

US00D548057S

(12) **United States Design Patent**
Kelleghan

(10) **Patent No.:** **US D548,057 S**

(45) **Date of Patent:** **** Aug. 7, 2007**

(54) **FISH WITH FEET SHAPED CARABINER**

(75) Inventor: **Brian James Kelleghan**, Longmont,
CO (US)

(73) Assignee: **Bison Designs, LLC**, Longmont, CO
(US)

(**) Term: **14 Years**

(21) Appl. No.: **29/246,388**

(22) Filed: **Apr. 6, 2006**

(51) **LOC (8) Cl.** **08-05**

(52) **U.S. Cl.** **D8/356**

(58) **Field of Classification Search** D8/356;
D20/24, 11, 10; D12/175; D11/99, 82, 81,
D11/26, 2, 141, 112, 100; D10/31, 3, 2;
D1/127, 126, 111, 107, 106; 24/599.1, 592.1,
24/573.11; D22/126; D7/676, 675; D23/261;
D26/38

See application file for complete search history.

(56) **References Cited**

U.S. PATENT DOCUMENTS

- D41,894 S 11/1911 Sommer
- D203,050 S 11/1965 Kurella
- D230,743 S 3/1974 Root
- D237,581 S 11/1975 Pasquale
- D238,244 S 12/1975 Pasquale
- D279,645 S 7/1985 Makris
- D286,425 S 10/1986 Haase
- 5,046,253 A 9/1991 Ireland
- D324,602 S 3/1992 Meyers, Jr.
- D325,068 S 3/1992 Gaury
- D334,696 S 4/1993 Makris
- D359,927 S 7/1995 Cook
- D382,226 S 8/1997 Howard
- D391,125 S * 2/1998 Morales D7/676
- D401,883 S 12/1998 Madhvani
- D418,209 S * 12/1999 Mauk D23/261
- D433,899 S 11/2000 Saffron et al.
- D442,305 S * 5/2001 Warden D26/38
- D448,276 S 9/2001 Kelleghan

- D451,774 S 12/2001 Kelleghan
- D452,122 S 12/2001 Hughes et al.
- D459,173 S 6/2002 Kelleghan
- D465,993 S 11/2002 Kelleghan
- D475,276 S 6/2003 Kelleghan
- D476,218 S 6/2003 Kelleghan
- D486,377 S 2/2004 Kelleghan
- D488,972 S 4/2004 Kelleghan
- D491,047 S 6/2004 Kelleghan
- D496,250 S 9/2004 Kelleghan
- D496,252 S 9/2004 Oas
- D500,648 S 1/2005 Kelleghan
- D518,360 S 4/2006 Kelleghan

OTHER PUBLICATIONS

Print out of website www.evolvefish.com/fish.darembhtml showing darwin fish car decal, Jul. 17, 2006.

* cited by examiner

Primary Examiner—Robert M. Spear

Assistant Examiner—Susan Bennett Hattan

(74) *Attorney, Agent, or Firm*—Margaret Polson; Patent Law Offices of Rick Martin, P.C.

(57) **CLAIM**

The ornamental design for a fish with feet shaped carabiner, as shown and described.

DESCRIPTION

FIG. 1 is a top or bottom plan view, which are mirror images, of my new design for an fish with feet shaped carabiner.

FIG. 2 is a rear side elevation view of FIG. 1.

FIG. 3 is a front side elevation view of FIG. 1.

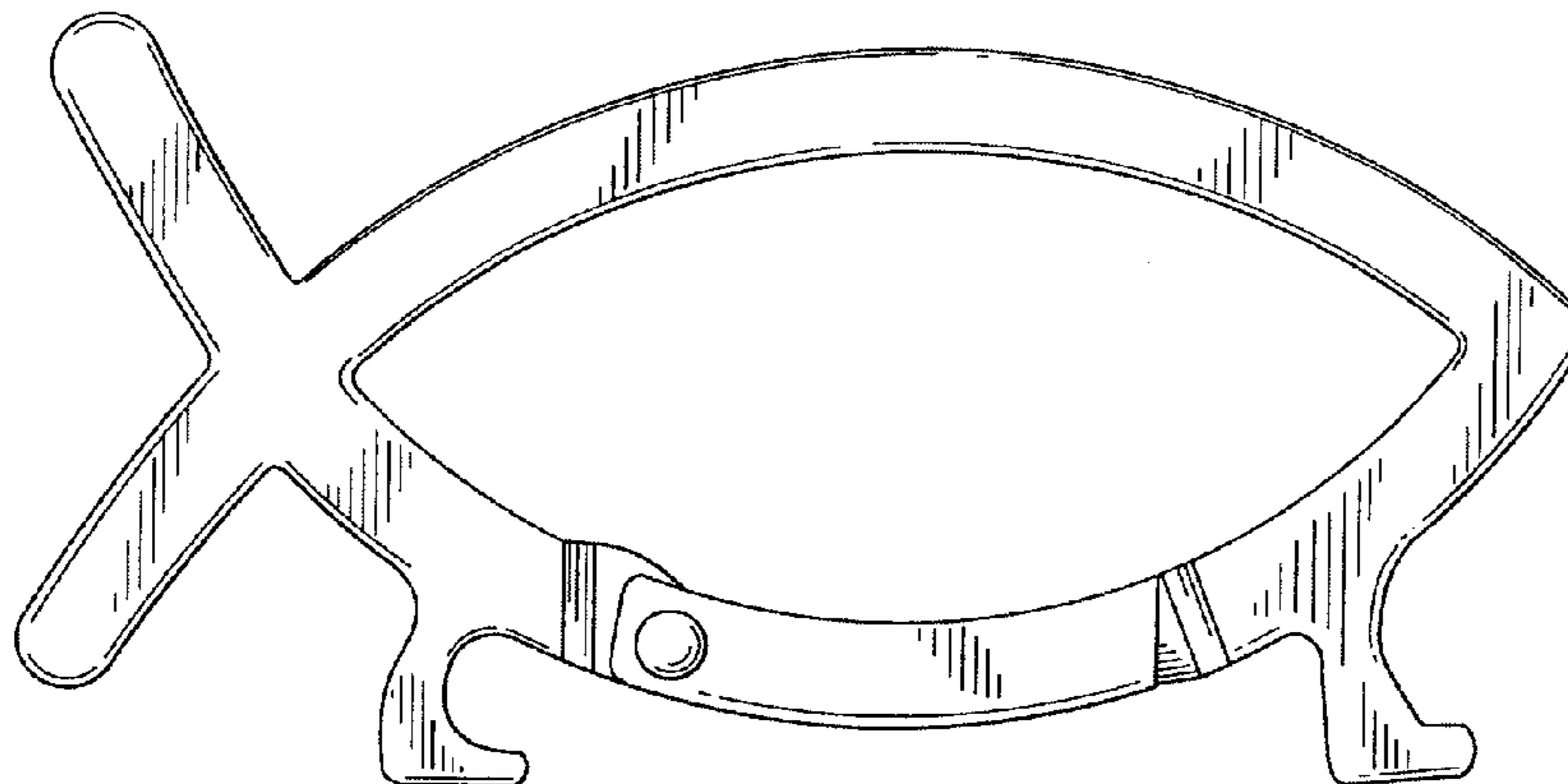
FIG. 4 is a right side elevation view of FIG. 1.

FIG. 5 is a left side elevation view of FIG. 1.

FIG. 6 is a top perspective view of FIG. 1; and,

FIG. 7 is a top perspective view of an alternate embodiment that differs from the first embodiment only in that it is made from rounded stock rather than a square stock.

1 Claim, 2 Drawing Sheets



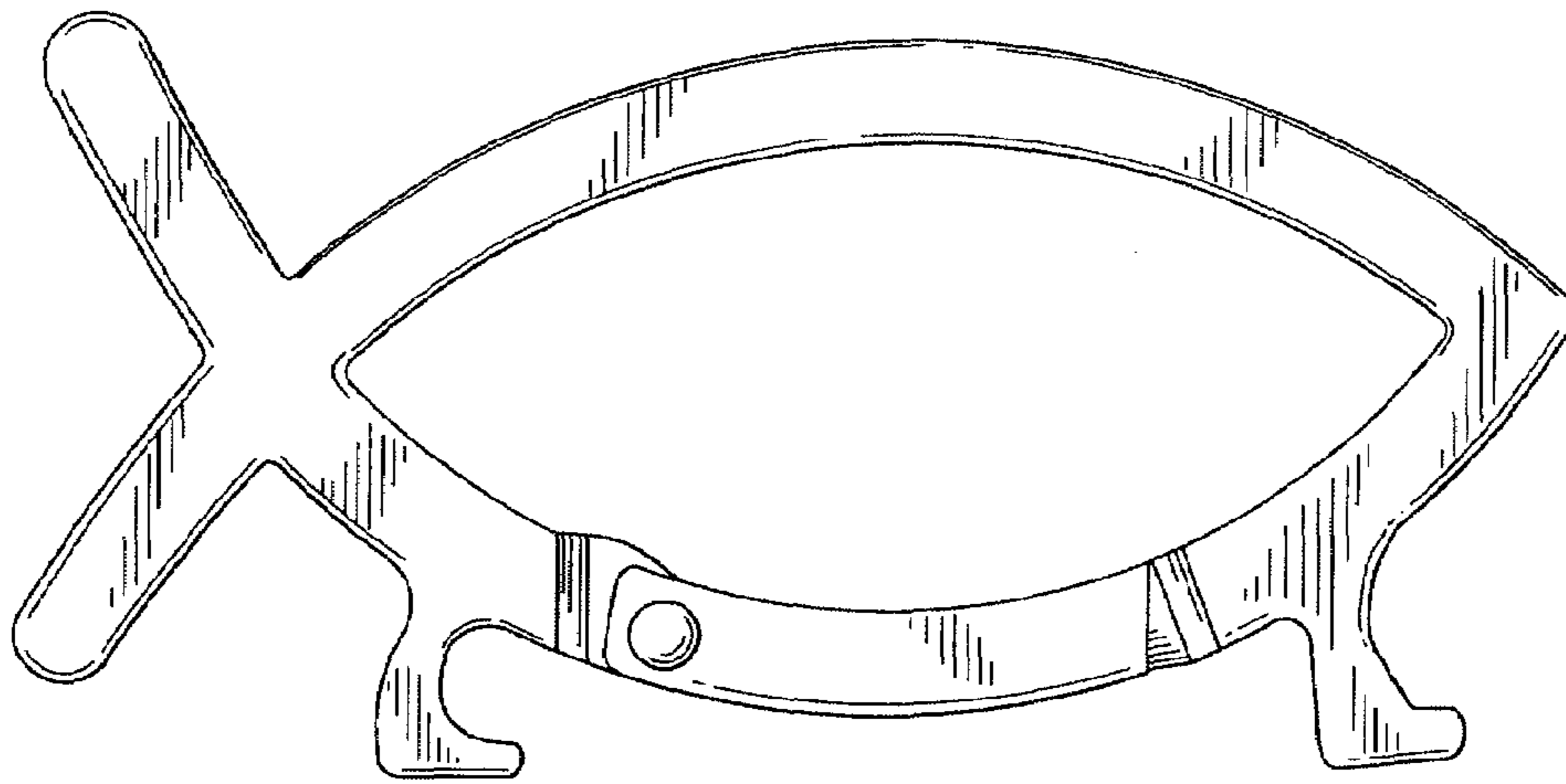


FIG. 1



FIG. 2

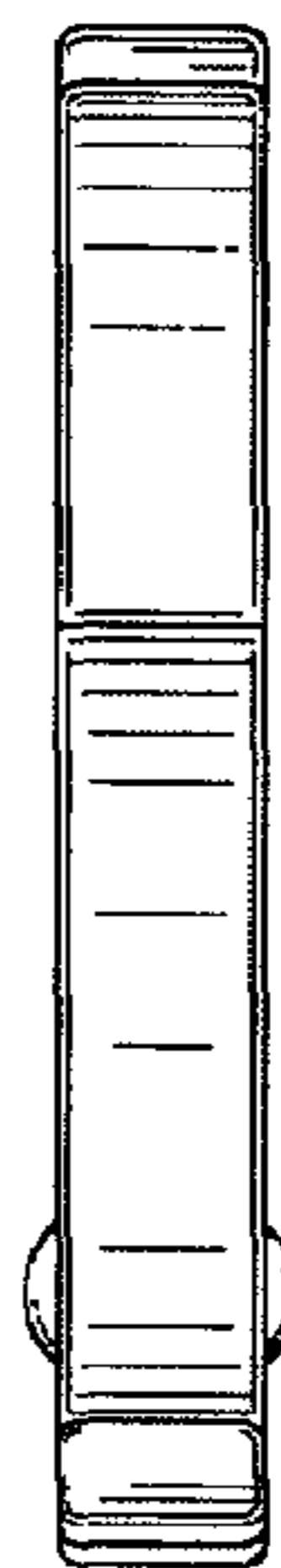


FIG. 3



FIG. 4



FIG. 5

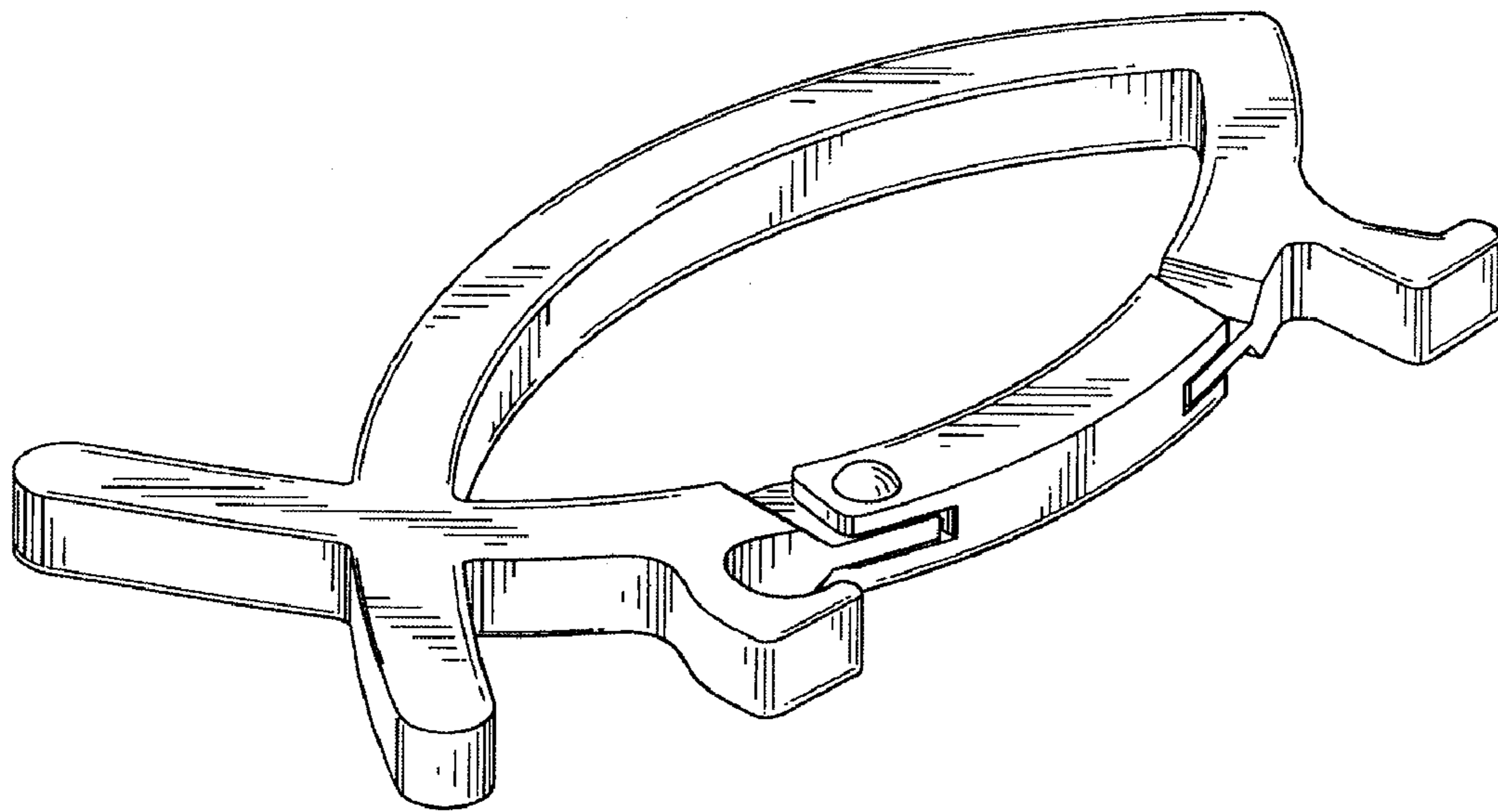


FIG. 6

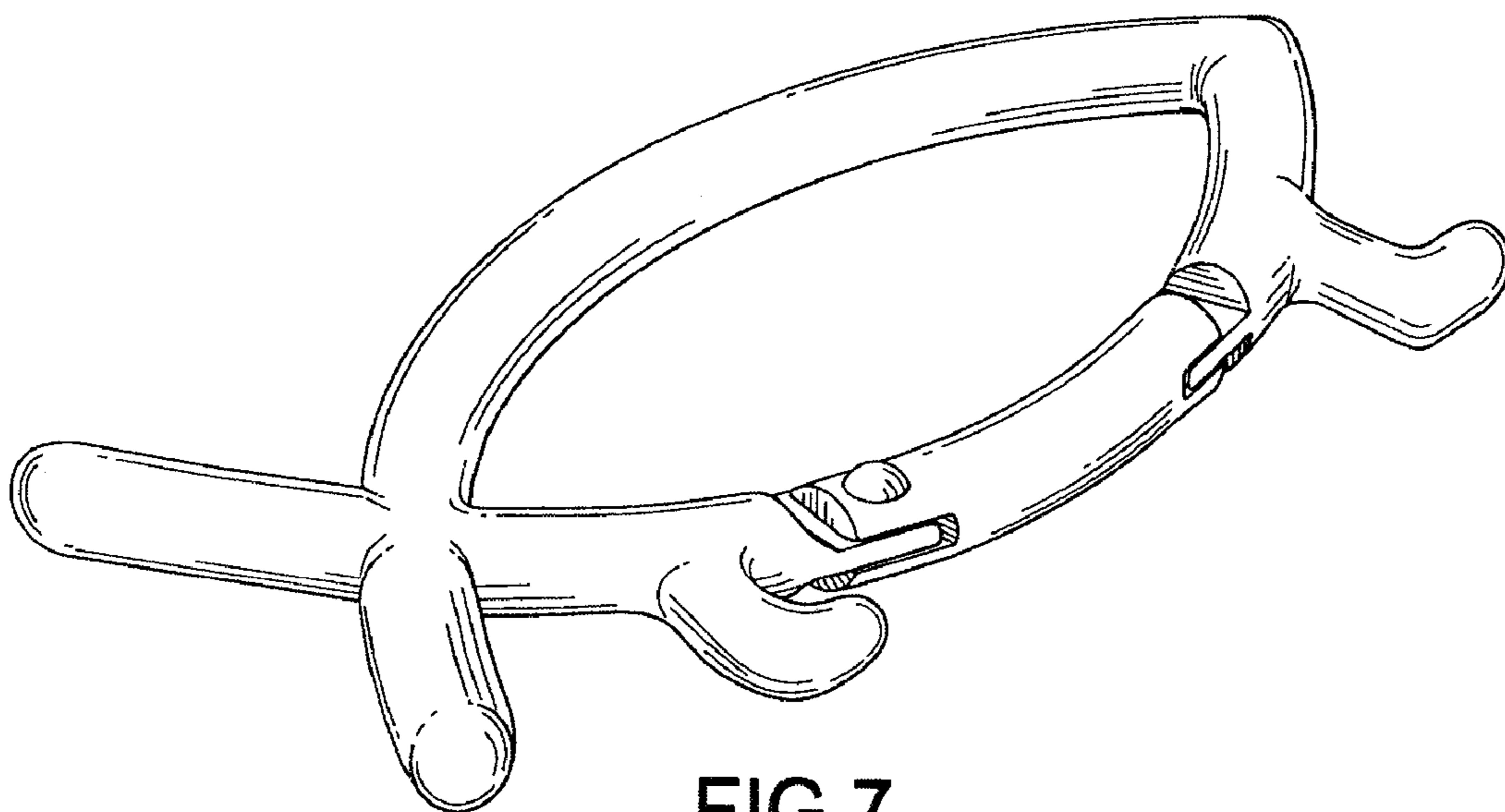


FIG. 7