



US00D548056S

(12) **United States Design Patent** (10) **Patent No.:** **US D548,056 S**
Erickson et al. (45) **Date of Patent:** **** Aug. 7, 2007**

(54) **REBAR STACKABLE CHAIR** 6,837,017 B2 1/2005 Hardy, Jr. et al. 52/685
6,925,771 B2 8/2005 Lee et al. 52/685
(75) Inventors: **John A Erickson**, Lindstrom, MN 2003/0000170 A1 1/2003 Sorkin 52/677
(US); **Kevin Anderson**, Lindstrom, MN 2004/0031228 A1 2/2004 Hardy, Jr. et al. 52/687
(US) 2004/0098942 A1 5/2004 Lee et al. 52/686
2004/0261352 A1 12/2004 Bennett et al. 52/698
(73) Assignee: **Eagle Eye Products, Inc.**, Shafer, MN 2005/0005564 A1 1/2005 Bennett et al. 52/677
(US) 2005/0102951 A1 5/2005 Bennett 52/633
2005/0210816 A1 9/2005 Kelly et al. 52/677
(**) Term: **14 Years** 2006/0032179 A1 2/2006 Lee et al. 52/686

FOREIGN PATENT DOCUMENTS

EP 0 082 737 4/1987

OTHER PUBLICATIONS

Product brochure from Conac Accessories, Inc. of Norcross, Georgia for U-FIX Slab Bolster and SEMIFIX-Beam Bolster. (1995).
Product brochure from Hammerl. (1992).
Product Brochure from Seifert. (1992).

* cited by examiner

Primary Examiner—Holly H. Baynham
(74) *Attorney, Agent, or Firm*—Moss & Barnett

(57) **CLAIM**

The ornamental design for a rebar stackable chair, as shown and described.

DESCRIPTION

FIG. 1 is a perspective top view of a rebar stackable chair. FIG. 2 is a first side view of a rebar stackable chair with second, third and fourth side views being an identical image thereof.

FIG. 3 is a top view of a rebar stackable chair. FIG. 4 is a bottom view of a rebar stackable chair; and, FIG. 5 is a perspective bottom view of a rebar stackable chair.

1 Claim, 1 Drawing Sheet

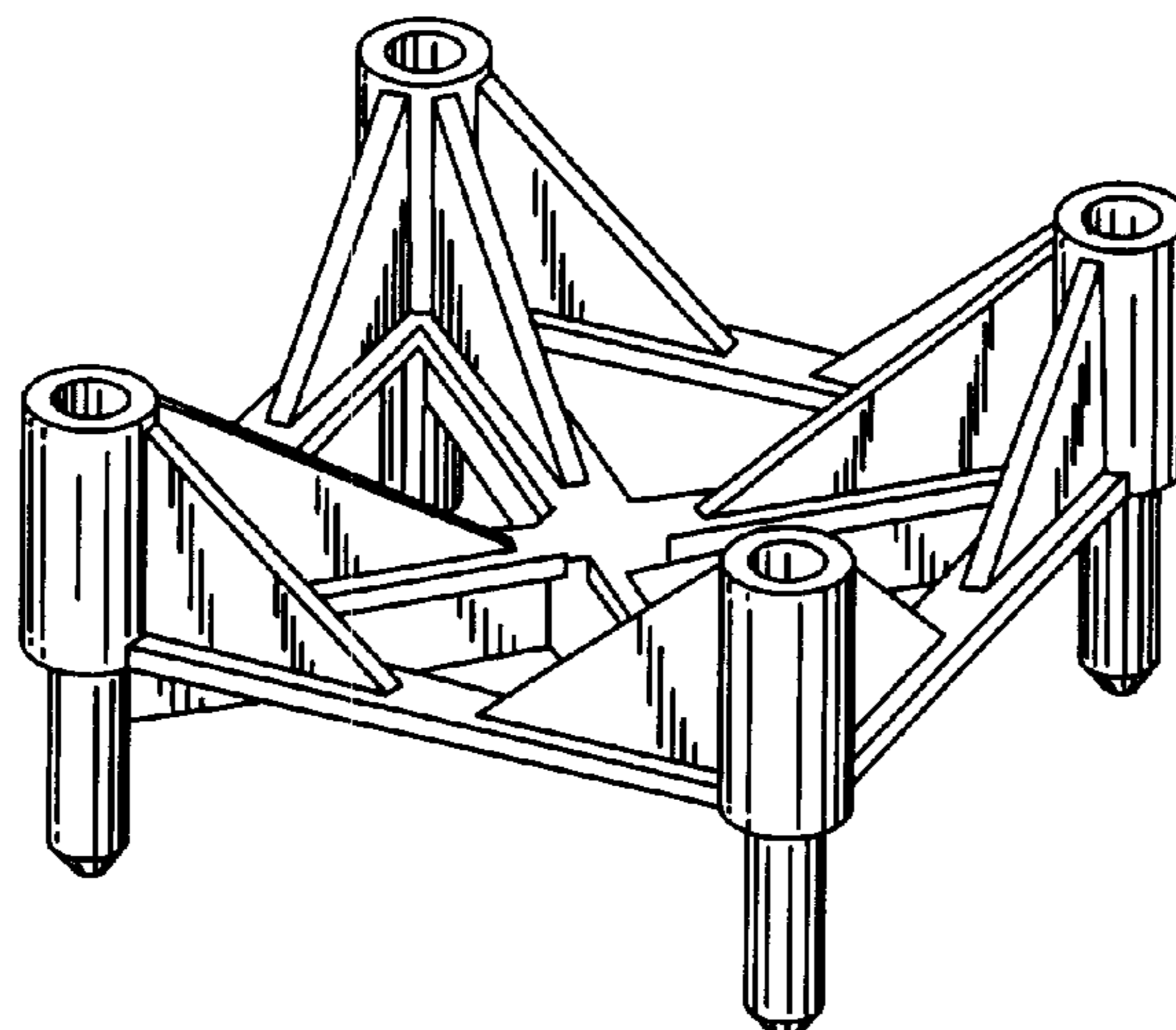
(21) Appl. No.: **29/258,896**
(22) Filed: **Apr. 28, 2006**

(51) **LOC (8) Cl.** **08-05**
(52) **U.S. Cl.** **D8/354**
(58) **Field of Classification Search** D8/354;
248/440; 52/685-687
See application file for complete search history.

(56) **References Cited**

U.S. PATENT DOCUMENTS

3,830,032 A 8/1974 Robb 52/687
4,060,954 A 12/1977 Liuzza 52/677
D271,846 S * 12/1983 Hernandez D8/356
4,598,523 A 7/1986 Tolliver 52/685
4,756,641 A * 7/1988 Hartzheim 404/136
D334,133 S 3/1993 Hartzheim D8/354
5,729,949 A 3/1998 Hartzheim 52/677
D394,200 S 5/1998 Hartzheim D8/354
5,893,252 A 4/1999 Hardy, Jr. et al. 52/685
D421,709 S 3/2000 Haslem et al. D8/354
D428,501 S 7/2000 Haslem et al. D25/199
6,089,522 A 7/2000 Haslem et al. 52/677
6,112,494 A 9/2000 Hardy, Jr. et al. 52/685
6,447,203 B1 9/2002 Ruiz et al. 404/70
6,557,317 B2 5/2003 Sorkin 52/684
6,684,594 B1 2/2004 Sorkin 52/685
6,684,595 B1 2/2004 Sorkin 52/685
D491,443 S * 6/2004 Lowery D8/354
D500,668 S * 1/2005 Kelly et al. D8/354



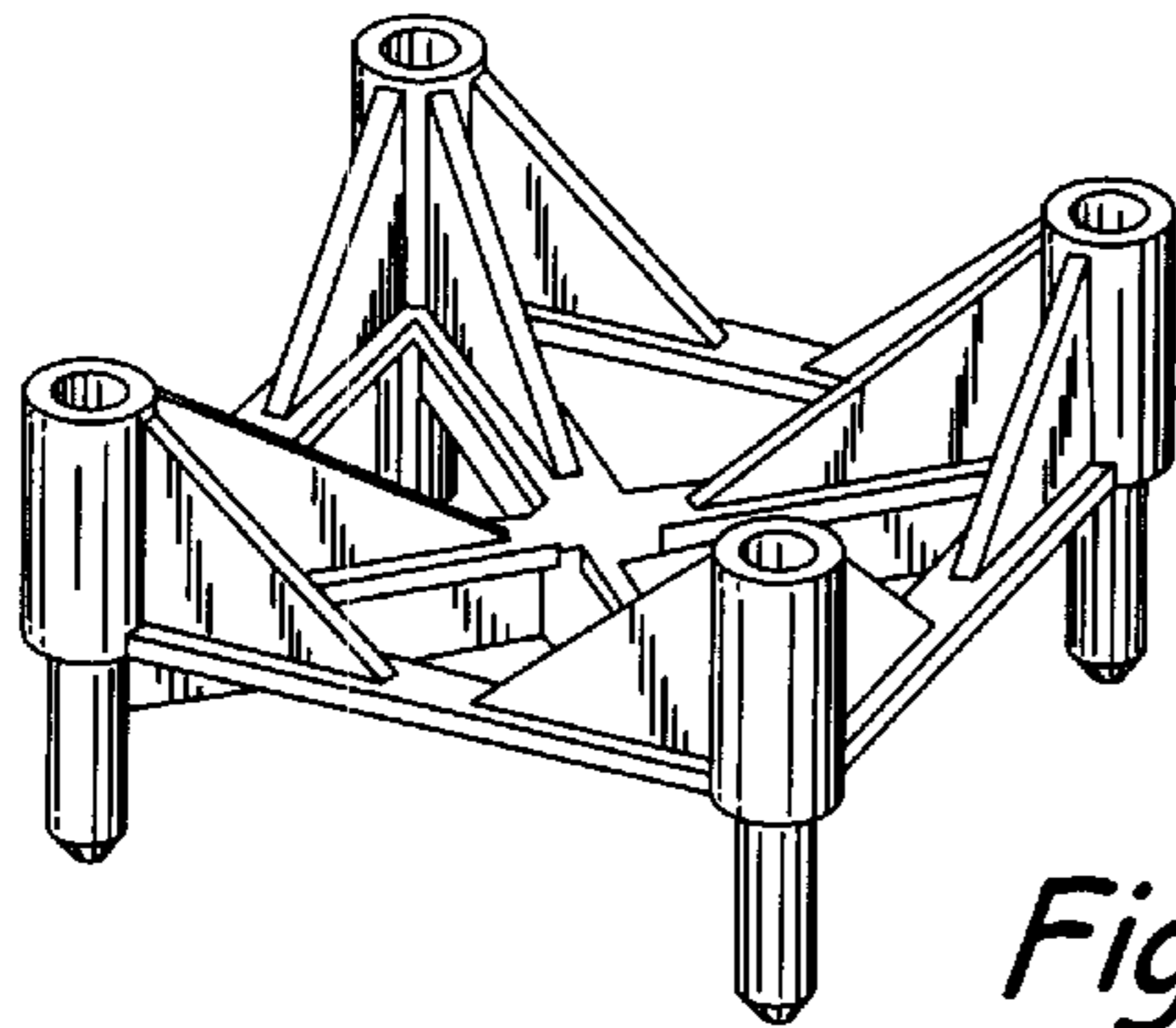


Fig. 1

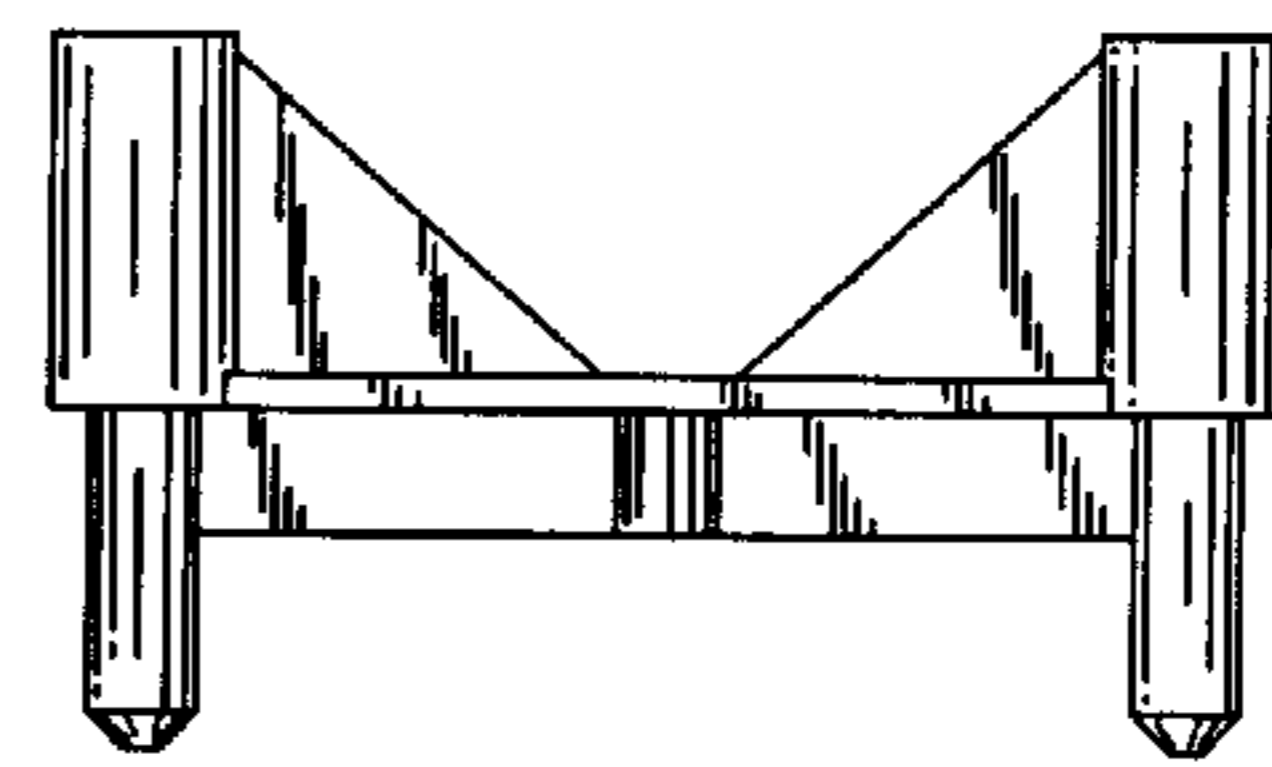


Fig. 2

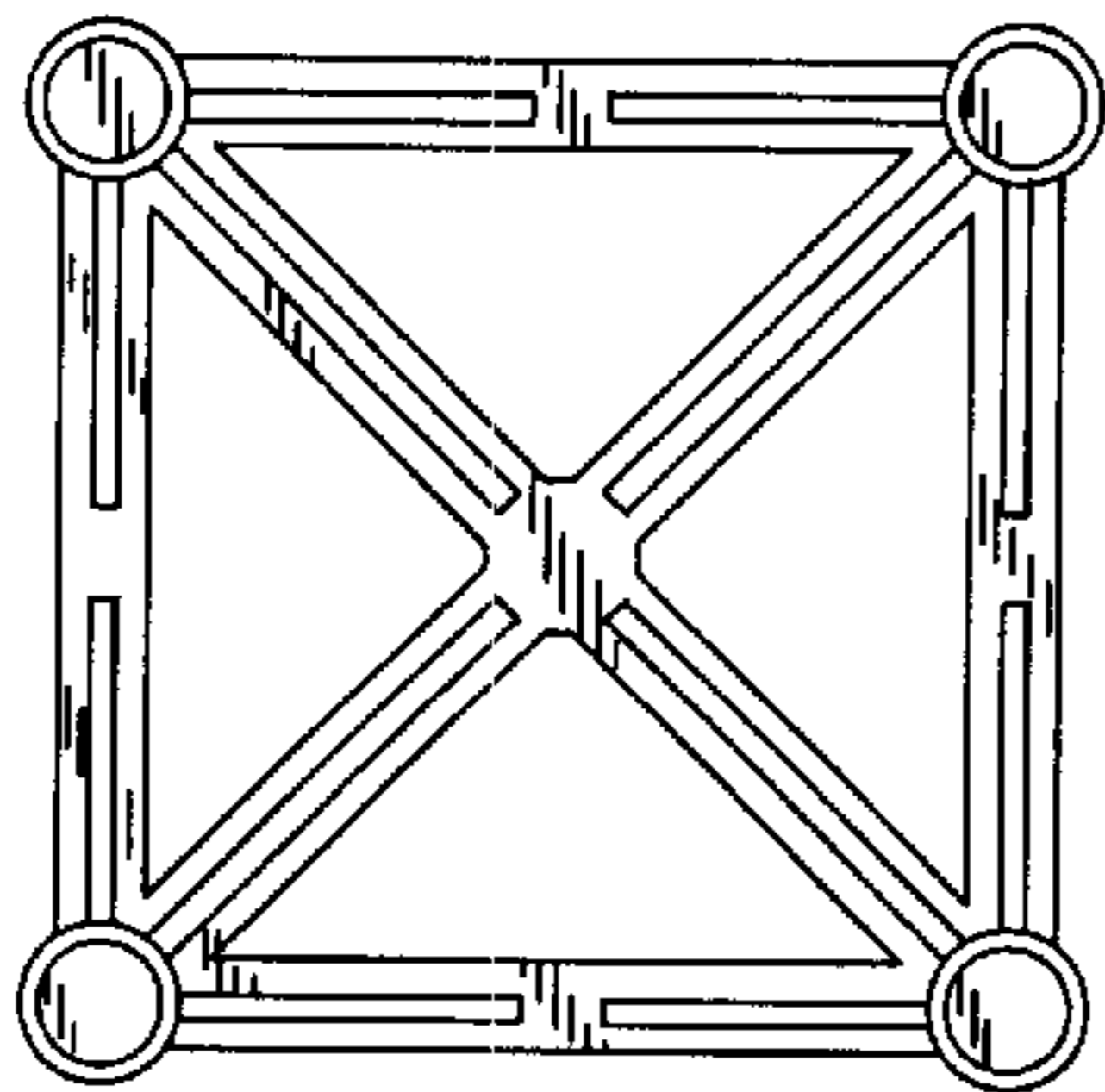


Fig. 3

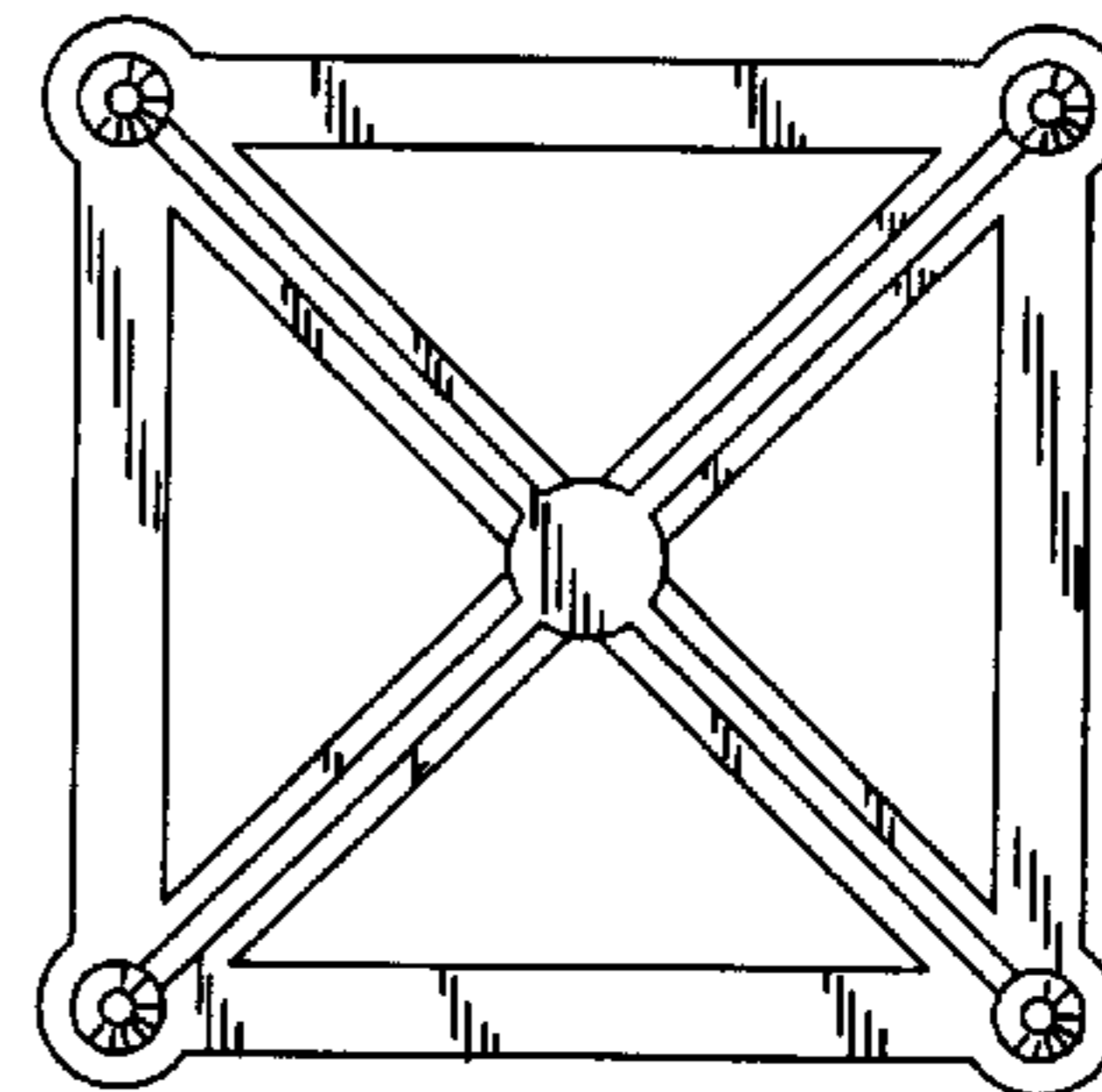


Fig. 4

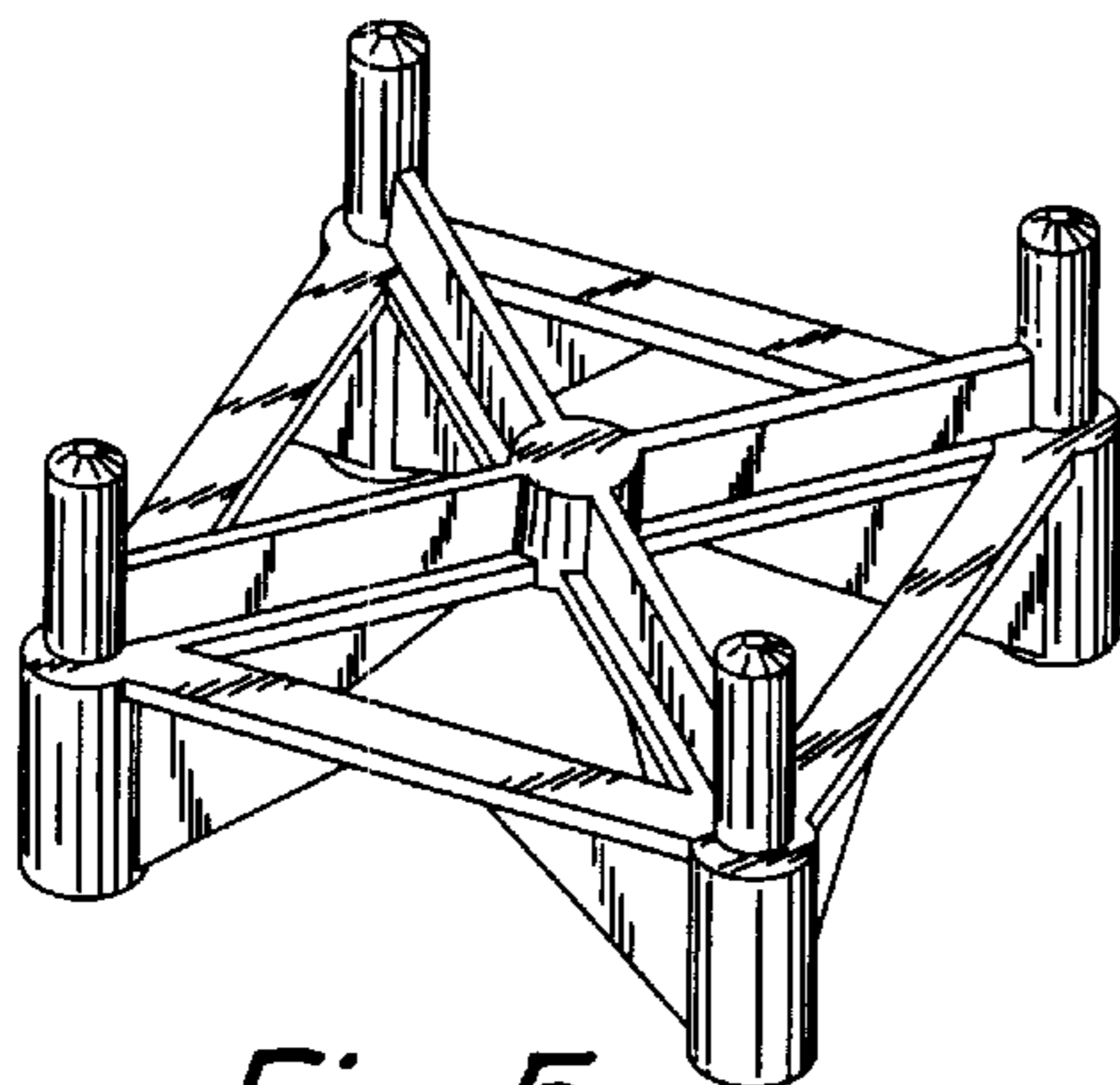


Fig. 5