



US00D548055S

(12) **United States Design Patent** (10) **Patent No.:** **US D548,055 S**  
**Erickson et al.** (45) **Date of Patent:** **\*\* Aug. 7, 2007**

(54) **REBAR CHAIR SUPPORT AND BASE**  
(75) Inventors: **John A Erickson**, Lindstrom, MN  
(US); **Kevin Anderson**, Lindstrom, MN  
(US)

4,117,639 A 10/1978 Steenson et al.  
4,127,352 A 11/1978 Peters  
4,132,045 A 1/1979 Sullivan  
4,159,605 A 7/1979 Ilukowicz

(Continued)

(73) Assignee: **Eagle Eye Products, Inc.**, Shafer, MA  
(US)

**OTHER PUBLICATIONS**

(\*\*) **Term:** **14 Years**

(21) **Appl. No.:** **29/234,975**

(22) **Filed:** **Jul. 26, 2005**

(51) **LOC (8) Cl.** ..... **08-05**

(52) **U.S. Cl.** ..... **D8/354**

(58) **Field of Classification Search** ..... D8/354;  
248/440; 52/685-687

See application file for complete search history.

Product brochure from International Plastics, Corp. of Nicholasville, Kentucky for Slab/Beam Bolster. (1991).  
Product brochure from Conac Accessories, Inc. of Norcross, Georgia for U-Fix Slab Bolster and Semifix-Beam Bolster. (1995).  
Product brochure from Medco Steel Products for Reinforcing Bar Supports. (Jan. 2, 1996).  
Product brochure from Hammerl. (a1992).  
Product brochure from Seifert. (1992).  
Product brochure from Spillman of Columbus, Ohio for Slab Bolster. (Apr. 1994).  
Product brochure from Guenette in Quebec, Canada for Reinforcing Steel Support. (Nov. 1988).  
Product brochure from Seifert Abstandhalter for a telefix with connecting device (1976).  
Web site <http://www.bamtec.com/zubehoerde.html> (viewed May 5, 2005).

(56) **References Cited**

**U.S. PATENT DOCUMENTS**

1,561,323 A \* 11/1925 Gregg ..... 52/687  
1,672,176 A 6/1928 Schumacher et al.  
1,871,809 A 8/1932 Lampert  
3,255,565 A 6/1966 Menzel  
3,512,331 A 5/1970 Palmer  
3,529,392 A \* 9/1970 Adams ..... 52/687  
3,693,310 A 9/1972 Middleton  
3,788,025 A 1/1974 Holmes  
3,830,032 A 8/1974 Robb  
D239,592 S 4/1976 Anderson  
3,950,911 A 4/1976 Fox, Jr.  
3,996,713 A 12/1976 Haeussler  
4,007,572 A 2/1977 Ilukowicz  
4,034,529 A 7/1977 Lampus  
4,060,954 A 12/1977 Liuzza  
D246,826 S 1/1978 Ilukowicz  
4,073,114 A 2/1978 Irish  
4,074,486 A 2/1978 Grearson  
4,085,559 A 4/1978 Ilukowicz  
4,087,947 A 5/1978 Turner  
4,107,895 A 8/1978 LeGrady  
4,110,951 A 9/1978 Padrun

*Primary Examiner*—Holly H. Baynham  
(74) *Attorney, Agent, or Firm*—Moss & Barnett

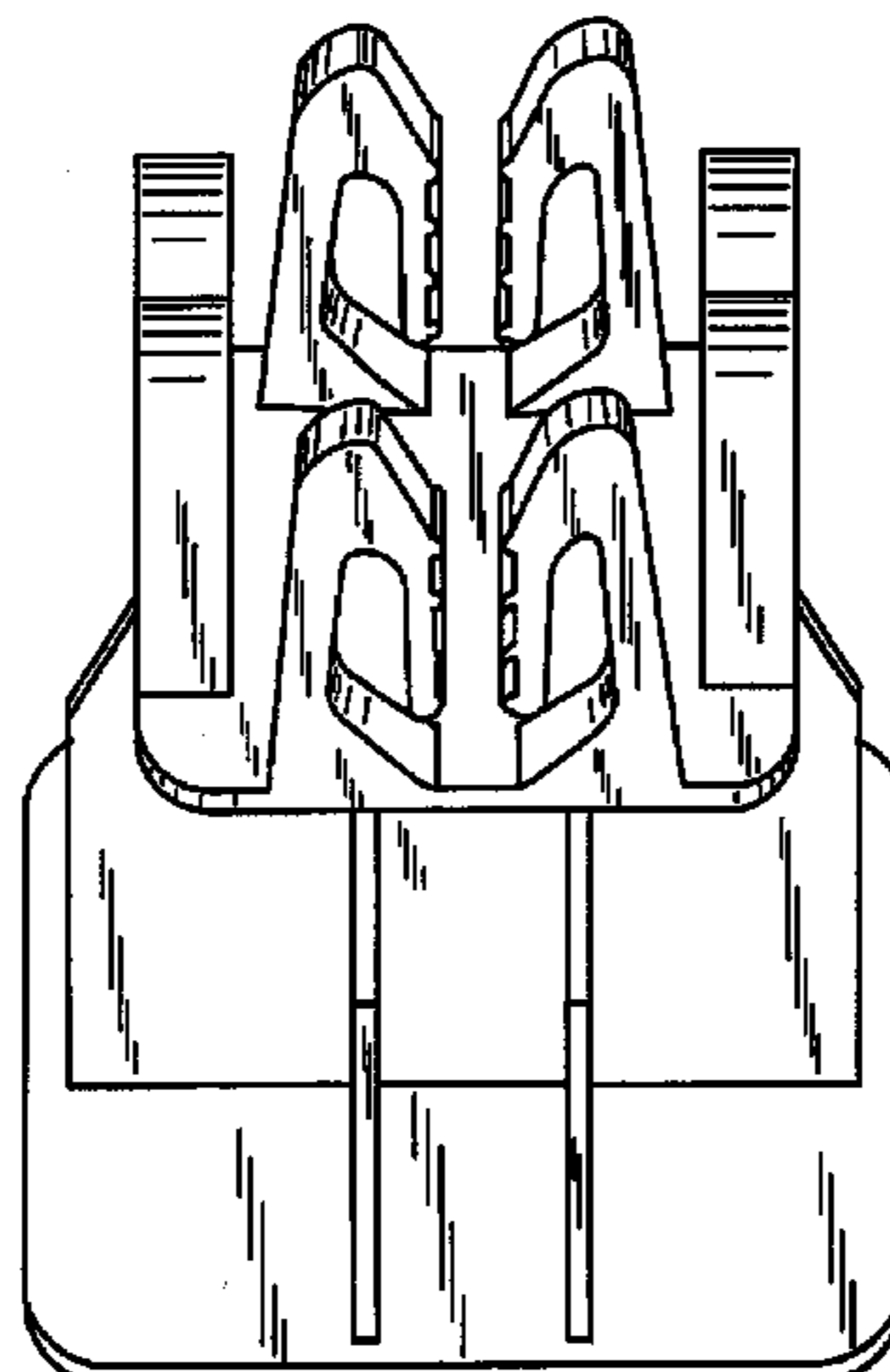
(57) **CLAIM**

The ornamental design for a rebar chair support and base, as shown and described.

**DESCRIPTION**

FIG. 1 is a perspective view of a rebar chair support and base.  
FIG. 2 is a first side view of a rebar chair support and base with a second side view being an identical image thereof.  
FIG. 3 is a front view of a rebar chair support and base with a rear view being a mirror image thereof.  
FIG. 4 is a top view of a rebar chair support and base; and, FIG. 5 is a bottom view of a rebar chair support and base.

**1 Claim, 4 Drawing Sheets**



# US D548,055 S

U.S. PATENT DOCUMENTS					
			5,216,866 A	6/1993	Ekedal
			5,269,113 A	12/1993	Dreizler
4,166,347 A	9/1979	Pohlmann et al.	5,291,715 A	3/1994	Basile
D254,168 S	2/1980	Ilukowicz	5,301,485 A	4/1994	Shaw et al.
4,190,999 A	3/1980	Hampton	5,323,582 A	6/1994	Watson
4,193,573 A	3/1980	Kinnucan, Jr.	5,337,532 A	8/1994	Reid
4,251,971 A	2/1981	Unthank	5,351,457 A	10/1994	Colen
4,261,156 A	4/1981	Fromont et al.	D352,231 S	11/1994	Van de Peer
4,290,245 A	9/1981	Pardue, Jr. et al.	5,363,618 A	11/1994	Underwood
4,296,584 A	10/1981	Lempa, Jr.	5,371,991 A	12/1994	Bechtel et al.
4,301,638 A	11/1981	Schmidgall	D354,218 S	1/1995	Van de Peer
D262,093 S	12/1981	Bush et al.	D354,672 S	1/1995	Van de Peer
4,318,262 A	3/1982	Uehara	5,400,562 A	3/1995	Bahr
4,334,397 A	6/1982	Hitz	5,408,799 A	4/1995	Ron et al.
4,342,441 A	8/1982	Maebara et al.	5,419,055 A	5/1995	Meadows
4,359,848 A	11/1982	Haeussler	5,421,136 A	6/1995	Van De Peer
4,388,791 A	6/1983	Anderson	D361,710 S	8/1995	Boeshart
4,394,201 A	7/1983	Haeussler	D363,657 S	10/1995	Kassardjian et al.
D271,846 S	* 12/1983	Hernandez ..... D8/356	5,456,051 A	10/1995	Queen et al.
4,434,597 A	3/1984	Fischer	5,509,636 A	4/1996	Contugno
4,445,308 A	5/1984	Taylor	5,555,693 A	9/1996	Sorkin
4,452,026 A	6/1984	Tolliver	5,561,957 A	10/1996	Gauthier
4,463,538 A	8/1984	Dragunas	5,595,039 A	1/1997	Lowery
4,466,222 A	8/1984	Mitchell	D378,049 S	2/1997	Boeshart
4,498,270 A	2/1985	Ilukowicz	5,598,682 A	2/1997	Haughian
D279,164 S	6/1985	Mitchell et al.	5,626,436 A	5/1997	Dragone
D279,352 S	6/1985	Mitchell et al.	D383,373 S	9/1997	Boeshart
4,524,553 A	6/1985	Hacker	5,664,389 A	9/1997	Williams
4,562,672 A	1/1986	Westplate	5,664,390 A	9/1997	Sorkin
4,575,985 A	3/1986	Eckenrodt	5,699,642 A	12/1997	McDevitt, Jr.
4,598,523 A	7/1986	Tolliver	5,729,949 A	3/1998	Hartzheim
4,601,447 A	7/1986	McFarland	D393,997 S	5/1998	Hartzheim
4,610,122 A	9/1986	De Clercq	5,762,300 A	6/1998	Sorkin
4,617,775 A	10/1986	Padrun	5,791,095 A	8/1998	Sorkin
4,640,063 A	2/1987	Ayala	5,791,816 A	8/1998	McCallion
4,642,960 A	2/1987	Wallover, III	5,809,722 A	9/1998	Bertsche
4,644,727 A	2/1987	Hanson et al.	5,819,493 A	10/1998	LeMoignan
4,655,023 A	4/1987	Yung	5,822,946 A	10/1998	Rasmussen
4,689,867 A	9/1987	Tolliver	5,832,690 A	11/1998	Kaines
4,702,048 A	10/1987	Millman	5,878,546 A	3/1999	Westover
4,739,598 A	4/1988	Jensen et al.	5,884,439 A	3/1999	Hess, III et al.
4,742,655 A	5/1988	Kovasna	5,893,252 A	4/1999	Hardy, Jr. et al.
4,744,190 A	5/1988	Couwenbergs et al.	5,981,050 A	11/1999	Kaempfen et al.
4,748,785 A	6/1988	Wheeler	D425,403 S	5/2000	Medina
4,756,641 A	* 7/1988	Hartzheim ..... 404/136	6,076,780 A	6/2000	Honnecke et al.
4,765,106 A	8/1988	Modrovich	6,088,991 A	7/2000	Nassef
4,800,702 A	1/1989	Wheeler	6,089,522 A	7/2000	Haslem et al.
4,803,825 A	2/1989	Wheeler	D429,624 S	8/2000	Johnson
4,831,803 A	5/1989	Leonardis	6,112,494 A	9/2000	Hardy, Jr. et al.
4,833,850 A	5/1989	Lunn	6,115,987 A	9/2000	Tatum
4,833,857 A	5/1989	Wheeler	6,119,432 A	9/2000	Niemann
4,835,933 A	6/1989	Yung	6,123,745 A	9/2000	Hess, III et al.
4,835,934 A	6/1989	Swenson	6,141,937 A	11/2000	Dressler
4,848,052 A	7/1989	Nützel	6,161,360 A	12/2000	Smith
4,854,106 A	8/1989	Bogar	6,178,716 B1	1/2001	Chen
4,901,498 A	2/1990	Gerwick, Jr.	6,212,848 B1	4/2001	Cooper
4,928,472 A	5/1990	Chang	D443,197 S	6/2001	Padrun
4,939,883 A	7/1990	Swenson	D444,244 S	6/2001	McPherson et al.
4,942,714 A	7/1990	Langley, Jr. et al.	D445,668 S	7/2001	Hills, Sr.
4,948,943 A	8/1990	Brückner	6,276,108 B1	8/2001	Padrun
4,953,340 A	9/1990	Anderson	6,282,860 B1	9/2001	Ramirez
4,989,388 A	2/1991	Schmidgall et al.	6,311,453 B1	11/2001	Mechnick
4,996,816 A	3/1991	Wiebe	6,327,822 B1	12/2001	Il Grande
4,999,965 A	3/1991	Schmidgall et al.	6,341,452 B1	1/2002	Bollinghaus
5,014,485 A	5/1991	Chang	6,345,474 B1	2/2002	Triplett
5,058,348 A	10/1991	Westhed	D454,776 S	3/2002	Padrun
5,107,654 A	4/1992	Leonardis	6,354,054 B1	3/2002	Verelli et al.
D330,504 S	10/1992	Collins	6,363,679 B1	4/2002	Rutherford
D330,846 S	11/1992	Woolledge et al.	6,385,938 B1	5/2002	Gavin
5,181,363 A	1/1993	Leach et al.	D468,188 S	1/2003	Foster, Jr.
D334,133 S	3/1993	Hartzheim	6,502,361 B1	1/2003	Hills, Sr.
5,212,920 A	5/1993	Tye			



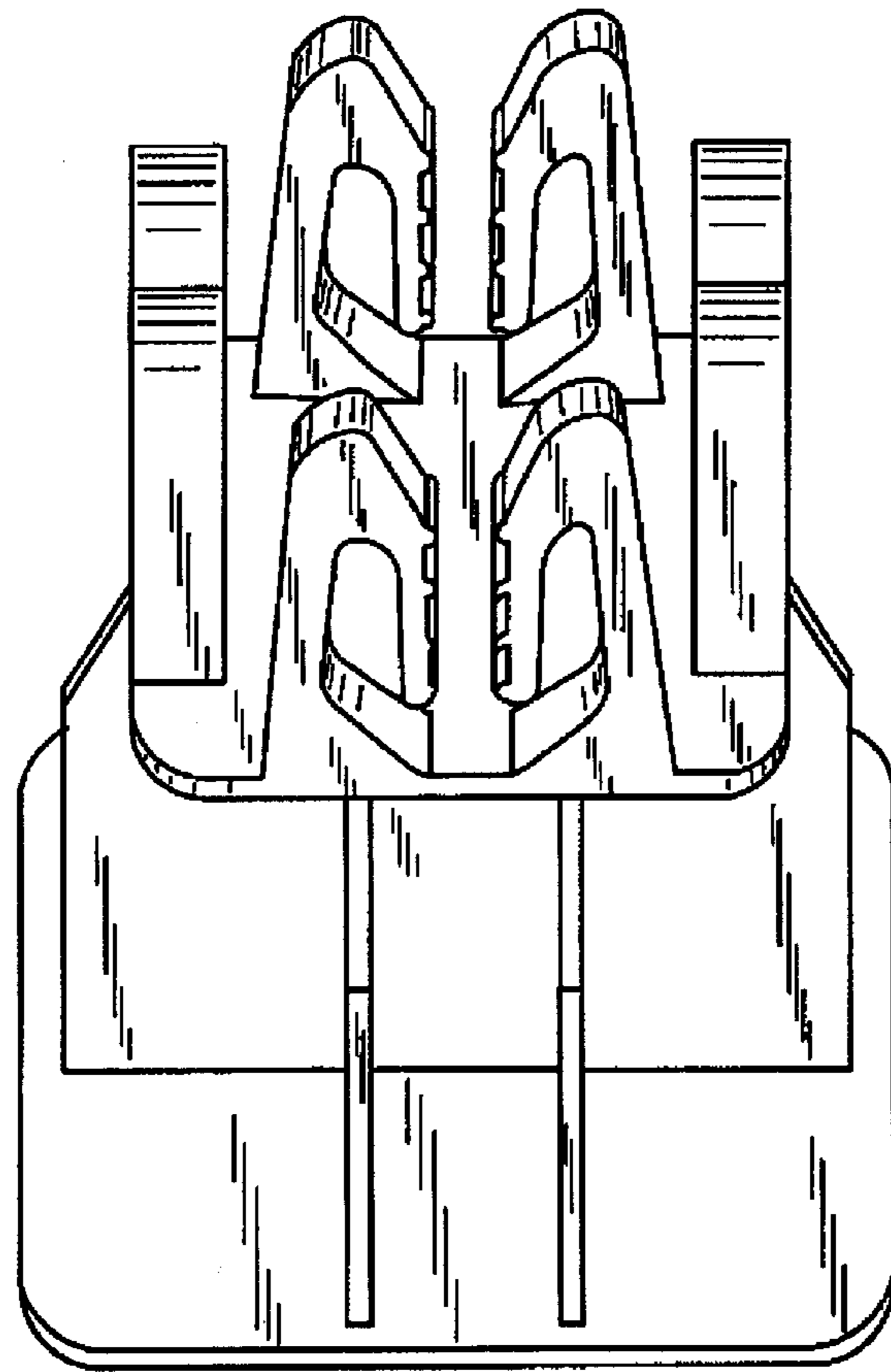
# US D548,055 S

Page 3

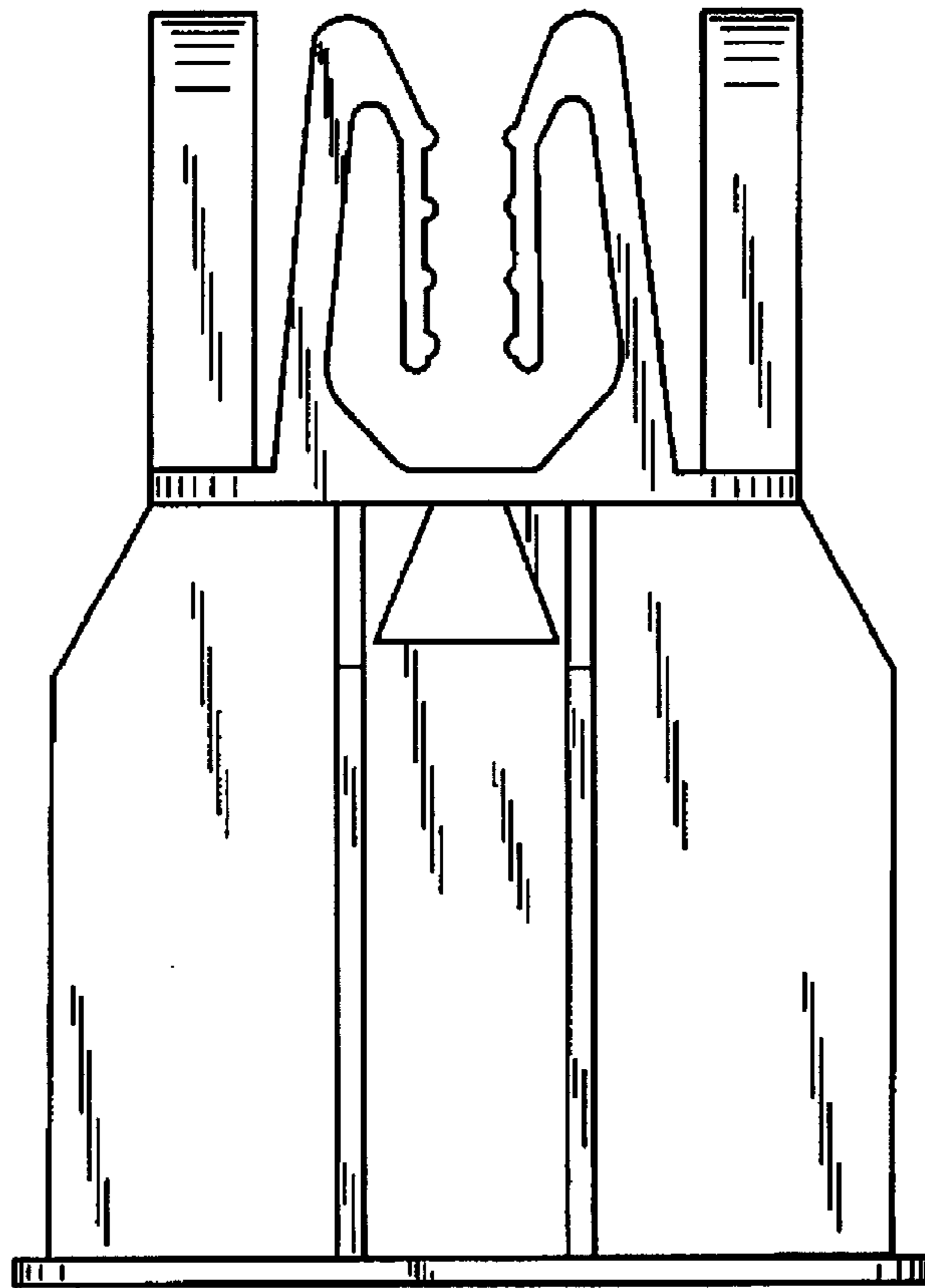
---

6,557,317 B2	5/2003	Sorkin	6,772,571 B1	8/2004	Sorkin
6,571,526 B2	6/2003	Queen	6,775,954 B1	8/2004	Sorkin
6,591,574 B2	7/2003	Humphrey	D500,668 S *	1/2005	Kelly et al. .... D8/354
6,622,446 B1	9/2003	Ziegler	6,837,017 B2	1/2005	Hardy, Jr. et al.
D480,290 S	10/2003	Gonzales	6,857,235 B2	2/2005	Niday et al.
6,637,171 B1	10/2003	Toone	6,866,445 B2	3/2005	Semler
D483,246 S	12/2003	McPherson et al.	6,871,462 B2	3/2005	Azizinzmini
6,655,105 B2	12/2003	Swenson	6,871,471 B1	3/2005	Davidson
6,663,316 B1	12/2003	Harris	6,883,289 B2	4/2005	Juedes et al.
6,684,594 B1	2/2004	Sorkin	2004/0031228 A1	2/2004	Hardy, Jr. et al.
6,684,595 B1	2/2004	Sorkin	2004/0098942 A1 *	5/2004	Lee et al. .... 52/686
6,722,097 B2	4/2004	Haslem et al.	2004/0107668 A1	6/2004	Haslem et al.
6,735,918 B2	5/2004	Haslem et al.			
6,739,805 B2	5/2004	Shotton			
D491,443 S *	6/2004	Lowery ..... D8/354			

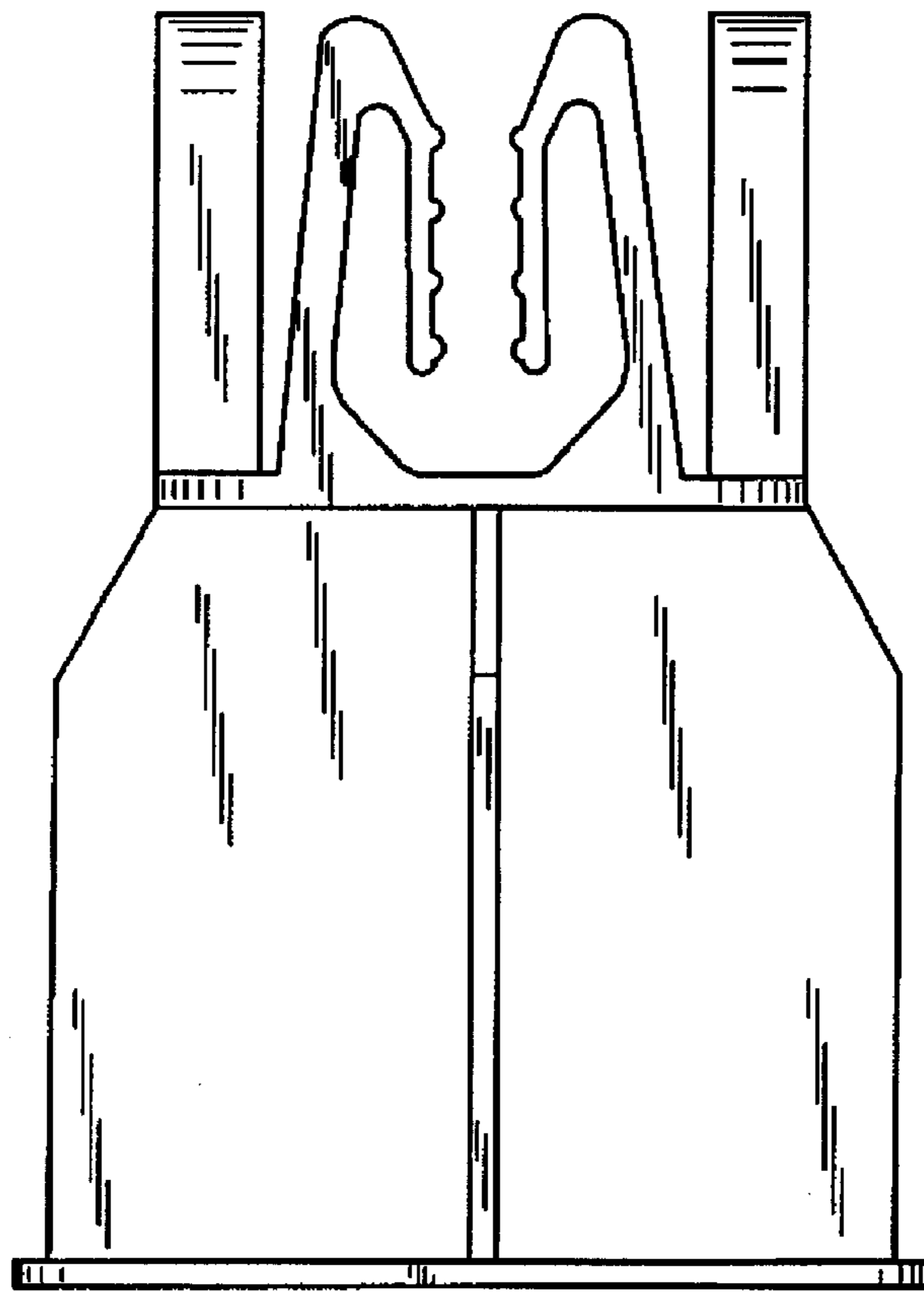
\* cited by examiner



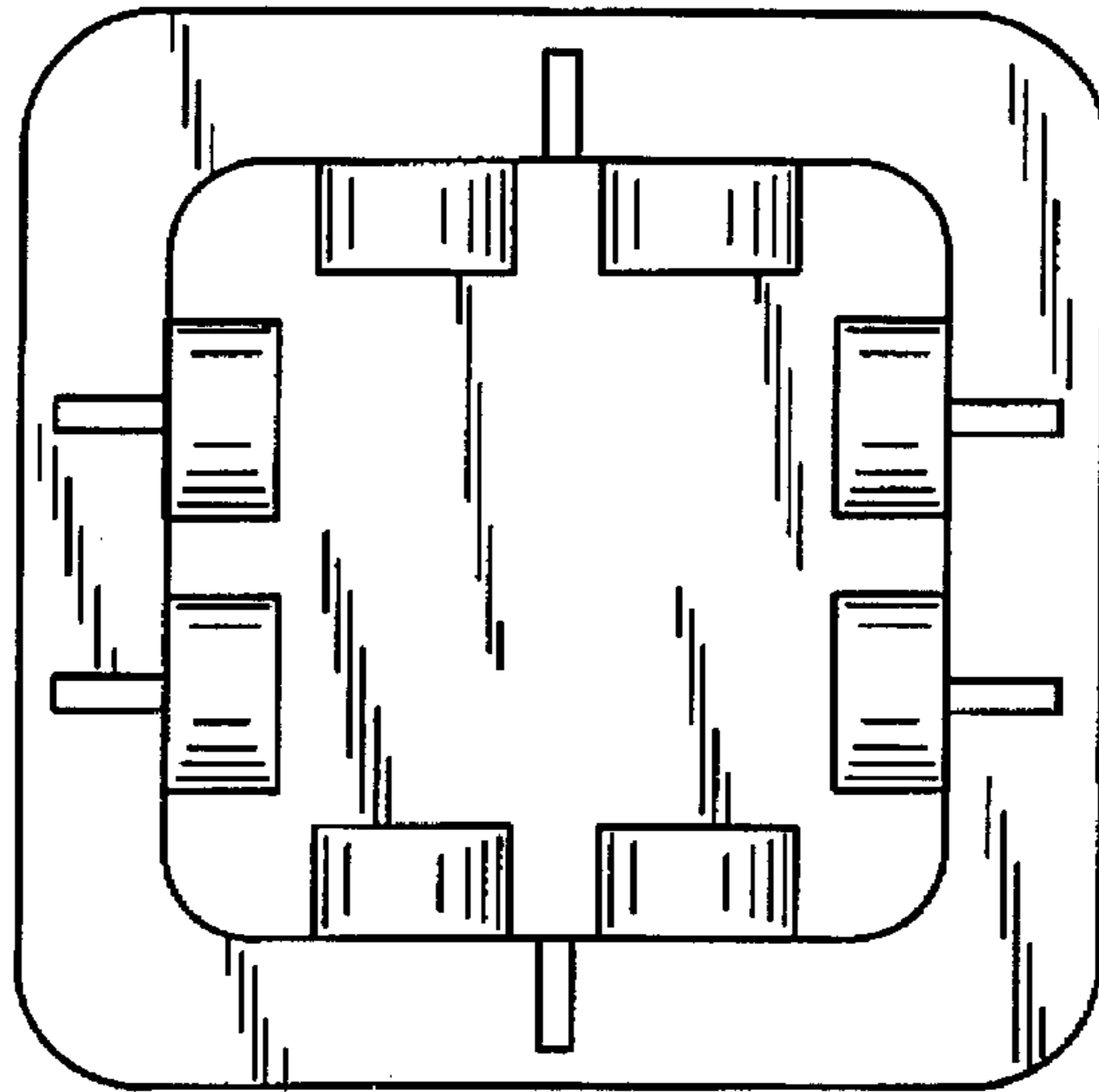
*Fig. 1*



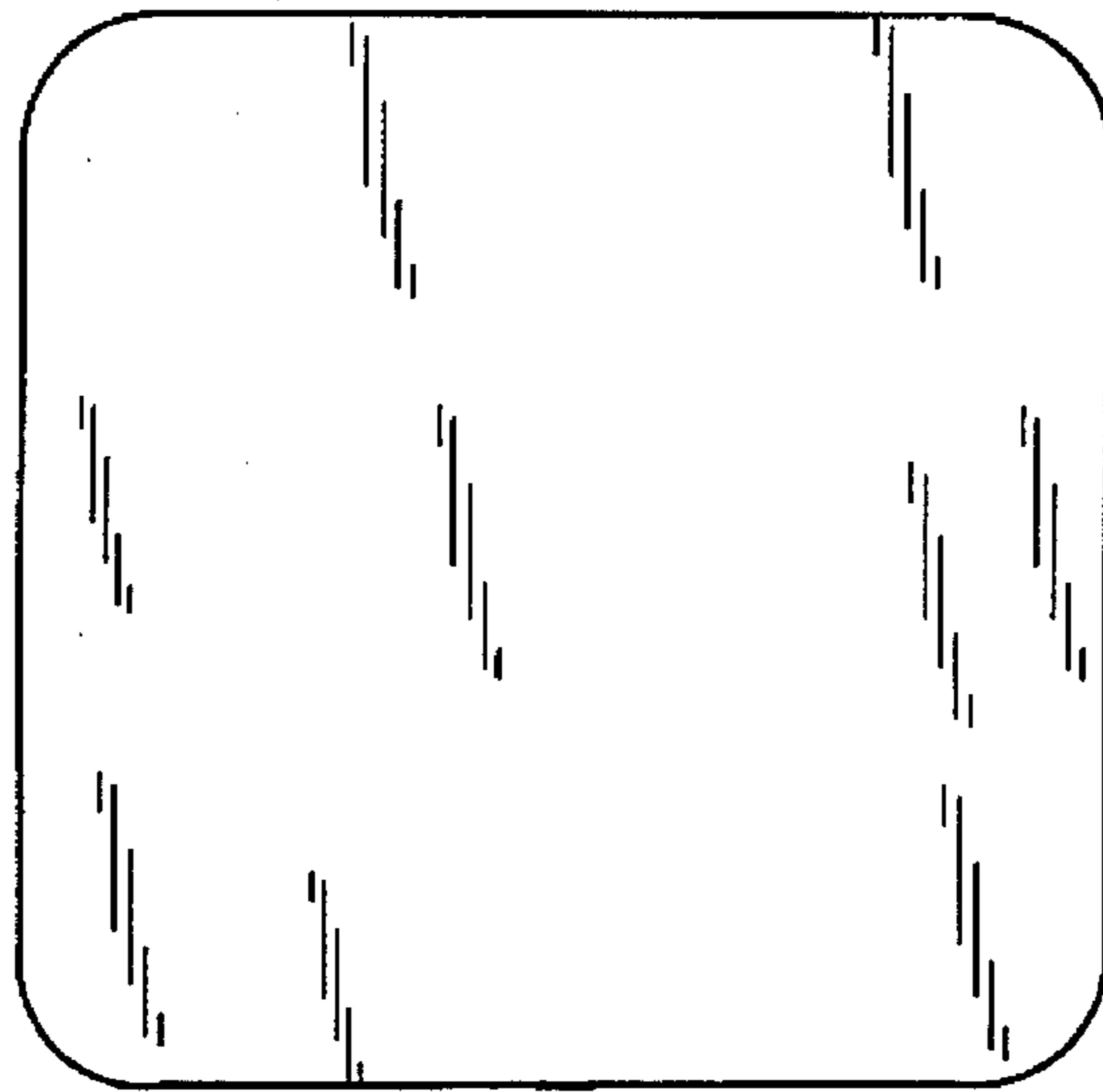
*Fig. 2*



*Fig. 3*



*Fig. 4*



*Fig. 5*