



US00D548054S

(12) **United States Design Patent** (10) **Patent No.:** **US D548,054 S**
Erickson et al. (45) **Date of Patent:** **** Aug. 7, 2007**

(54) **REBAR FOOTING BOLSTER**
(75) Inventors: **John A Erickson**, Lindstrom, MN
(US); **Kevin Anderson**, Lindstrom, MN
(US)

4,117,639 A 10/1978 Steenson et al.
4,127,352 A 11/1978 Peters
4,132,045 A 1/1979 Sullivan
4,159,605 A 7/1979 Ilukowicz

(Continued)

(73) Assignee: **Eagle Eye Products, Inc.**, Shafer, MN
(US)

OTHER PUBLICATIONS

(**) **Term:** **14 Years**

Product brochure from International Plastics, Corp. of Nicholasville, Kentucky for Slab/Beam Bolster. (1991).
Product brochure from Conac Accessories, Inc. of Norcross, Georgia for U-FIX Slab Bolster and SEMIFIX-Beam Bolster. (1995).
Product brochure from Medco Steel Products for Reinforcing Bar Supports. (Jan. 2, 1996).
Product brochure from Hammerl. (a1992).
Product brochure from Seifert. (1992).
Product brochure from Spillman of Columbus, Ohio for Slab Bolster. (Apr. 1994).
Product brochure from Guenette in Quebec, Canada for Reinforcing Steel Support. (Nov. 1988).
Product from brochure from Seifert Abstandhalter for a telefix with connecting device (1976).
Web site <http://www.bamtec.com/zubehoerde.html> (viewed May 5, 2005).

(21) Appl. No.: **29/234,974**

(22) Filed: **Jul. 26, 2005**

(51) **LOC (8) Cl.** **08-05**

(52) **U.S. Cl.** **D8/354**

(58) **Field of Classification Search** D8/354;
248/440; 52/685-687

See application file for complete search history.

(56) **References Cited**

U.S. PATENT DOCUMENTS

1,561,323 A	*	11/1925	Gregg	52/687
1,672,176 A		6/1928	Schumacher et al.	
1,871,809 A		8/1932	Lampert	
3,255,565 A		6/1966	Menzel	
3,512,331 A		5/1970	Palmer	
3,529,392 A	*	9/1970	Adams	52/687
3,693,310 A		9/1972	Middleton	
3,788,025 A		1/1974	Holmes	
3,830,032 A		8/1974	Robb	
D239,592 S		4/1976	Anderson	
3,950,911 A		4/1976	Fox, Jr.	
3,996,713 A		12/1976	Haeussler	
4,007,572 A		2/1977	Ilukowicz	
4,034,529 A		7/1977	Lampus	
4,060,954 A		12/1977	Liuzza	
D246,826 S		1/1978	Ilukowicz	
4,073,114 A		2/1978	Irish	
4,074,486 A		2/1978	Grearson	
4,085,559 A		4/1978	Ilukowicz	
4,087,947 A		5/1978	Turner	
4,107,895 A		8/1978	LeGrady	
4,110,951 A		9/1978	Padrun	

Primary Examiner—Holly H. Baynham
(74) *Attorney, Agent, or Firm*—Moss & Barnett

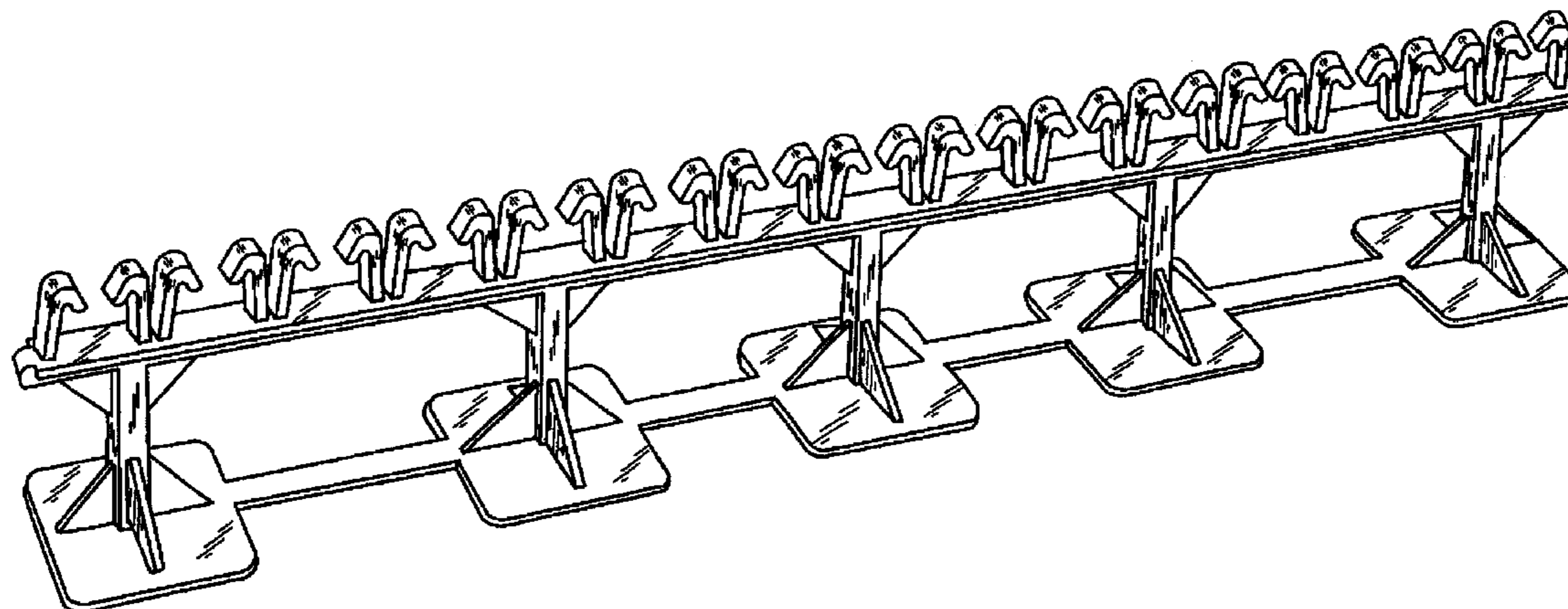
(57) **CLAIM**

The ornamental design for a rebar footing bolster, as shown and described.

DESCRIPTION

FIG. 1 is a perspective view of a bolster.
FIG. 2 is a first side view of a bolster with a second side view being an identical image thereof.
FIG. 3 is a top view of a bolster.
FIG. 4 is a bottom view of a bolster; and,
FIG. 5 is a first end view of a bolster with a second end view being a mirror image thereof.

1 Claim, 3 Drawing Sheets



US D548,054 S

Page 2

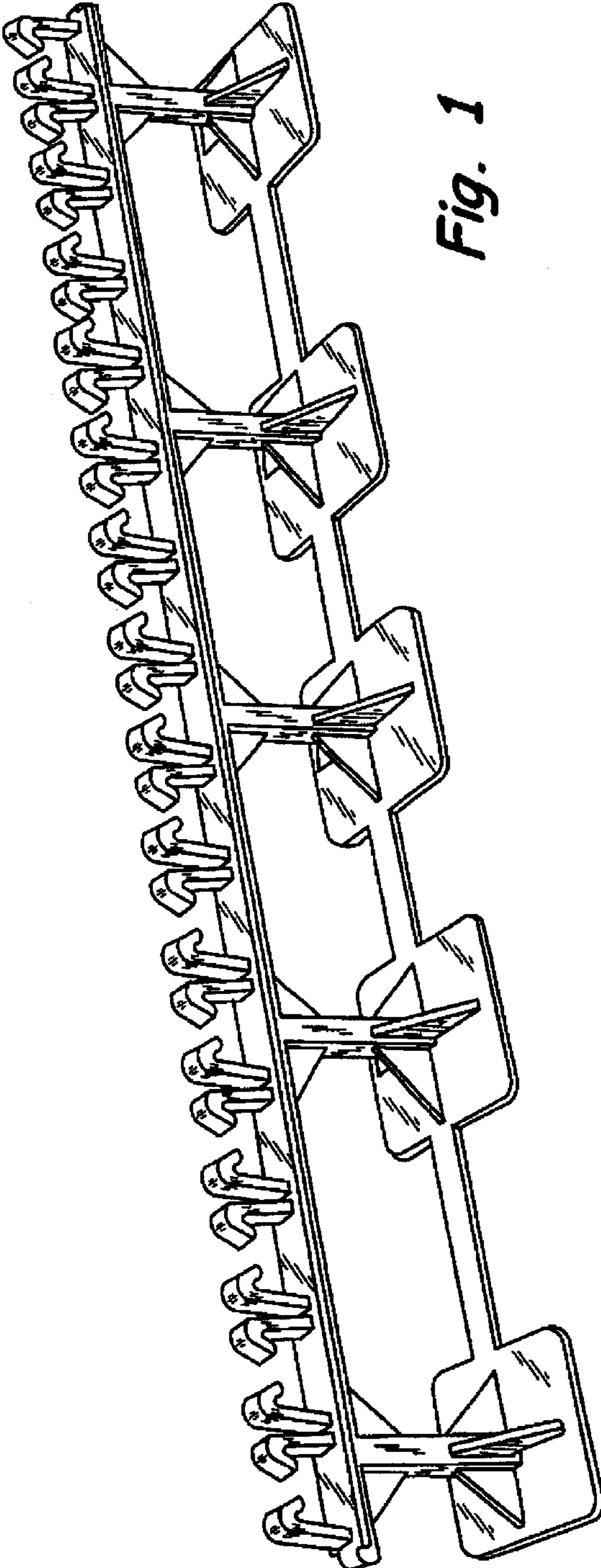
U.S. PATENT DOCUMENTS					
4,166,347 A	9/1979	Pohlmann et al.	5,291,715 A	3/1994	Basile
D254,168 S	2/1980	Ilukowicz	5,301,485 A	4/1994	Shaw et al.
4,190,999 A	3/1980	Hampton	5,323,582 A	6/1994	Watson
4,193,573 A	3/1980	Kinnucan, Jr.	5,337,532 A	8/1994	Reid
4,251,971 A	2/1981	Unthank	5,351,457 A	10/1994	Colen
4,261,156 A	4/1981	Fromont et al.	D352,231 S	11/1994	Van de Peer
4,290,245 A	9/1981	Pardue, Jr. et al.	5,363,618 A	11/1994	Underwood
4,296,584 A	10/1981	Lempa, Jr.	5,371,991 A	12/1994	Bechtel et al.
4,301,638 A	11/1981	Schmidgall	D354,218 S	1/1995	Van de Peer
D262,093 S	12/1981	Bush et al.	D354,672 S	1/1995	Van de Peer
4,318,262 A	3/1982	Uehara	5,400,562 A	3/1995	Bahr
4,334,397 A	6/1982	Hitz	5,408,799 A	4/1995	Ron et al.
4,342,441 A	8/1982	Maebara et al.	5,419,055 A	5/1995	Meadows
4,359,848 A	11/1982	Haeussler	5,421,136 A	6/1995	Van De Peer
4,388,791 A	6/1983	Anderson	D361,710 S	8/1995	Boeshart
4,394,201 A	7/1983	Haeussler	D363,657 S	10/1995	Kassardjian et al.
4,434,597 A	3/1984	Fischer	5,456,051 A	10/1995	Queen et al.
4,445,308 A	5/1984	Taylor	5,509,636 A	4/1996	Cotugno
4,452,026 A	6/1984	Tolliver	5,555,693 A	9/1996	Sorkin
4,463,538 A	8/1984	Dragunas	5,561,957 A	10/1996	Gauthier
4,466,222 A	8/1984	Mitchell	5,595,039 A	1/1997	Lowery
4,498,270 A	2/1985	Ilukowicz	D378,049 S	2/1997	Boeshart
D279,164 S	6/1985	Mitchell et al.	5,598,682 A	2/1997	Haughian
D279,352 S	6/1985	Mitchell et al.	5,626,436 A	5/1997	Dragone
4,524,553 A	6/1985	Hacker	D383,373 S	9/1997	Boeshart
4,562,672 A	1/1986	Westplate	5,664,389 A	9/1997	Williams
4,575,985 A	3/1986	Eckenrodt	5,664,390 A	9/1997	Sorkin
4,598,523 A	7/1986	Tolliver	5,699,642 A	12/1997	McDevitt, Jr.
4,601,447 A	7/1986	McFarland	5,729,949 A	3/1998	Hartzheim
4,610,122 A	9/1986	De Clercq	D393,997 S	5/1998	Hartzheim
4,617,775 A	10/1986	Padrun	5,762,300 A	6/1998	Sorkin
4,640,063 A	2/1987	Ayala	5,791,095 A	8/1998	Sorkin
4,642,960 A	2/1987	Wallover, III	5,791,816 A	8/1998	McCallion
4,644,727 A	2/1987	Hanson et al.	5,809,722 A	9/1998	Bertsche
4,655,023 A	4/1987	Yung	5,819,493 A	10/1998	LeMoignan
4,689,867 A	9/1987	Tolliver	5,822,946 A	10/1998	Rasmussen
4,702,048 A	10/1987	Millman	5,832,690 A	11/1998	Kaines
4,739,598 A	4/1988	Jensen et al.	5,878,546 A	3/1999	Westover
4,742,655 A	5/1988	Kovasna	5,884,439 A	3/1999	Hess, III et al.
4,744,190 A	5/1988	Couwenbergs et al.	5,893,252 A	4/1999	Hardy, Jr. et al.
4,748,785 A	6/1988	Wheeler	5,981,050 A	11/1999	Kaempfen et al.
4,765,106 A	8/1988	Modrovich	D425,403 S	5/2000	Medina
4,800,702 A	1/1989	Wheeler	6,076,780 A	6/2000	Honnecke et al.
4,803,825 A	2/1989	Wheeler	6,088,991 A	7/2000	Nassef
4,831,803 A	5/1989	Leonardis	6,089,522 A	7/2000	Haslem et al.
4,833,850 A	5/1989	Lunn	D429,624 S	8/2000	Johnson
4,833,857 A	5/1989	Wheeler	6,112,494 A	9/2000	Hardy, Jr. et al.
4,835,933 A	6/1989	Yung	6,115,987 A	9/2000	Tatum
4,835,934 A	6/1989	Swenson	6,119,432 A	9/2000	Niemann
4,848,052 A	7/1989	Nützel	6,123,745 A	9/2000	Hess, III et al.
4,854,106 A	8/1989	Bogar	6,141,937 A	11/2000	Dressler
4,901,498 A	2/1990	Gerwick, Jr.	6,161,360 A	12/2000	Smith
4,928,472 A	5/1990	Chang	6,178,716 B1	1/2001	Chen
4,939,883 A	7/1990	Swenson	6,212,848 B1	4/2001	Cooper
4,942,714 A	7/1990	Langley, Jr. et al.	D443,197 S	6/2001	Padrun
4,948,943 A	8/1990	Brückner	D444,244 S	6/2001	McPherson et al.
4,953,340 A	9/1990	Anderson	D445,668 S	7/2001	Hills, Sr.
4,989,388 A	2/1991	Schmidgall et al.	6,276,108 B1	8/2001	Padrun
4,996,816 A	3/1991	Wiebe	6,282,860 B1	9/2001	Ramirez
4,999,965 A	3/1991	Schmidgall et al.	6,311,453 B1	11/2001	Mechnick
5,014,485 A	5/1991	Chang	6,327,822 B1	12/2001	Il Grande
5,058,348 A	10/1991	Westhed	6,341,452 B1	1/2002	Bollinghaus
5,107,654 A	4/1992	Leonardis	6,345,474 B1	2/2002	Triplett
D330,504 S	10/1992	Collins	D454,776 S	3/2002	Padrun
D330,846 S	11/1992	Woolledge et al.	6,354,054 B1	3/2002	Verelli et al.
5,181,363 A	1/1993	Leach et al.	6,363,679 B1	4/2002	Rutherford
D334,133 S	3/1993	Hartzheim	6,385,938 B1	5/2002	Gavin
5,212,920 A	5/1993	Tye	D468,188 S	1/2003	Foster, Jr.
5,216,866 A	6/1993	Ekedal	6,502,361 B1	1/2003	Hills, Sr.
5,269,113 A	12/1993	Dreizler	6,557,317 B2	5/2003	Sorkin
			6,571,526 B2	6/2003	Queen

US D548,054 S

Page 3

6,591,574 B2	7/2003	Humphrey	6,772,571 B1	8/2004	Sorkin
6,622,446 B1	9/2003	Ziegler	6,775,954 B1	8/2004	Sorkin
D480,290 S	10/2003	Gonzales	6,837,017 B2	1/2005	Hardy, Jr. et al.
6,637,171 B1	10/2003	Toone	6,857,235 B2	2/2005	Niday et al.
D483,246 S	12/2003	McPherson et al.	6,866,445 B2	3/2005	Semler
6,655,105 B2	12/2003	Swenson	6,871,462 B2	3/2005	Azizinzmini
6,663,316 B1	12/2003	Harris	6,871,471 B1	3/2005	Davidson
6,684,594 B1	2/2004	Sorkin	6,883,289 B2	4/2005	Juedes et al.
6,684,595 B1	2/2004	Sorkin	2004/0031228 A1	2/2004	Hardy, Jr. et al.
6,722,097 B2	4/2004	Haslem et al.	2004/0107668 A1	6/2004	Haslem et al.
6,735,918 B2	5/2004	Haslem et al.			
6,739,805 B2	5/2004	Shotton			

* cited by examiner



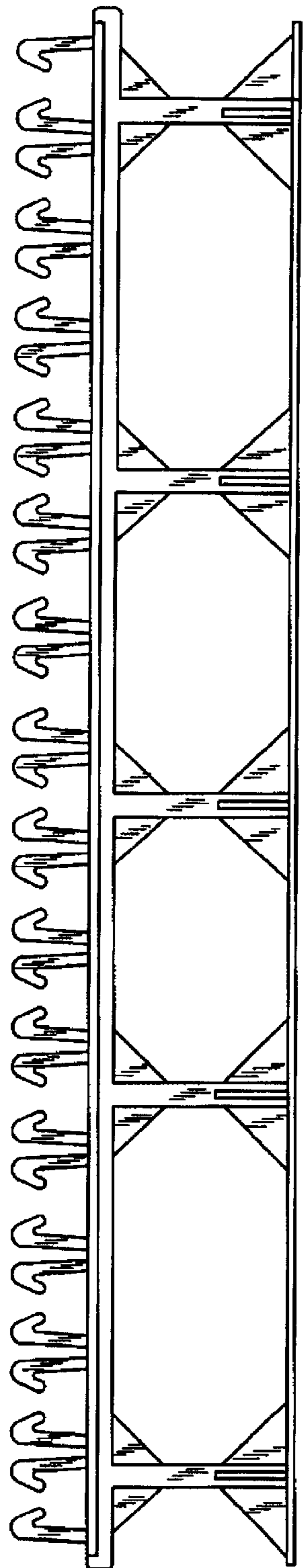


Fig. 2

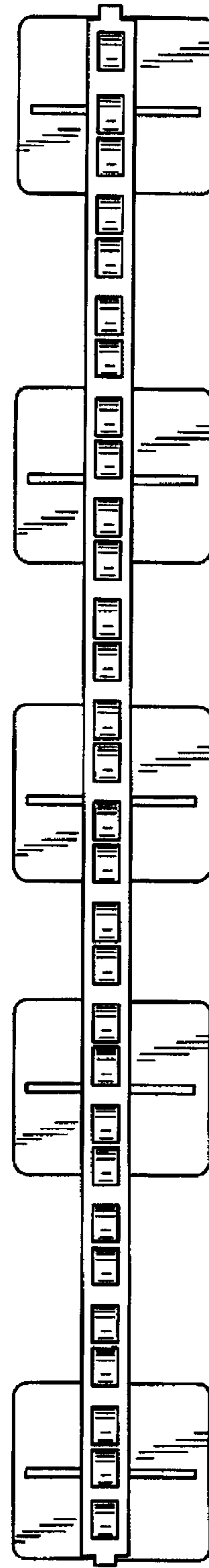


Fig. 3

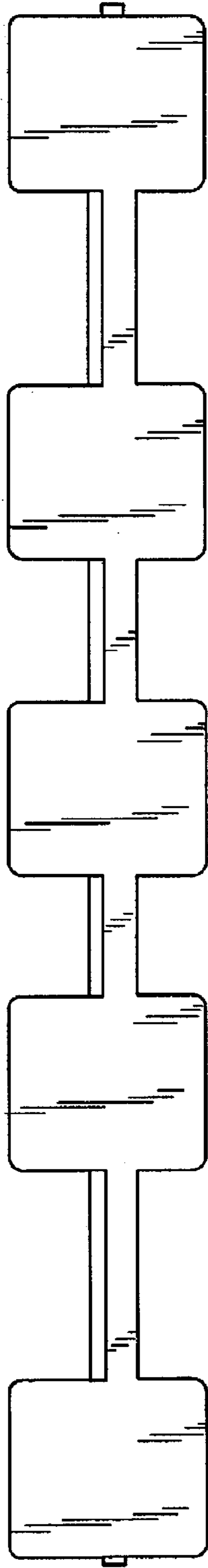


Fig. 4

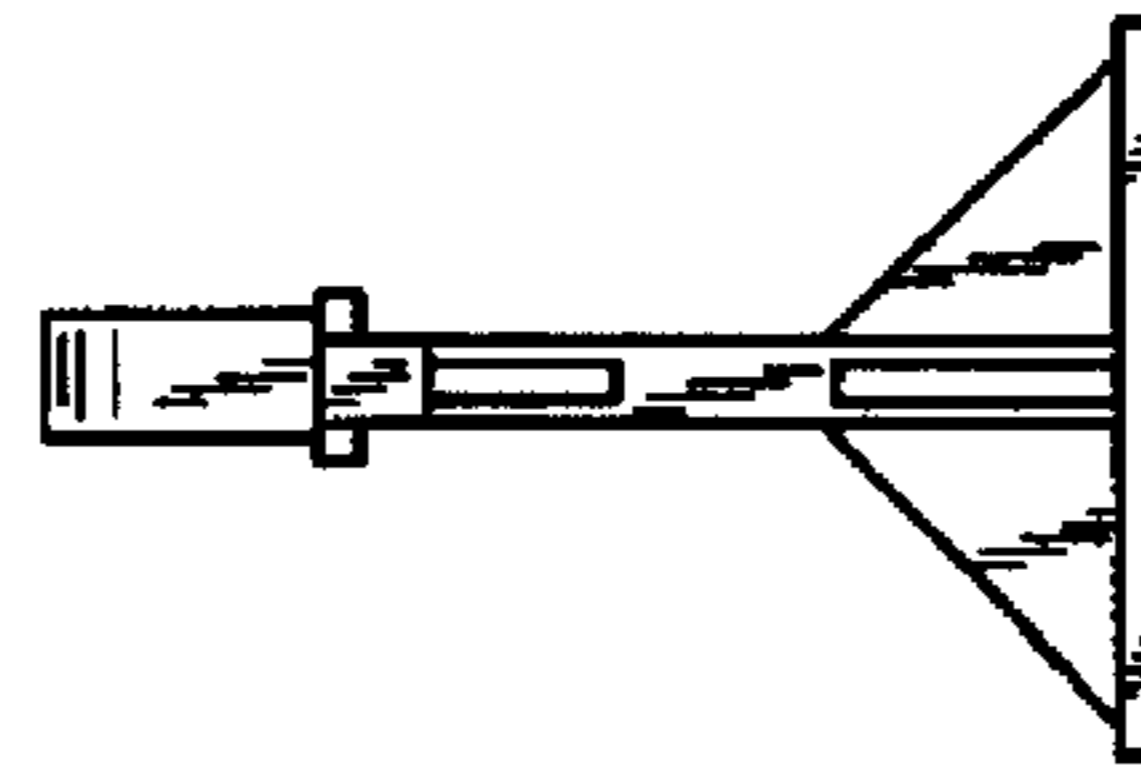


Fig. 5