



US00D548053S

(12) **United States Design Patent** (10) **Patent No.:** **US D548,053 S**
Erickson et al. (45) **Date of Patent:** **** Aug. 7, 2007**

(54) **REBAR CHAIR SUPPORT**

(75) Inventors: **John A Erickson**, Lindstrom, MN (US); **Kevin Anderson**, Lindstrom, MN (US)

(73) Assignee: **Eagle Eye Products, Incl**, Shafer, MN (US)

(**) Term: **14 Years**

(21) Appl. No.: **29/234,972**

(22) Filed: **Jul. 26, 2005**

(51) **LOC (8) Cl.** **08-05**

(52) **U.S. Cl.** **D8/354**

(58) **Field of Classification Search** D8/354;
248/440; 52/685-687

See application file for complete search history.

(56) **References Cited**

U.S. PATENT DOCUMENTS

1,672,176 A	6/1928	Schumacher et al.
1,871,809 A	8/1932	Lampert
3,255,565 A	6/1966	Menzel
3,512,331 A	5/1970	Palmer
3,693,310 A	9/1972	Middleton

(Continued)

OTHER PUBLICATIONS

Product brochure from International Plastics, Corp. of Nicholasville, Kentucky for Slab/Beam Bolster. (1991).

Product brochure from Conac Accessories, Inc. of Norcross, Georgia for U-Fix Slab Bolster and SEMFIX-Beam bolster. (1995).

Product brochure from Dayton Superior for Slab Bolster and Beam Bolster. (admitted prior art).

Product brochure from Hughes Supply, Inc. for Bar Supports. (admitted prior art).

Product brochure from Gateway Building Products of Chicago, Illinois for Bar Supports. (admitted prior art).

Product brochure from Industrial Wire Products Corp. of Pomona, California for Slab Bolsters. (admitted prior art).

Product brochure from Medco Steel Products for Reinforcing Bar Supports. (admitted prior art).

Product brochure from Shin Hwa Industrial co. of Kyungbuk, Korea for Beam Bolster. (admitted prior art).

Product brochure from Seoyoung for Slab Bolster and Beam Bolster. (admitted prior art).

Product brochure from Hammerl. (a1992).

Product brochure from WHC Products, Inc. of Houston, Texas for Slab Bolster. (admitted prior art).

Product brochure from Seifert. (1992).

Product brochure from Artikel of Wuppertal, Germany for Plastic Spacers. (admitted prior art).

Product brochure from Spillman of Columbus, Ohio for Slab Bolster. (Apr. 1994).

Product brochure from Guenette in Quebec, Canada for Reinforcing Steel Support. (Nov. 1988).

Product brochure from Art Mould Plastics, Ltd. in Ontario, Canada for Heavy Duty Beam Bolster and Heavy Duty High Beam Bolster. (admitted prior art).

Product brochure from Seifert Abstandhalter for a telefix with connecting device (1976).

Web site <http://www.bamtec.com/zubehoerde.html> (viewed May 5, 2005).

Primary Examiner—Holly H. Baynham

(74) *Attorney, Agent, or Firm*—Moss & Barnett

(57) **CLAIM**

The ornamental design for a rebar chair support, as shown and described.

DESCRIPTION

FIG. 1 is a perspective view of a rebar chair support.

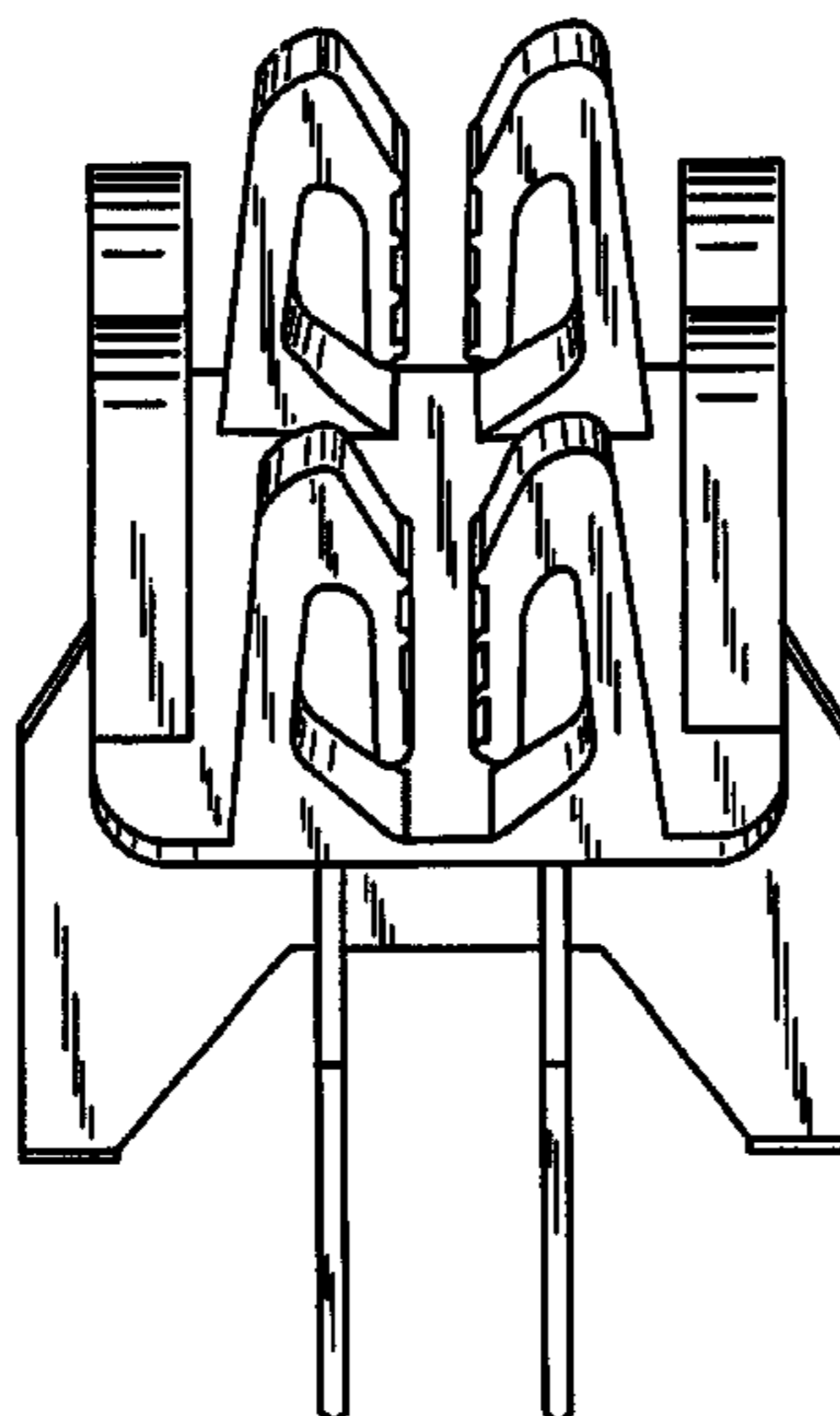
FIG. 2 is a first side view of a rebar chair support with a second side view being an identical image thereof.

FIG. 3 is a front view of a rebar chair support with a rear view being a mirror image thereof.

FIG. 4 is a top view of a rebar chair support; and,

FIG. 5 is a bottom view of a rebar chair support.

1 Claim, 4 Drawing Sheets



US D548,053 S

U.S. PATENT DOCUMENTS							
3,788,025	A	1/1974	Holmes	4,848,052	A	7/1989	Nützel
3,830,032	A	8/1974	Robb	4,854,106	A	8/1989	Bogar
D239,592	S	4/1976	Anderson	4,901,498	A	2/1990	Gerwick, Jr.
3,950,911	A	4/1976	Fox, Jr.	4,928,472	A	5/1990	Chang
3,996,713	A	12/1976	Haeussler	4,939,883	A	7/1990	Swenson
4,007,572	A	2/1977	Ilukowicz	4,942,714	A	7/1990	Langley, Jr. et al.
4,034,529	A	7/1977	Lampus	4,948,943	A	8/1990	Brückner
4,060,954	A	12/1977	Liuzza	4,953,340	A	9/1990	Anderson
D246,826	S	1/1978	Ilukowicz	4,989,388	A	2/1991	Schmidgall et al.
4,073,114	A	2/1978	Irish	4,996,816	A	3/1991	Wiebe
4,074,486	A	2/1978	Grearson	4,999,965	A	3/1991	Schmidgall et al.
4,085,559	A	4/1978	Ilukowicz	5,014,485	A	5/1991	Chang
4,087,947	A	5/1978	Turner	5,058,348	A	10/1991	Westhed
4,107,895	A	8/1978	LeGrady	5,107,654	A	4/1992	Leonardis
4,110,951	A	9/1978	Padrun	D330,504	S	10/1992	Collins
4,117,639	A	10/1978	Steenon et al.	D330,846	S	11/1992	Woolledge et al.
4,127,352	A	11/1978	Peters	5,181,363	A	1/1993	Leach et al.
4,132,045	A	1/1979	Sullivan	D334,133	S	3/1993	Hartzheim
4,159,605	A	7/1979	Ilukowicz	5,212,920	A	5/1993	Tye
4,166,347	A	9/1979	Pohlman et al.	5,216,866	A	6/1993	Ekedal
D254,168	S	2/1980	Ilukowicz	5,269,113	A	12/1993	Dreizler
4,190,999	A	3/1980	Hampton	5,291,715	A	3/1994	Basile
4,193,573	A	3/1980	Kinnucan, Jr.	5,301,485	A	4/1994	Shaw et al.
4,251,971	A	2/1981	Unthank	5,323,582	A	6/1994	Watson
4,261,156	A	4/1981	Fromont et al.	5,337,532	A	8/1994	Reid
4,290,245	A	9/1981	Pardue, Jr. et al.	5,351,457	A	10/1994	Colen
4,296,584	A	10/1981	Lempa, Jr.	D352,231	S	11/1994	Van de Peer
4,301,638	A	11/1981	Schmidgall	5,363,681	A	11/1994	Speck et al.
D262,093	S	12/1981	Bush et al.	5,371,991	A	12/1994	Bechtel et al.
4,318,262	A	3/1982	Uehara	D354,218	S	1/1995	Van de Peer
4,334,397	A	6/1982	Hitz	D354,672	S	1/1995	Van De Peer
4,342,441	A	8/1982	Maebara et al.	5,400,562	A	3/1995	Bahr
4,359,848	A	11/1982	Haeussler	5,408,799	A	4/1995	Ron et al.
4,388,791	A	6/1983	Anderson	5,419,055	A	5/1995	Meadows
4,394,201	A	7/1983	Haeussler	5,421,136	A	6/1995	Van De Peer
D271,846	S	* 12/1983	Hernandez D8/356	D361,710	S	8/1995	Boeshart
4,434,597	A	3/1984	Fischer	D363,657	S	10/1995	Kassardjian et al.
4,445,308	A	5/1984	Taylor	5,456,051	A	10/1995	Queen et al.
4,452,026	A	6/1984	Tolliver	5,509,636	A	4/1996	Cotugno
4,463,538	A	8/1984	Dragunas	5,555,693	A	9/1996	Sorkin
4,466,222	A	8/1984	Mitchell	5,561,957	A	10/1996	Gauthier
4,498,270	A	2/1985	Ilukowicz	5,595,039	A	1/1997	Lowery
D279,164	S	6/1985	Mitchell et al.	D378,049	S	2/1997	Boeshart
D279,352	S	6/1985	Mitchell et al.	5,598,682	A	2/1997	Haughian
4,524,553	A	6/1985	Hacker	5,626,436	A	5/1997	Dragone
4,562,672	A	1/1986	Westplate	D383,373	S	9/1997	Boeshart
4,575,985	A	3/1986	Eckenrodt	5,664,389	A	9/1997	Williams
4,598,523	A	7/1986	Tolliver	5,664,390	A	9/1997	Sorkin
4,601,447	A	7/1986	McFarland	5,699,642	A	12/1997	McDevitt, Jr.
4,610,122	A	9/1986	De Clercq	5,729,949	A	3/1998	Hartzheim
4,617,775	A	10/1986	Padrun	D393,997	S	5/1998	Hartzheim
4,640,063	A	2/1987	Ayala	5,762,300	A	6/1998	Sorkin
4,642,960	A	2/1987	Wallover, III	5,791,095	A	8/1998	Sorkin
4,644,727	A	2/1987	Hanson et al.	5,791,816	A	8/1998	McCallion
4,655,023	A	4/1987	Yung	5,809,722	A	9/1998	Bertsche
4,689,867	A	9/1987	Tolliver	5,819,493	A	10/1998	LeMoignan
4,702,048	A	10/1987	Millman	5,822,946	A	10/1998	Rasmussen
4,739,598	A	4/1988	Jensen et al.	5,832,690	A	11/1998	Kaines
4,742,655	A	5/1988	Kovasna	5,878,546	A	3/1999	Westover
4,744,190	A	5/1988	Couwenbergs et al.	5,884,439	A	3/1999	Hess, III et al.
4,748,785	A	6/1988	Wheeler	5,893,252	A	4/1999	Hardy, Jr. et al.
4,756,641	A	* 7/1988	Hartzheim 404/136	5,981,050	A	11/1999	Kaempfen et al.
4,765,106	A	8/1988	Modrovich	D425,403	S	5/2000	Medina
4,800,702	A	1/1989	Wheeler	6,076,780	A	6/2000	Honnecke et al.
4,803,825	A	2/1989	Wheeler	6,088,991	A	7/2000	Nassef
4,831,803	A	5/1989	Leonardis	6,089,522	A	7/2000	Haslem et al.
4,833,850	A	5/1989	Lunn	D429,624	S	8/2000	Johnson
4,833,857	A	5/1989	Wheeler	6,112,494	A	9/2000	Hardy, Jr. et al.
4,835,933	A	6/1989	Yung	6,115,987	A	9/2000	Tatum
4,835,934	A	6/1989	Swenson	6,119,432	A	9/2000	Niemann
				6,123,745	A	9/2000	Hess, III et al.

US D548,053 S

Page 3

6,141,937 A	11/2000	Dressler	6,637,171 B1	10/2003	Toone
6,161,360 A	12/2000	Smith	D483,246 S	12/2003	McPherson et al.
6,178,716 B1	1/2001	Chen	6,655,105 B2	12/2003	Swenson
6,212,848 B1	4/2001	Cooper	6,663,316 B1	12/2003	Harris
D443,197 S	6/2001	Padrun	6,684,594 B1	2/2004	Sorkin
D444,244 S	6/2001	McPherson et al.	6,684,595 B1	2/2004	Sorkin
D445,668 S	7/2001	Hills, Sr.	6,722,097 B2	4/2004	Haslem et al.
6,276,108 B1	8/2001	Padrun	6,735,918 B2	5/2004	Haslem et al.
6,282,860 B1	9/2001	Ramirez	6,739,805 B2	5/2004	Shotton
6,311,453 B1	11/2001	Mechnick	D491,443 S *	6/2004	Lowery D8/354
6,327,822 B1	12/2001	Il Grande	6,772,571 B1	8/2004	Sorkin
6,341,452 B1	1/2002	Bollinghaus	6,775,954 B1	8/2004	Sorkin
6,345,474 B1	2/2002	Triplett	D500,668 S *	1/2005	Kelly et al. D8/354
D454,776 S	3/2002	Padrun	6,837,017 B2	1/2005	Hardy, Jr. et al.
6,354,054 B1	3/2002	Verelli et al.	6,857,235 B2	2/2005	Niday et al.
6,363,679 B1	4/2002	Rutherford	6,866,445 B2	3/2005	Semler
6,385,938 B1	5/2002	Gavin	6,871,462 B2	3/2005	Azizinzmini
D468,188 S	1/2003	Foster, Jr.	6,871,471 B1	3/2005	Davidson
6,502,361 B1	1/2003	Hills, Sr.	6,883,289 B2	4/2005	Juedes et al.
6,557,317 B2	5/2003	Sorkin	2004/0031228 A1	2/2004	Hardy, Jr. et al.
6,571,526 B2	6/2003	Queen	2004/0098942 A1 *	5/2004	Lee et al. 52/686
6,591,574 B2	7/2003	Humphrey	2004/0107668 A1	6/2004	Haslem et al.
6,622,446 B1	9/2003	Ziegler			
D480,290 S	10/2003	Gonzales			

* cited by examiner

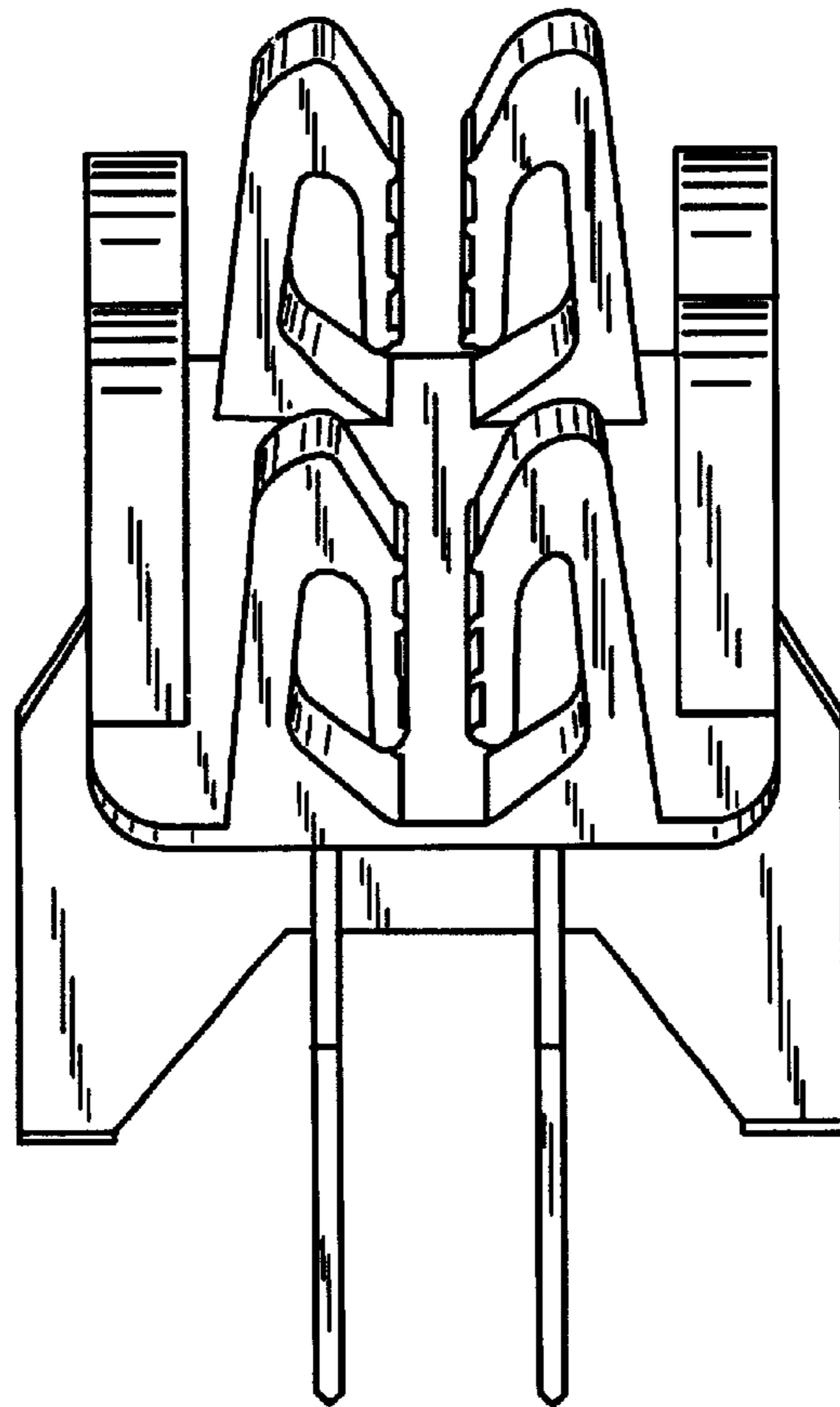


Fig. 1

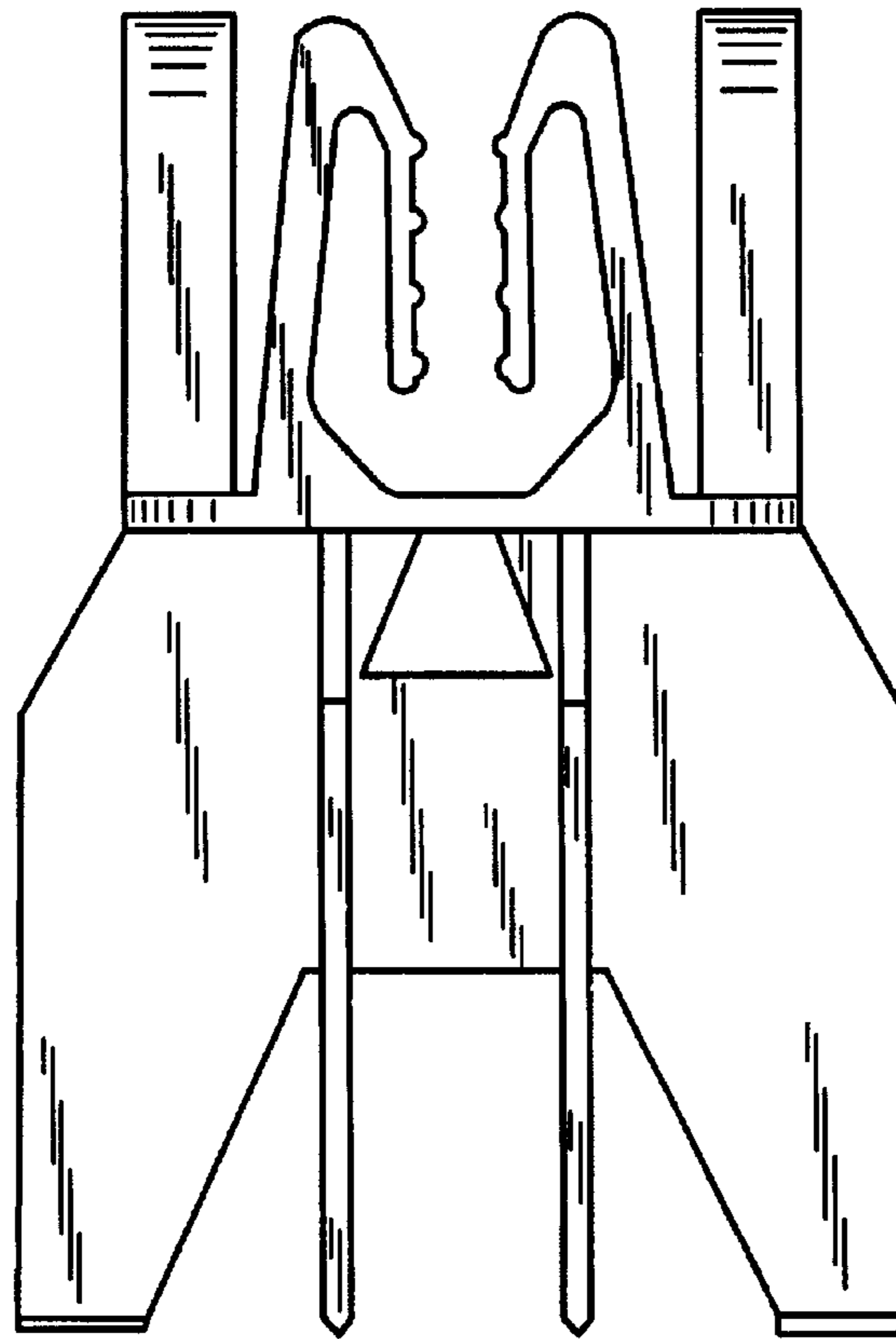


Fig. 2

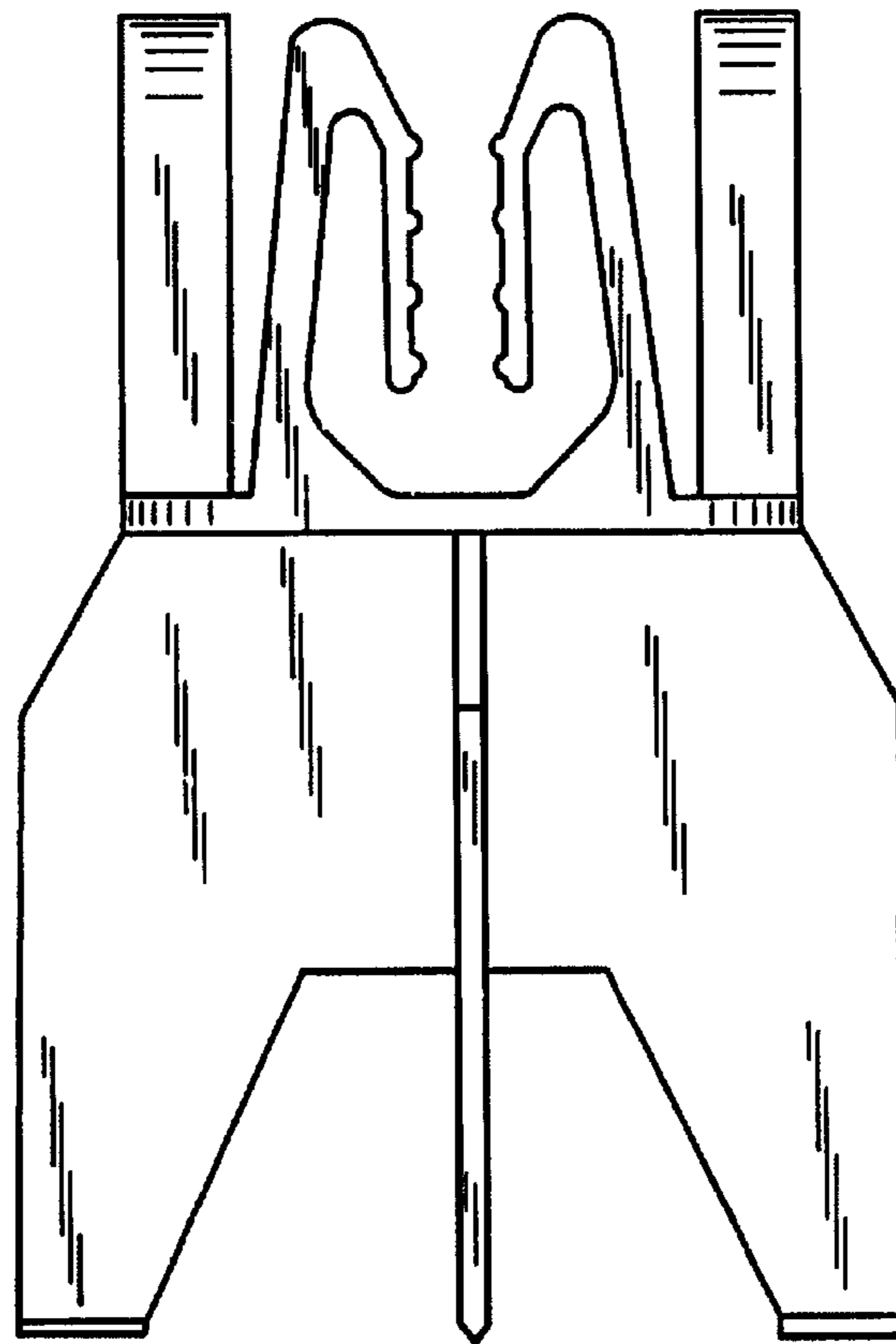


Fig. 3

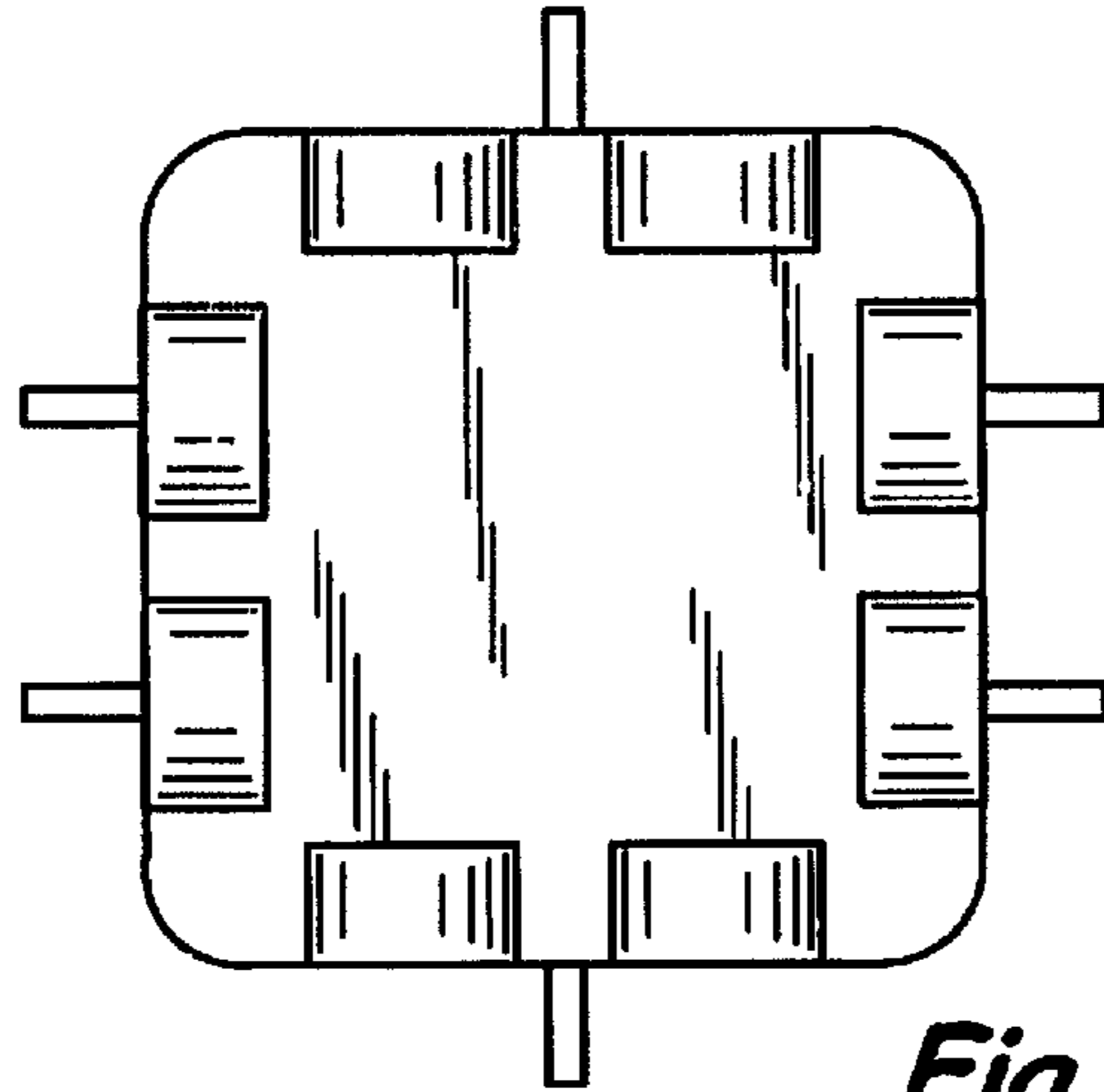


Fig. 4

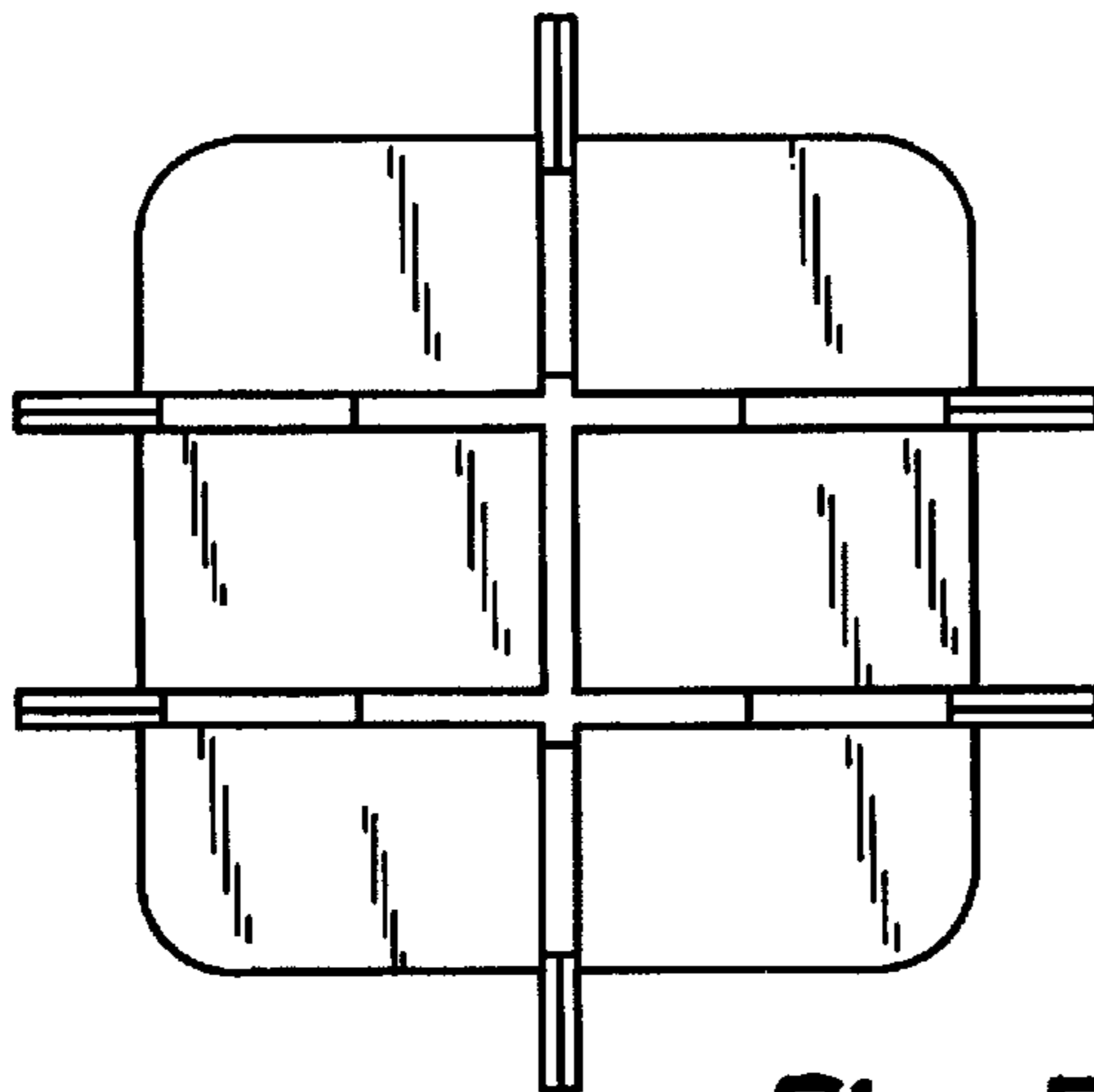


Fig. 5