

US00D548051S

(12) **United States Design Patent** (10) **Patent No.:** **US D548,051 S**
Ruppert et al. (45) **Date of Patent:** **** Aug. 7, 2007**

(54) **TILLER BRACKET FOR A PALLET TRUCK**

(75) Inventors: **Adam M. Ruppert**, Wapakoneta, OH (US); **James V. Kraimer**, Celina, OH (US)

(73) Assignee: **Crown Equipment Corporation**, New Bremen, OH (US)

(**) Term: **14 Years**

(21) Appl. No.: **29/227,193**

(22) Filed: **Apr. 7, 2005**

(51) **LOC (8) Cl.** **08-05**

(52) **U.S. Cl.** **D8/354**

(58) **Field of Classification Search** D8/354,
D8/380; 248/200, 300

See application file for complete search history.

(56) **References Cited**

U.S. PATENT DOCUMENTS

D243,190	S	*	1/1977	Knutsson et al.	D23/364
5,613,660	A	*	3/1997	Wyatt	248/300
D409,078	S	*	5/1999	Bolt	D8/354
D426,453	S	*	6/2000	Stearns et al.	D8/354
D437,282	S	*	2/2001	Joll	D12/223
6,543,751	B1	*	4/2003	Spruill	256/65.04
D474,958	S	*	5/2003	Perdue	D8/349
D478,801	S	*	8/2003	Spruill	D8/354
6,651,752	B2	*	11/2003	Sasaoka	172/42

OTHER PUBLICATIONS

Crown Advertisement brochure no. SF12208 Rev. 10/02 entitled Crown PTH 50 Series, copyright 2002.

Photo of Robur hand pallet trucks (undated –admitted prior art).

Picture of CE hand pallet truck (undated –admitted prior art).

BT Litter brochure and photographs for Models L200 Inox and L2000 (undated –admitted prior art).

Photo of Allet hand pallet truck (undated –admitted prior art).

Photos of Easylift Boizoni hand pallet truck (undated–admitted prior art).

Photo of Hyster hand pallet truck (undated –admitted prior art).

Carreffe Truck patient truck manual (undated –admitted prior art).

(Continued)

Primary Examiner—Holly H. Baynham

(74) *Attorney, Agent, or Firm*—Stevens & Showalter LLP

(57) **CLAIM**

The ornamental design for a tiller bracket for a pallet truck, as shown.

DESCRIPTION

FIG. 1 is an isometric view of a tiller bracket for a pallet truck taken from the left rear of the truck (the forks of a pallet truck including the tiller bracket, as shown in FIGS. 8 and 9, defining the front of the tiller bracket with right and left being as viewed by an operator of the pallet truck);

FIG. 2 is an isometric view of the tiller bracket with the bracket lying on its left side;

FIG. 3 is a top view of the tiller bracket;

FIG. 4 is a bottom view of the tiller bracket;

FIG. 5 is an elevational view of the right side of the tiller bracket, the left side view being a mirror image of the right side view;

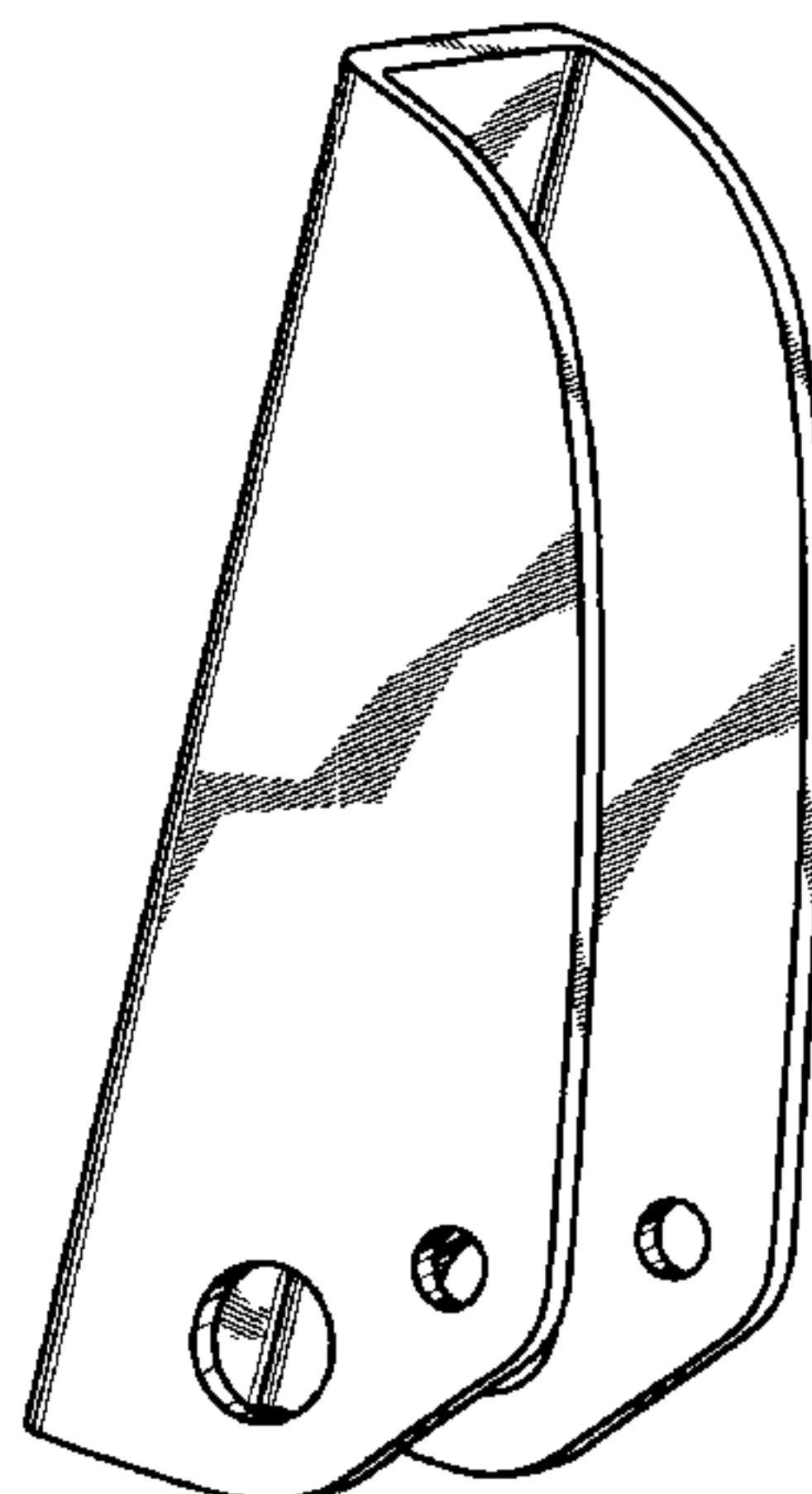
FIG. 6 is an elevational back view of the tiller bracket;

FIG. 7 is an elevational front view of the tiller bracket;

FIG. 8 is an isometric reduced scale view of the tiller bracket taken from the left rear of a pallet truck on which the tiller bracket is installed and illustrating the use environment of the tiller bracket with the broken lines being for illustrative purposes only and forming no part of the claimed design; and,

FIG. 9 is an isometric reduced scale view of the tiller bracket taken from the left front of a pallet truck on which the tiller bracket is installed again illustrating the use environment of the tiller bracket with the broken lines being for illustrative purposes only and forming no part of the claimed design.

1 Claim, 2 Drawing Sheets



OTHER PUBLICATIONS

- Carreffe high lift pallet trucks (undated –admitted prior art).
 Despo pallet truck brochure/showing. copyright 2003.
 Specifications and photos of Genkinger pallet trucks (undated –admitted prior art).
 Photos of Carreffe weighting pallet truck (undated –admitted prior art).
 EP Hand Pallet Truck Specifications (undated –admitted prior art).
 EP Hand Pallet Truck photos (undated –admitted prior art).
 EP High Lift Hand Pallet Truck Specifications (undated–admitted prior art).
 Hyster PME2.0–PMC2.2 Hand pallet trucks specification (undated –admitted prior art).
 Jungheinrich Hand Pallet Truck AM 2200 brochure (undated–admitted prior art).
 Jungheinrich AM 3000 Hand Pallet Truck brochure (undated–admitted prior art).
 Jungheinrich AMW 22.2/22.4 Hand Pallet Truck with weighting device brochure (undated –admitted prior art).
 Jungheinrich AMX/AMX–E scissors lift pallet truck brochure (undated –admitted prior art).
 Jungheinrich Scissor Lift Hand Pallet Truck AM 2000 X and AM 2000 X E brochure (undated –admitted prior art).
 Linda Tiller Pallet Trucks brochure (undated –admitted prior art).
 Linda Tiller–controlled Pallet Trucks brochure (undated–admitted prior art).
 Linda Hand Pallet Truck brochure (undated –admitted prior art).
 LOC hand pallet trucks (undated –admitted prior art).
 Longitrans Pallet Trucks brochure (undated –admitted prior art).
 Logitrans Pallet Trucks specifications (undated –admitted prior art).
 MIC advertisement brochure (undated –admitted prior art).
 Photos of Linda pallet trucks (undated –admitted prior art).
 Photos of MIC pallet trucks (undated –admitted prior art).
 MIC Hand Pallet Truck TM 22 advertisement brochure (undated –admitted prior art).
 MIC Hand Pallet Truck with integrated weighting system TMW 22.2/22.4 brochure (undated –admitted prior art).
 MIC Scissor Lift Hand Pallet Truck TMXE 10 brochure (undated –admitted prior art).
 NOBLIFT Model AC Series Pallet Truck brochure (undated–admitted prior art).
 Praman Hand Pallet Truck brochure (undated –admitted prior art).
 Roole BF2F pallet truck brochure (undated –admitted prior art).
 Roole TMA28 pallet truck brochure (undated –admitted prior art).
 Samag Hand Pallet Truck specifications (undated –admitted prior art).
 STILL Hand Pallet Trucks HP Technical Data brochure for Models HP 22/30, HP 10XE (undated –admitted prior art).
 Toyota Hand–Pallet Truck HT23 & HT23Q specifications, Feb. 2001.
- Toyota High Lift Electric Hand–Pallet Truck HTH10E, Feb. 2001.
 Toyota High Lift Hand–Pellet Truck HTH10M, Feb. 2001.
 Photo of Toyota hand pallet truck (undated –admitted prior art).
 Photo of Toyota hand pallet truck and wheels (undated–admitted prior art).
 Ningbo–Ruyl Joint Stock Co., Ltd., XILIN BE Hydraulic Patient Truck specifications (undated –admitted prior art).
 Ningbo Ruyl Joint Stock Co., Ltd., XILIN NF Hydraulic Pallet Truck specifications (undated –admitted prior art).
 Yale Hand Pallet Trucks Models HP20E Easy–Lift version and HP22QL Quick–Lift version specifications (undated–admitted prior art).
 Photo of Yale Quicklift pallet truck (undated –admitted prior art).
 Photos of BELET Holding Side Roller Pallet Truck and Quick Lift Patient Truck (undated –admitted prior art).
 Photo of BELET Holding Model BH LOW Pallet Truck Super–Lowered Lifting, copyright 2001.
 BT brochure for HL 10/HLE 10 BT High Lifter (undated–admitted prior art).
 BT Brochure for L23/L23Q/L30 BT Lifter (undated –admitted prior art).
 BT Brochure for L 20 Stainless, HL/HLE 10 1, Handhubwagen L 20 Stainless, Scherenhubwagen HL/HLE INOX (undated –admitted prior art).
 BT brochure for weighting pallet truck (undated –admitted prior art).
 Foam hand pallet trucks brochure (undated –admitted prior art).
 Magazine article on incab/Hand–Hub Pallet Jack, pp. 24–27 (undated –admitted prior art).
 Incab/Scherin–Hub brochure for High Lift Manuelli Versionen Manuali S–600, pp. 18–19 (undated –admitted prior art).
 Inca b/Scheren–Hub brochure for High Lift Manuelli Elektrisch and Pellet Jack, pp. 28–31 (undated –admitted prior art).
 Stöcklin NHR 2000 specification (undated –admitted prior art).
 Stöcklin SHR 2000–SF specification (undated –admitted prior art).
 Stöcklin SHR 2000 specification (undated –admitted prior art).
 Stöcklin SHR 2000–WAAGE specification (undated–admitted prior art).
 Stöcklin SHR 2000–INOX specification (undated –admitted prior art).
 Photo page of Deichsel–Hubwegen–Stand–/Sitz–Hubwagen–Kommissionierer Handhubwagen models SHR 2000, SHR 2000–Silent, SHR 2000–Frosty, SHR 2000–Waage, SHR 2000 SF, SHR 2000–INOX, NHR 2000, Delchsel–Hubwagen (undated –admitted prior art).
 Photos of Linda Pallet Truck (undated –admitted prior art).

* cited by examiner

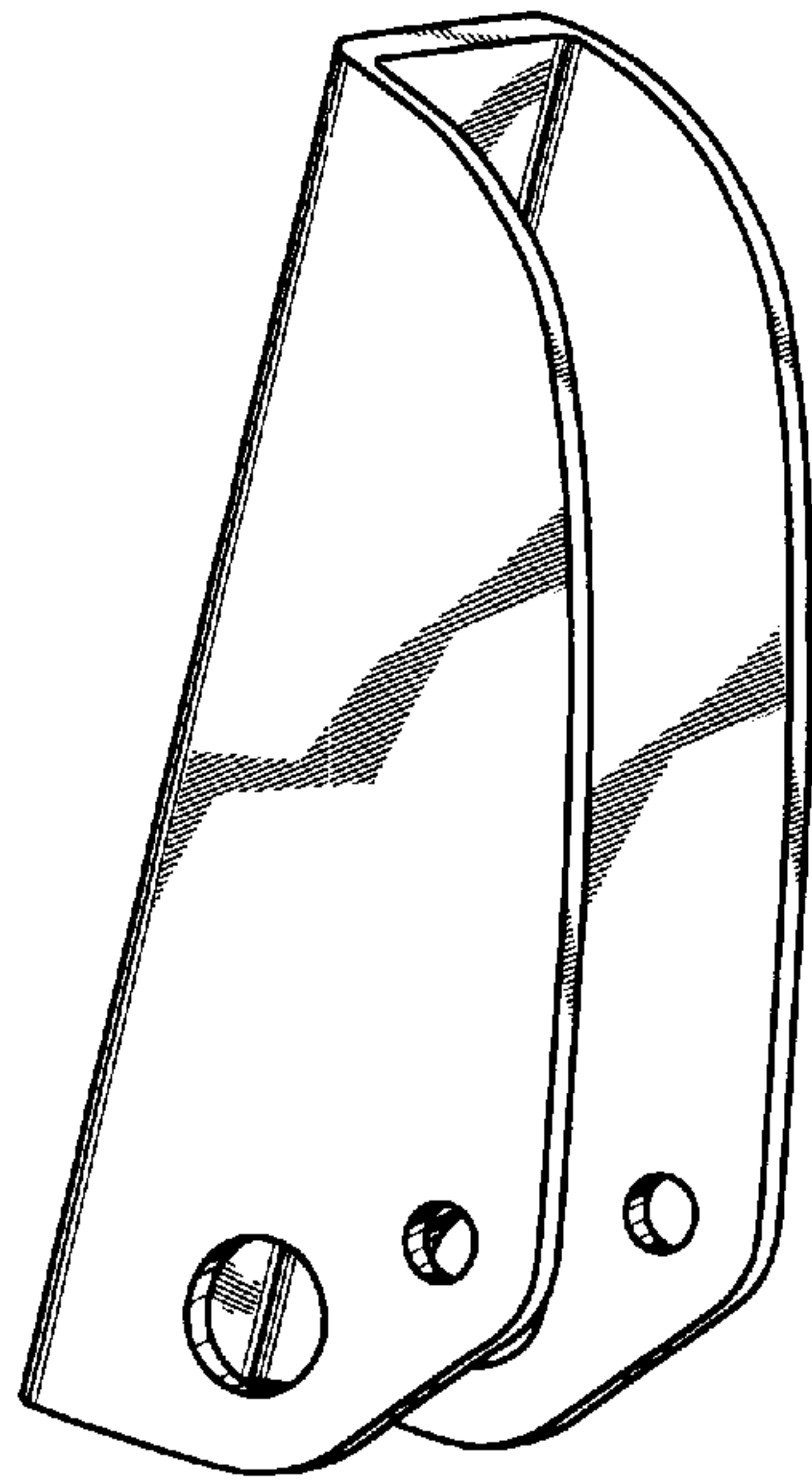


FIG. 1

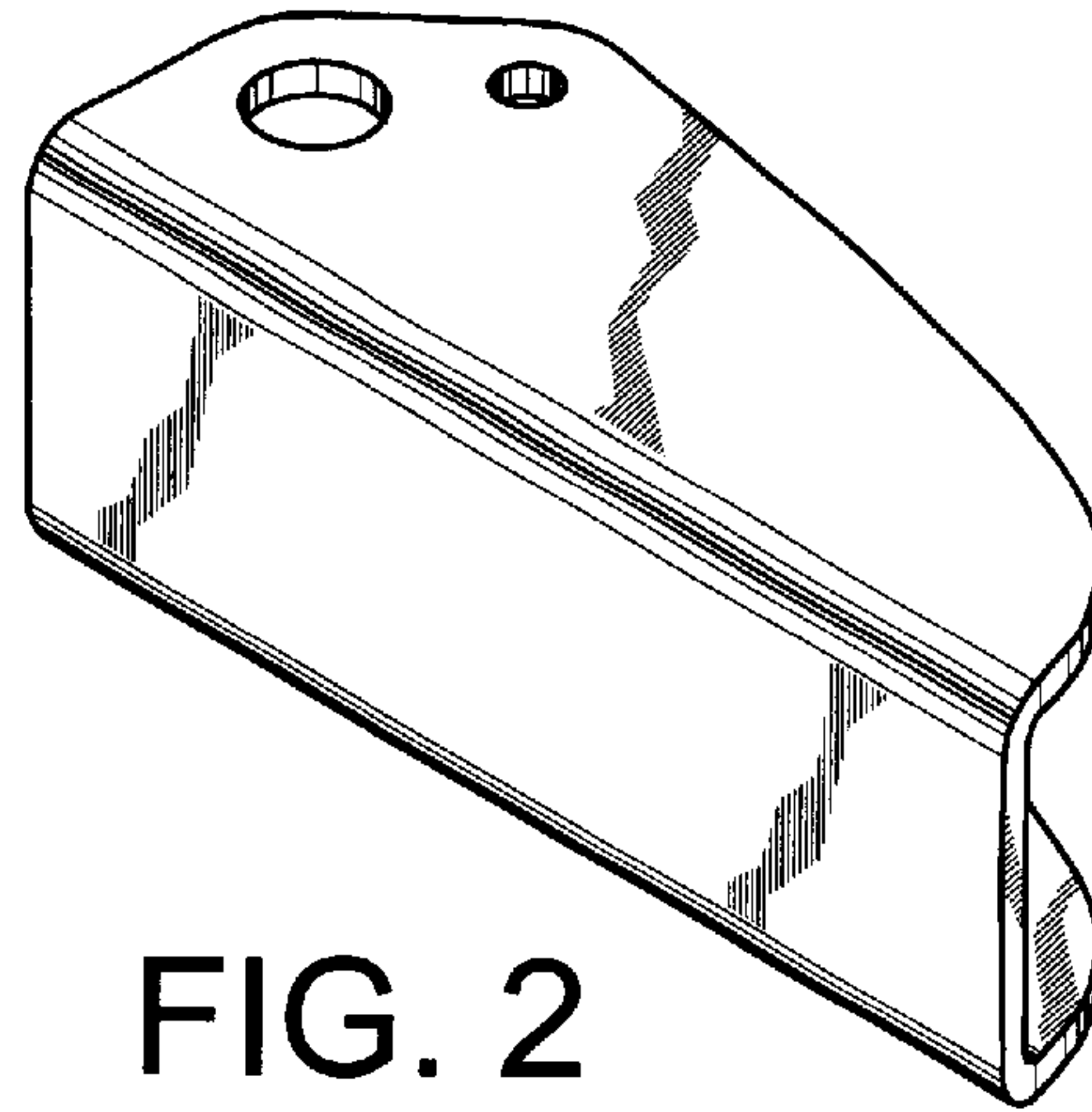


FIG. 2

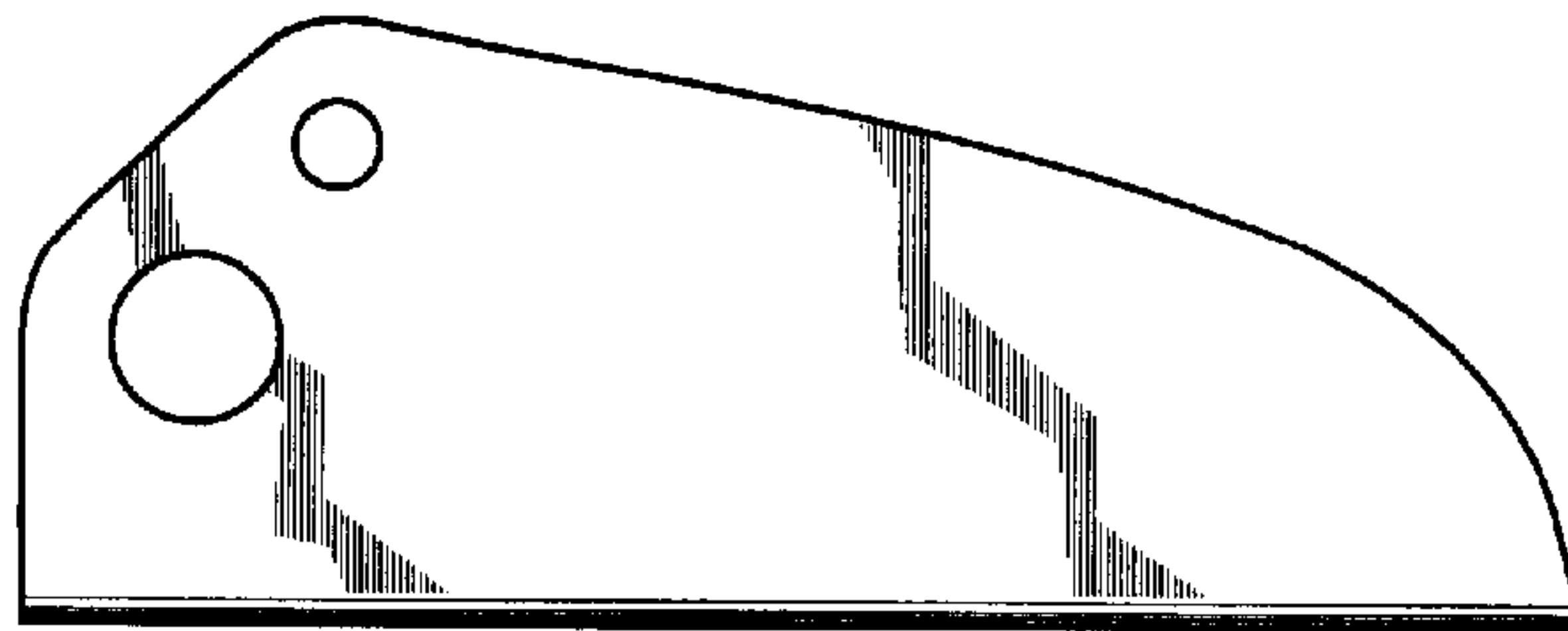


FIG. 5

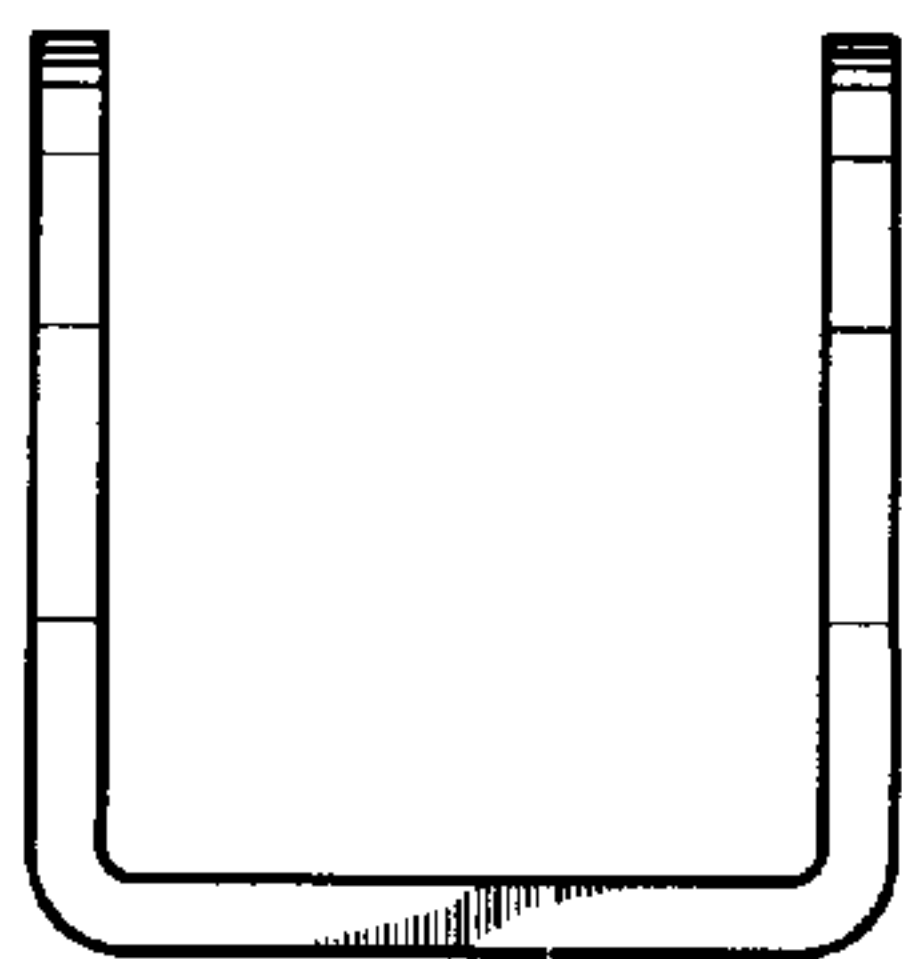


FIG. 3

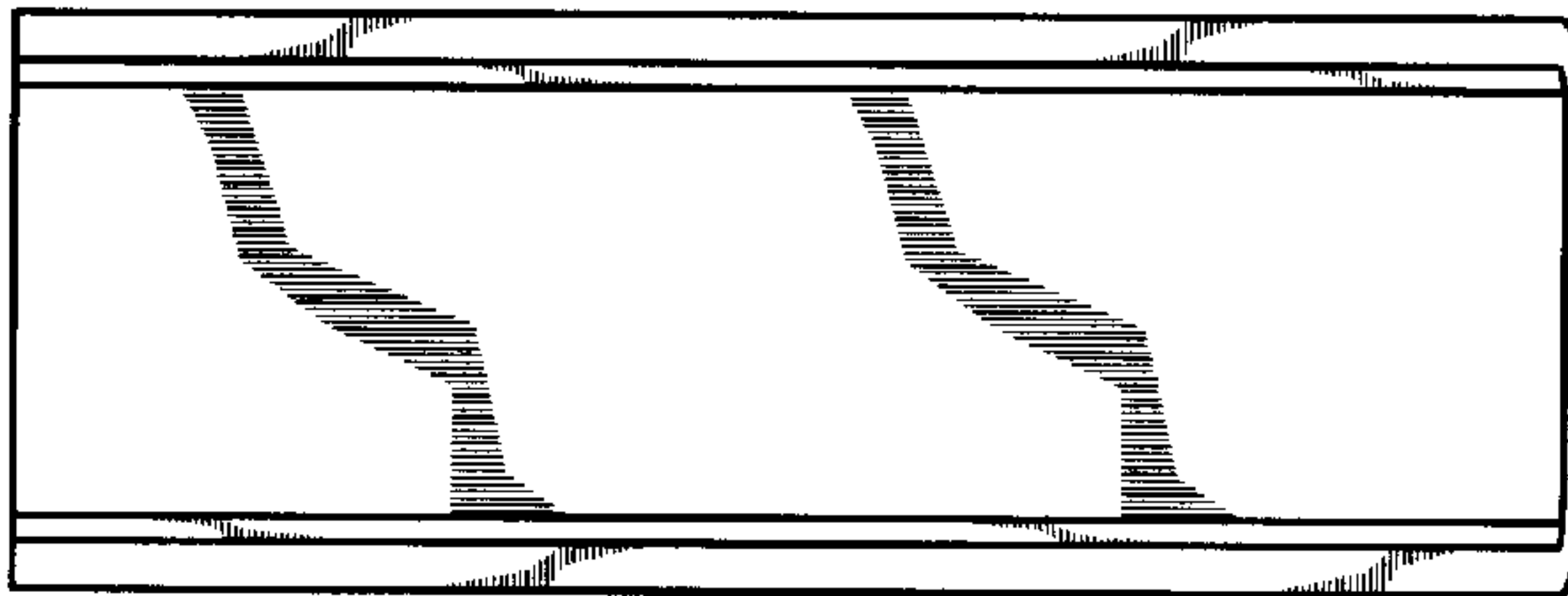


FIG. 6

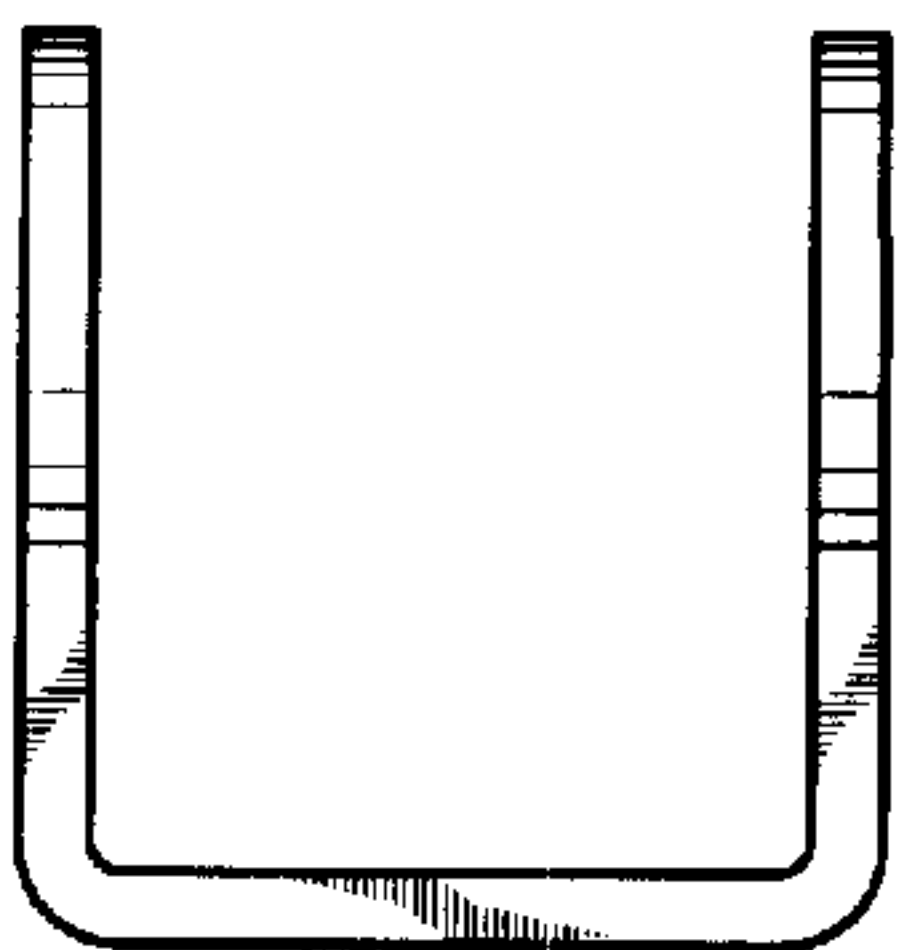


FIG. 4

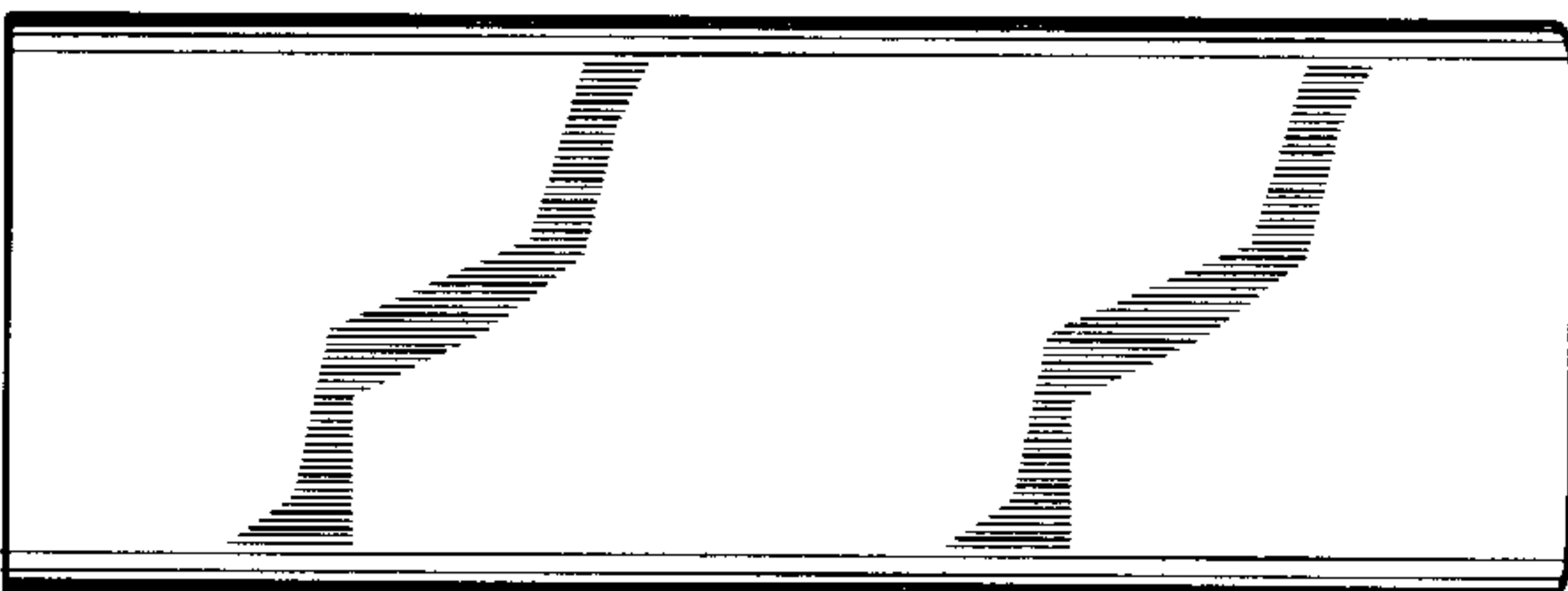


FIG. 7

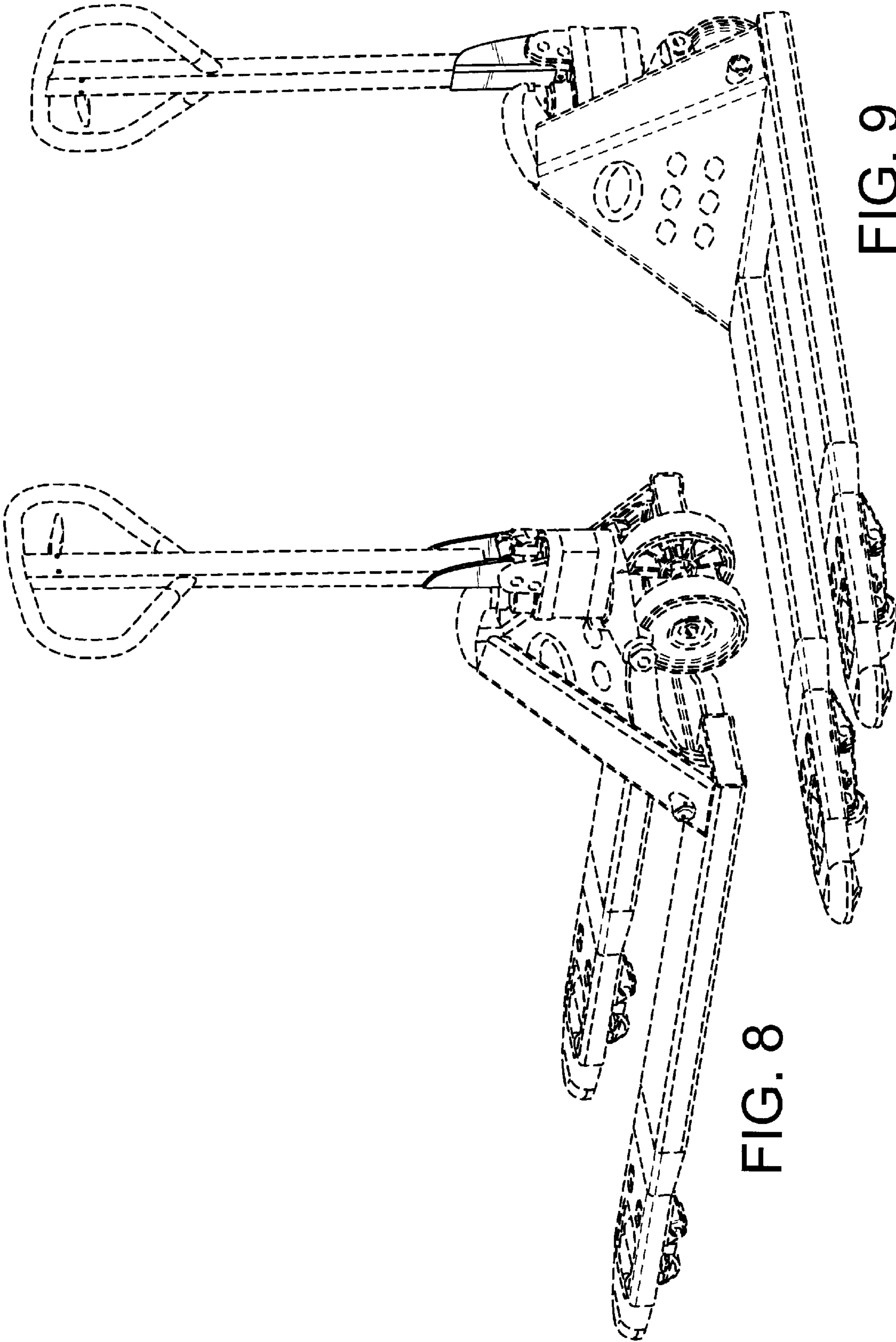


FIG. 8

FIG. 9