

US00D548048S

(12) **United States Design Patent**  
**Sherrard**

(10) **Patent No.:** **US D548,048 S**

(45) **Date of Patent:** **\*\* Aug. 7, 2007**

(54) **COMBINED LEG MOUNT AND RING**

*Primary Examiner*—Holly H. Baynham

(76) Inventor: **James M. Sherrard**, 1115 Lisa La.,  
Ruston, LA (US) 71270

(57) **CLAIM**

(\*\*) Term: **14 Years**

The ornamental design for a “combined leg mount and ring,”  
as shown and described.

(21) Appl. No.: **29/238,607**

(22) Filed: **Sep. 19, 2005**

**DESCRIPTION**

(51) **LOC (8) Cl.** ..... **08-05**

(52) **U.S. Cl.** ..... **D8/349**

(58) **Field of Classification Search** ..... D8/349,  
D8/354; 248/300, 62, 65, 674

See application file for complete search history.

FIG. 1 is a front perspective view of the combined leg mount and ring, showing my new design with environmental structure illustrated in broken lines;

FIG. 2 is a rear perspective view of the combined leg mount and ring;

FIG. 3 is a front view, this view being a mirror image of the opposing rear view of the combined leg mount and ring;

FIG. 4 is a left side elevational view thereof; and

FIG. 5 is a right side elevational view thereof;

FIG. 6 is a top plan view of the combined leg mount and ring; and,

FIG. 7 is a bottom plan view of the combined leg mount and ring illustrated in FIGS. 1-6.

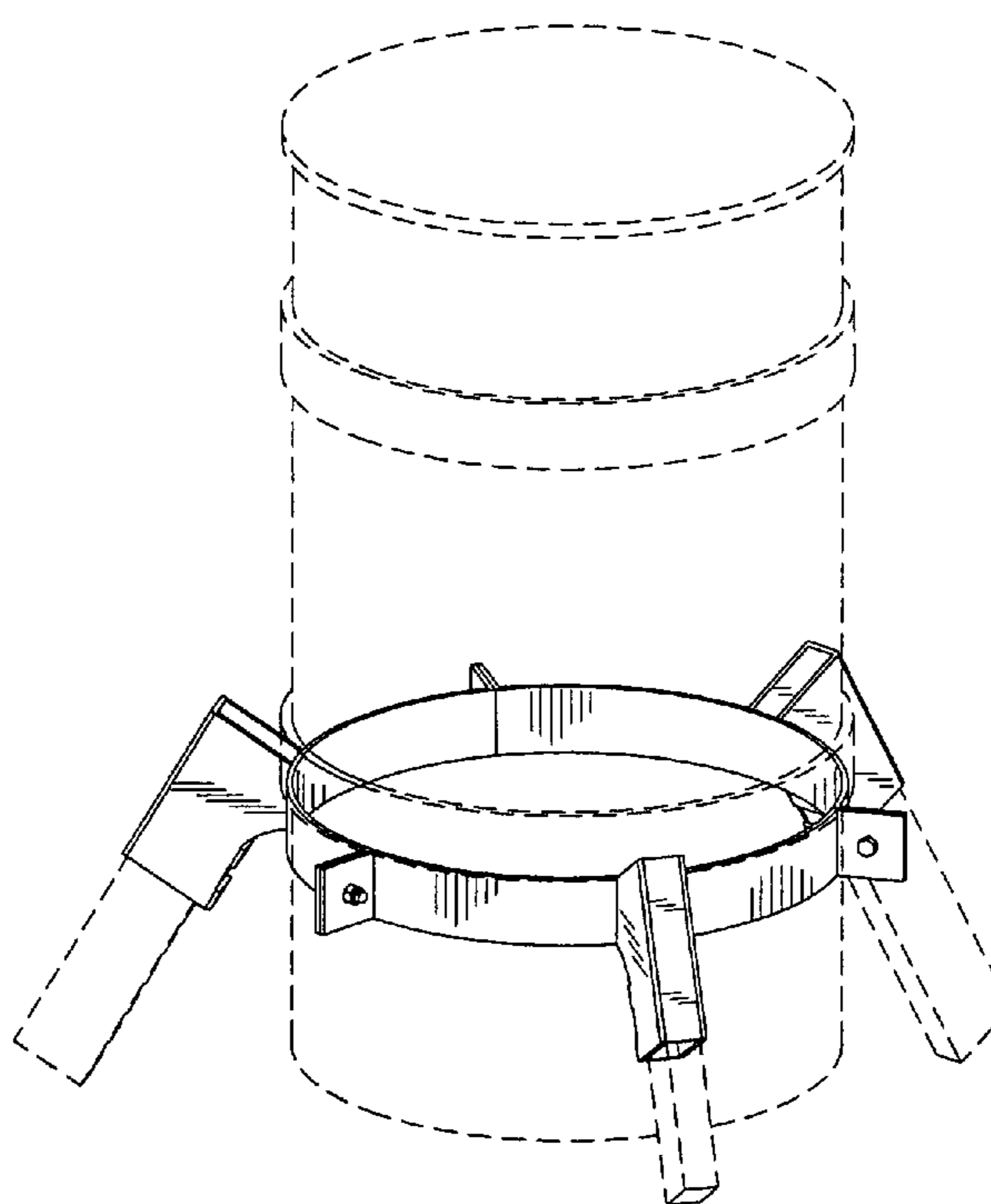
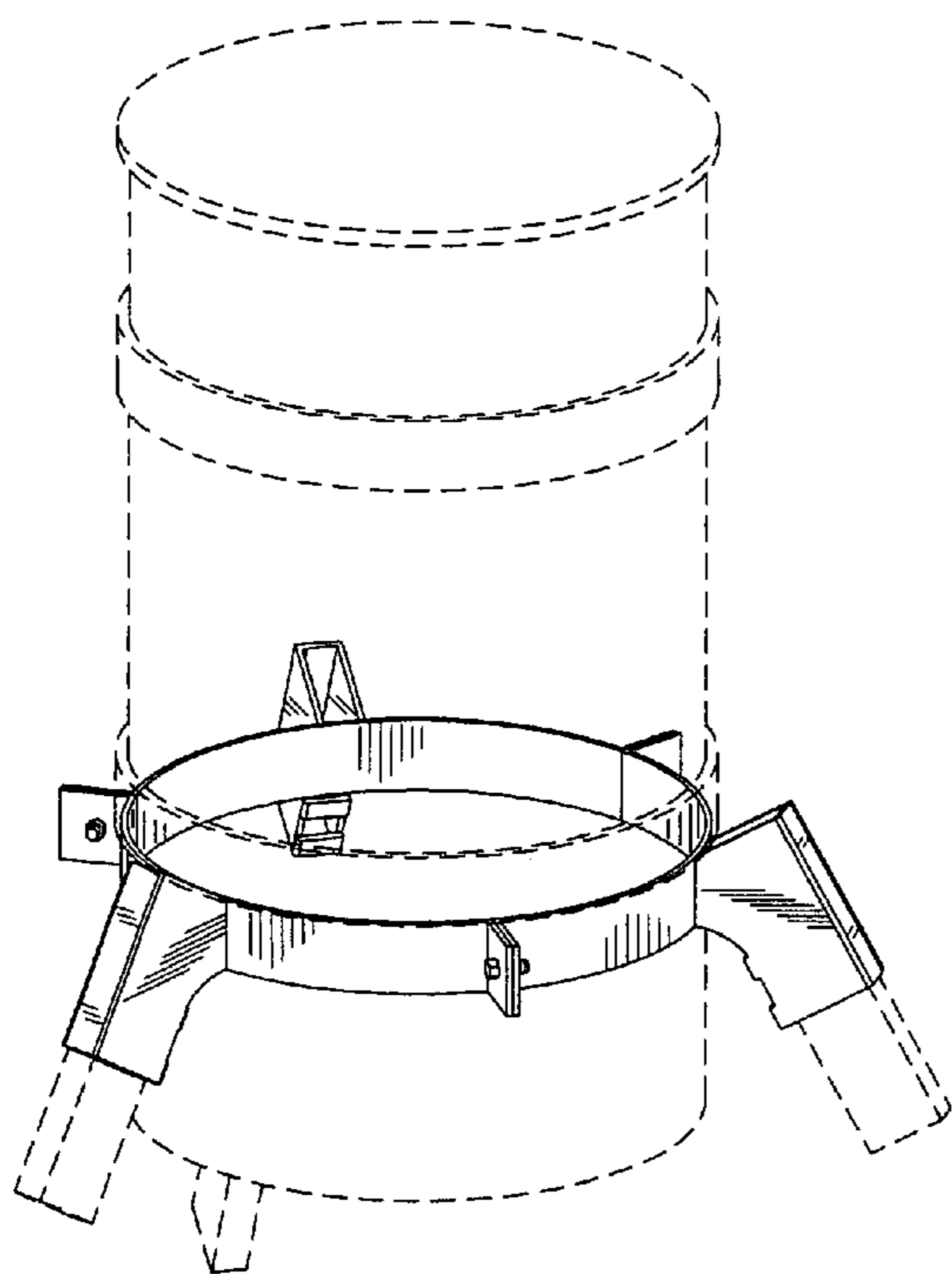
(56) **References Cited**

U.S. PATENT DOCUMENTS

2,931,002	A *	3/1960	Schendel	.....	338/167
2,983,886	A *	5/1961	Heckler, Jr.	.....	336/92
4,323,217	A *	4/1982	Dochterman	.....	248/604
4,890,812	A *	1/1990	Chechile et al.	.....	248/674
5,069,415	A *	12/1991	Mechalas	.....	248/674
5,890,814	A *	4/1999	Catlett	.....	384/549
6,422,520	B1 *	7/2002	Hand	.....	248/65
D507,475	S *	7/2005	Phillips et al.	.....	D8/349

\* cited by examiner

**1 Claim, 3 Drawing Sheets**



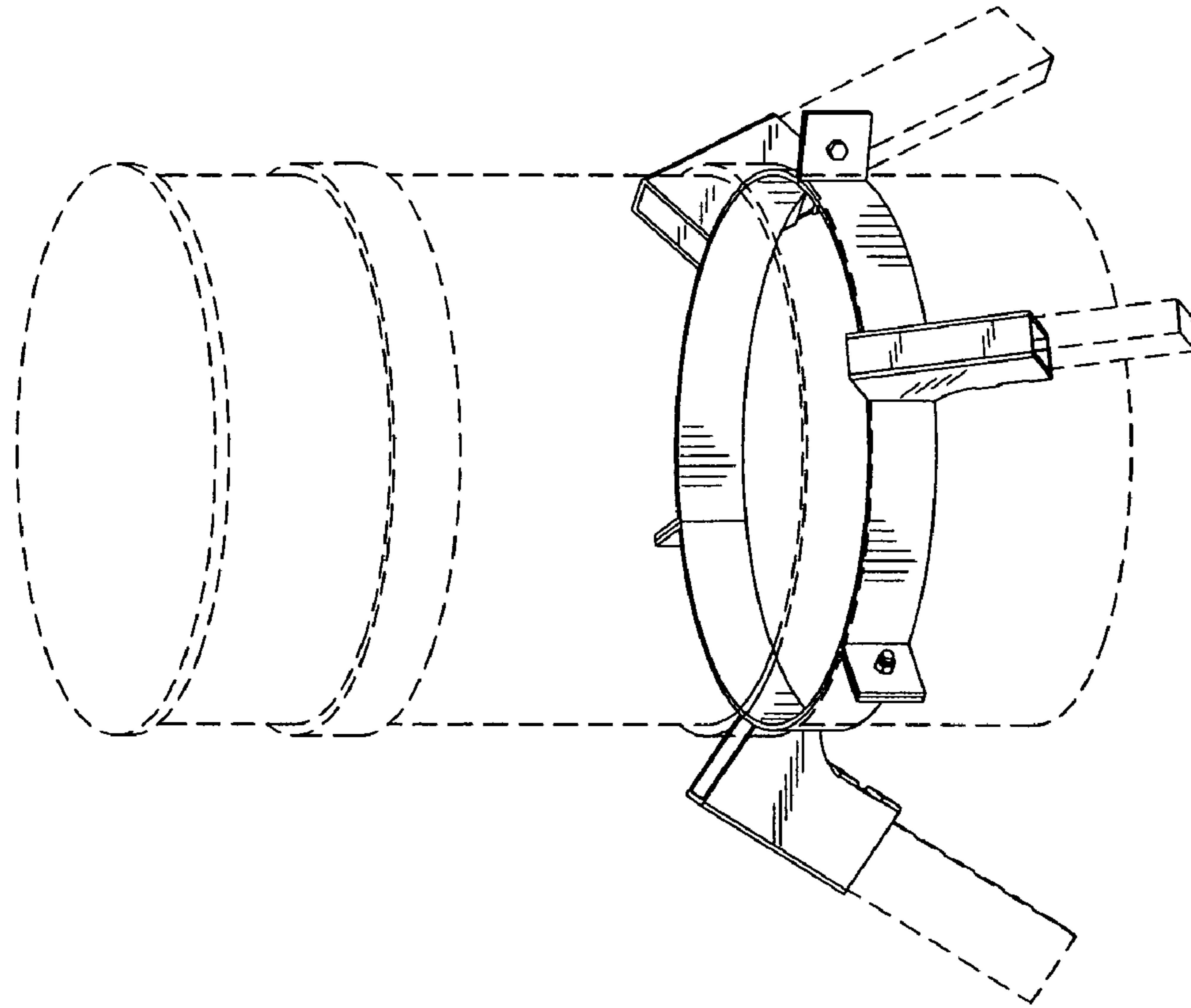


FIG. 1

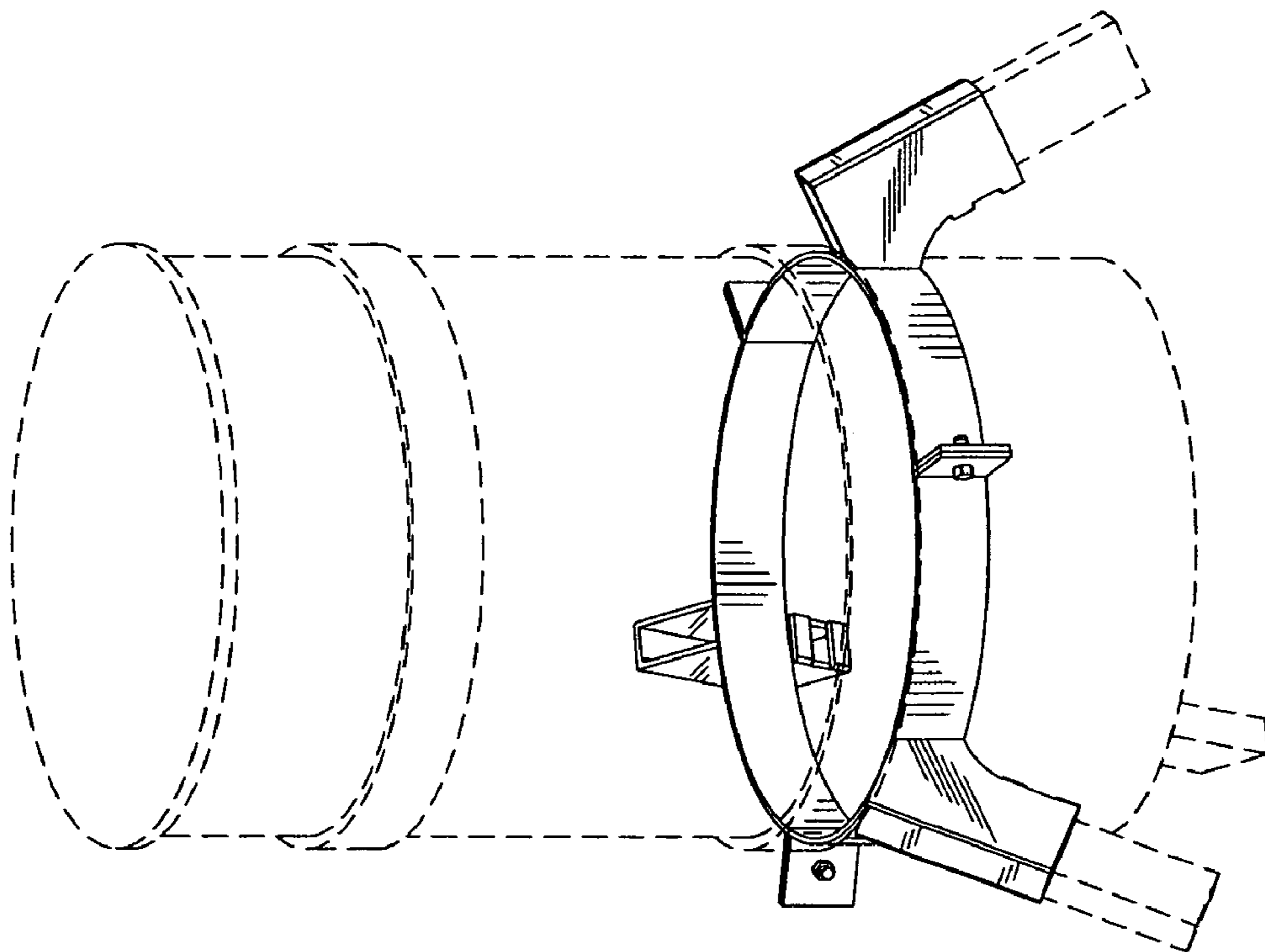


FIG. 2

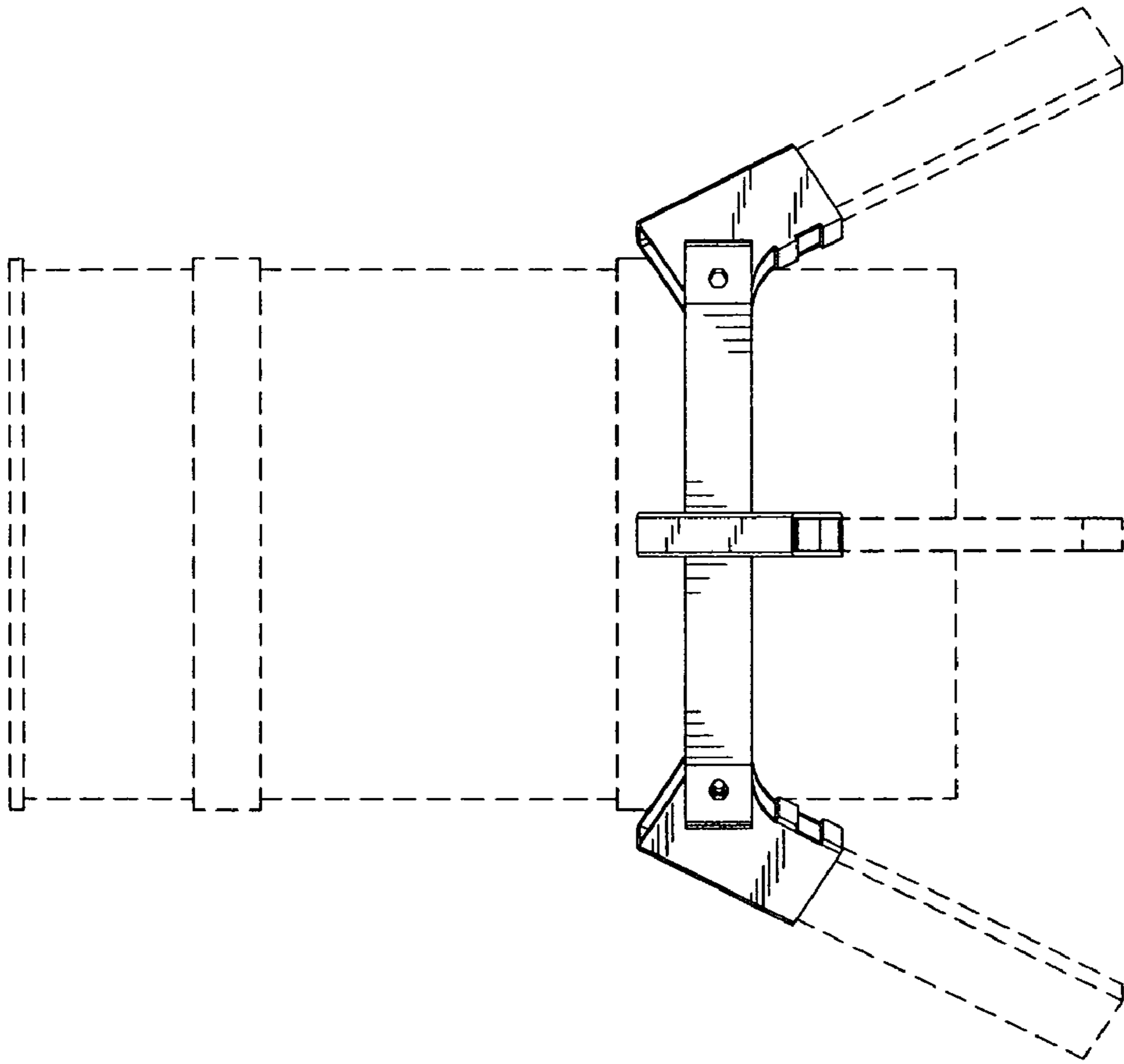


FIG. 4

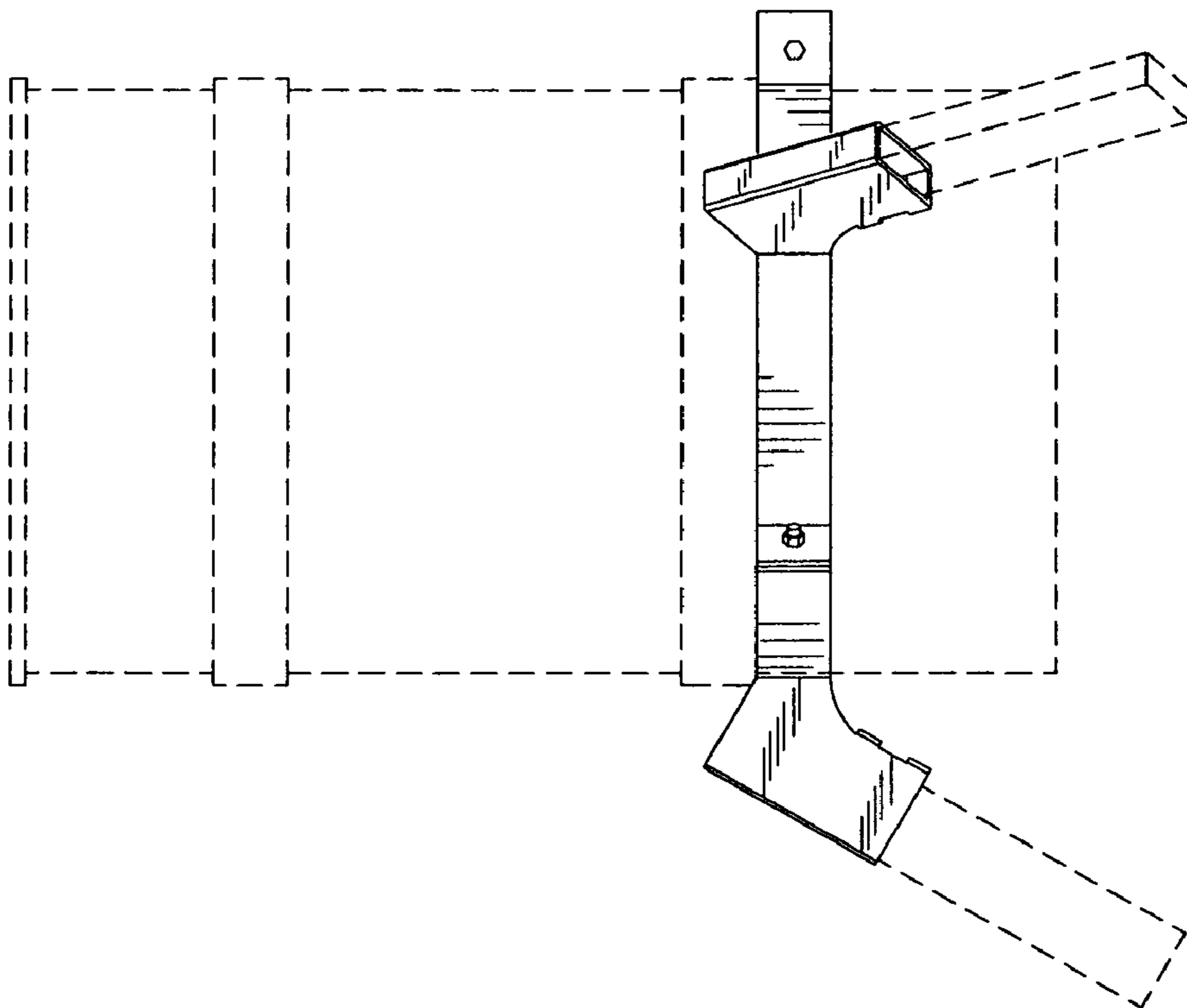


FIG. 3

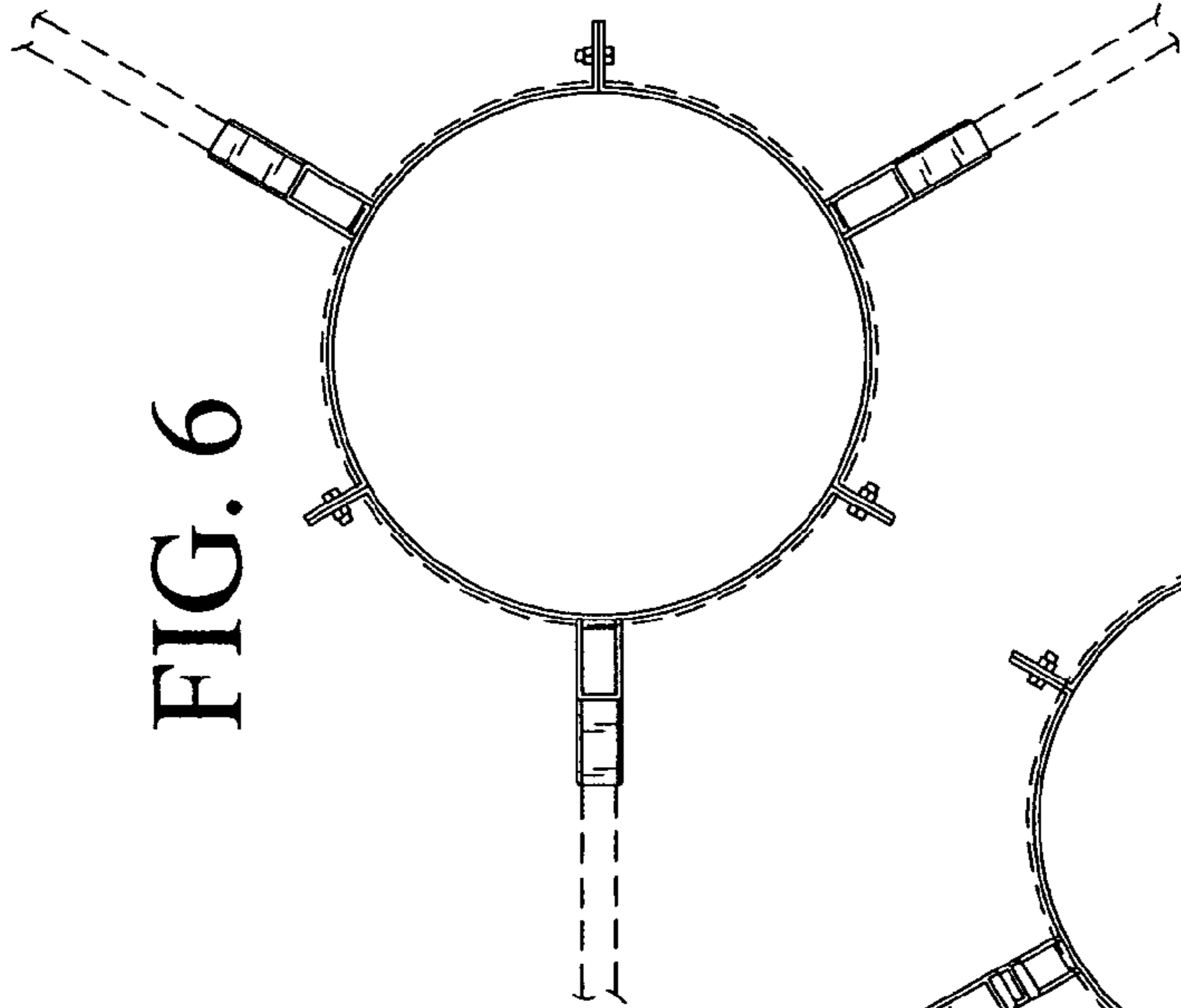


FIG. 6

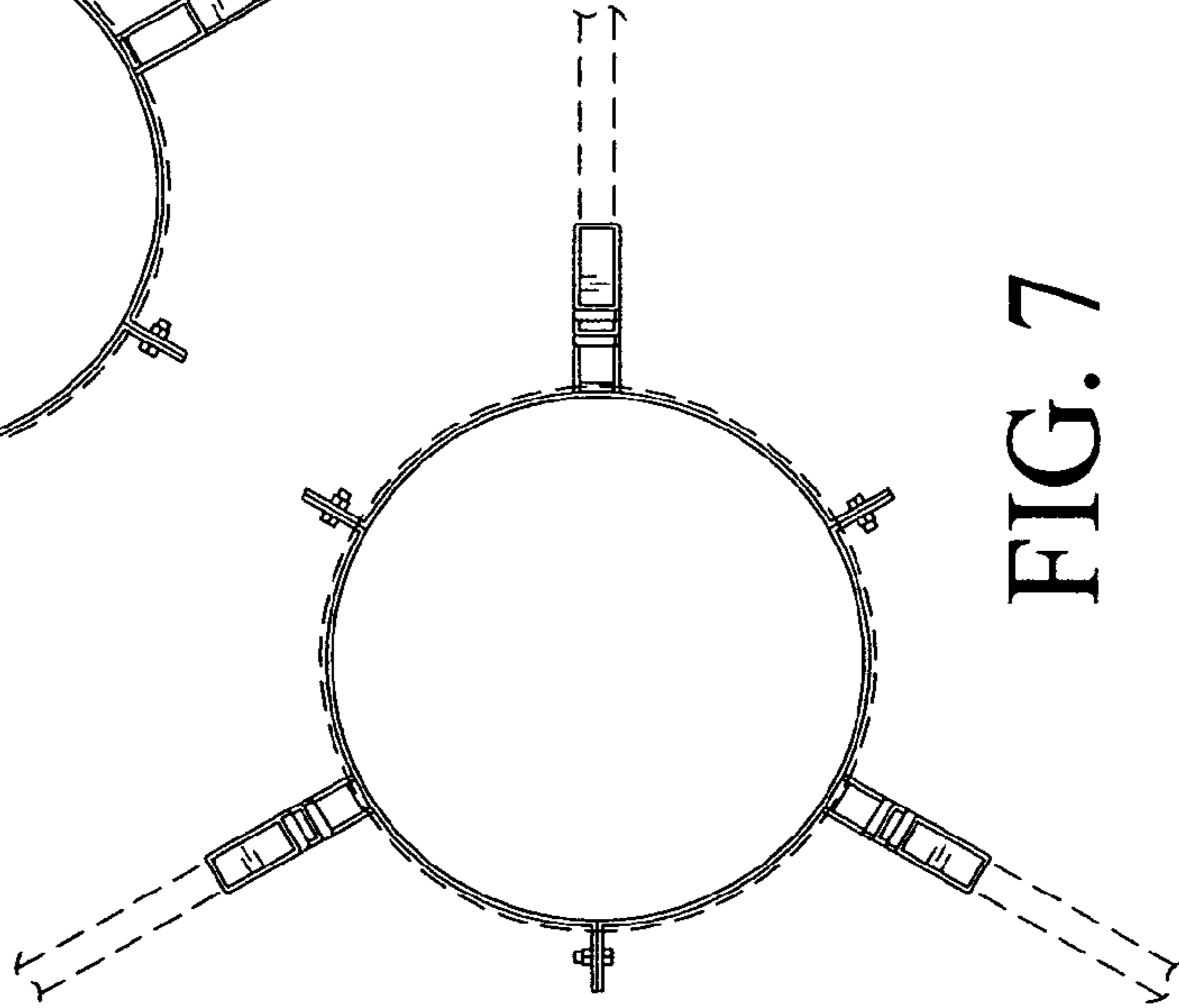


FIG. 7

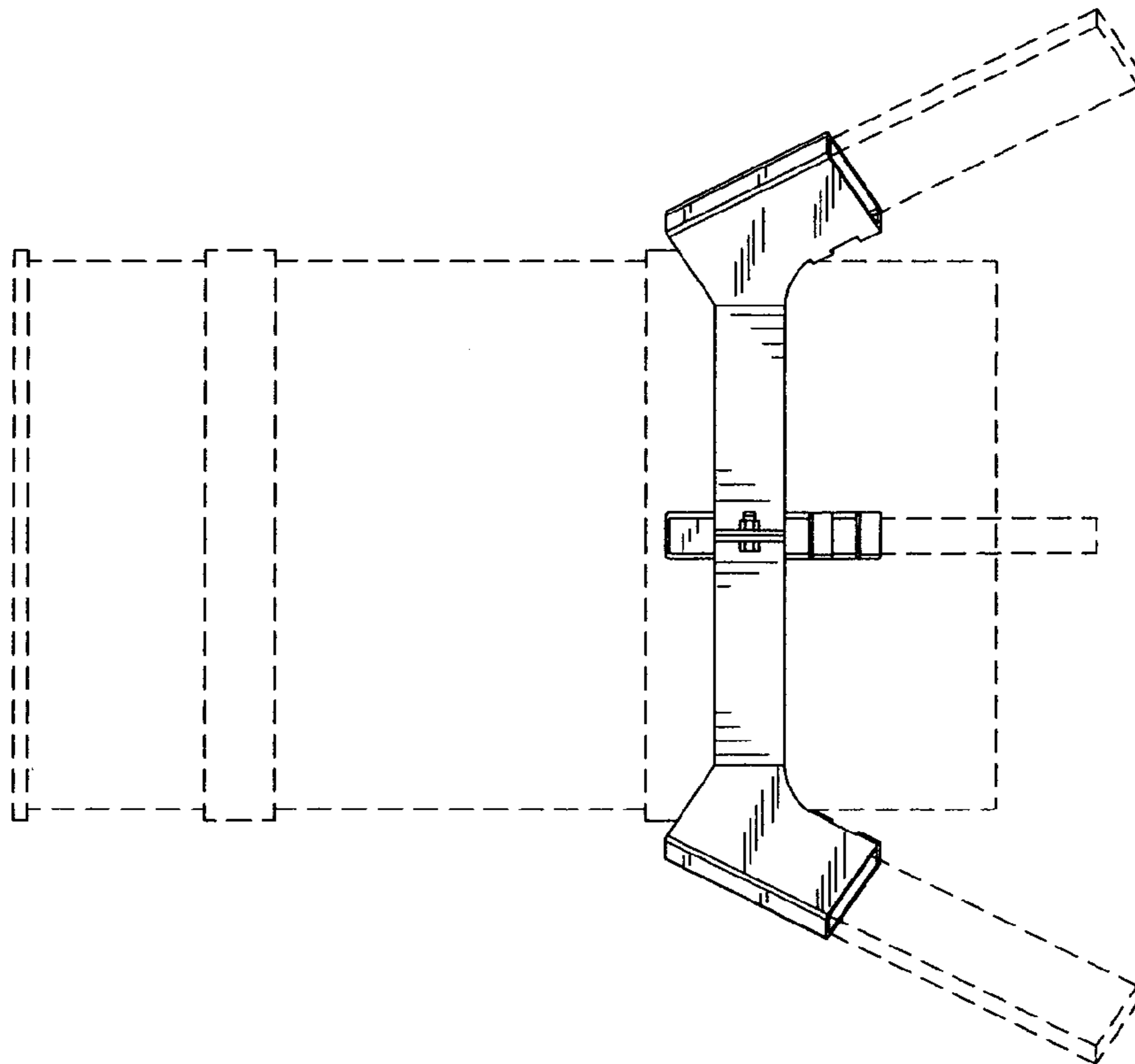


FIG. 5