

US00D548044S

(12) **United States Design Patent**
Tang

(10) **Patent No.:** **US D548,044 S**

(45) **Date of Patent:** **** Aug. 7, 2007**

(54) **SECUREMENT APPARATUS**

(76) Inventor: **Gordon Tang**, 13 Diamond "S" Ranch,
Bellevue, WA (US) 98004

(**) Term: **14 Years**

(21) Appl. No.: **29/207,875**

(22) Filed: **Jun. 18, 2004**

(51) **LOC (8) Cl.** **08-07**

(52) **U.S. Cl.** **D8/343; D8/323; D8/336**

(58) **Field of Classification Search** D8/343,
D8/336, 325, 327, 323, 330, 331, 345, 400,
D8/499; 70/2, 14, 57.1, 202, 258, 416, 429,
70/430, 431; 292/1, 253, 289, 290, 297, 298;
16/82, 85, 221, 231, 232, 233

See application file for complete search history.

(56) **References Cited**

U.S. PATENT DOCUMENTS

D198,670	S	*	7/1964	Anderson	D8/327
D302,937	S	*	8/1989	Briggs	D8/344
5,539,954	A	*	7/1996	Ambar	16/85
5,934,111	A	*	8/1999	Hernandez	70/2
D419,425	S	*	1/2000	Clark et al.	D8/343
6,327,743	B1	*	12/2001	Rashid et al.	16/82
6,327,878	B1	*	12/2001	Levenson	70/14
6,658,906	B1	*	12/2003	Wright	70/455
D500,661	S	*	1/2005	Melin	D8/331

* cited by examiner

Primary Examiner—Prabhakar Deshmukh

(74) *Attorney, Agent, or Firm*—Robert M. Storwick

(57) **CLAIM**

The ornamental design for a securement apparatus, as shown and described.

DESCRIPTION

FIG. 1 is a first perspective view showing my new design in a disengaged position;

FIG. 2 is a front view of my new design in the disengaged position;

FIG. 3 is a rear view of my new design in the disengaged position;

FIG. 4 is a left side elevational view of my new design in the disengaged position;

FIG. 5 is a right side elevational view of my new design in the disengaged position;

FIG. 6 is a top view of my new design in the disengaged position;

FIG. 7 is a bottom view of my new design in the disengaged position;

FIG. 8 is a second perspective view showing my new design in an engaged position;

FIG. 9 is a front view of my new design in the engaged position;

FIG. 10 is a rear view of my new design in the engaged position;

FIG. 11 is a left side elevational view of my new design in the engaged position;

FIG. 12 is a right side elevational view of my new design in the engaged position;

FIG. 13 is a top view of my new design in the disengaged position; and,

FIG. 14 is a bottom view of my new design in the engaged position.

It is to be understood that the present invention could also take the form of mirror images of the Figures.

1 Claim, 4 Drawing Sheets

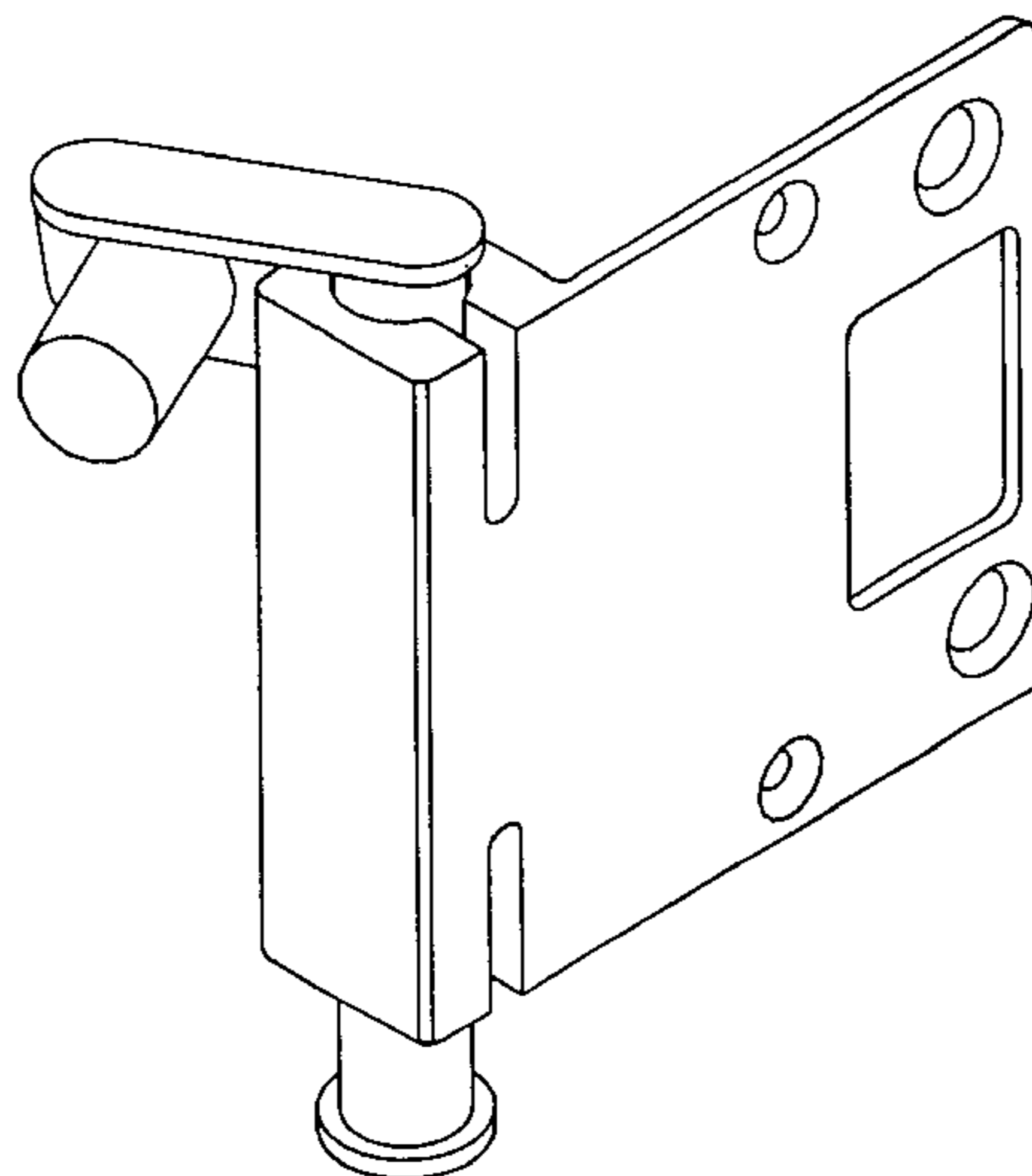


FIG. 1

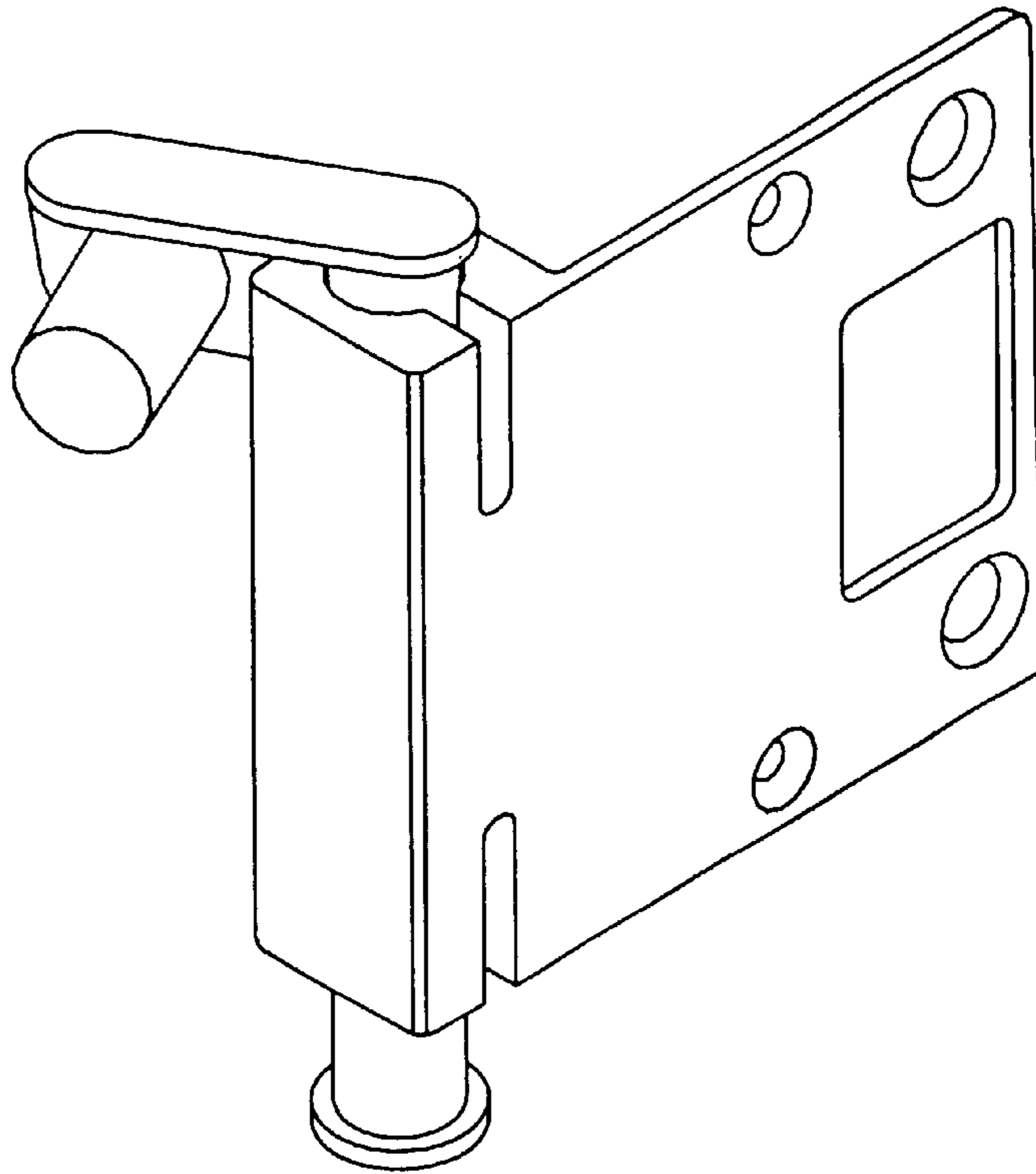


FIG. 2

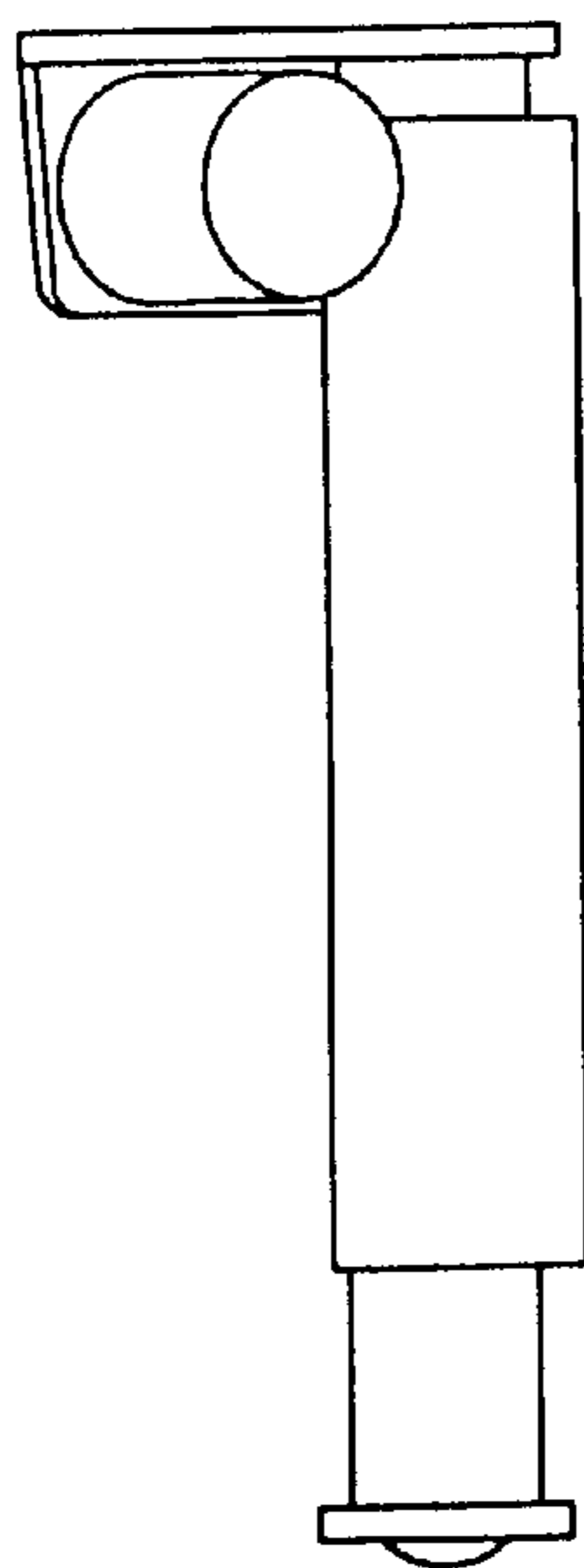


FIG. 3

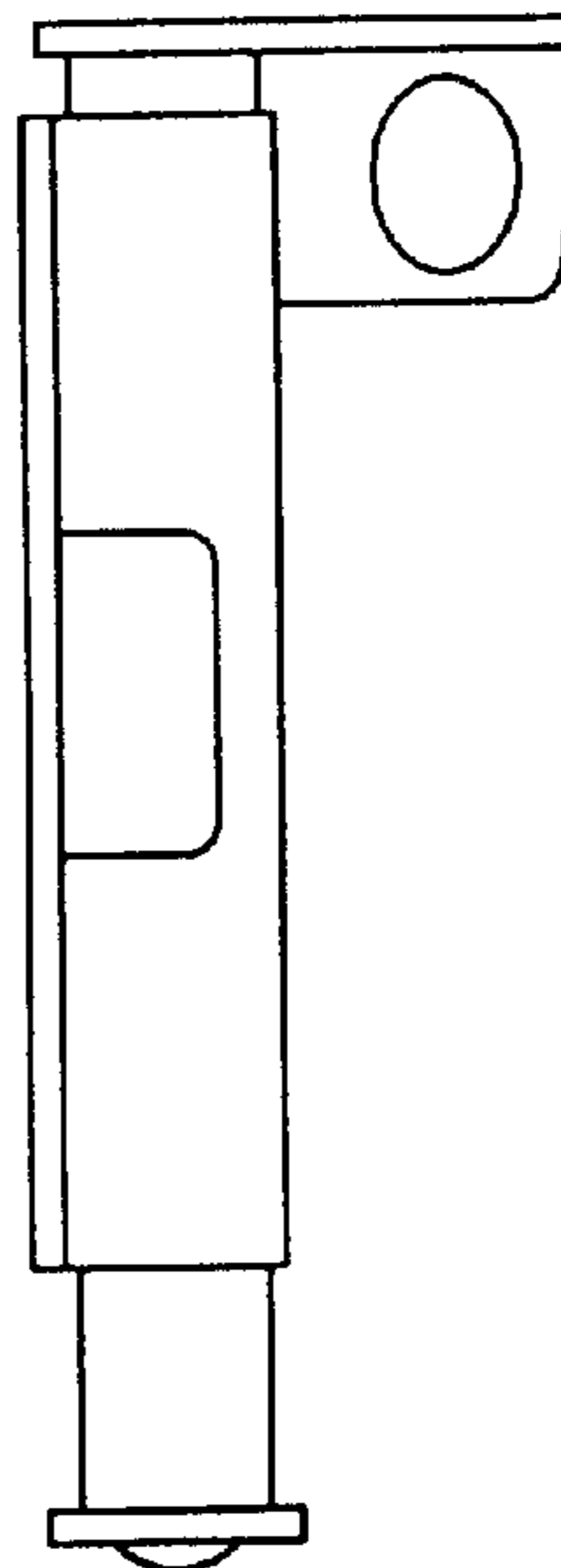


FIG. 4

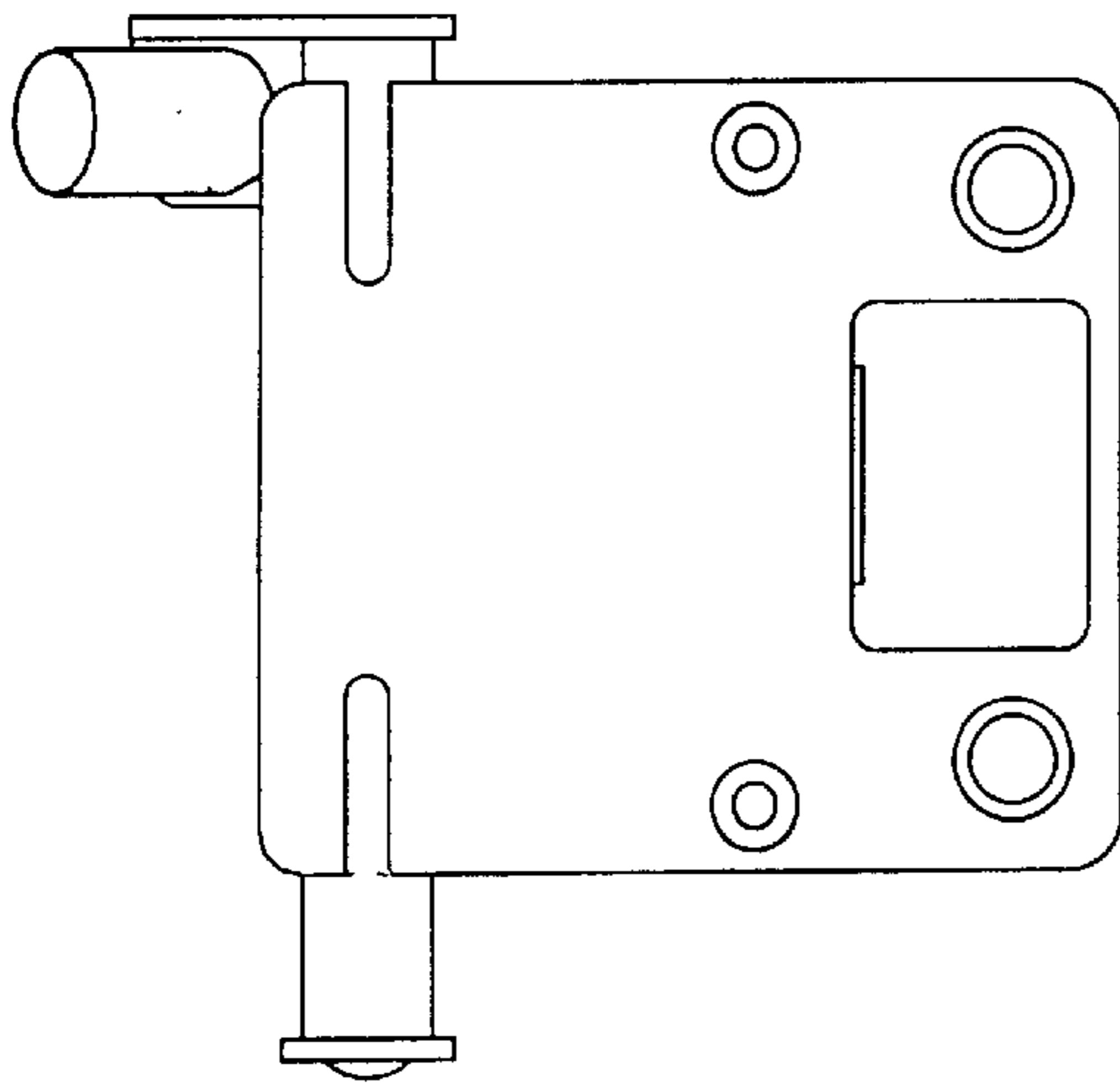
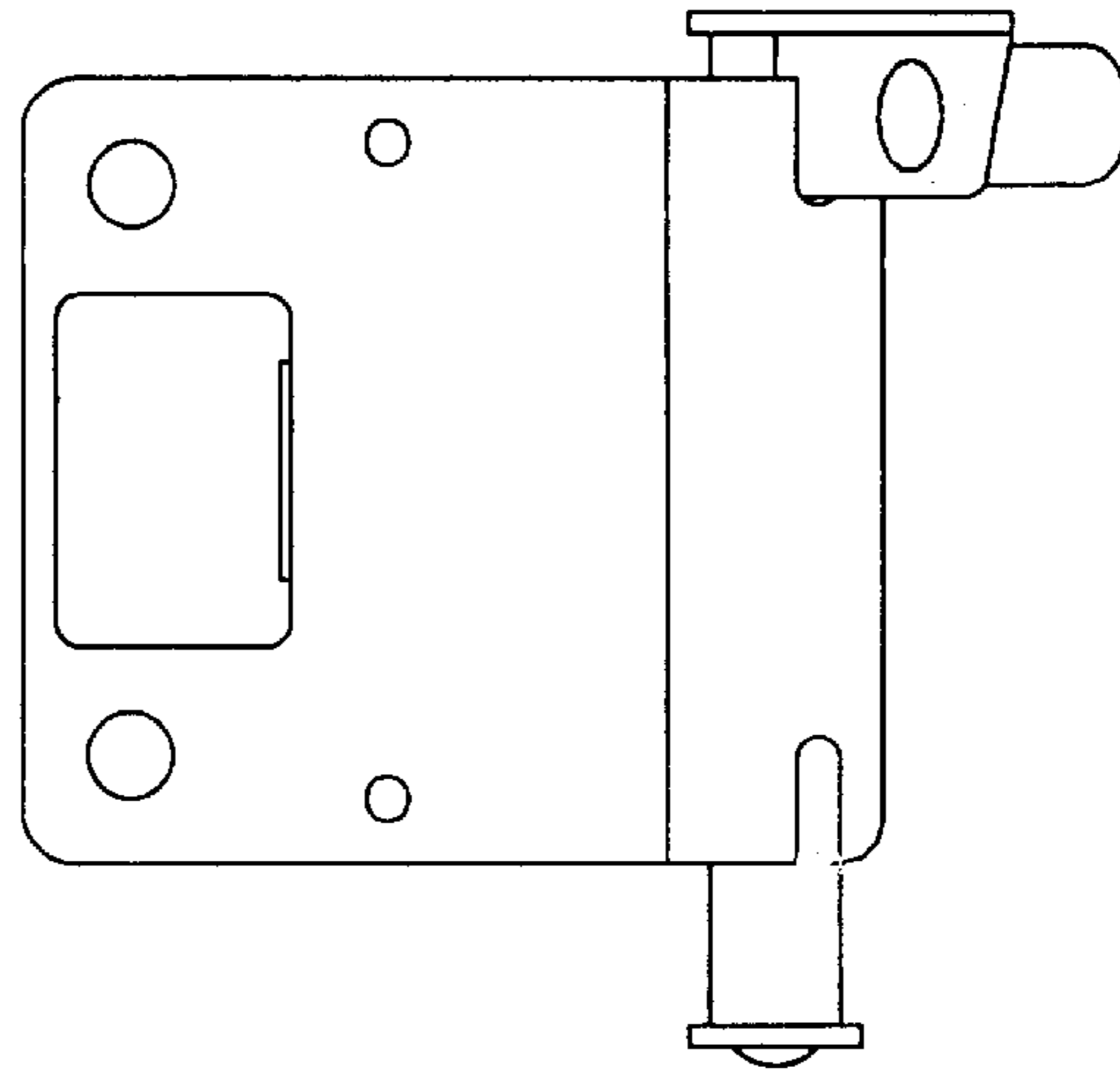


FIG. 5

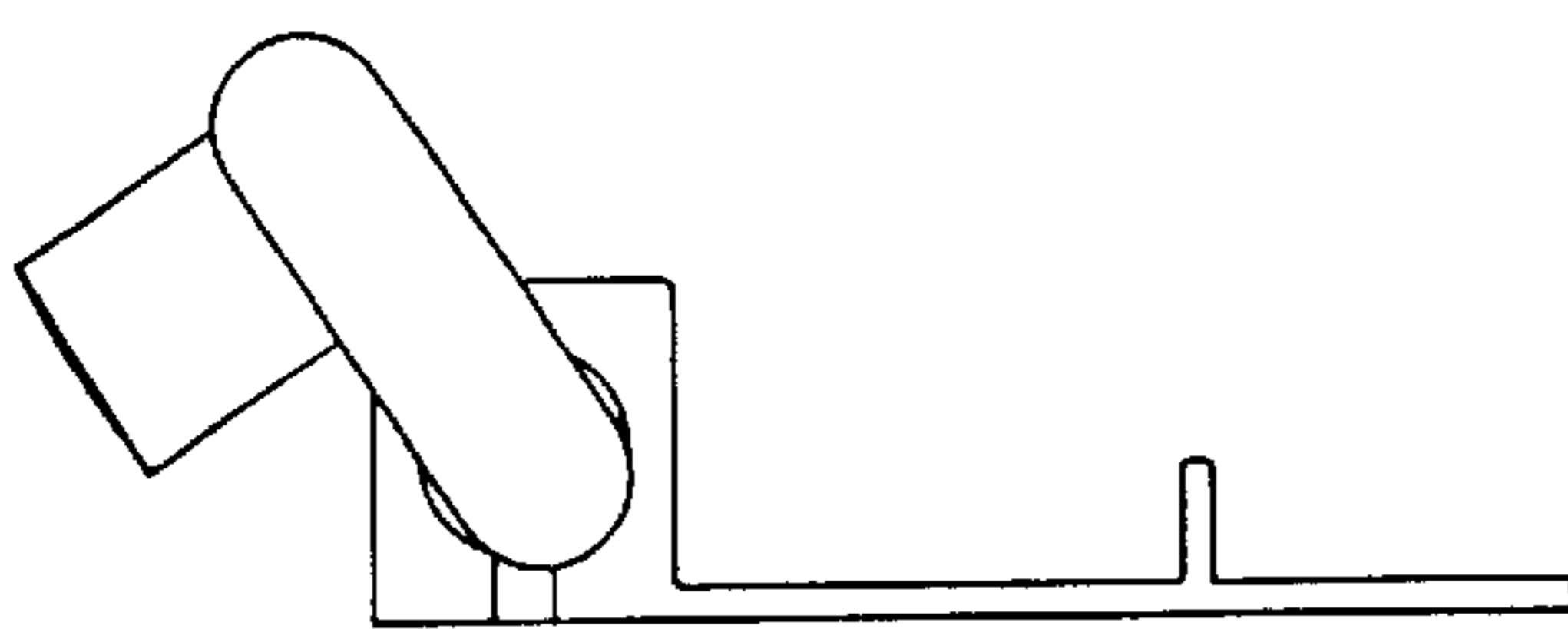


FIG. 6

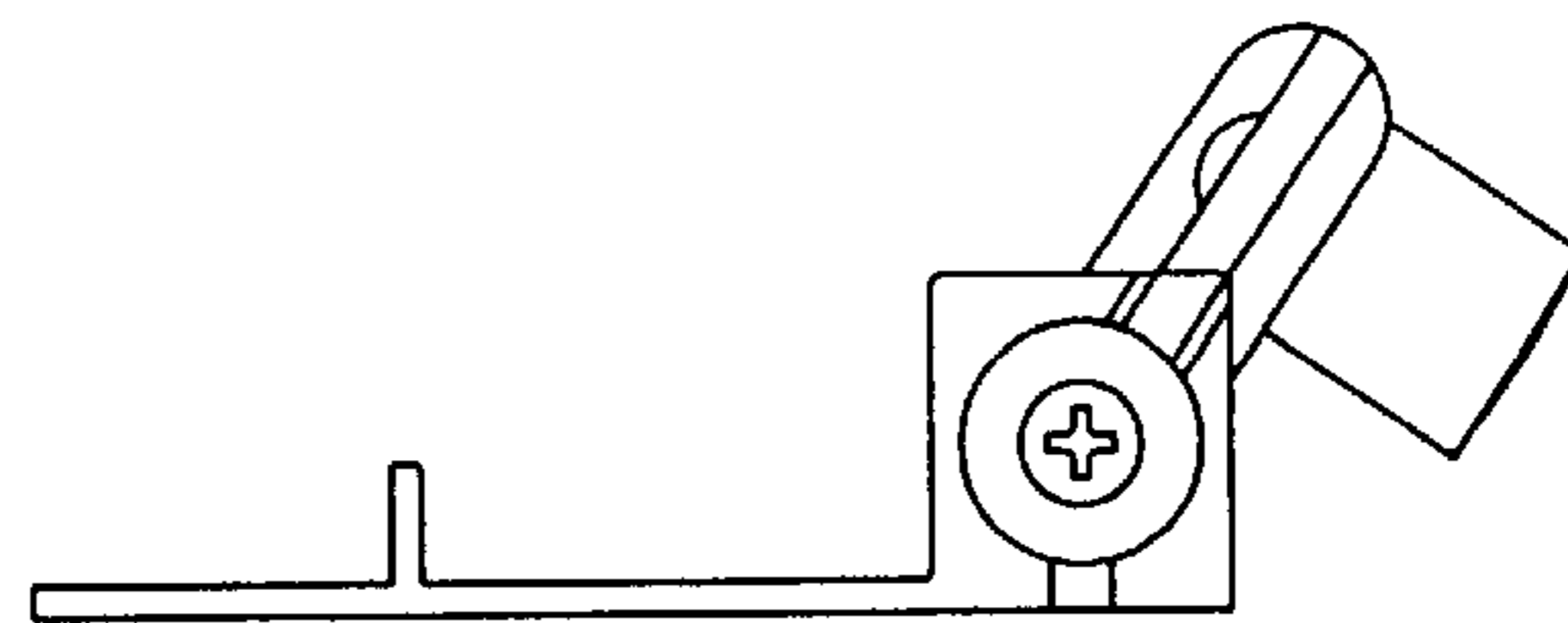


FIG. 7

FIG. 8

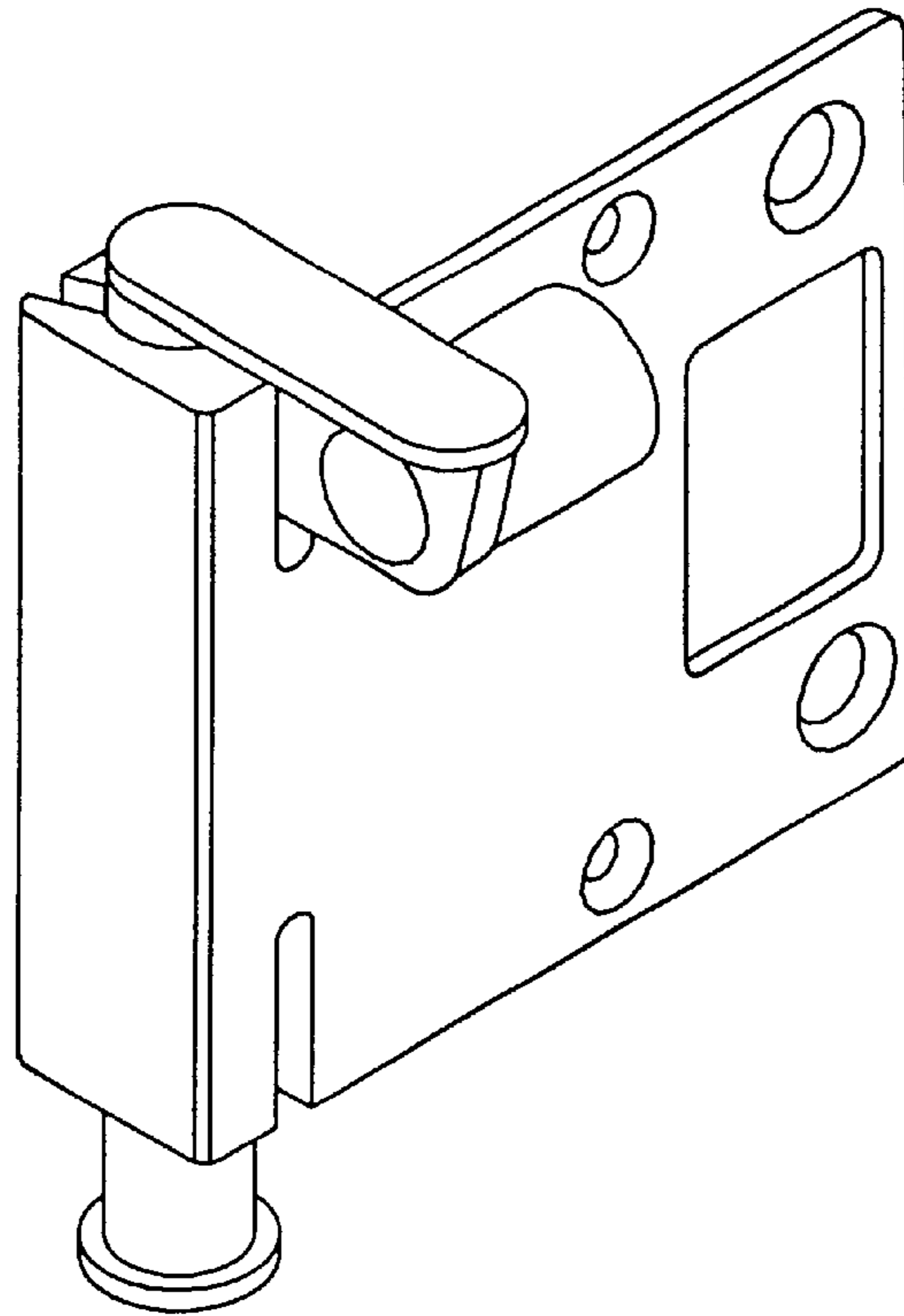


FIG. 9

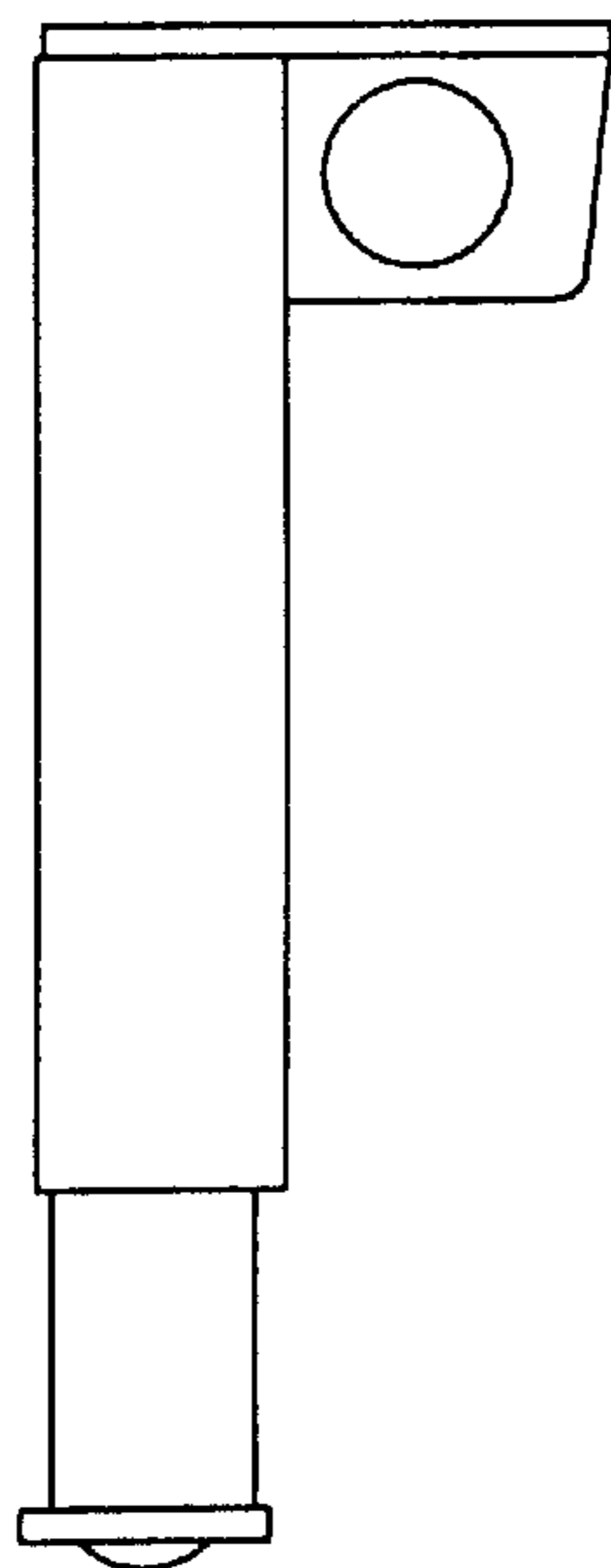


FIG. 10

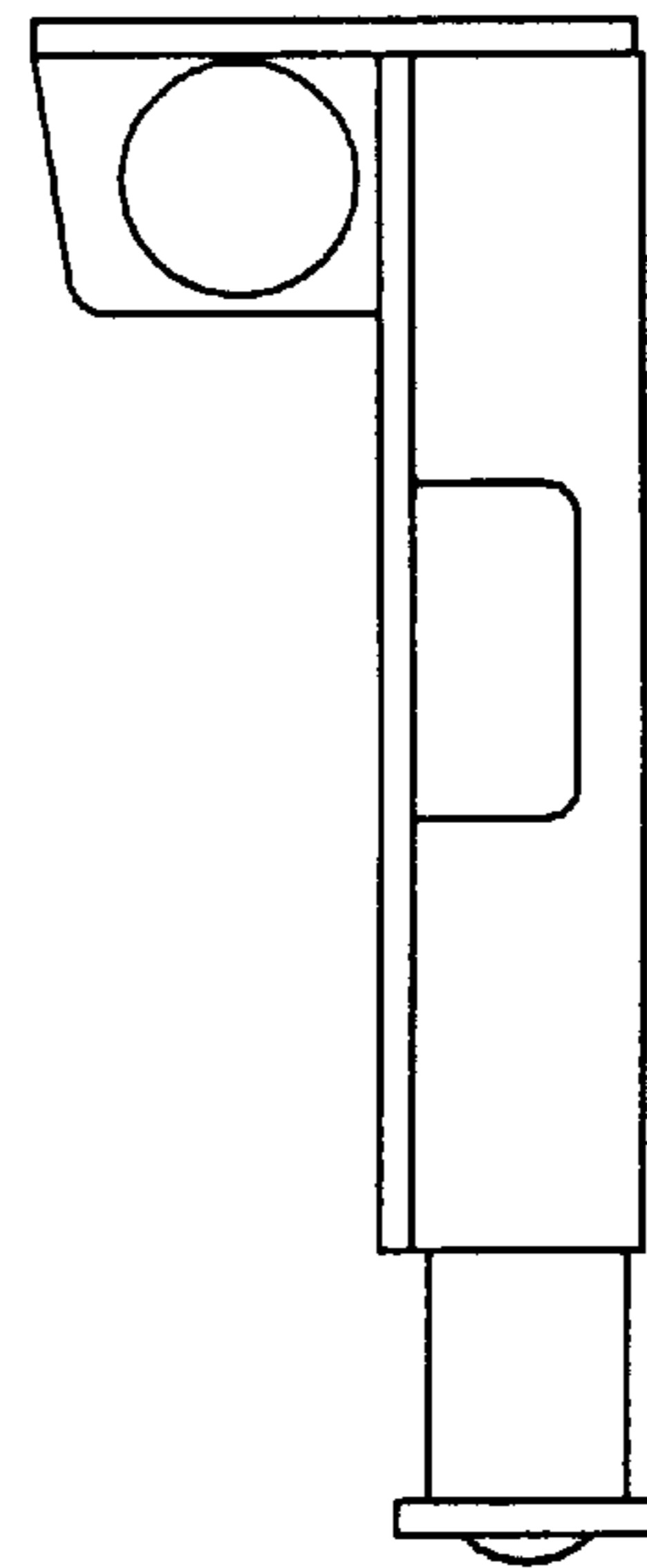


FIG. 11

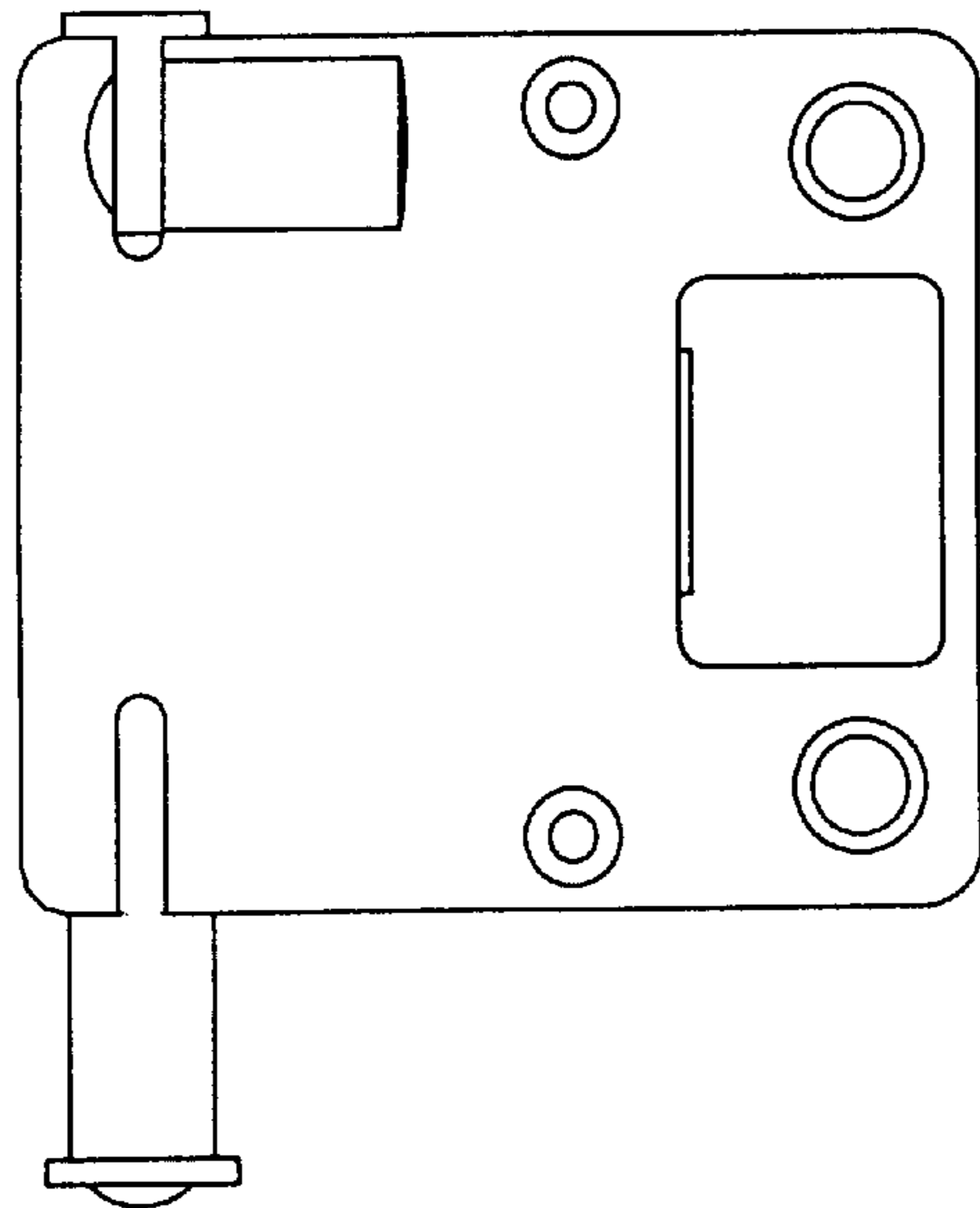
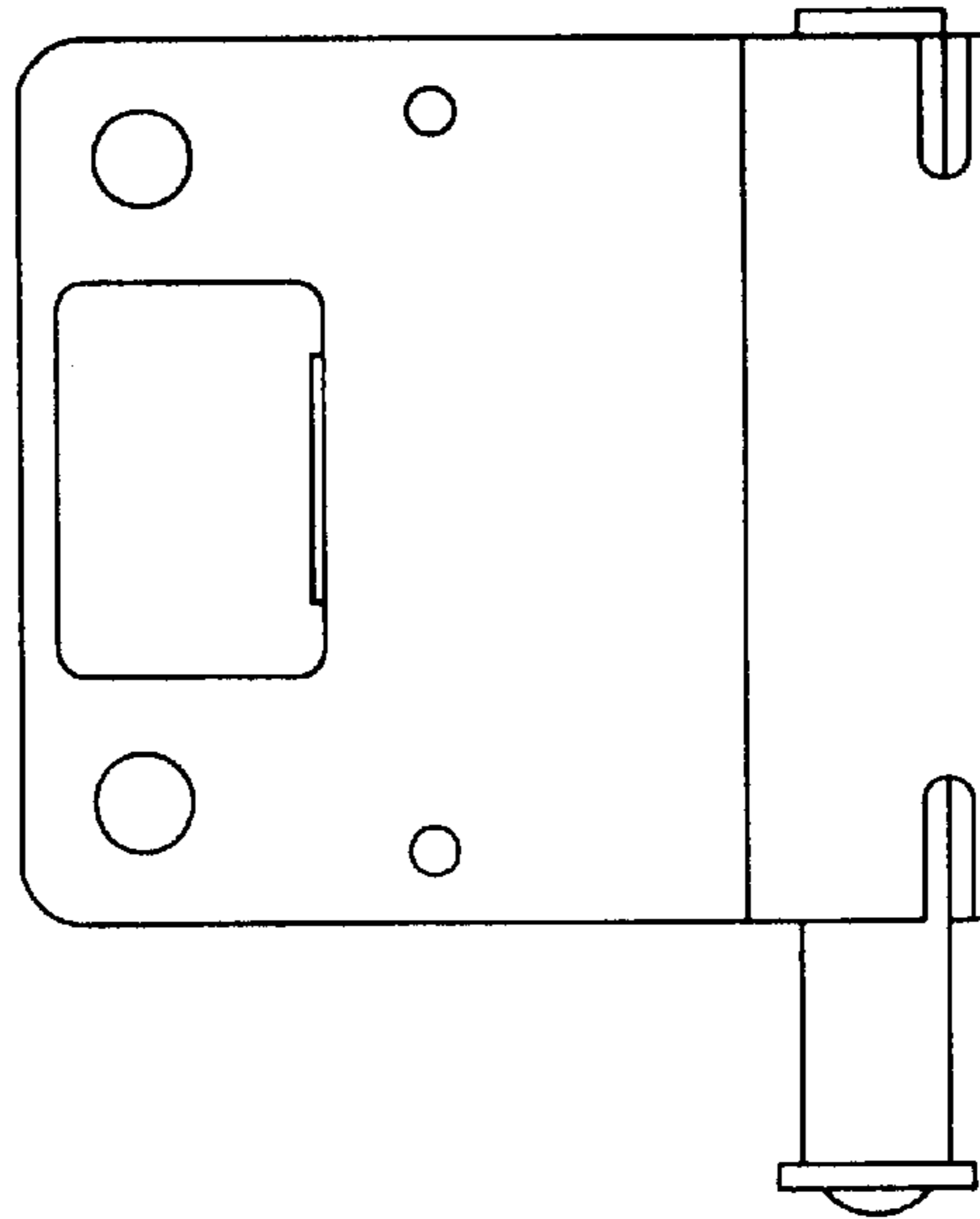


FIG. 12

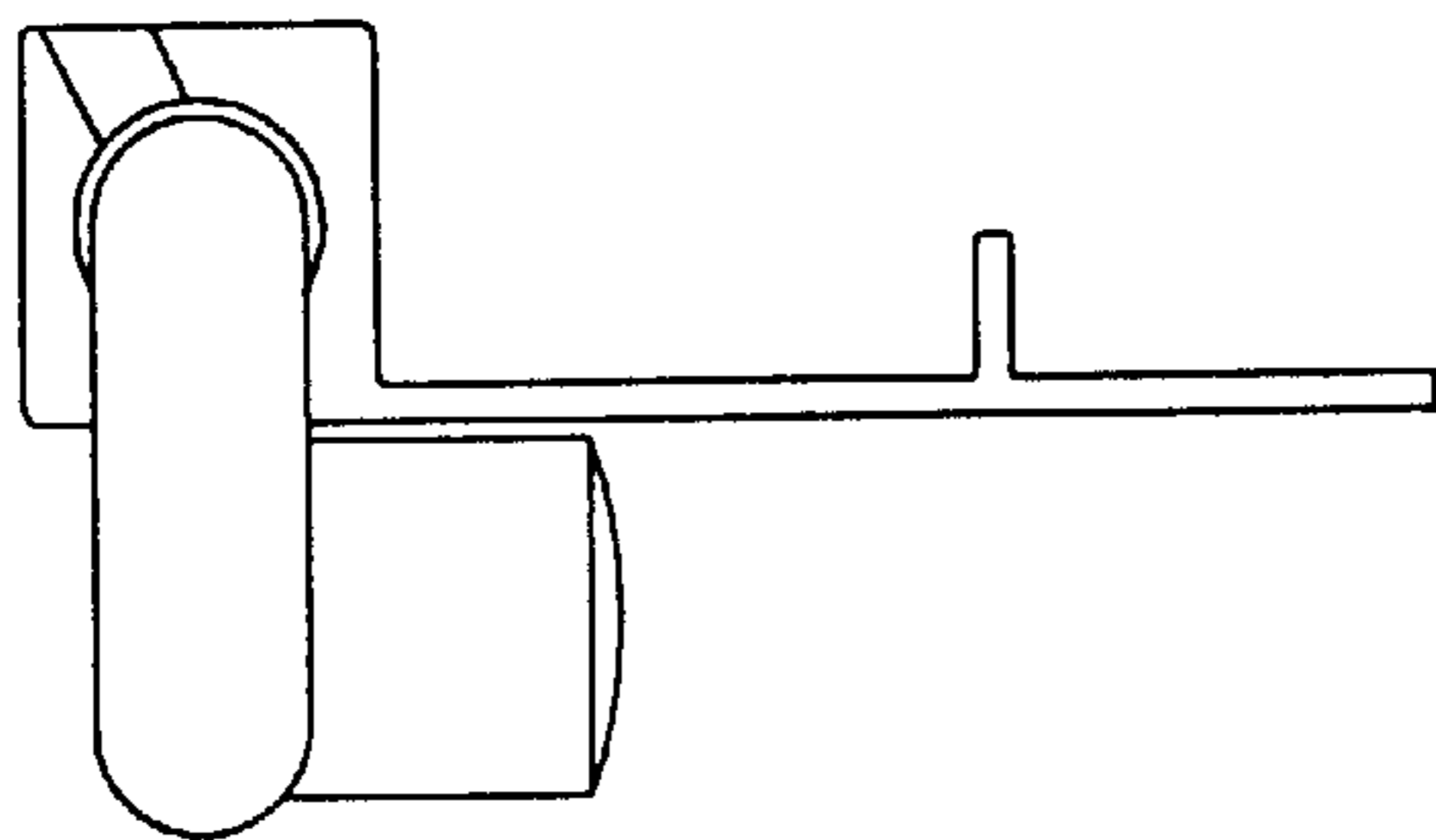


FIG. 13

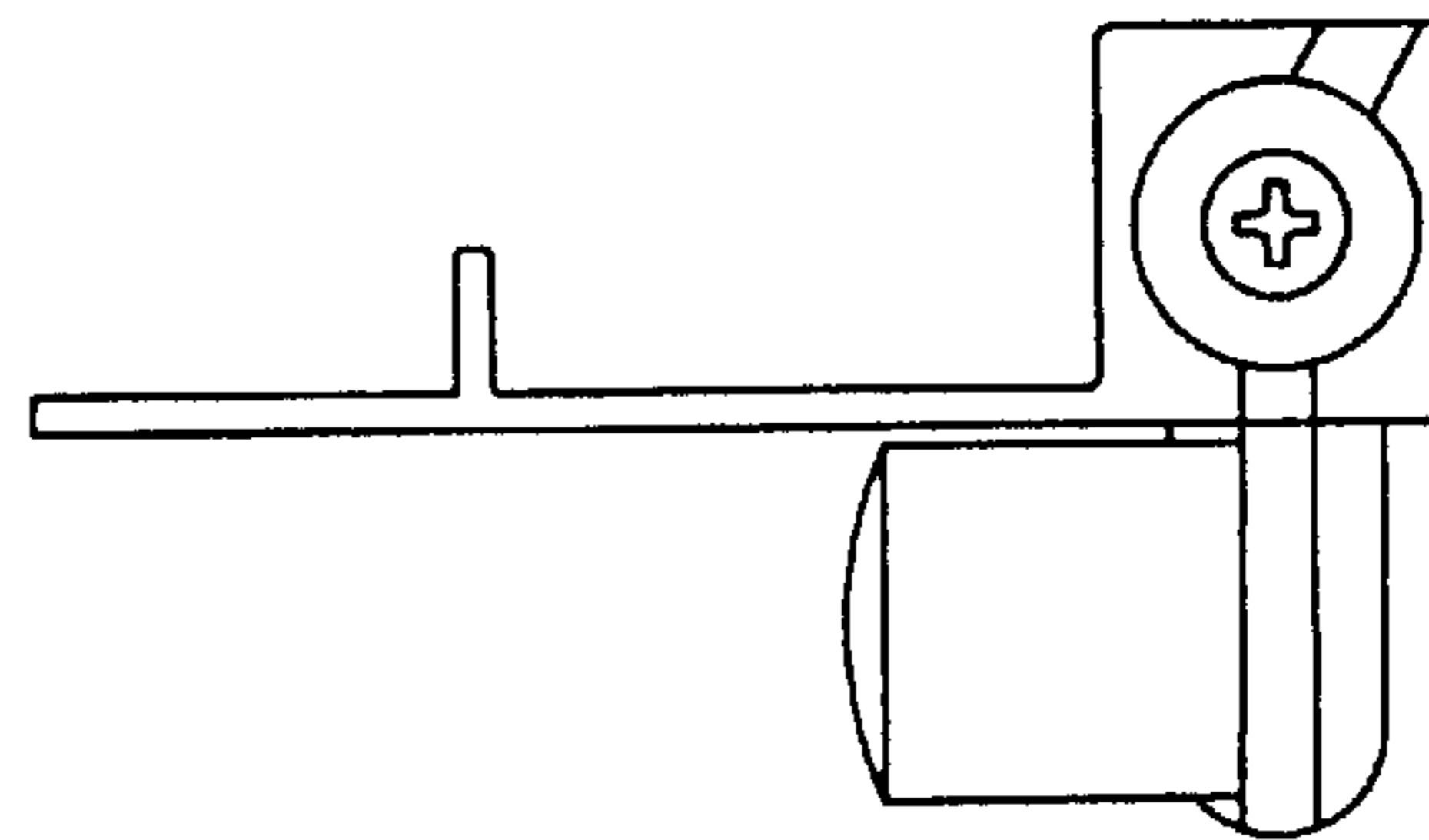


FIG. 14