

US00D548043S

(12) **United States Design Patent**  
**Yang**

(10) **Patent No.:** **US D548,043 S**

(45) **Date of Patent:** **\*\* Aug. 7, 2007**

(54) **COMBINATION LOCK**

*Primary Examiner*—Mitchell Siegel

(74) *Attorney, Agent, or Firm*—Browdy and Nemark, PLLC

(76) **Inventor:** **Yao-Kun Yang**, No. 101, Lane 93,  
Chang Lu Road, Chang Hua City (TW)

(57) **CLAIM**

(\*\*) **Term:** **14 Years**

The ornamental design for a combination lock, as shown.

(21) **Appl. No.:** **29/253,330**

(22) **Filed:** **Feb. 6, 2006**

**DESCRIPTION**

(51) **LOC (8) Cl.** ..... **08-07**

FIG. 1 shows a perspective view of the present design.

(52) **U.S. Cl.** ..... **D8/334**

FIG. 2 shows a right side elevational view of the present design.

(58) **Field of Classification Search** ..... D8/330–348;  
70/20–29, 53, 54, 38 R, 38 A, 233, 285

FIG. 3 shows a top plan view of the present design.

See application file for complete search history.

FIG. 4 shows a front elevational view of the present design.

(56) **References Cited**

FIG. 5 shows a bottom plan view of the present design.

**U.S. PATENT DOCUMENTS**

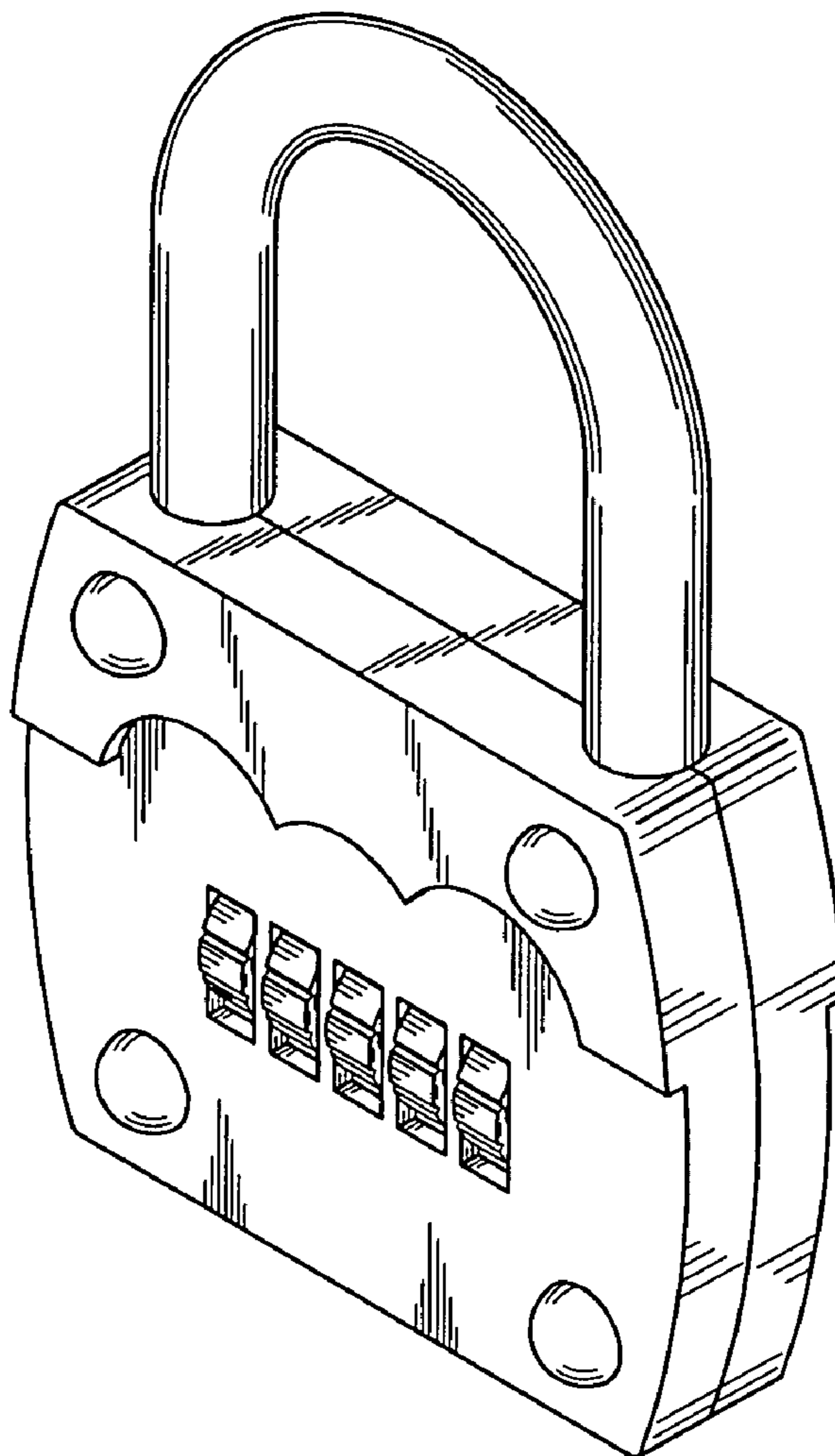
FIG. 6 shows a left side elevational view of the present design; and,

D316,955 S \* 5/1991 Goida et al. .... D8/334  
6,530,248 B1 \* 3/2003 Parker ..... 70/14

FIG. 7 shows a rear elevational view of the present design.

\* cited by examiner

**1 Claim, 3 Drawing Sheets**



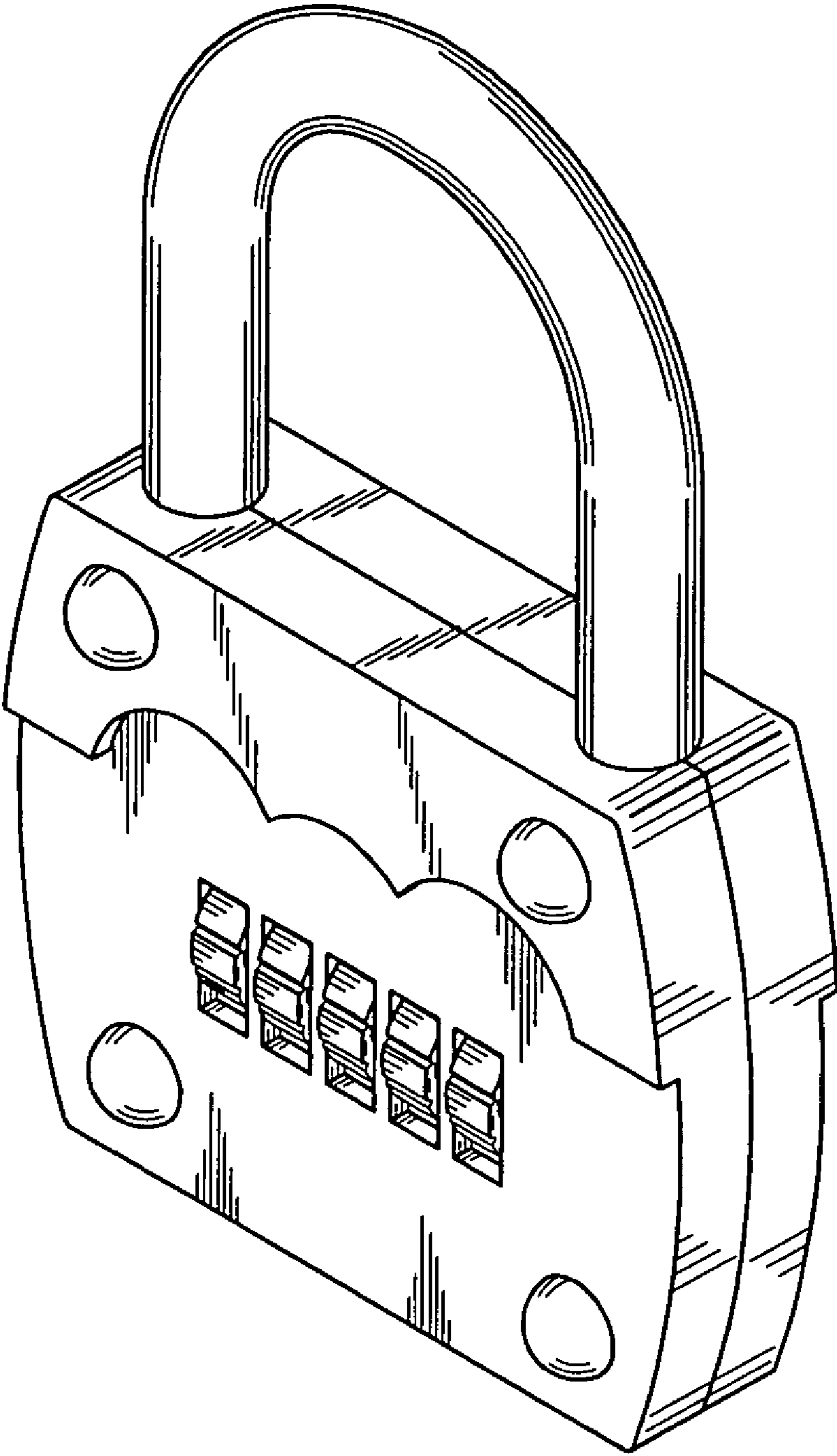


FIG. 1

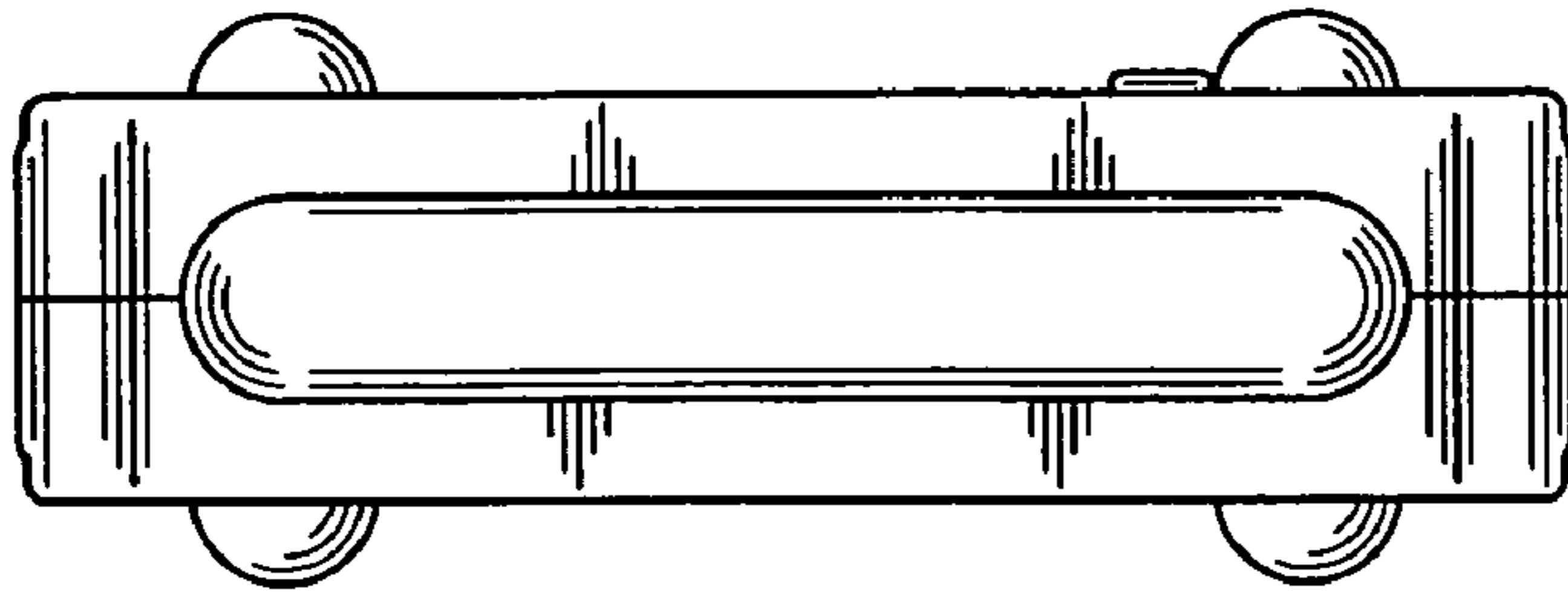


FIG. 3

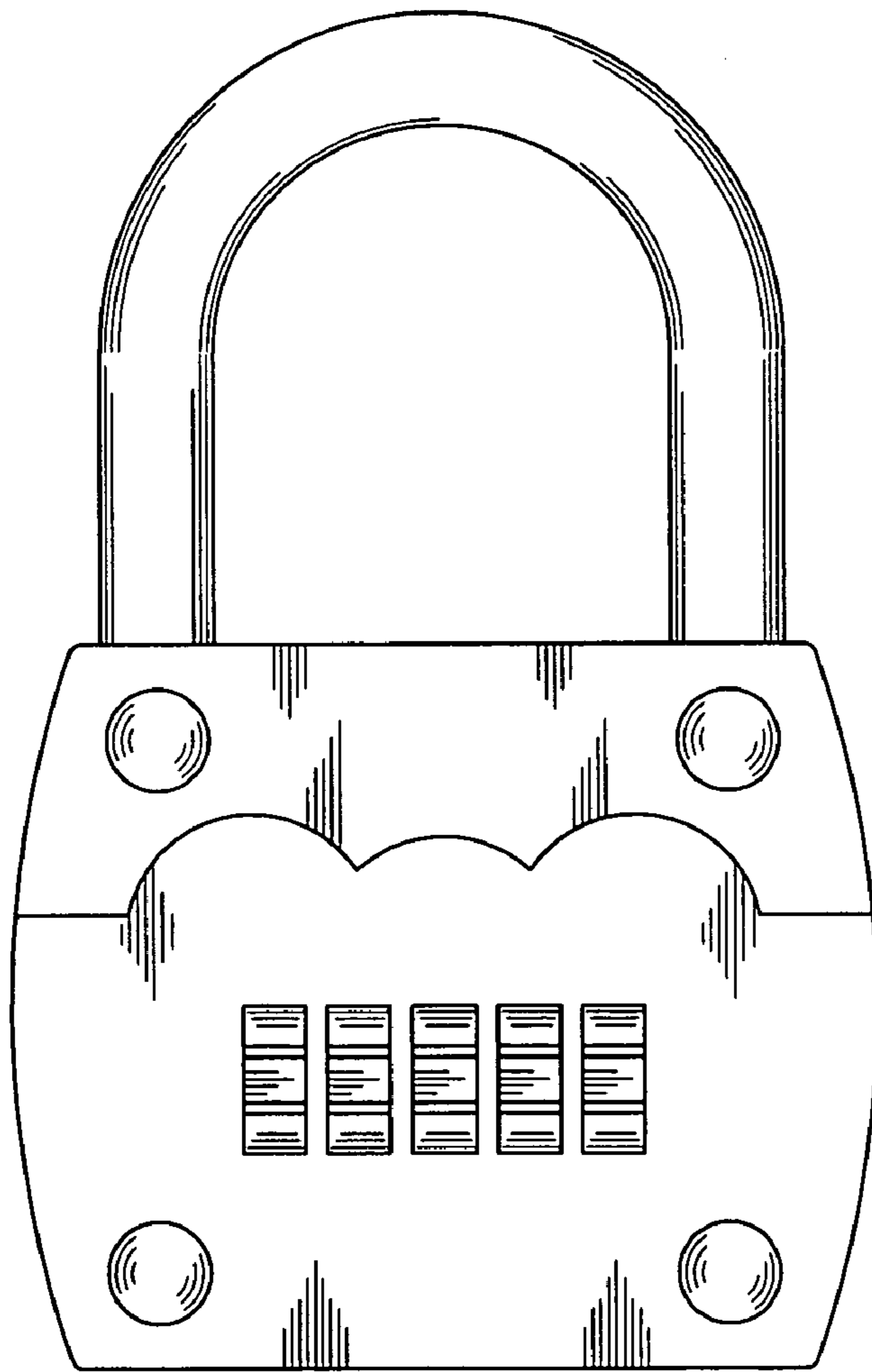


FIG. 4

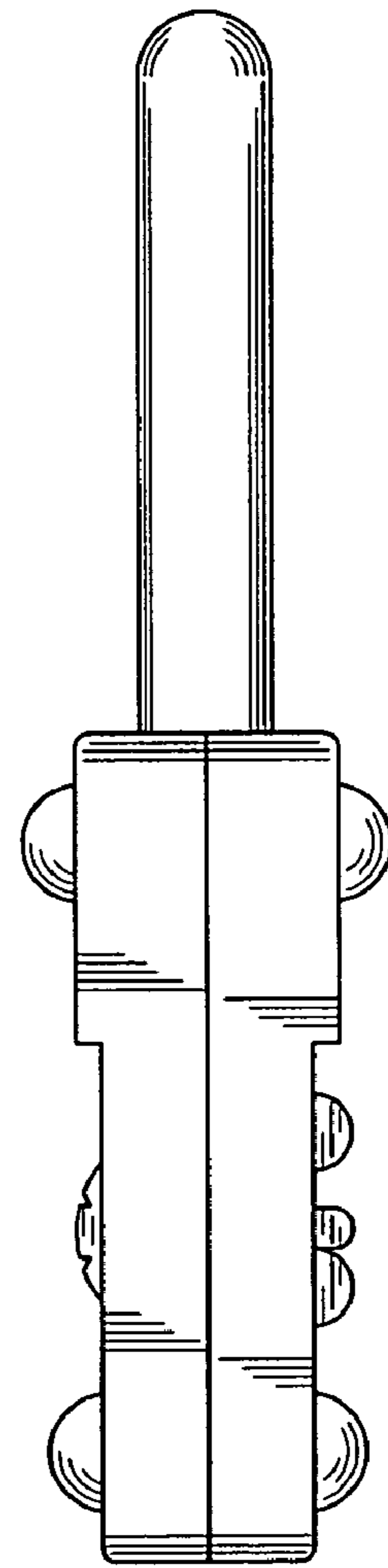


FIG. 2

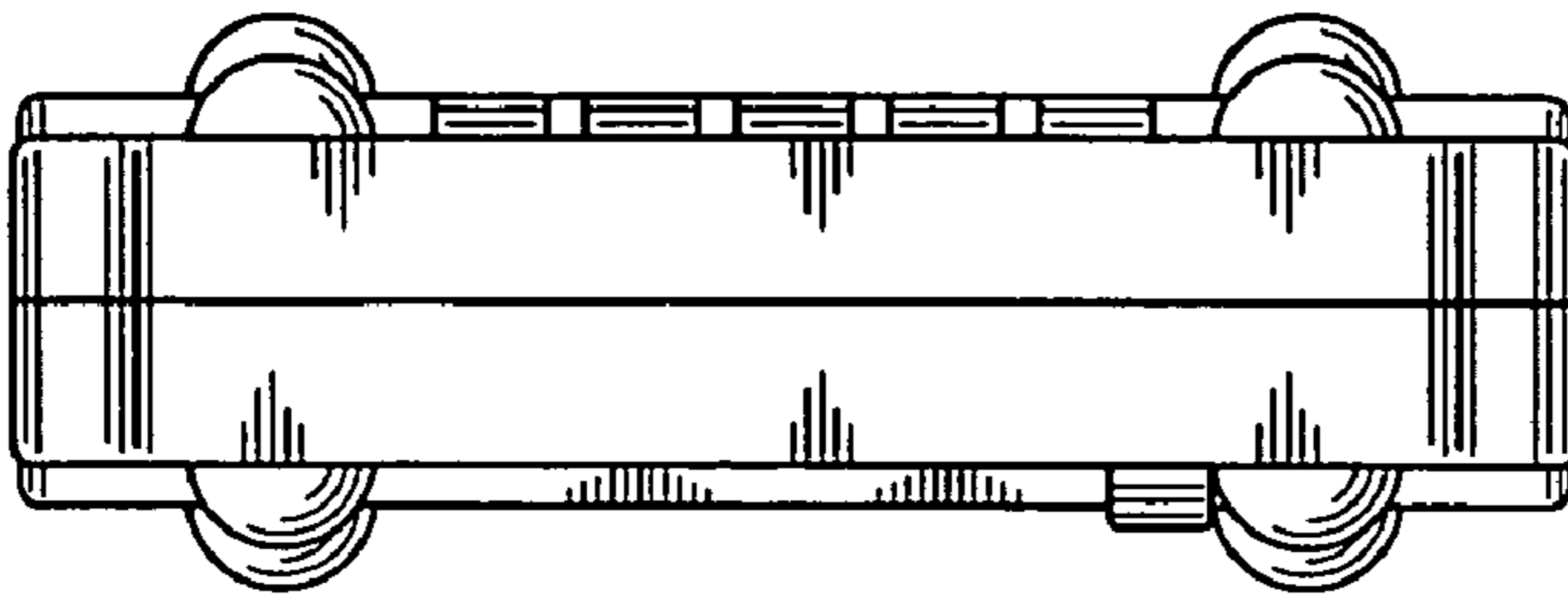


FIG. 5

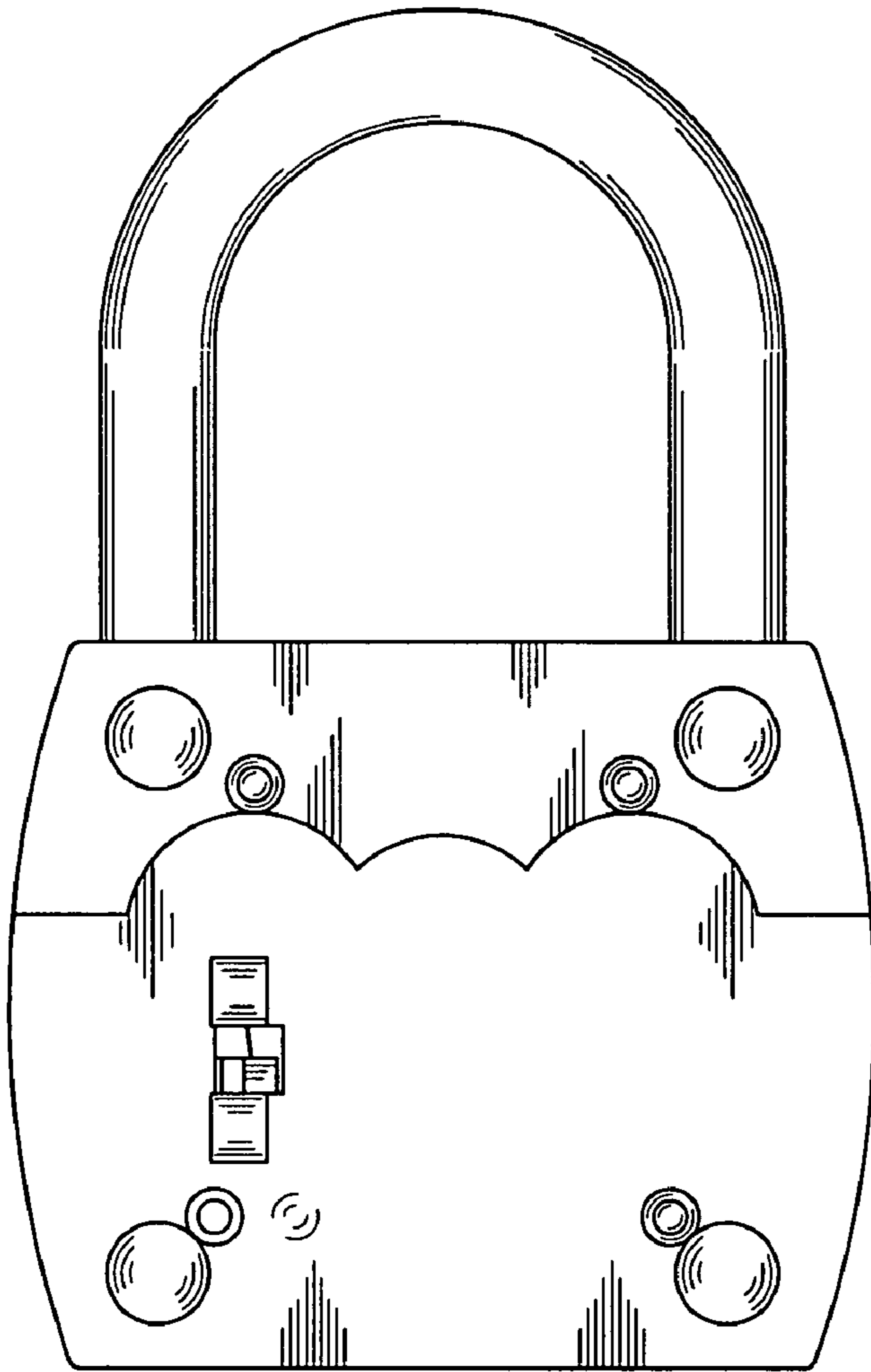


FIG. 7

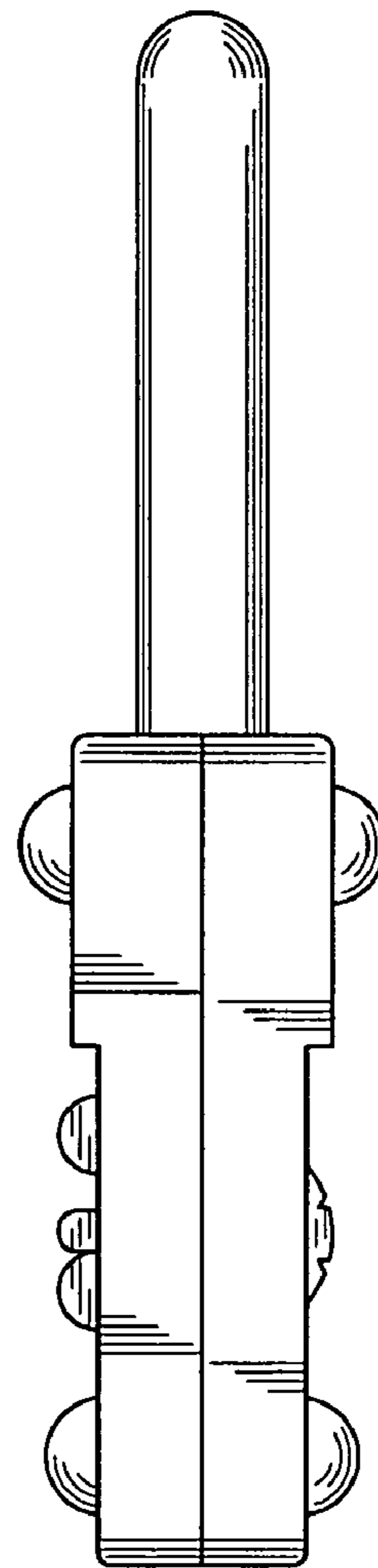


FIG. 6