



US00D548039S

(12) **United States Design Patent**
Henriott

(10) **Patent No.:** **US D548,039 S**

(45) **Date of Patent:** **** Aug. 7, 2007**

(54) **DRAWER AND DOOR PULL**

(75) Inventor: **Jay M. Henriott**, Jasper, IN (US)

(73) Assignee: **Kimball International, Inc.**, Jasper, IN (US)

(**) Term: **14 Years**

(21) Appl. No.: **29/246,966**

(22) Filed: **May 23, 2006**

(51) **LOC (8) Cl.** **08-06**

(52) **U.S. Cl.** **D8/313; D8/315; D8/317**

(58) **Field of Classification Search** D8/300,
D8/313, 314, 315, 317, 319; D25/41, 43,
D25/68, 69, 136, 138; 16/110.1, 416; 70/21,
70/92; 52/579, 588.1, 589.1, 590.1; 292/21,
292/92, 93, 227

See application file for complete search history.

(56) **References Cited**

U.S. PATENT DOCUMENTS

3,107,389	A *	10/1963	Engelbrecht	16/416
3,663,047	A *	5/1972	Zawadzki	292/92
D264,932	S *	6/1982	Miller et al.	D8/315
4,384,738	A *	5/1983	Floyd	292/92
D290,336	S	6/1987	Paul		
4,785,286	A *	11/1988	Martin	340/545.7
4,961,330	A *	10/1990	Evans	70/21

4,976,476	A *	12/1990	Cross et al.	292/92
D318,410	S *	7/1991	Mohn	D8/302
5,074,009	A	12/1991	Simonton et al.		
D344,007	S	2/1994	Jans		
D350,273	S *	9/1994	Jans	D8/317
D431,996	S	10/2000	Short		
6,205,825	B1 *	3/2001	Haeck et al.	70/92
D442,707	S *	5/2001	Kulik	D25/138
D450,998	S	11/2001	Wang		
D451,782	S	12/2001	Dewald		
6,860,528	B2 *	3/2005	O'Brien, II	292/92

* cited by examiner

Primary Examiner—Paula A. Greene

(74) *Attorney, Agent, or Firm*—Baker & Daniels LLP

(57) **CLAIM**

The ornamental design for a drawer and door pull, as shown.

DESCRIPTION

FIG. 1 is a perspective view of a drawer and door pull according to my new design;

FIG. 2 is a front view thereof;

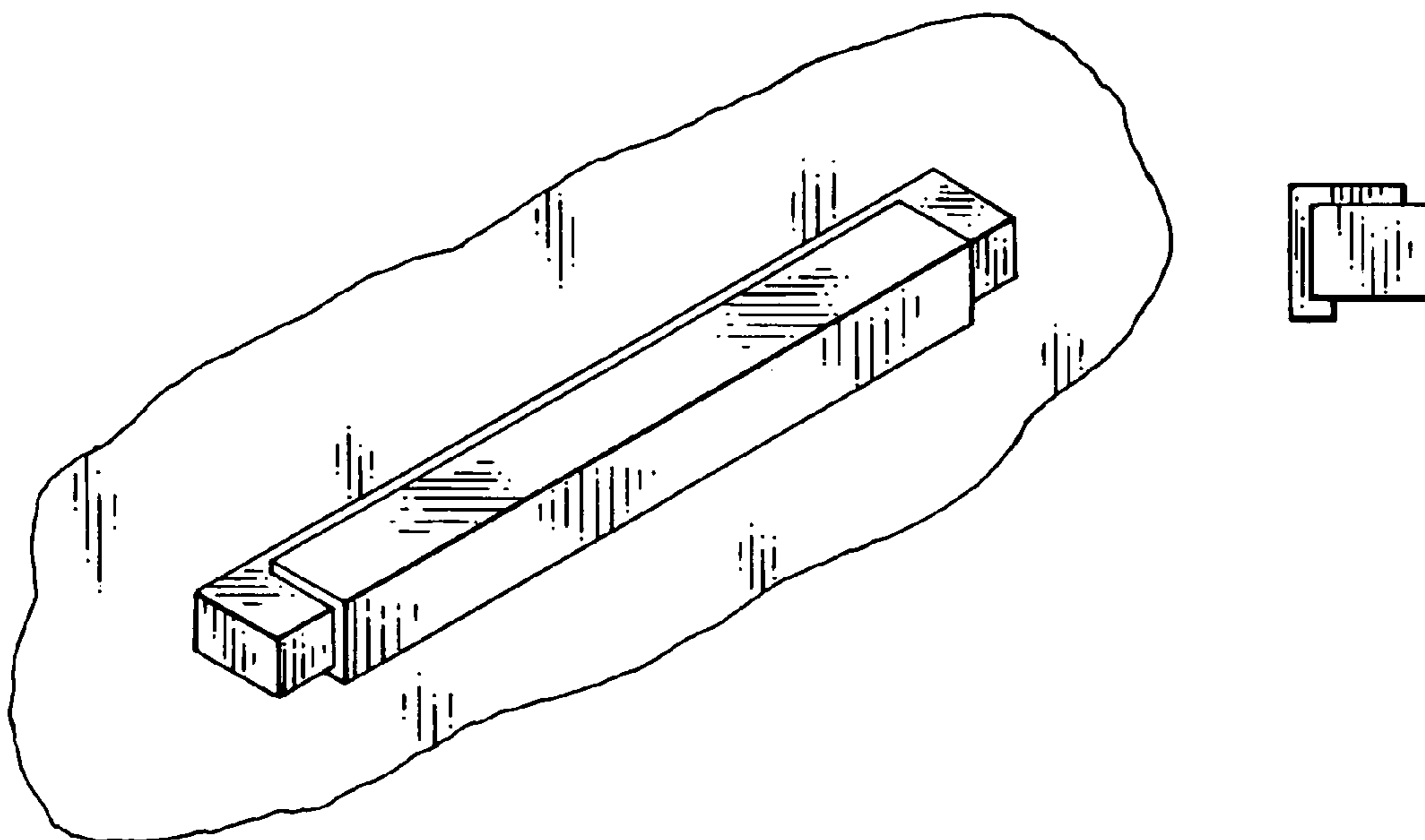
FIG. 3 is a left side view thereof;

FIG. 4 is a right side view thereof;

FIG. 5 is a top view thereof; and,

FIG. 6 is a bottom view thereof.

1 Claim, 2 Drawing Sheets



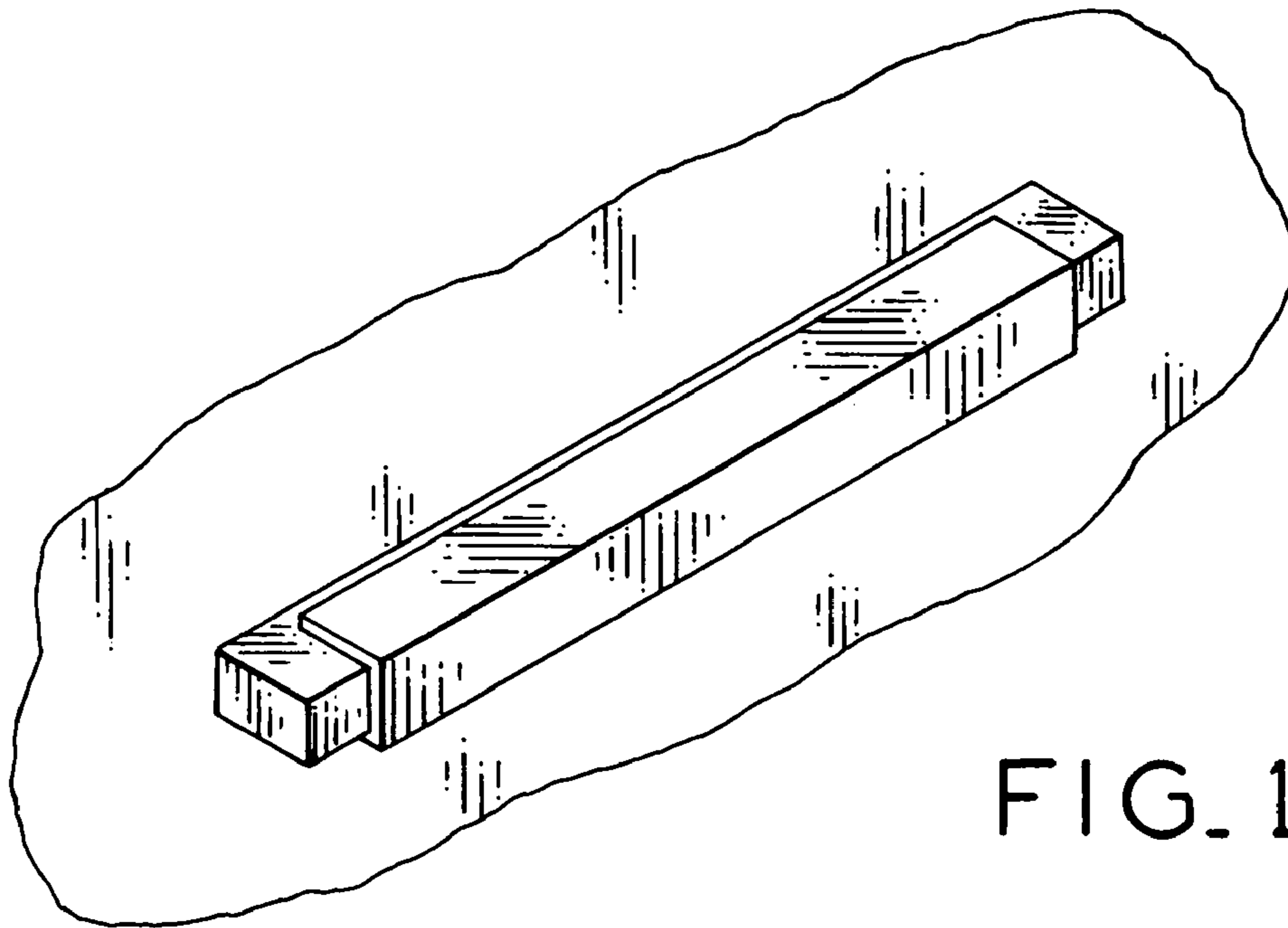


FIG. 1

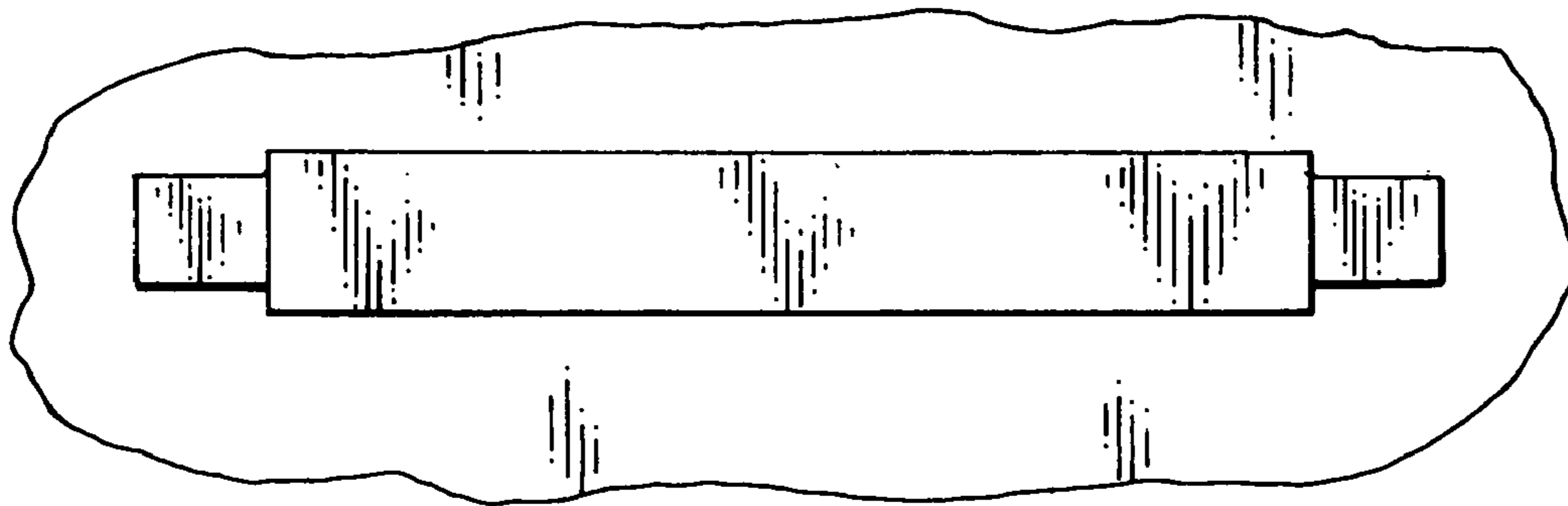


FIG. 2

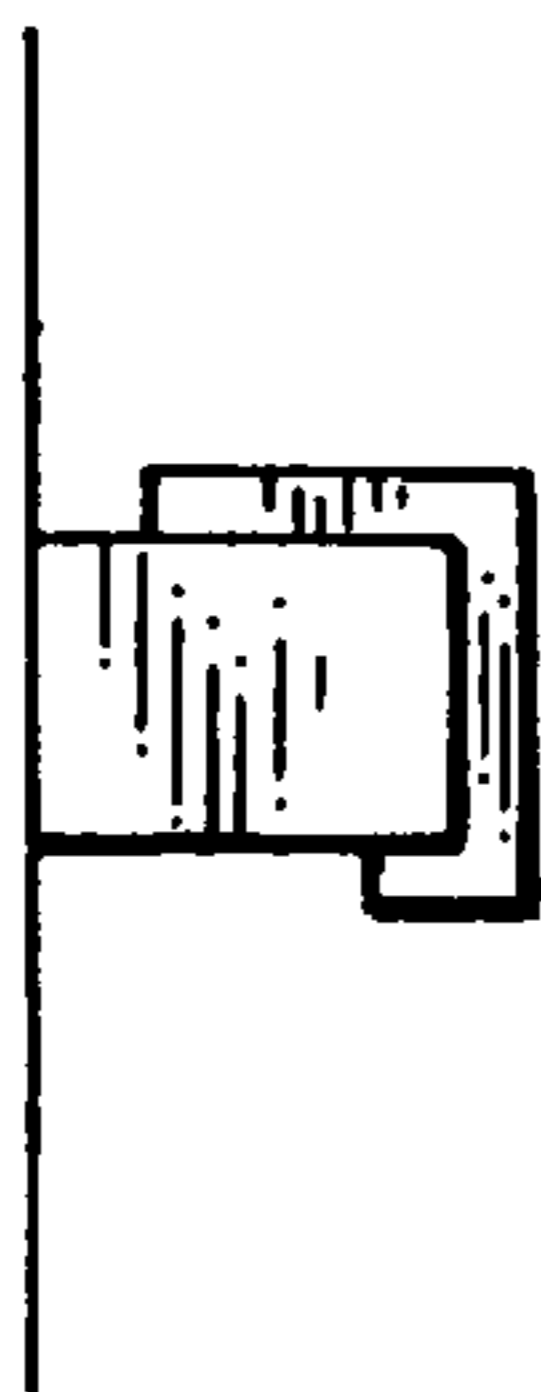


FIG. 3



FIG. 4

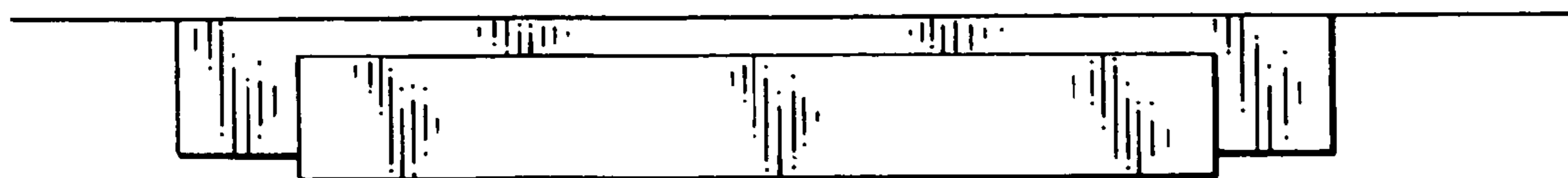


FIG. 5

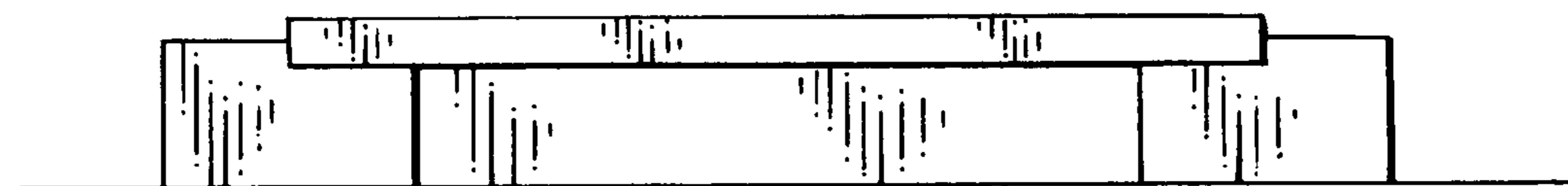


FIG. 6