

US00D548038S

(12) **United States Design Patent**  
**Huang**

(10) **Patent No.:** **US D548,038 S**

(45) **Date of Patent:** **\*\* Aug. 7, 2007**

(54) **SCREW IN KNOB WITH FANCIFUL DESIGN**

(75) Inventor: **Nan Huang Huang**, Rancho Palos Verdes, CA (US)

(73) Assignee: **Grand General Accessories Manufacturing Inc.**, Rancho Dominguez, CA (US)

(\*\*) Term: **14 Years**

(21) Appl. No.: **29/260,874**

(22) Filed: **Jun. 3, 2006**

(51) **LOC (8) Cl.** ..... **08-06**

(52) **U.S. Cl.** ..... **D8/312**

(58) **Field of Classification Search** ..... D8/300-302, D8/307, 312, 313, 310-311, DIG. 2; 16/110.1, 16/121, 124, 309, 441; 116/309, 310-312, 116/317-319, DIG. 28, 298; D23/250-252; 174/165

See application file for complete search history.

(56) **References Cited**

**U.S. PATENT DOCUMENTS**

D47,069 S \* 3/1915 Burns ..... D8/307  
2,688,181 A \* 9/1954 Livermont et al. .... 428/583  
D265,233 S \* 6/1982 Ronvik ..... D23/250

D279,403 S \* 6/1985 Doman ..... D23/250  
D287,270 S \* 12/1986 Yost ..... D23/250  
D290,494 S \* 6/1987 Dragos ..... D23/250  
D383,523 S \* 9/1997 Doughty et al. .... D23/250  
D487,865 S \* 3/2004 Dewald ..... D8/310  
D492,887 S \* 7/2004 Wu ..... D8/310  
D526,883 S \* 8/2006 Gilbert ..... D8/312

\* cited by examiner

*Primary Examiner*—Paula A. Greene

(74) *Attorney, Agent, or Firm*—Thomas I. Rozsa

(57) **CLAIM**

The ornamental design for a screw in knob with fanciful design, as shown and described.

**DESCRIPTION**

FIG. 1 is a perspective view of a screw in knob with fanciful design ornament, showing my design.

FIG. 2 is a front elevational view;

FIG. 3 is a rear elevational view;

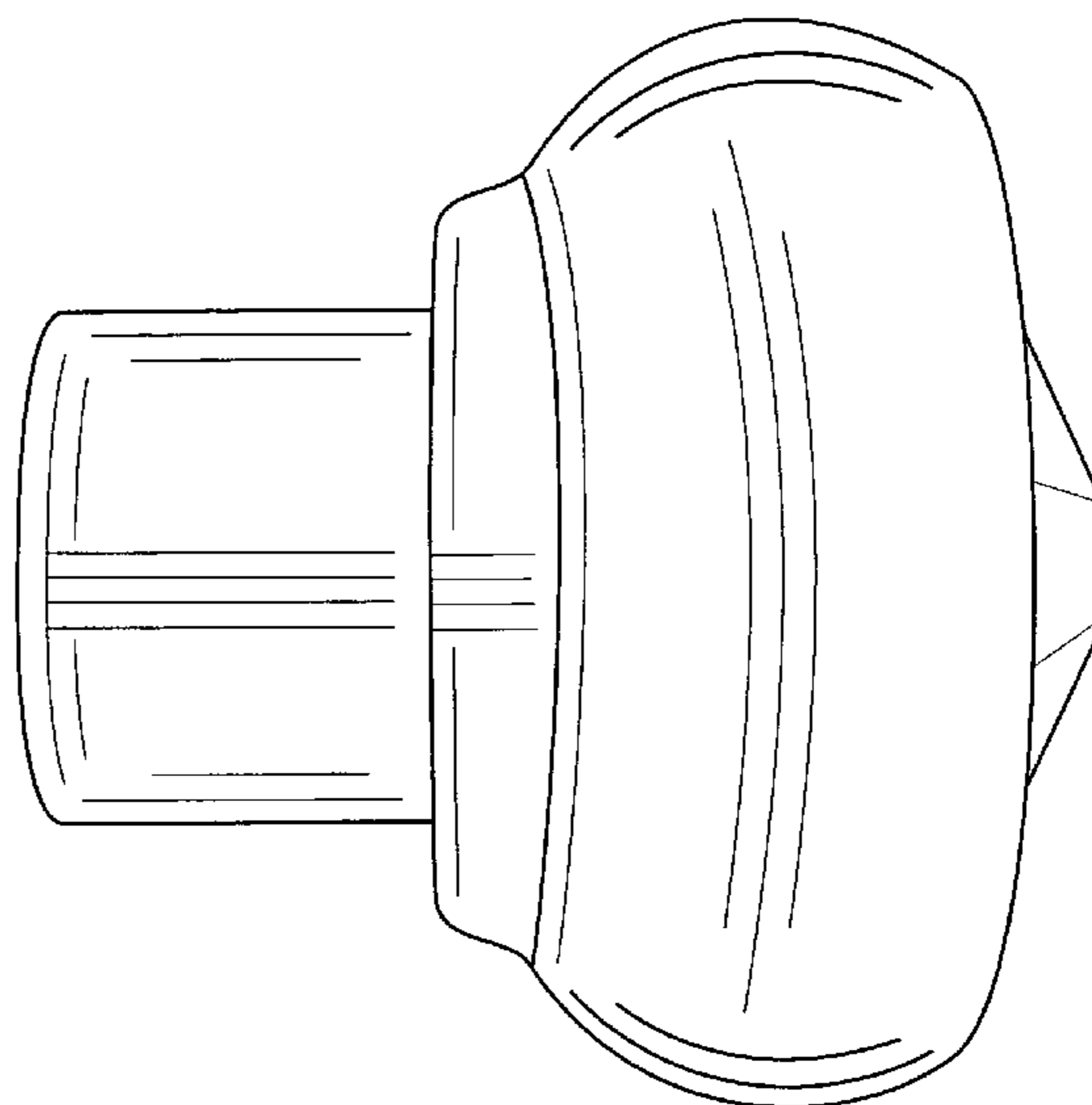
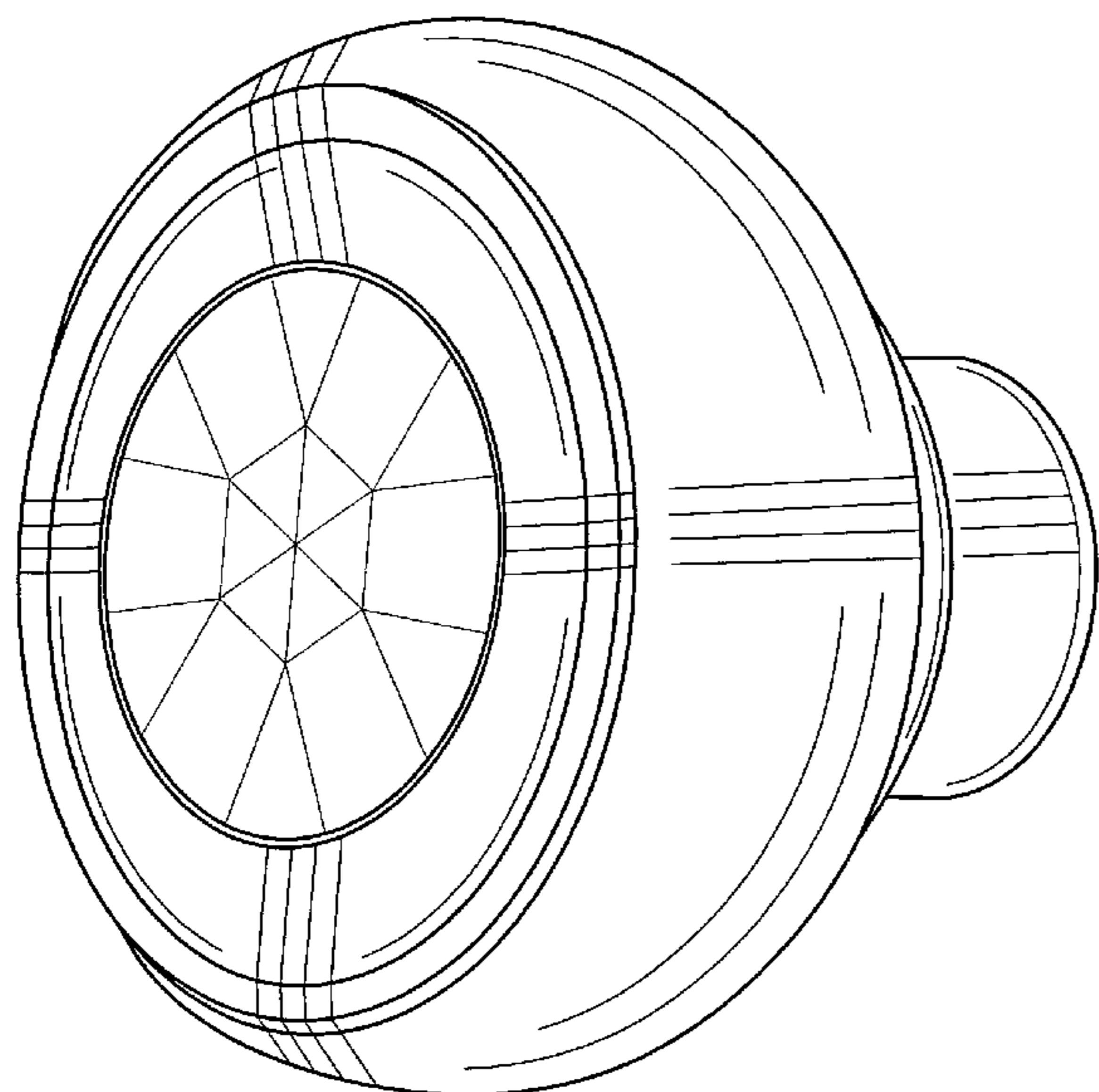
FIG. 4 is a side view when viewed from the left side;

FIG. 5 is a side view when viewed from the right side;

FIG. 6 is a top plan view; and,

FIG. 7 is a bottom plan view.

**1 Claim, 7 Drawing Sheets**



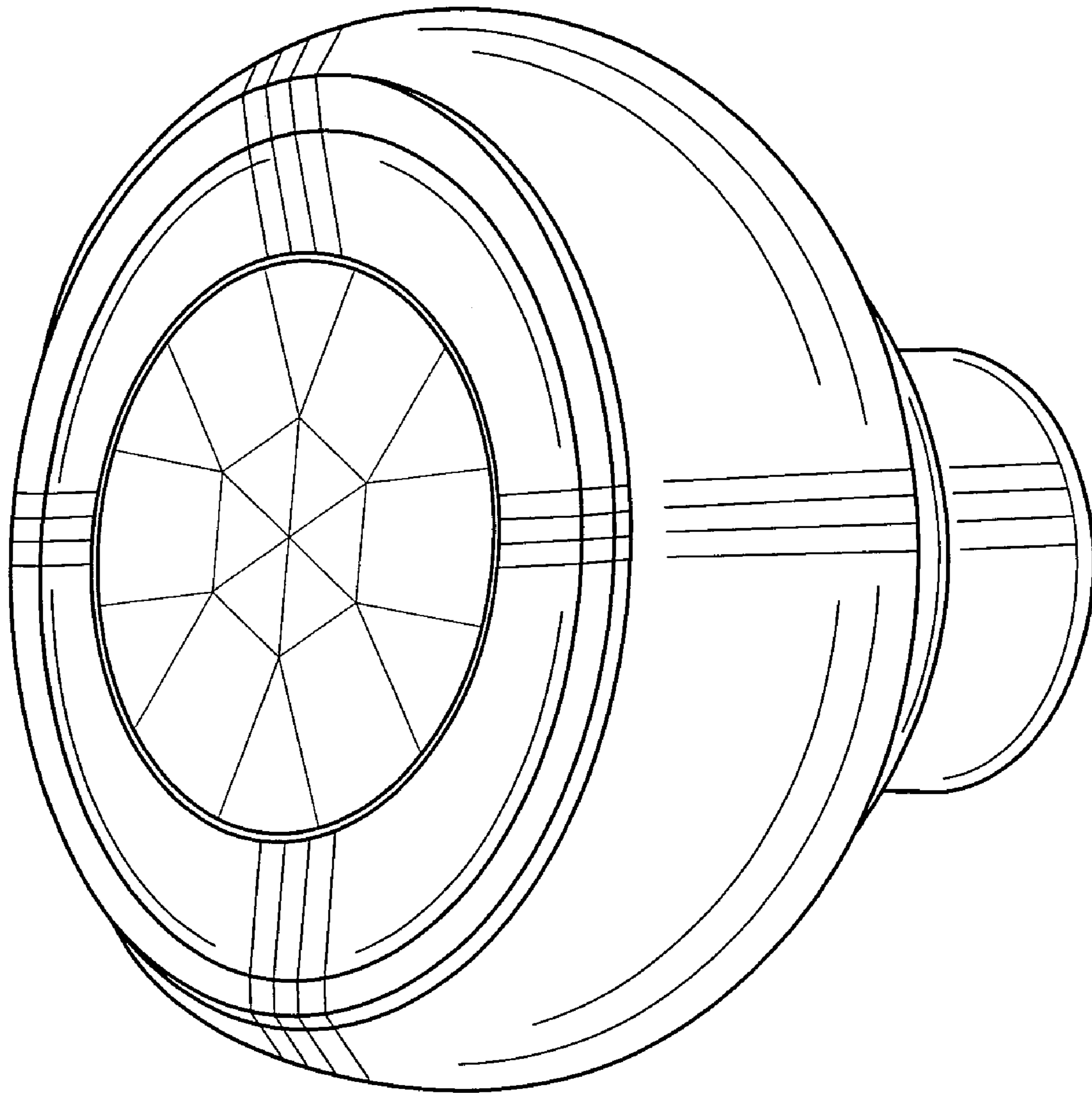


FIG. 1

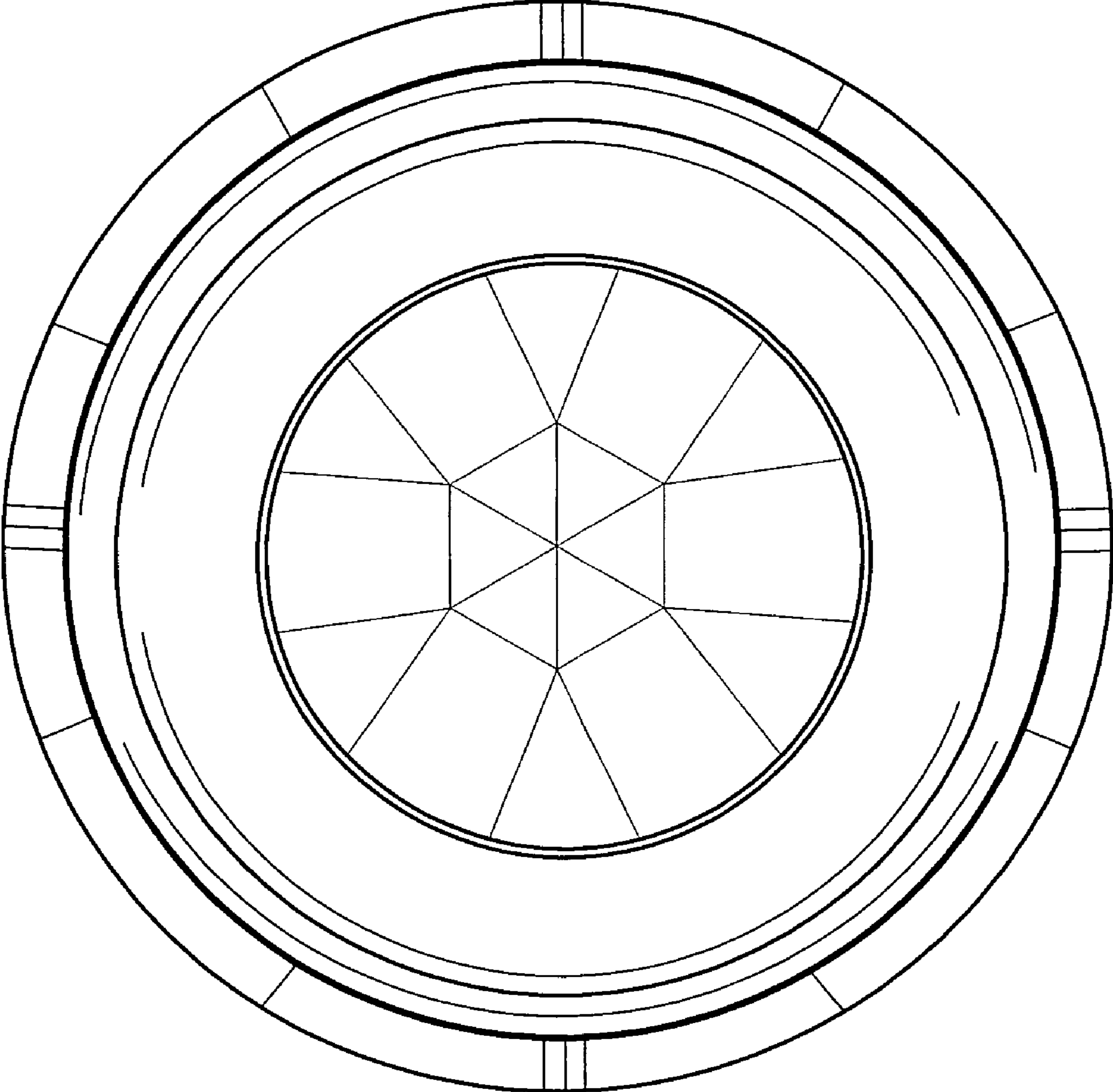


FIG. 2

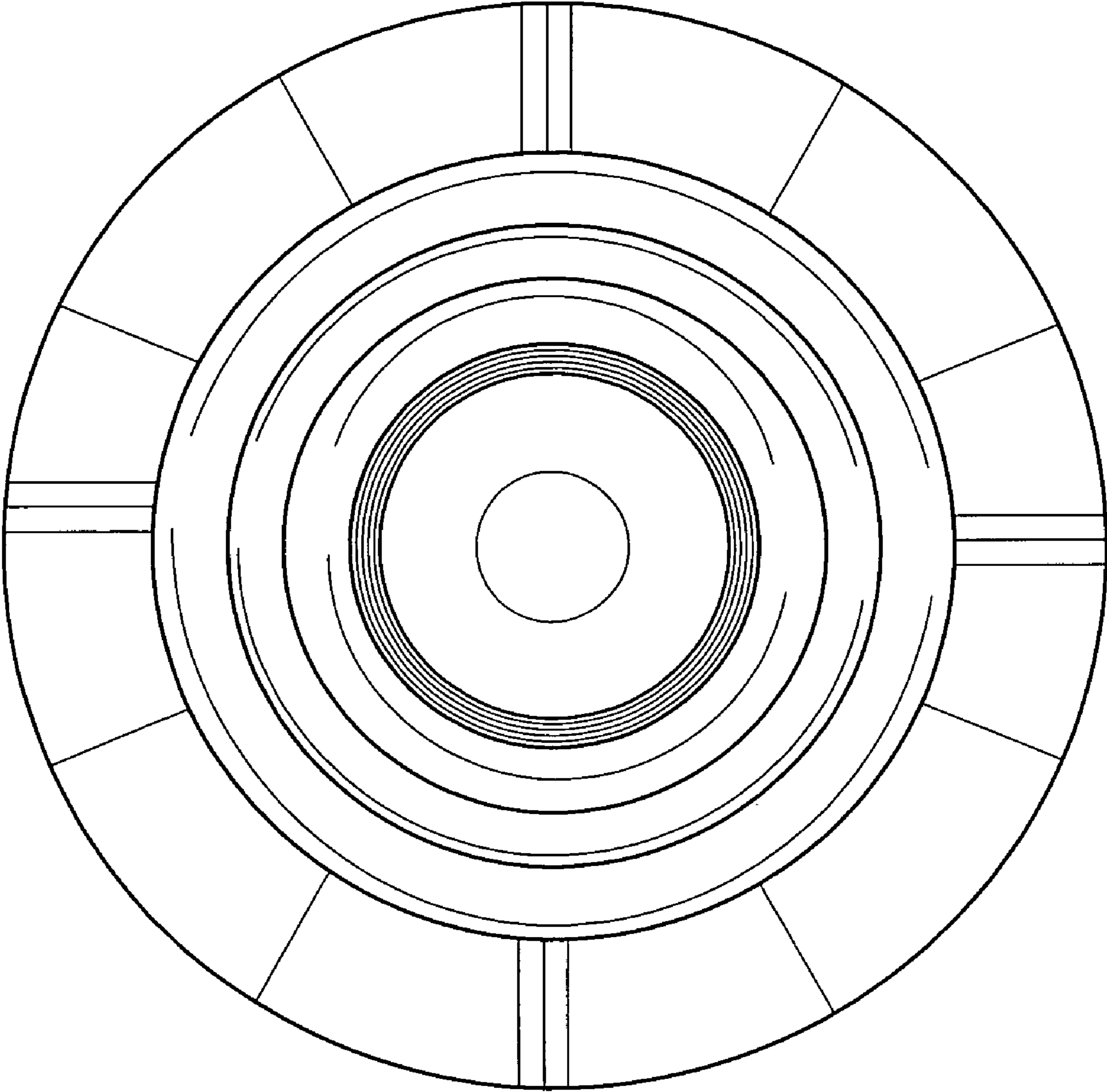


FIG. 3

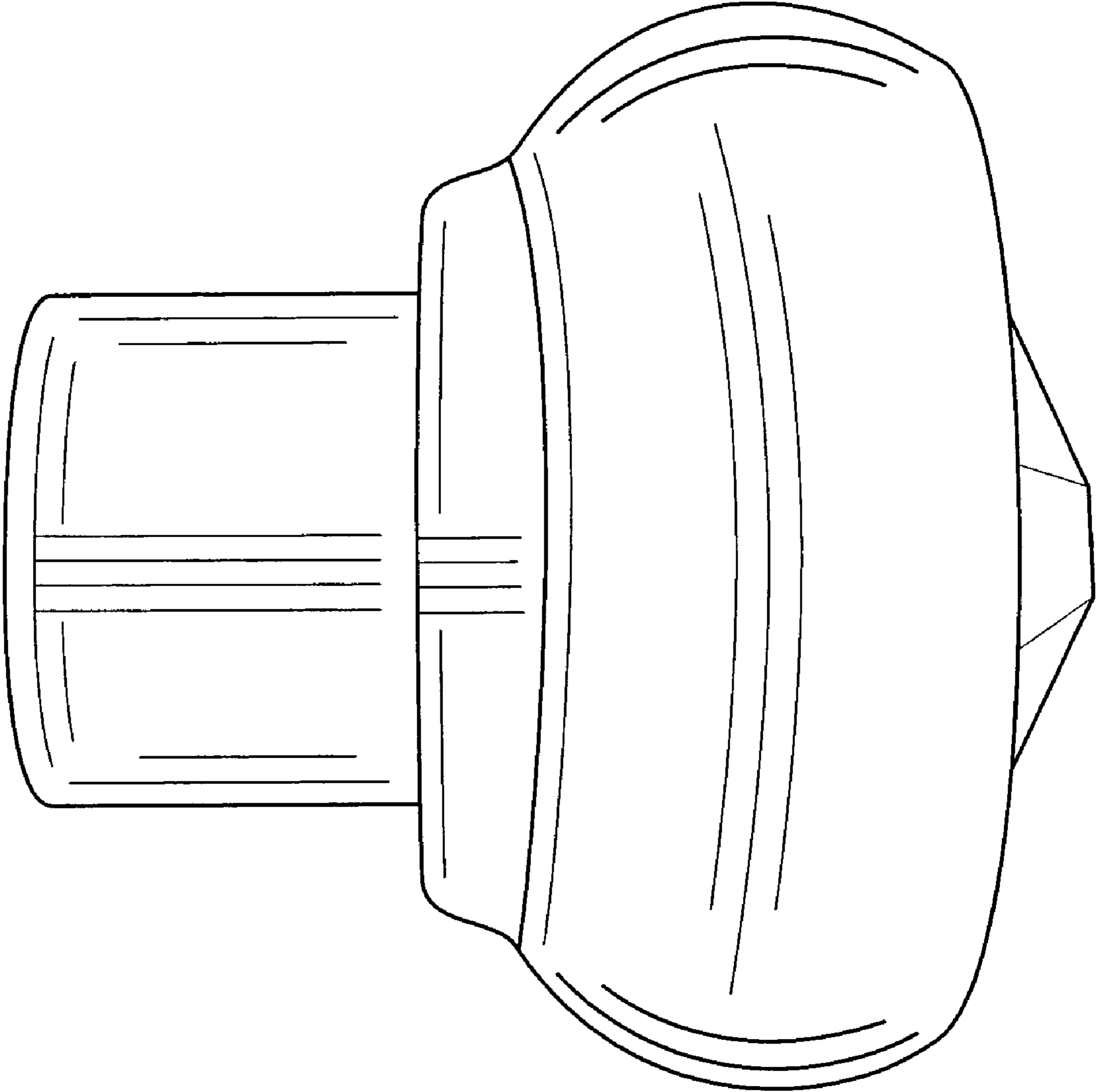


FIG. 4

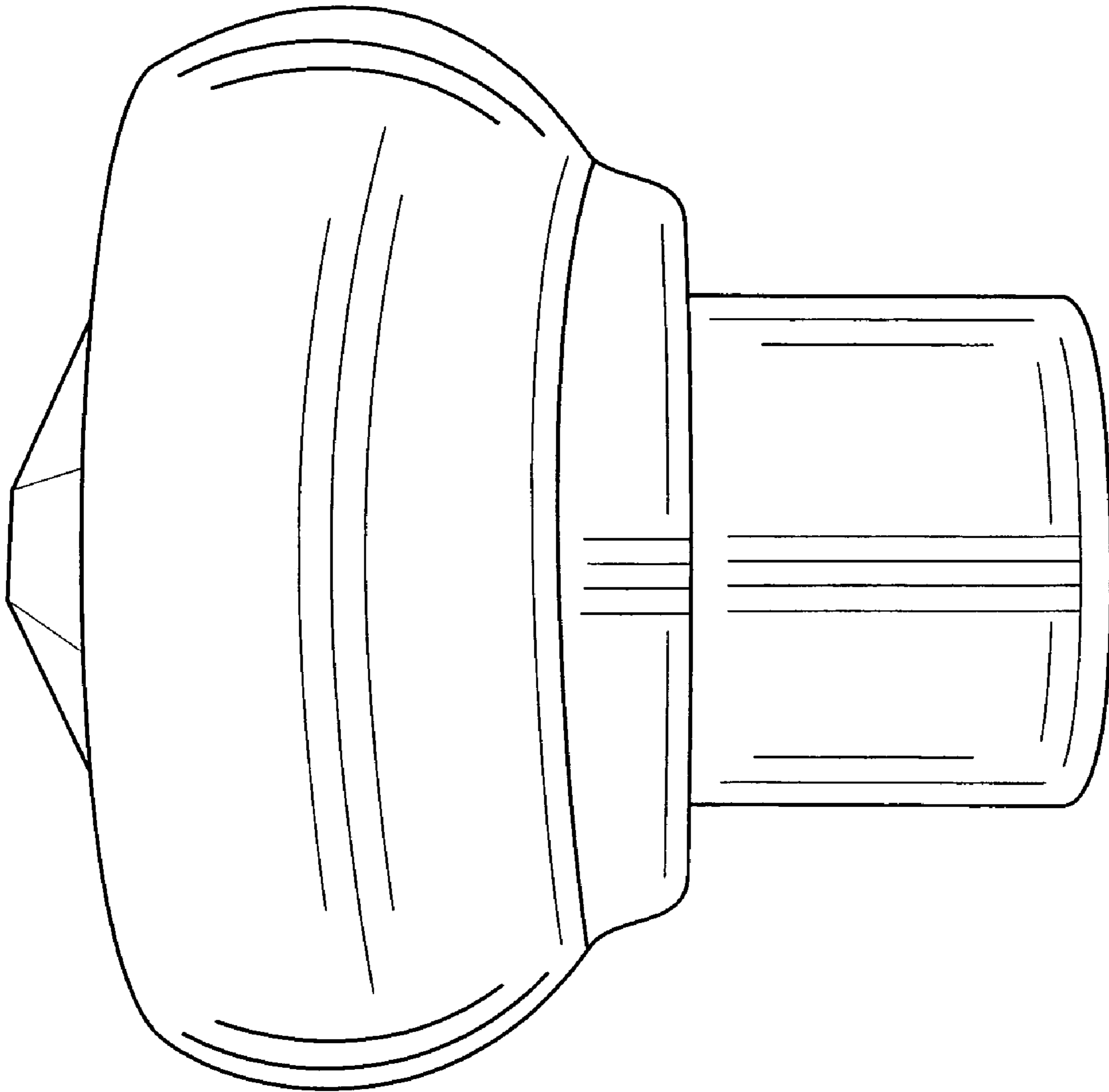


FIG. 5

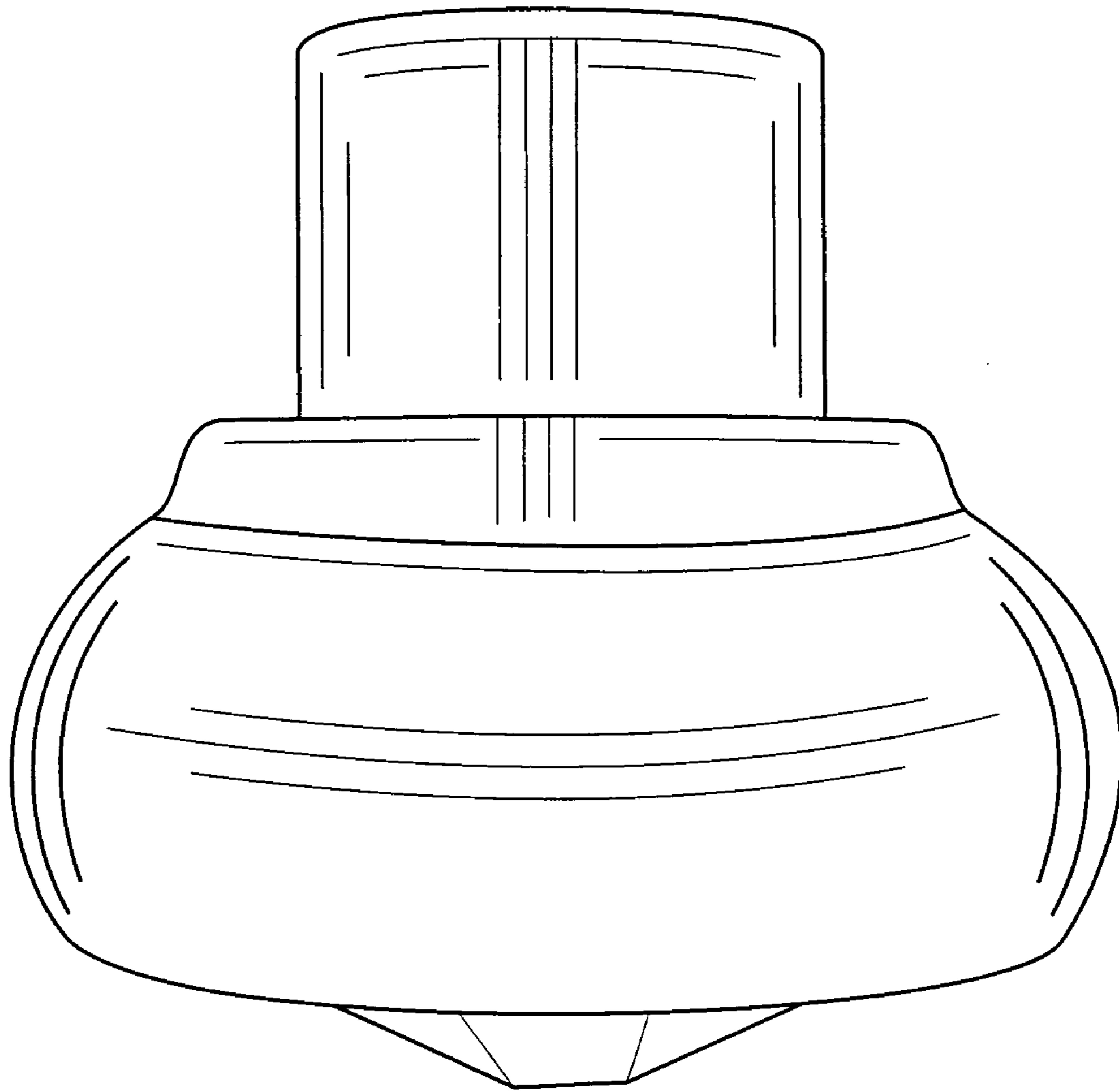


FIG. 6

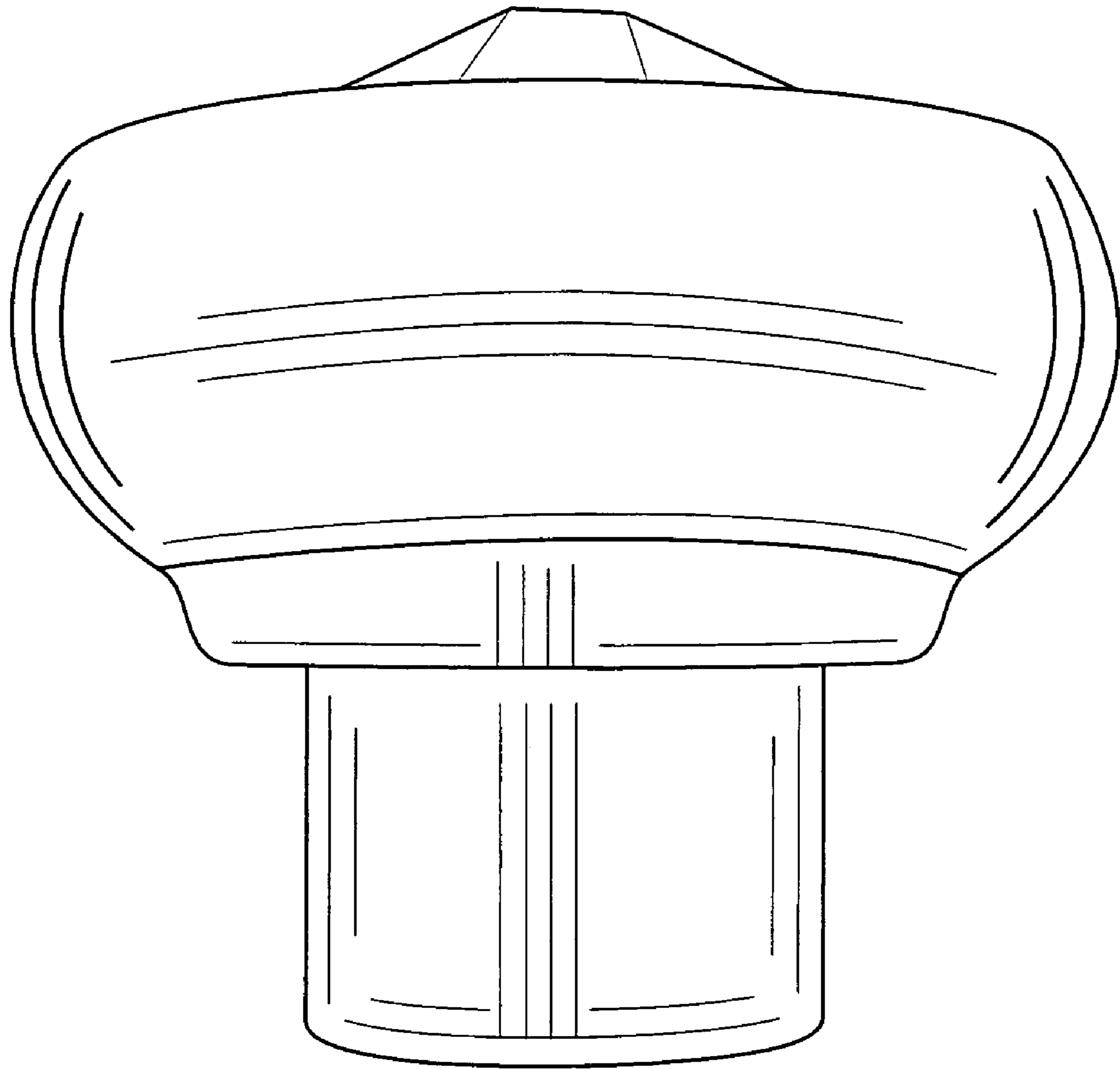


FIG. 7