

US00D548035S

(12) **United States Design Patent**
Watanabe et al.

(10) **Patent No.:** **US D548,035 S**

(45) **Date of Patent:** **** Aug. 7, 2007**

(54) **CLAMP**

(75) Inventors: **Shunsuke Watanabe**, Shizuoka (JP);
Masaru Yoshida, Shizuoka (JP)

(73) Assignee: **Off Corporation Inc.**, Shizuoka-shi
(JP)

(**) Term: **14 Years**

(21) Appl. No.: **29/263,209**

(22) Filed: **Jul. 19, 2006**

(30) **Foreign Application Priority Data**

May 8, 2006 (JP) 2006-011650

(51) **LOC (8) Cl.** **08-05**

(52) **U.S. Cl.** **D8/72**

(58) **Field of Classification Search** D8/71-74,
D8/394, 59, 396, 60; 269/3, 6, 20, 143, 170,
269/147, 148, 165-167, 240, 246, 266, 203;
81/487; 248/62, 689, 124.2, 74.1; 29/256,
29/257, 276

See application file for complete search history.

(56) **References Cited**

U.S. PATENT DOCUMENTS

- 2,379,379 A * 6/1945 Schroder 248/124.2
- 3,618,930 A * 11/1971 Brandt et al. 269/20
- D253,091 S * 10/1979 Fritz D8/394
- D279,646 S * 7/1985 Ferdinand et al. D8/72
- 4,570,757 A * 2/1986 Marzullo D8/72
- D286,369 S * 10/1986 Hahn D8/72
- D354,491 S * 1/1995 Ditch D8/396
- D355,104 S * 2/1995 Sorensen et al. D8/72
- D365,263 S * 12/1995 Sorensen et al. D8/72

(Continued)

Primary Examiner—Louis Zarfaz
Assistant Examiner—David Muller

(74) *Attorney, Agent, or Firm*—Jacobson Holman PLLC

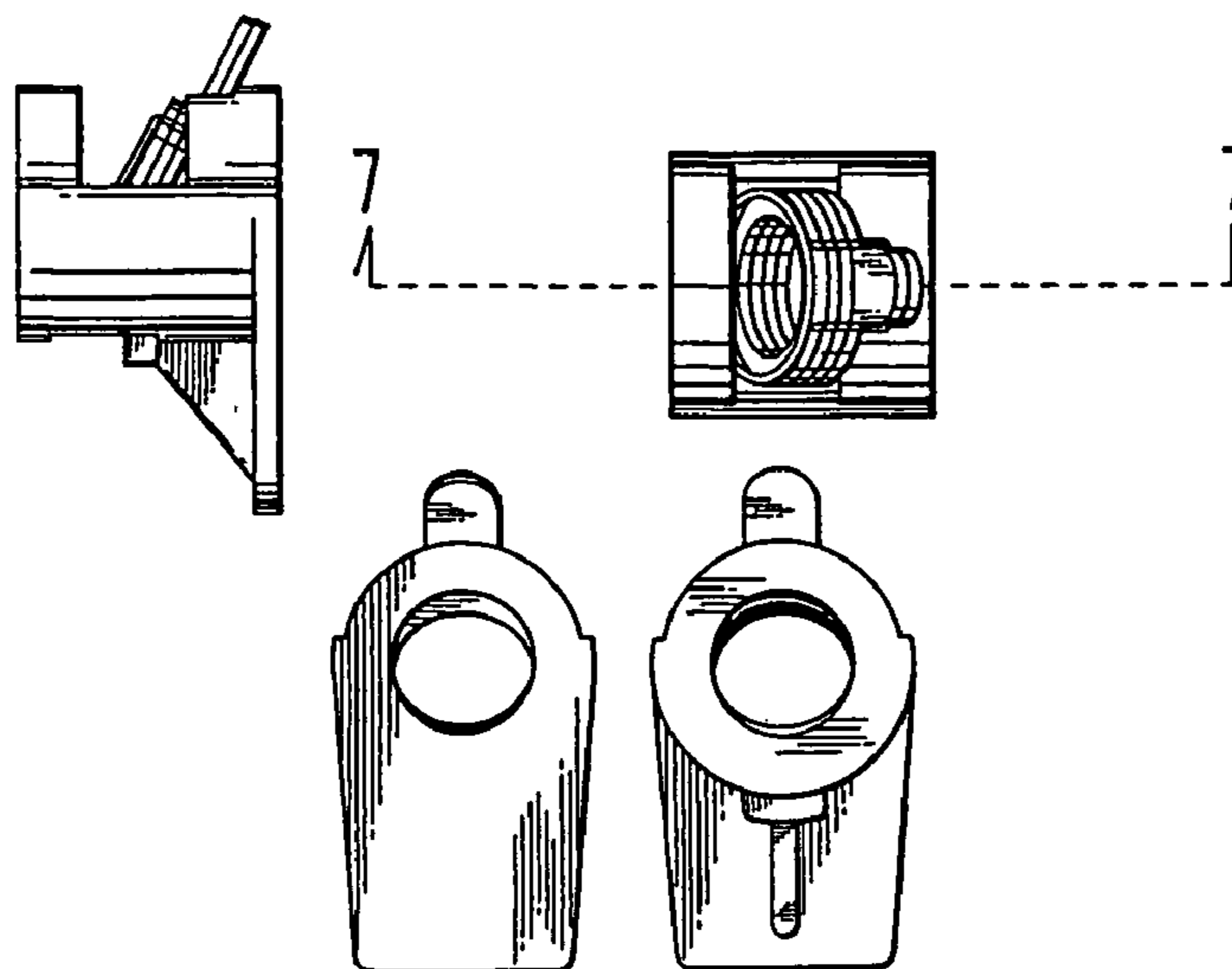
(57) **CLAIM**

We claim the ornamental design for the clamp, as shown and described.

DESCRIPTION

FIG. 1 is a front view of the point part of clamp;
 FIG. 2 is a top plan view of the point part of clamp;
 FIG. 3 is a right side view of the point part of clamp;
 FIG. 4 is a left side view of the point part of clamp;
 FIG. 5 is a back view of the point part of clamp;
 FIG. 6 is a bottom view of the point part of clamp;
 FIG. 7 is a longitudinal sectional view taken along line 7-7 on FIG. 2;
 FIG. 8 is a front view of the handle part of clamp embodying my design;
 FIG. 9 is a top plan view of the handle part of clamp;
 FIG. 10 is a right side view of the handle part of clamp;
 FIG. 11 is a left side view of the handle part of clamp;
 FIG. 12 is a back view of the handle part of clamp;
 FIG. 13 is a bottom view of the handle part of clamp;
 FIG. 14 is a longitudinal sectional view taken along line 14-14 on FIG. 9;
 FIG. 15 is a front view showing arrangement of the point part of clamp, the handle part of the clamp and the pipe shown in the dash line; and,
 FIG. 16 is a perspective view showing a clamp in operation.
 The broken line showing of the connecting pipe and material embraced by the clamp is included for the purpose of illustrating use and environment and forms no part of the claimed design.

1 Claim, 6 Drawing Sheets



US D548,035 S

Page 2

U.S. PATENT DOCUMENTS

D376,974 S	*	12/1996	Chen	D8/396	D470,400 S	*	2/2003	Fraser et al.	D8/396
D396,185 S	*	7/1998	Fraser	D8/396	D477,979 S	*	8/2003	Hermann	D8/72
D408,727 S	*	4/1999	Sherman	D8/396	7,159,859 B2	*	1/2007	Fuller	269/170
D442,454 S	*	5/2001	Kolpin	D8/72	2004/0041061 A1	*	3/2004	Krohmer	248/74.1

* cited by examiner

FIG. 1

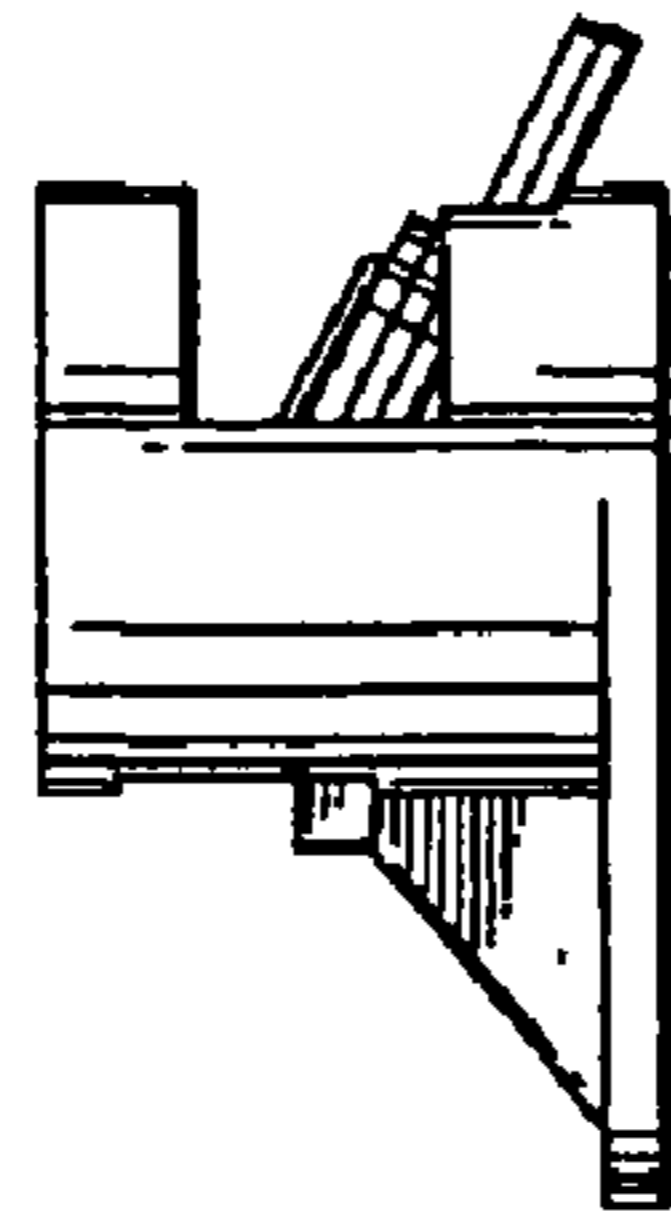


FIG. 2

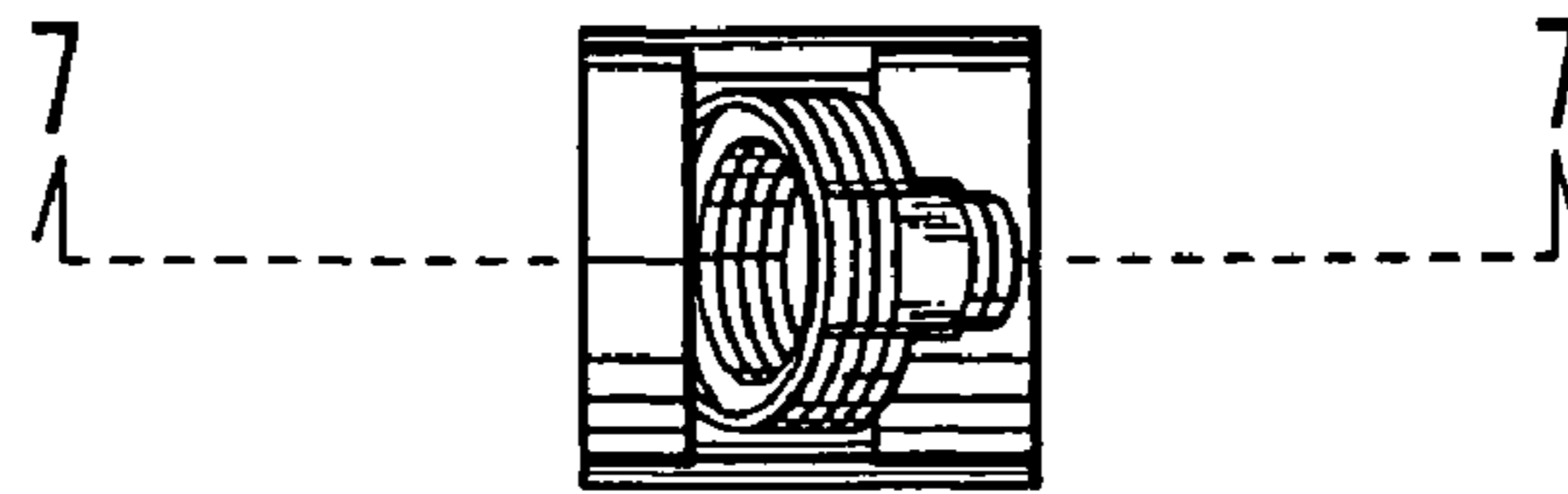


FIG. 3

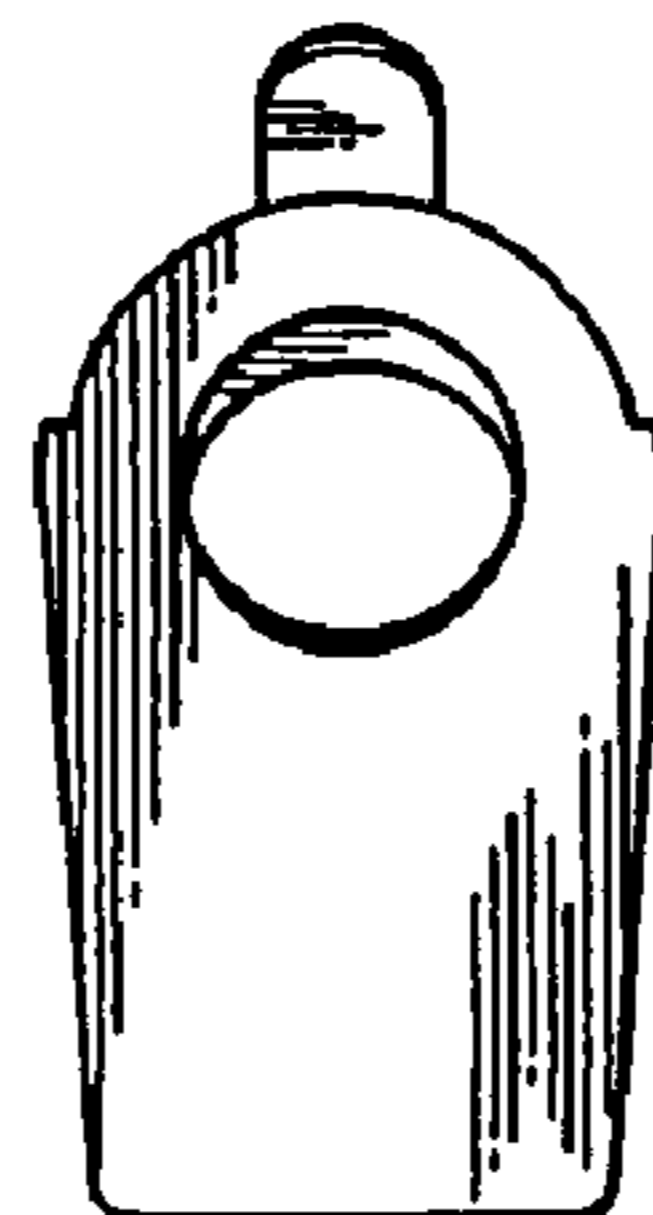


FIG. 4

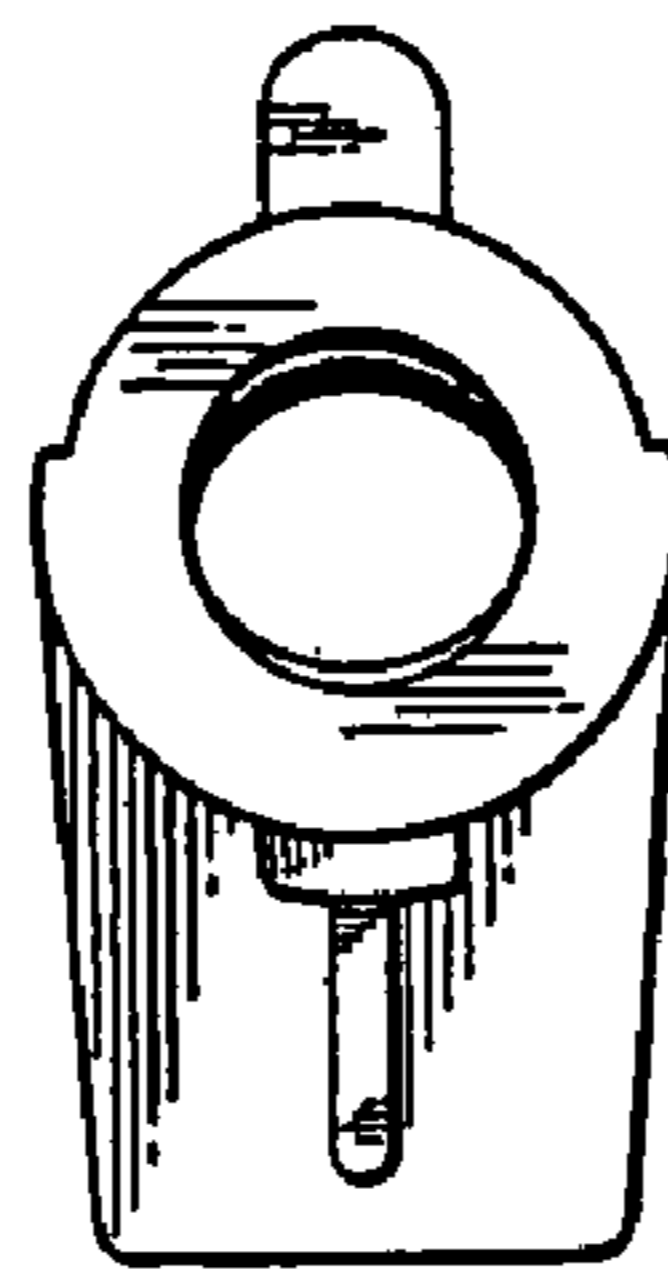


FIG. 5

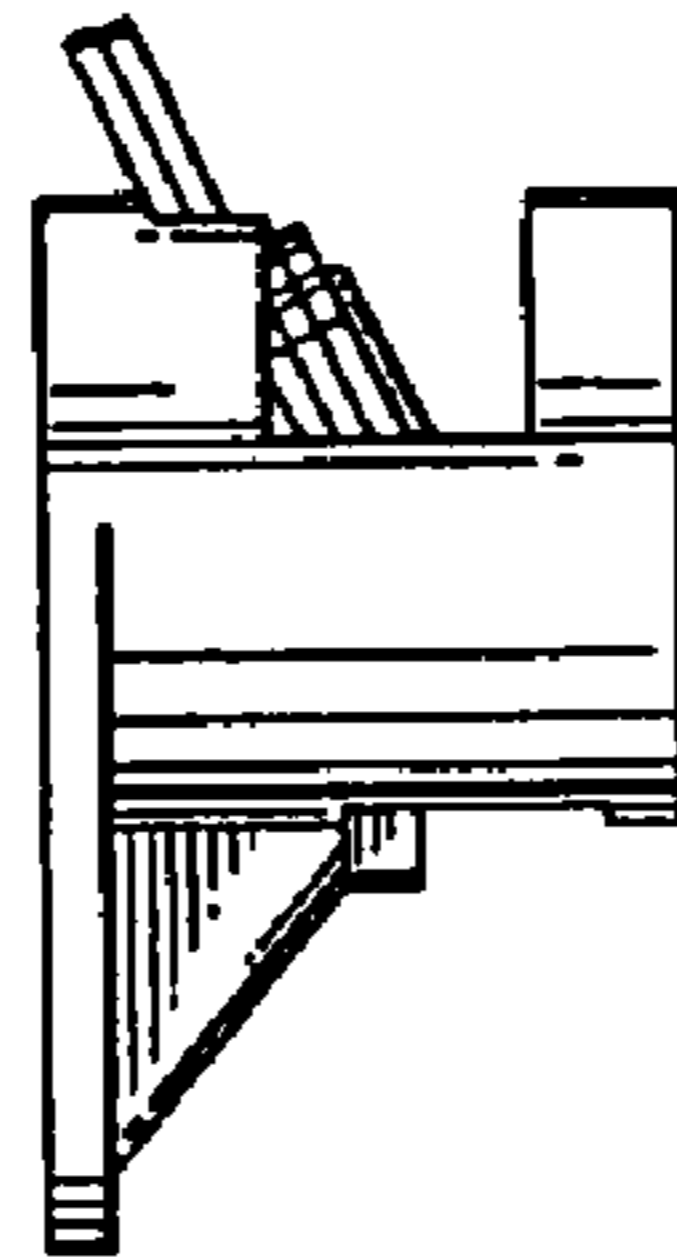


FIG. 6

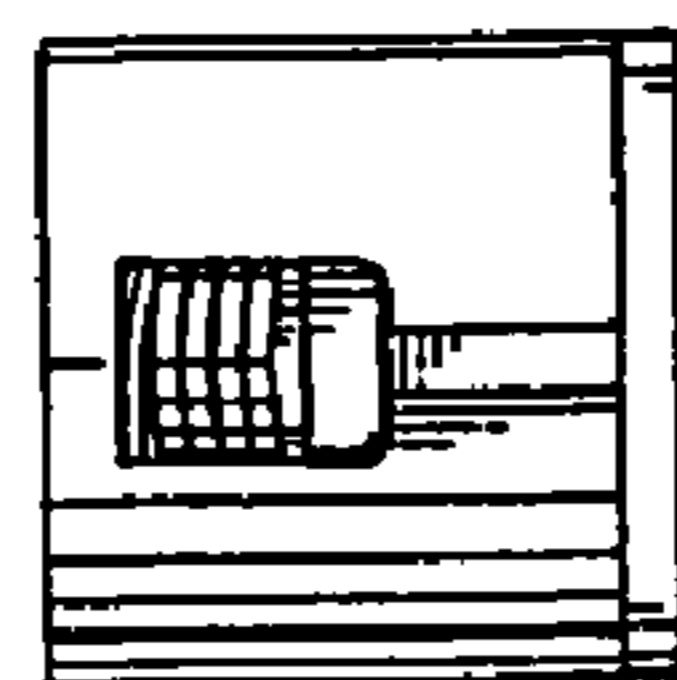


FIG. 7

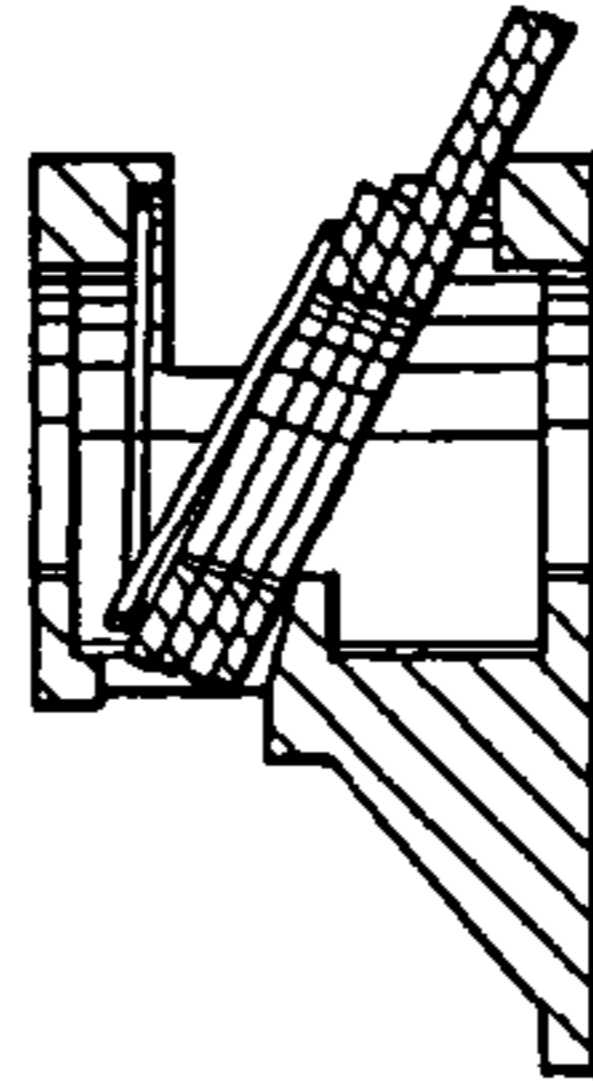


FIG. 8

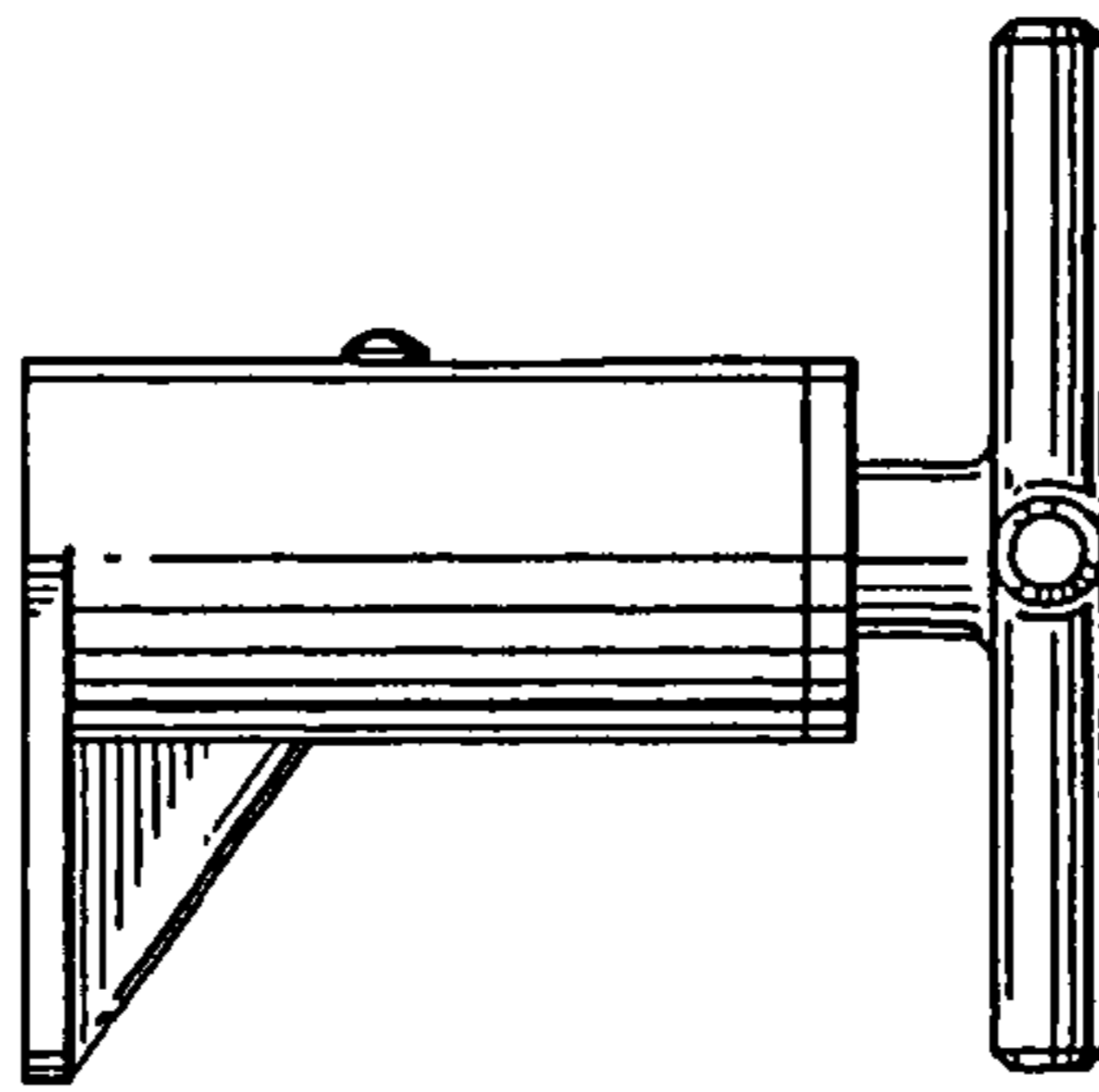


FIG. 9

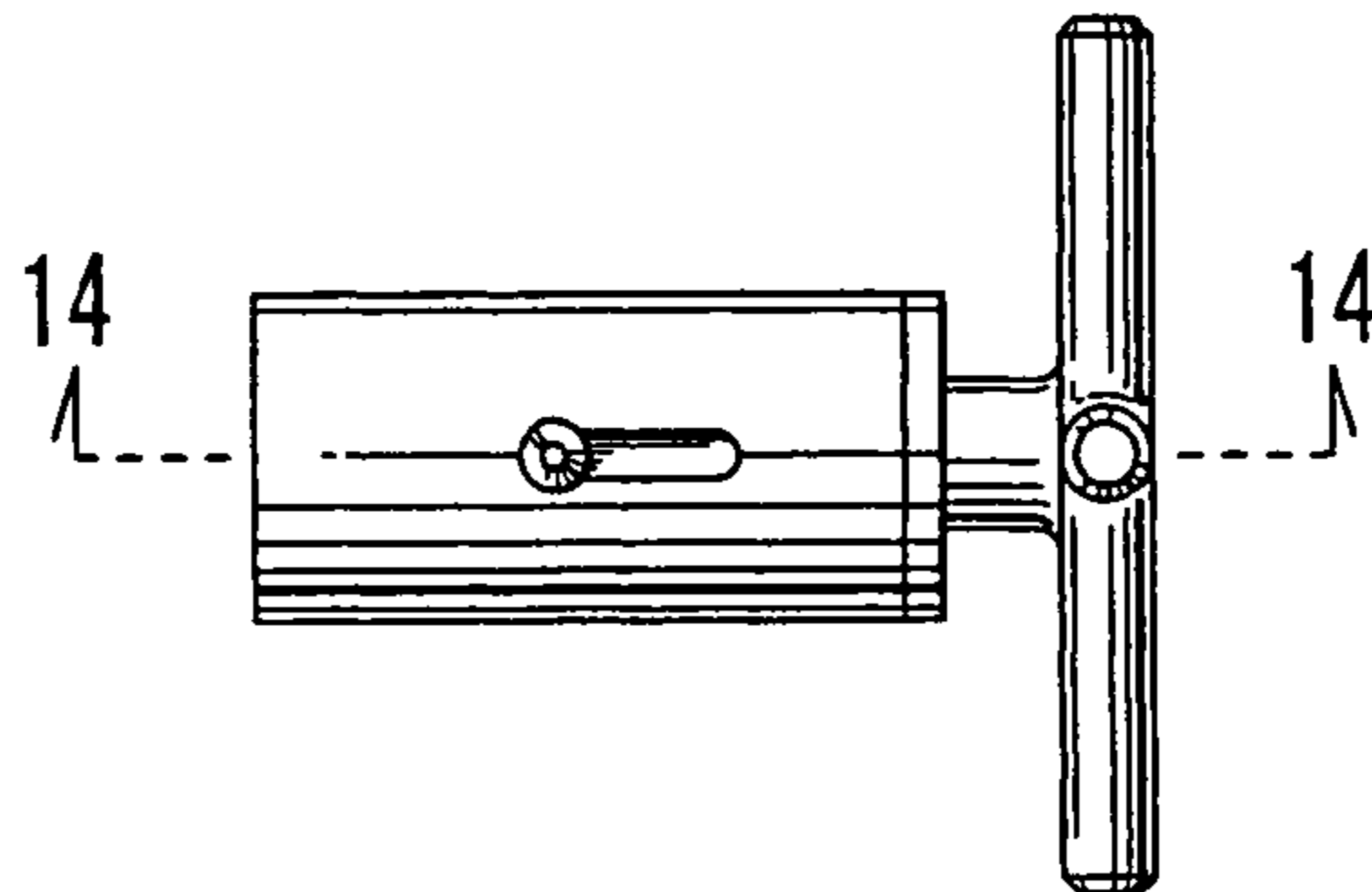


FIG. 10

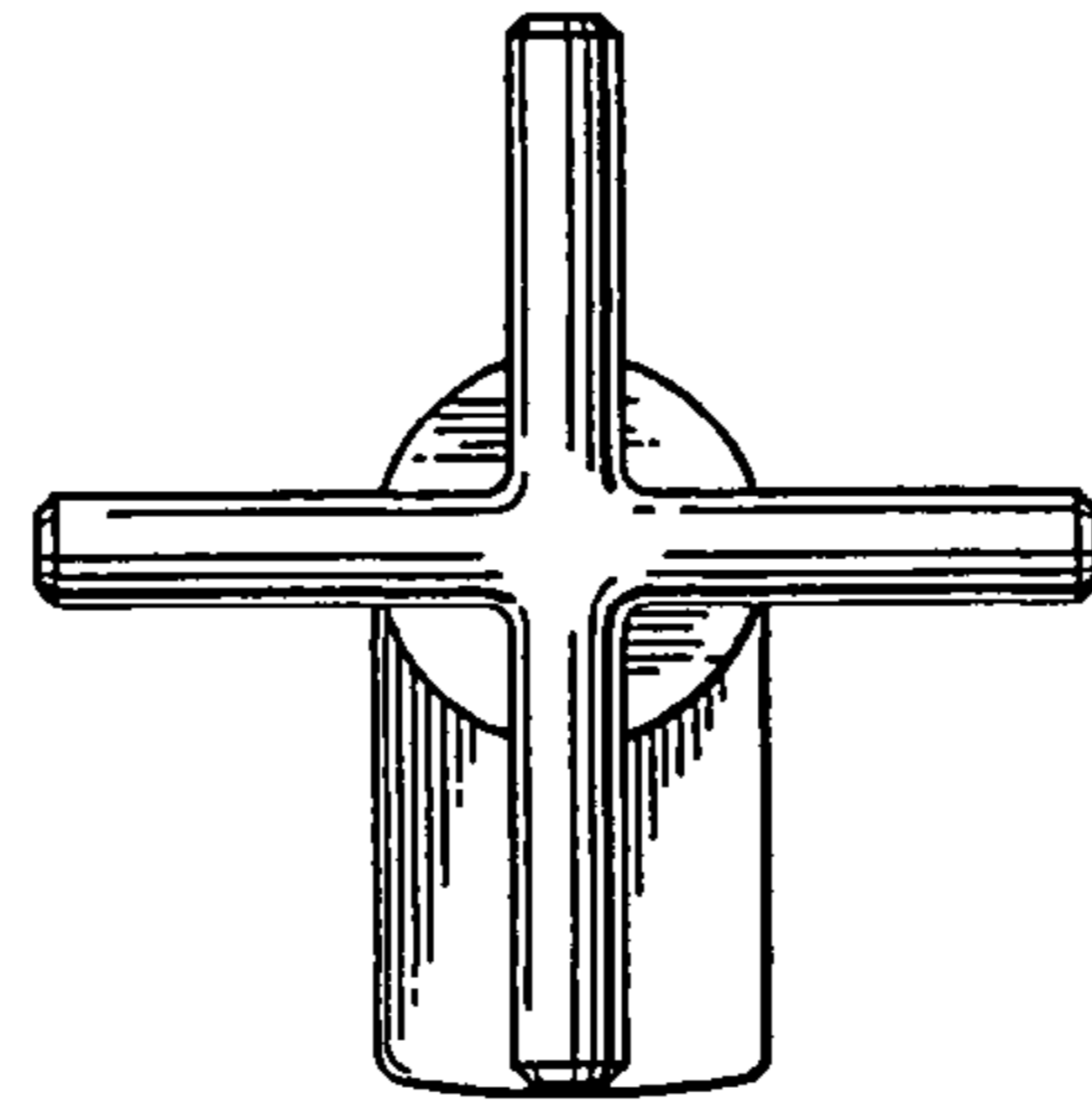


FIG. 11

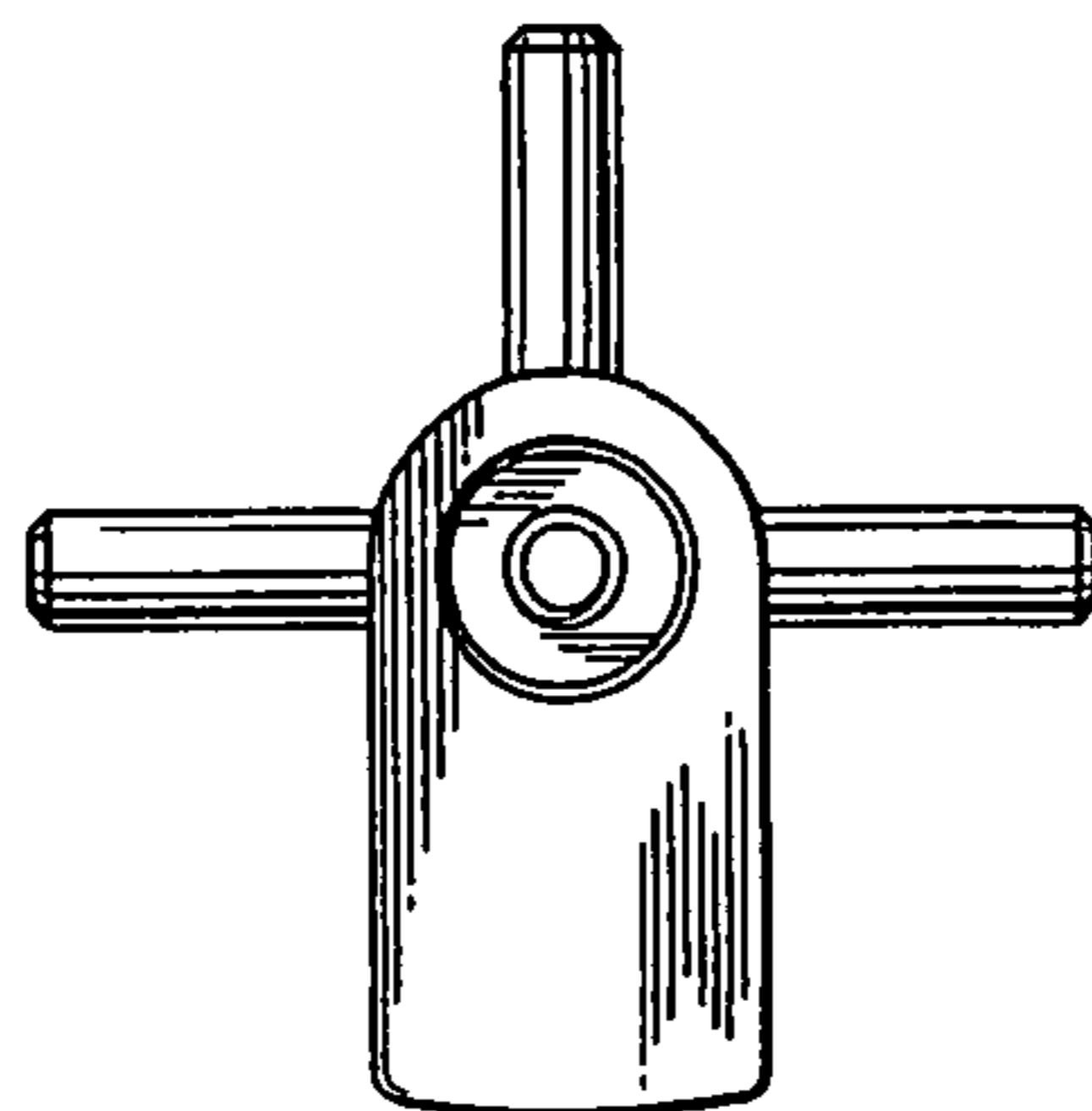


FIG. 12

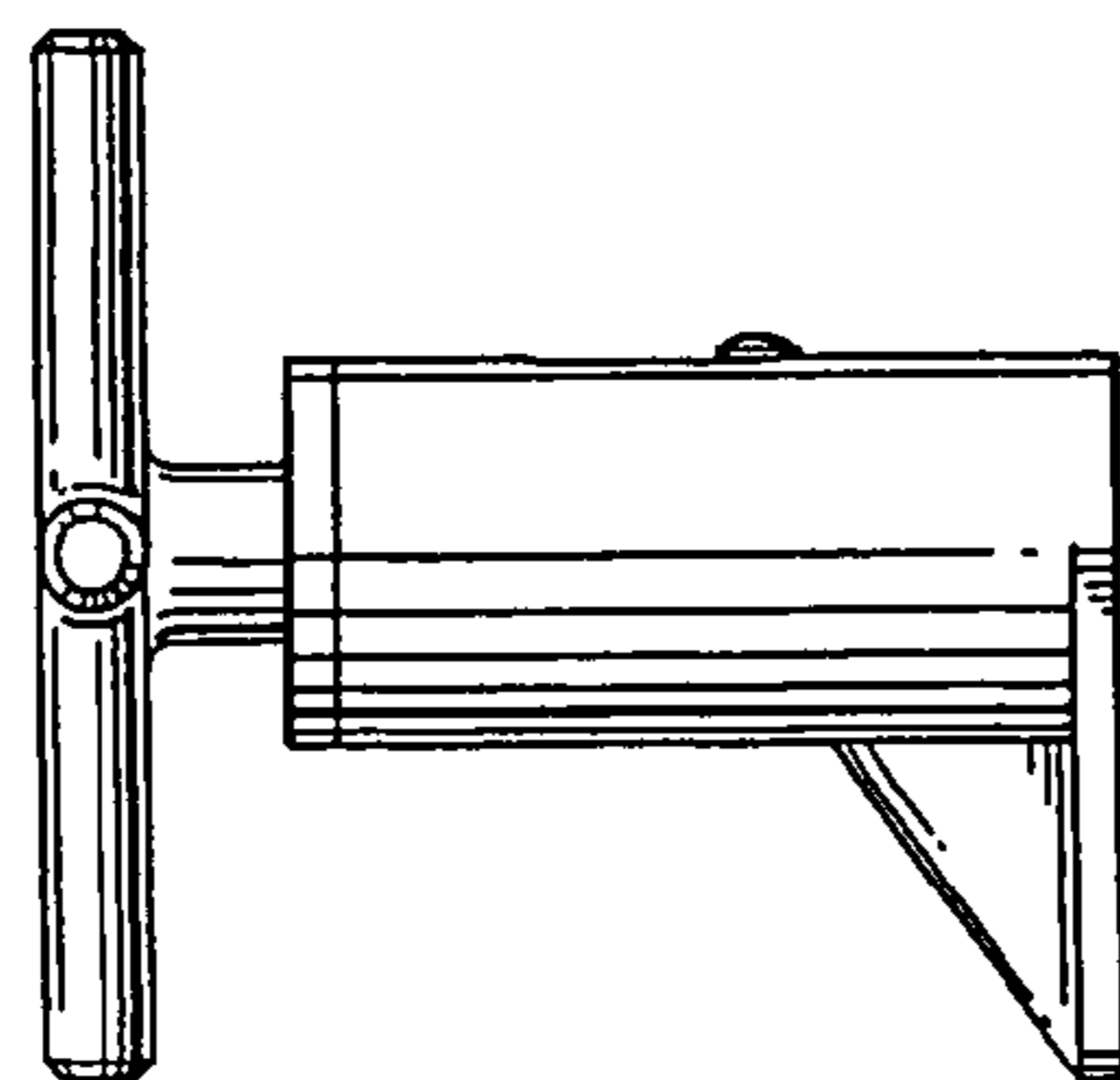


FIG. 13

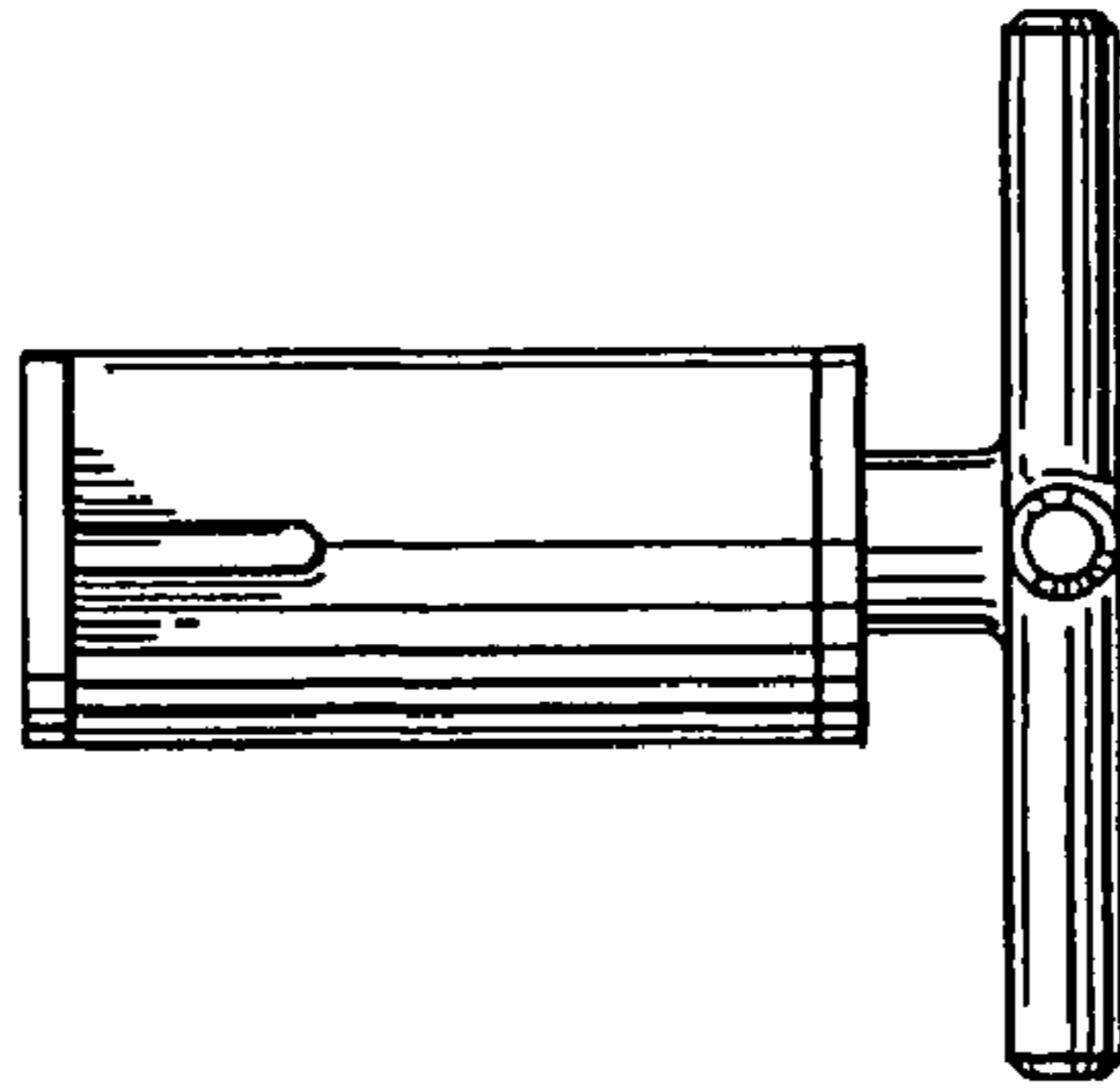


FIG. 14

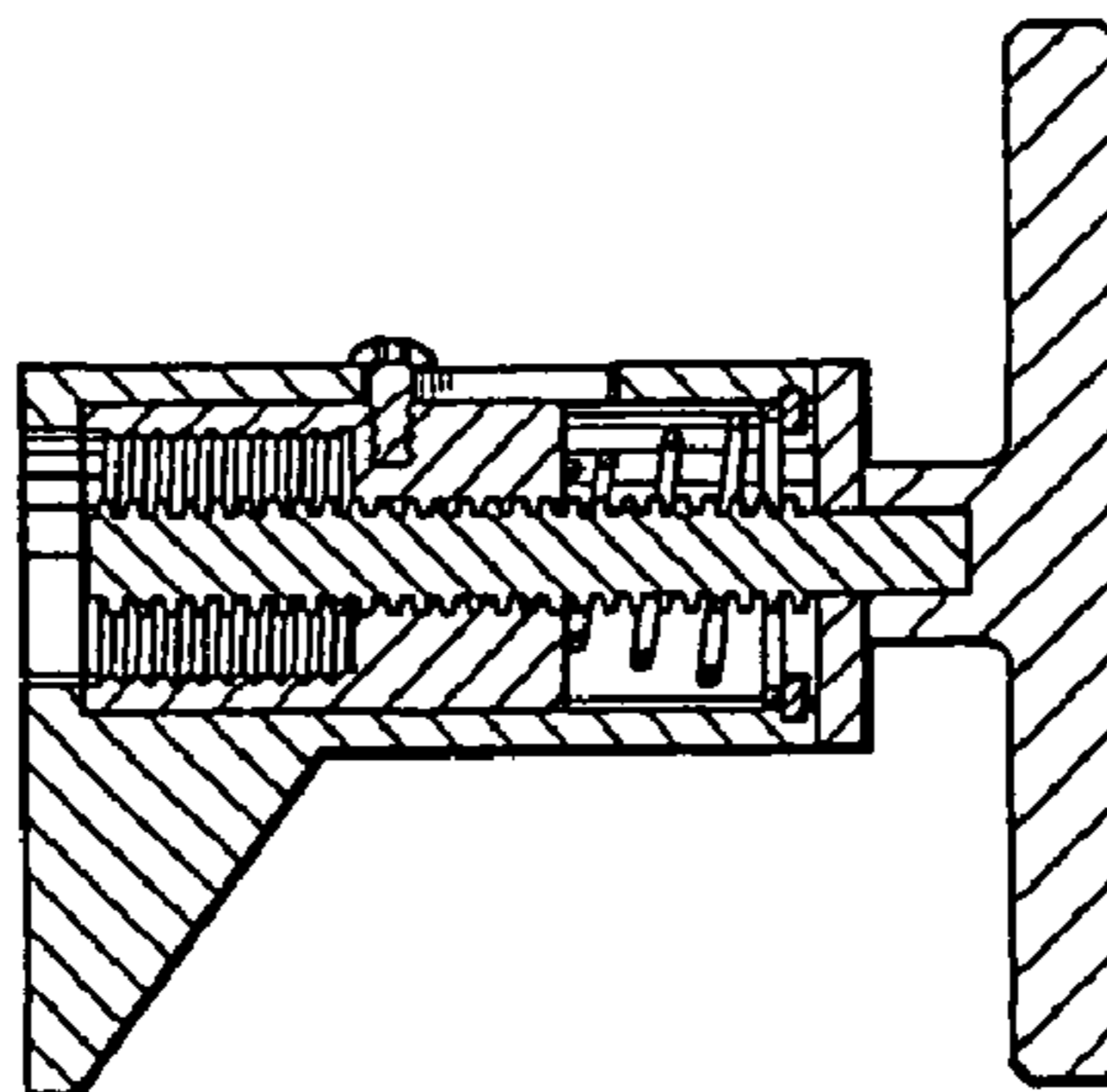


FIG. 15

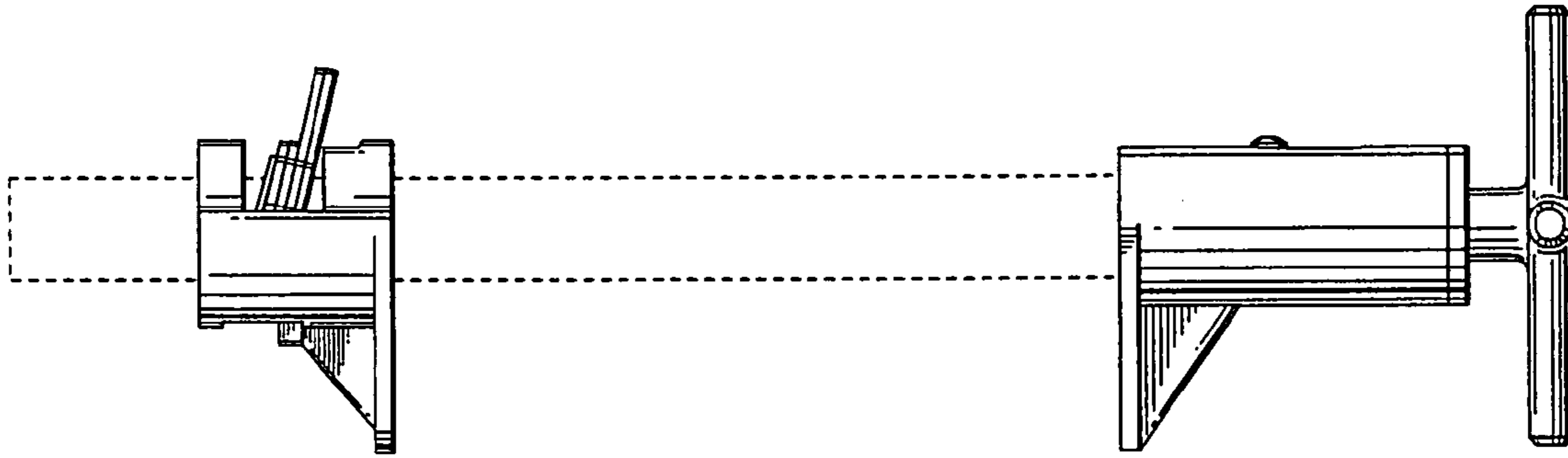


FIG. 16

