

US00D548034S

(12) **United States Design Patent**  
**Hayakawa et al.**

(10) **Patent No.:** **US D548,034 S**

(45) **Date of Patent:** **\*\* Aug. 7, 2007**

(54) **PORTABLE ELECTRIC GRINDER**

(75) Inventors: **Naohiro Hayakawa**, Anjo (JP);  
**Tadashi Fukumoto**, Anjo (JP)

(73) Assignee: **Makita Corporation**, Anjo (JP)

(\*\*) Term: **14 Years**

(21) Appl. No.: **29/270,686**

(22) Filed: **Jan. 3, 2007**

(30) **Foreign Application Priority Data**

Jul. 13, 2006 (JP) ..... 2006-018534

(51) **LOC (8) Cl.** ..... **08-01**

(52) **U.S. Cl.** ..... **D8/62**

(58) **Field of Classification Search** ..... D8/69,  
D8/67, 62, 61; 451/359, 358, 357, 356, 354,  
451/353, 351, 344, 294; 173/168  
See application file for complete search history.

(56) **References Cited**

**U.S. PATENT DOCUMENTS**

D255,417 S \* 6/1980 Sakamoto et al. .... D8/62  
D297,907 S \* 10/1988 Hoshimo et al. .... D8/62  
D305,399 S \* 1/1990 Fushiya et al. .... D8/62  
6,241,594 B1 \* 6/2001 Lepold ..... 451/359  
6,527,630 B2 \* 3/2003 Mannsperger et al. .... 451/344  
D475,263 S \* 6/2003 Andriolo ..... D8/62  
D494,827 S \* 8/2004 Liu ..... D8/62

D498,653 S \* 11/2004 Wu ..... D8/62  
D521,833 S 5/2006 Okuda et al.  
D522,334 S \* 6/2006 Waldron ..... D8/62  
D523,308 S \* 6/2006 Corcoran ..... D8/62  
D524,129 S \* 7/2006 Waldron ..... D8/62

**FOREIGN PATENT DOCUMENTS**

JP 1015695 7/1998

\* cited by examiner

*Primary Examiner*—Cathron C. Brooks

*Assistant Examiner*—Austin Murphy

(74) *Attorney, Agent, or Firm*—Oliff & Berridge, PLC

(57) **CLAIM**

The ornamental design for a portable electric grinder, as shown and described.

**DESCRIPTION**

FIG. 1 is a perspective view of a portable electric grinder showing our new design;

FIG. 2 is a front elevation view thereof;

FIG. 3 is a rear elevation view thereof;

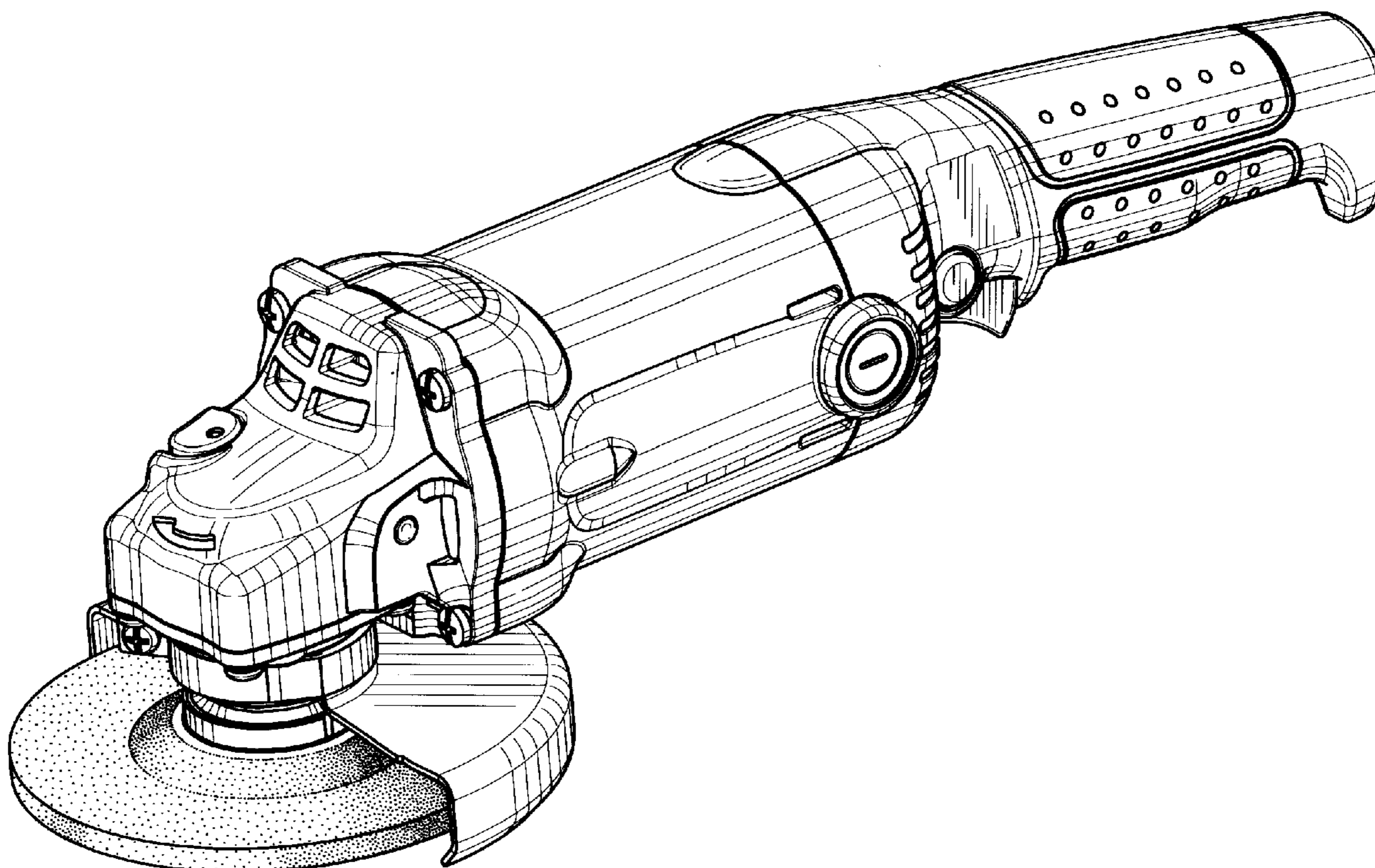
FIG. 4 is a left side elevation view thereof;

FIG. 5 is a right side elevation view thereof;

FIG. 6 is a top plan view thereof; and,

FIG. 7 is a bottom plan view thereof.

**1 Claim, 6 Drawing Sheets**



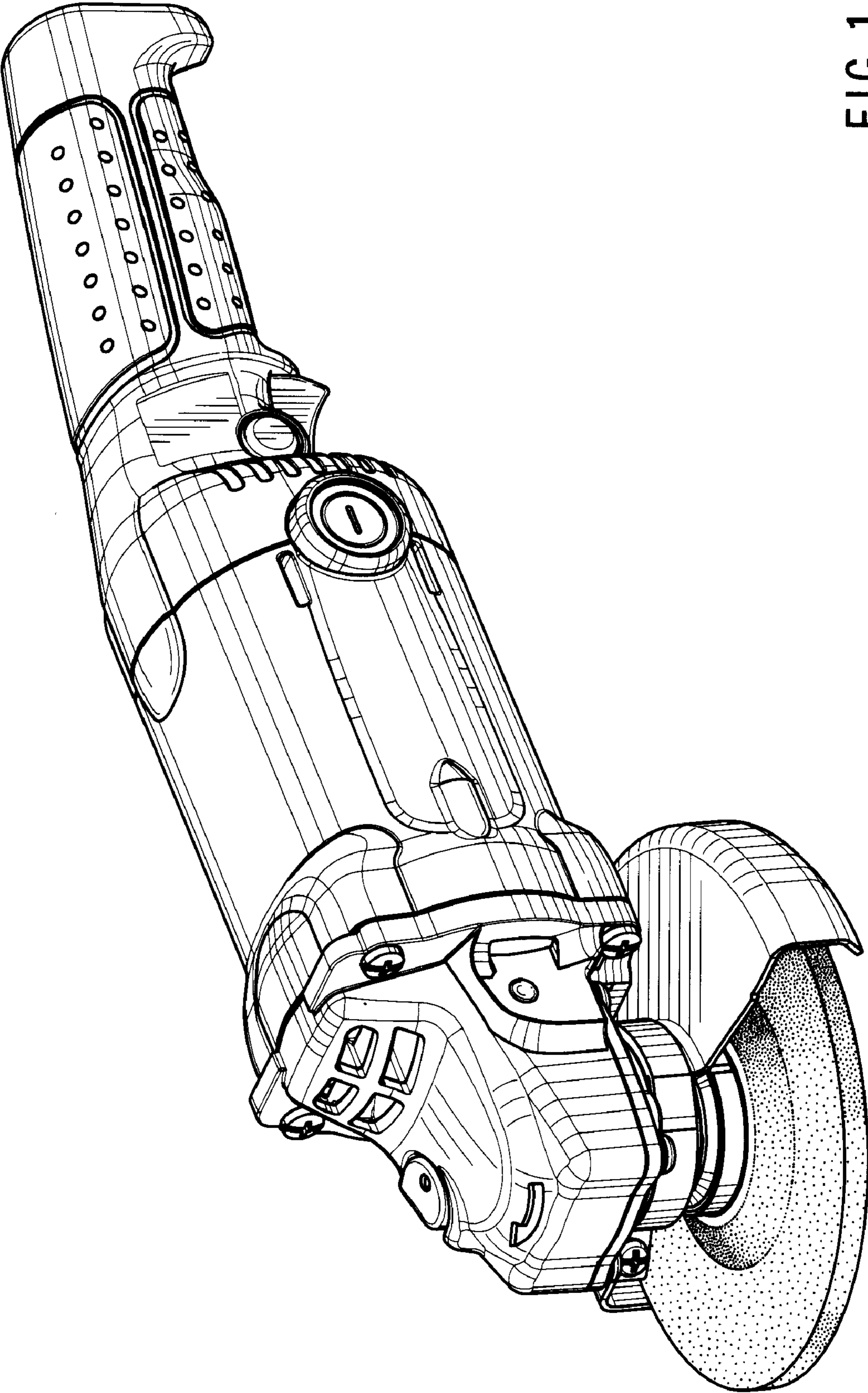


FIG. 1

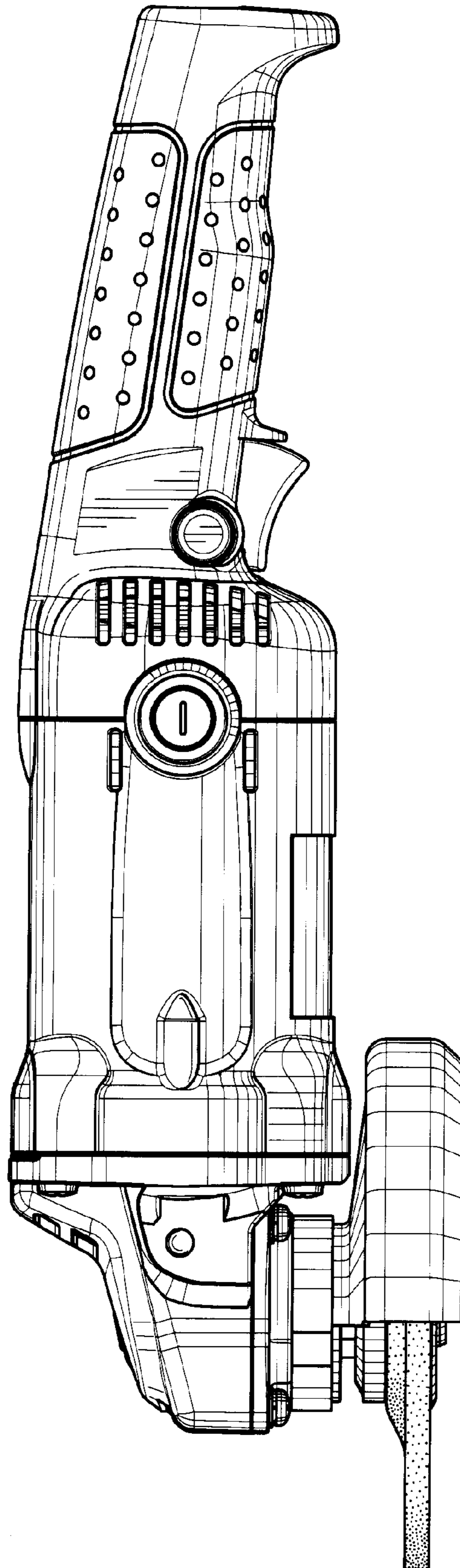


FIG. 2

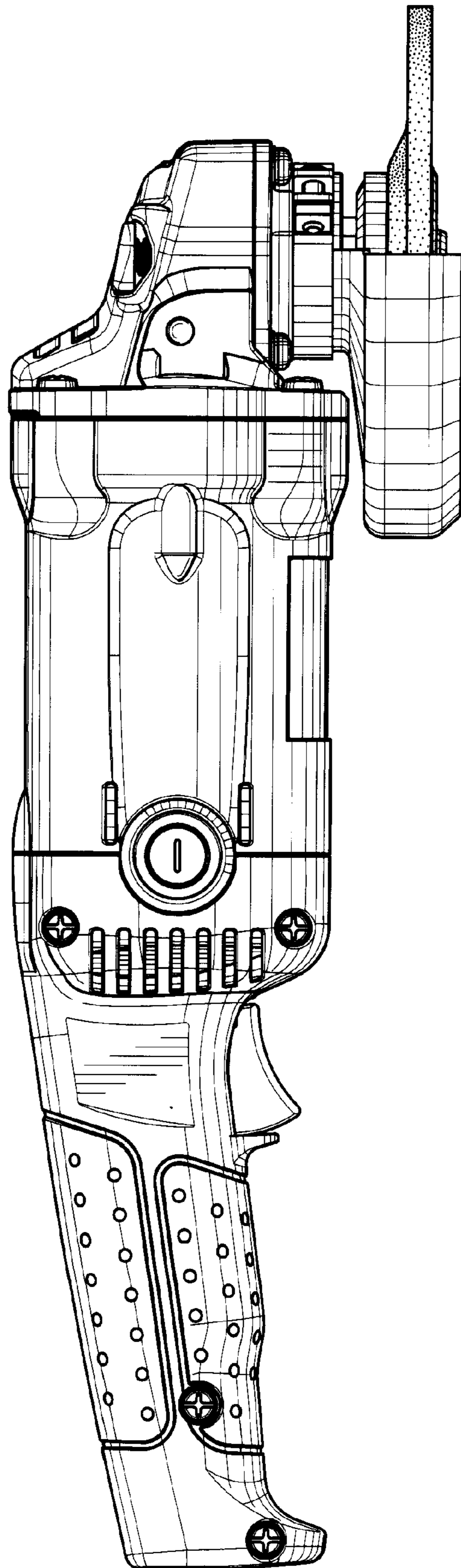


FIG. 3

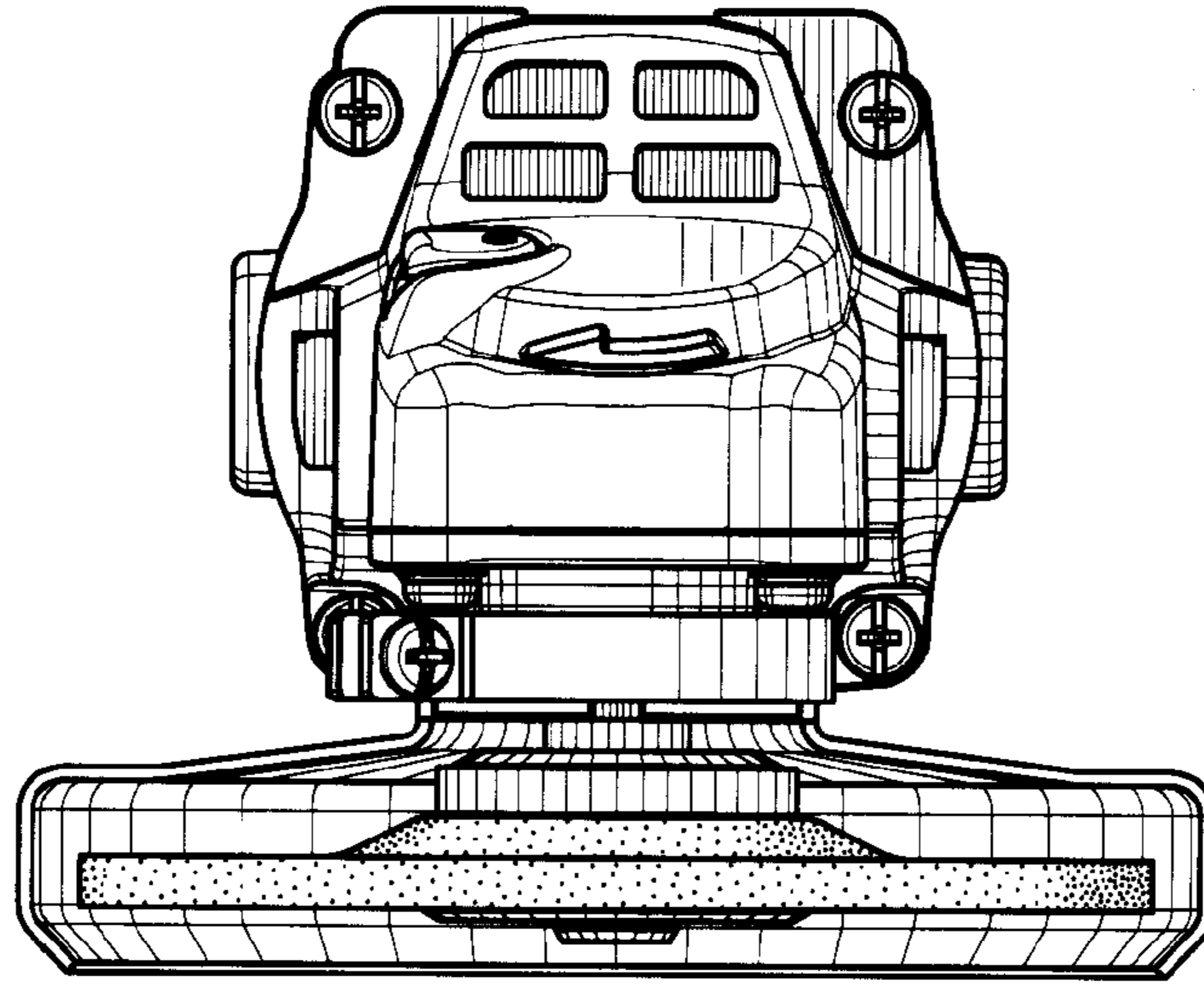


FIG. 4

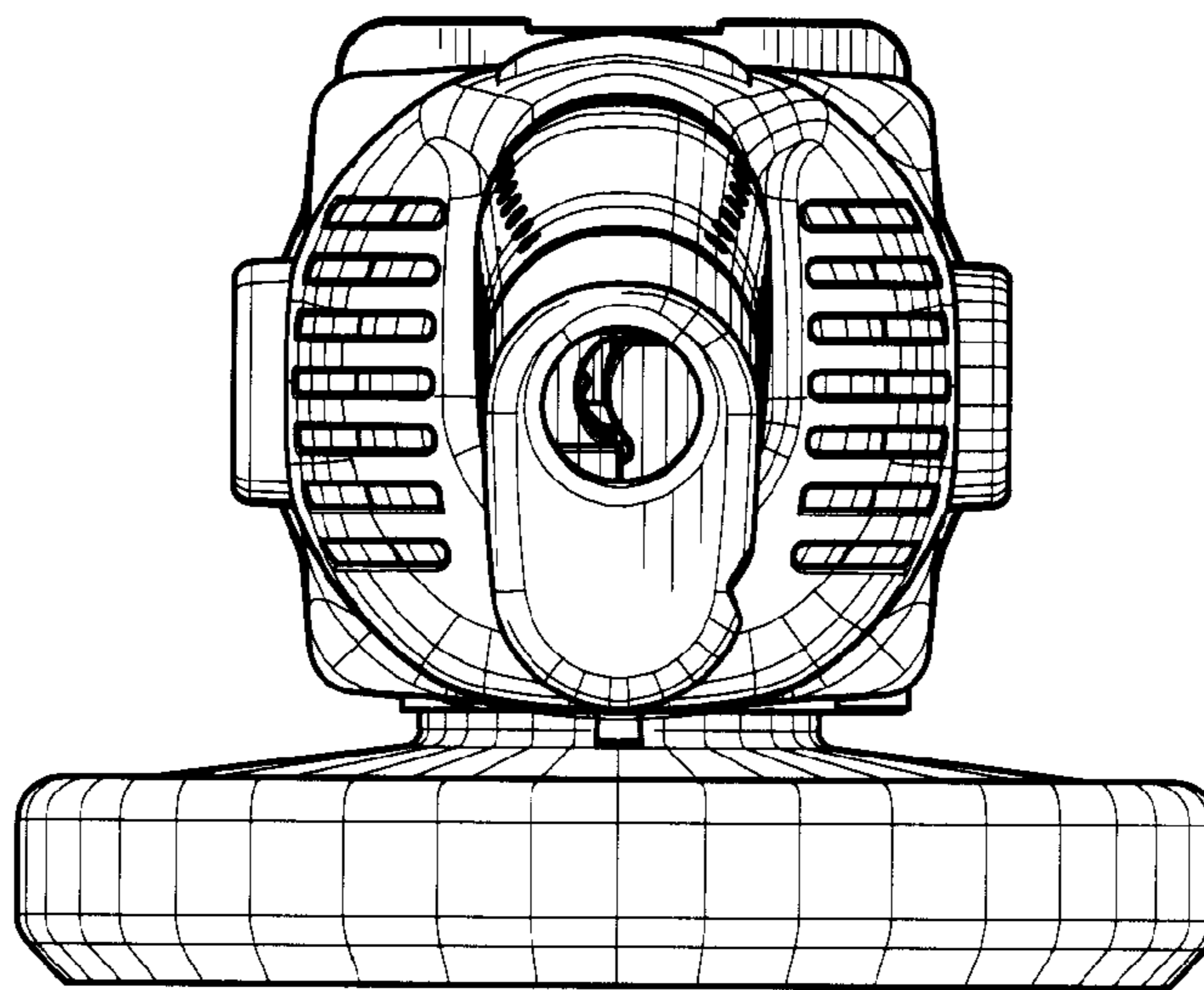


FIG. 5

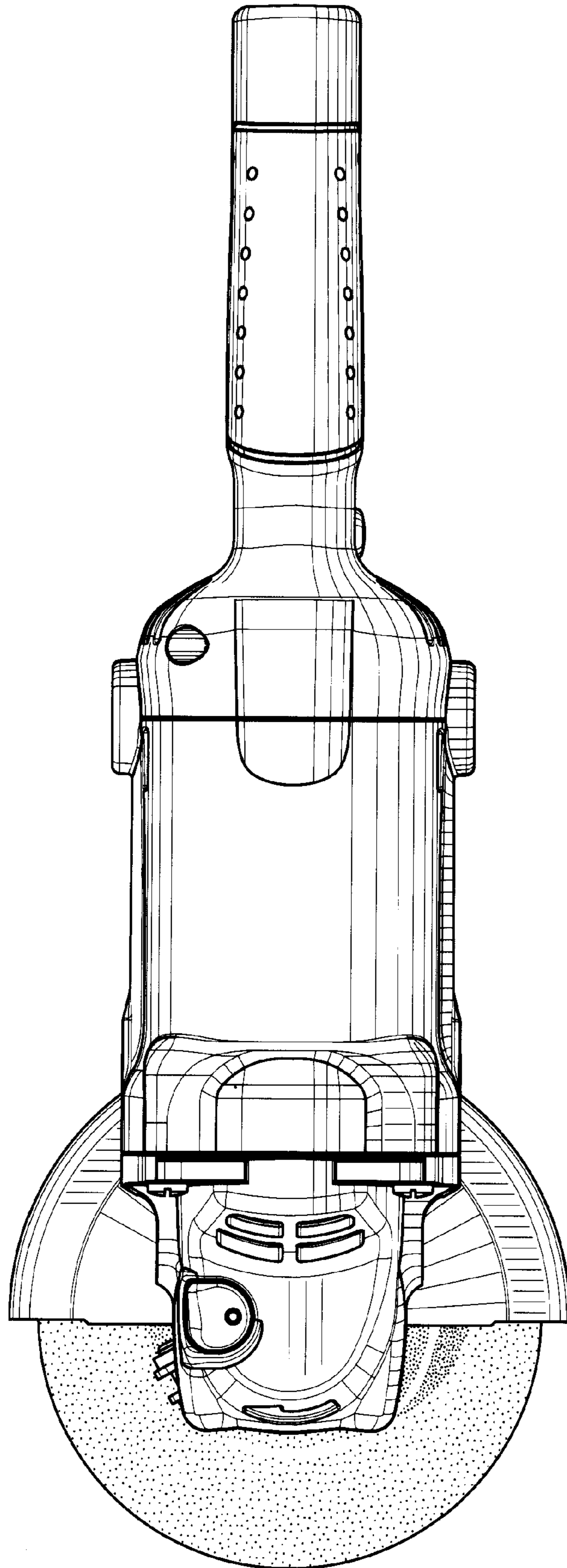


FIG. 6

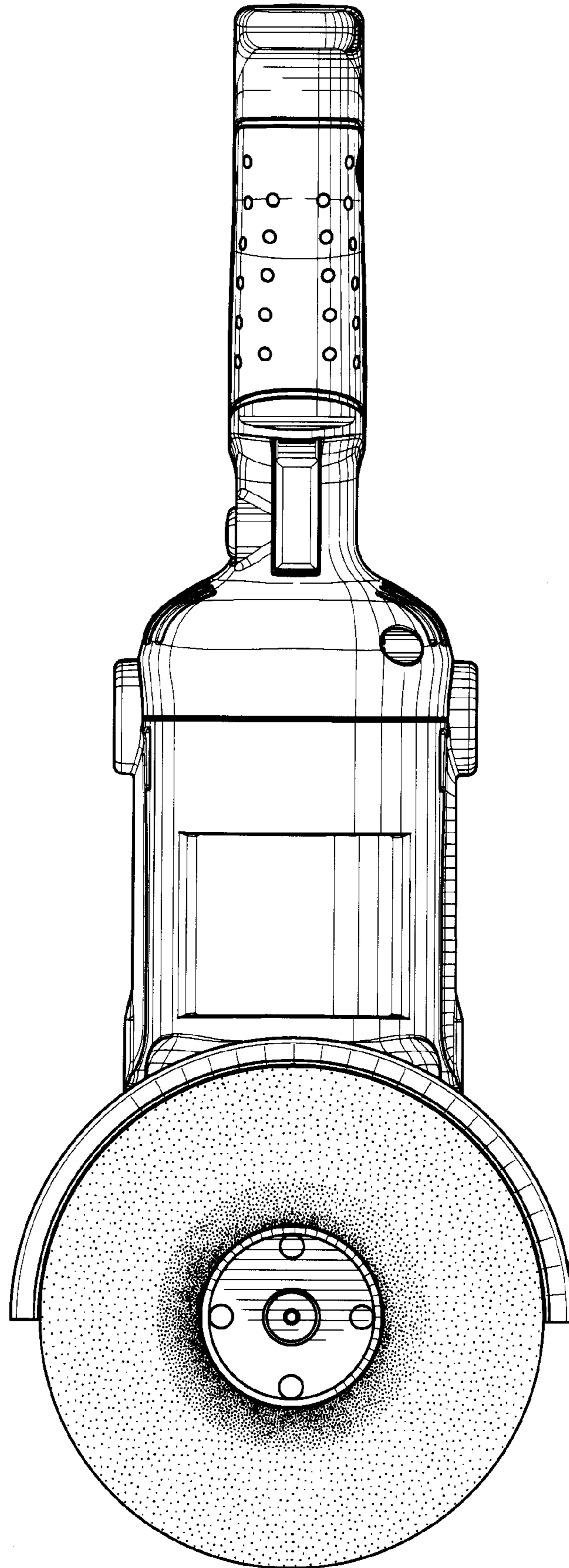


FIG. 7