

US00D548031S

(12) **United States Design Patent**
Decuir

(10) **Patent No.:** **US D548,031 S**

(45) **Date of Patent:** **** Aug. 7, 2007**

(54) **SOCKET**

(75) Inventor: **Alex Decuir**, Pinon Hills, CA (US)

(73) Assignee: **Made For You Products, LLC**, Pinon Hills, CA (US)

(**) Term: **14 Years**

(21) Appl. No.: **29/260,041**

(22) Filed: **May 18, 2006**

(51) **LOC (8) Cl.** **08-05**

(52) **U.S. Cl.** **D8/29**

(58) **Field of Classification Search** D8/17-29,
D8/105, 107, 52, 55; 81/119, 121.1, 86,
81/124.2, 125, 125.1, 176.1, 176.2, 177.1,
81/177.2, 177.3, 177.85, 124.3, 124.7, 176.3,
81/58.3, 300, 58.1, 60, 63.1, 121.7, 436,
81/437, 165, 418, 166, 168, 169, 170, 179,
81/160, 3.57, 3.55, 58.4, 186; 140/119; 16/422,
16/429

See application file for complete search history.

(56) **References Cited**

U.S. PATENT DOCUMENTS

120,304 A	10/1871	McBride	
1,415,826 A	5/1922	Finkhousen	
1,626,906 A	5/1927	Zilliox	
D195,736 S *	7/1963	Mcmanus	D8/29
4,063,472 A	12/1977	MacIntyre et al.	
D274,881 S *	7/1984	Wilsey	D8/29

D364,542 S *	11/1995	Pollard	D8/14
5,562,006 A	10/1996	Pelosi, Jr. et al.	
5,697,268 A *	12/1997	Makovsky et al.	81/125
D434,291 S *	11/2000	Kim	D8/21
6,202,515 B1	3/2001	Denton	
D480,933 S *	10/2003	Wendt	D8/21

* cited by examiner

Primary Examiner—Raphael Barkai

Assistant Examiner—Randall H. Gholson

(74) *Attorney, Agent, or Firm*—Stetina Brunda Garred & Brucker

(57) **CLAIM**

The ornamental design for a socket, as shown and described.

DESCRIPTION

FIG. 1 is a top perspective view of the socket of the present invention showing my new design;

FIG. 2 is a right side view thereof;

FIG. 3 is a left side view thereof;

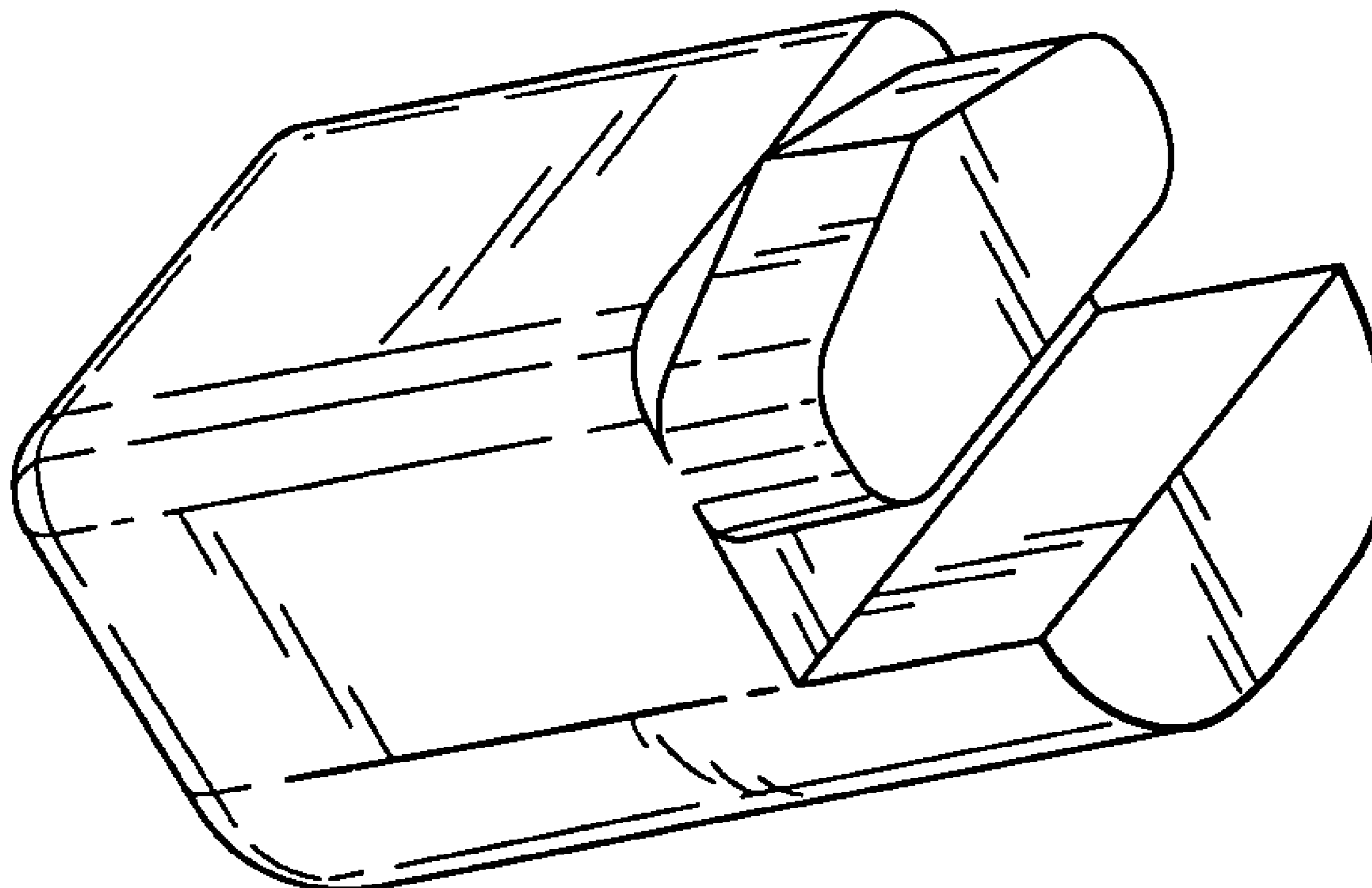
FIG. 4 is a front view thereof;

FIG. 5 is a top view thereof; and,

FIG. 6 is a bottom view thereof.

The broken line shown on the rear of the socket is included for the purpose of illustrating the socket and forms no part of the claimed design.

1 Claim, 2 Drawing Sheets



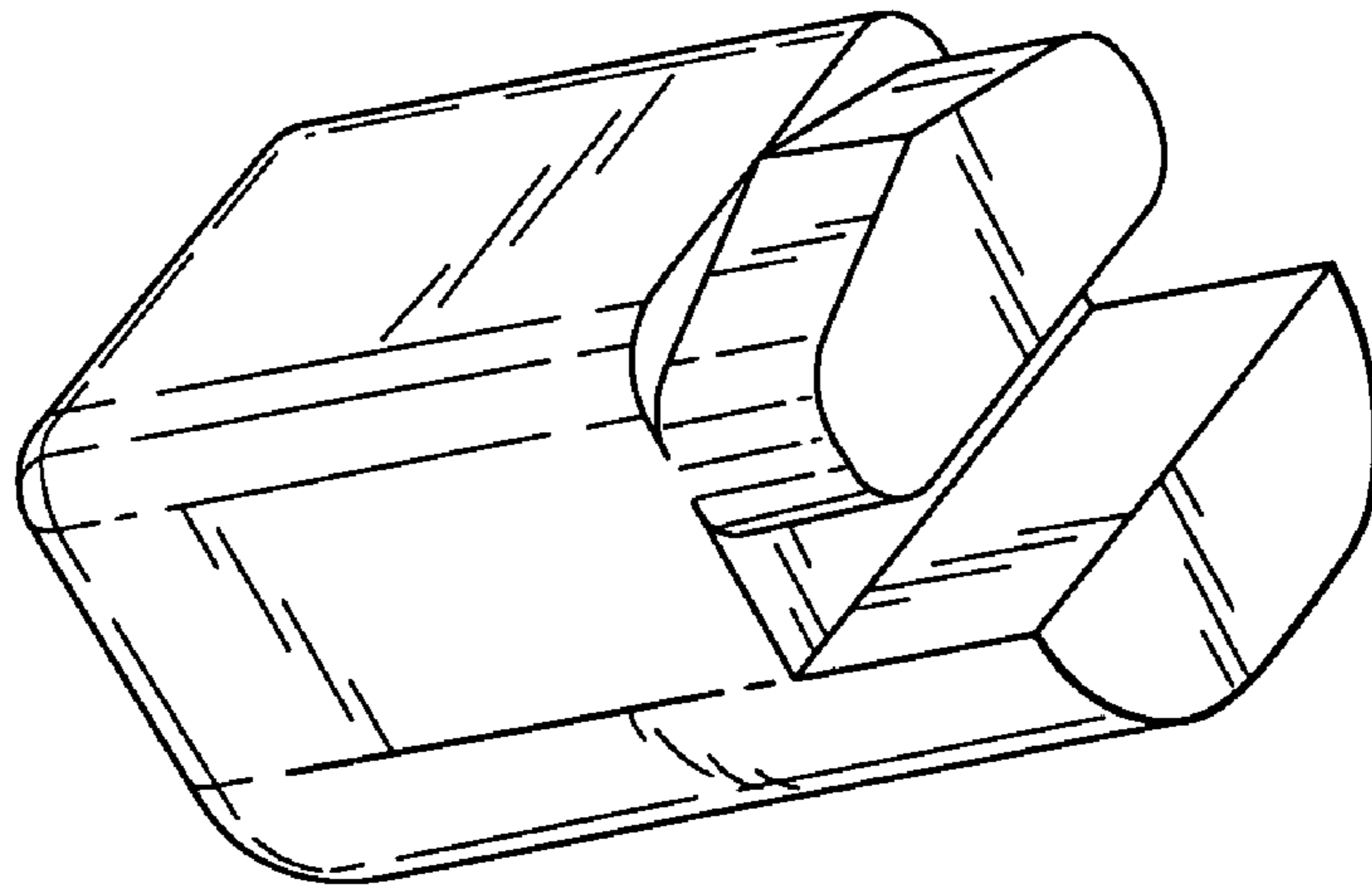


FIG. 1

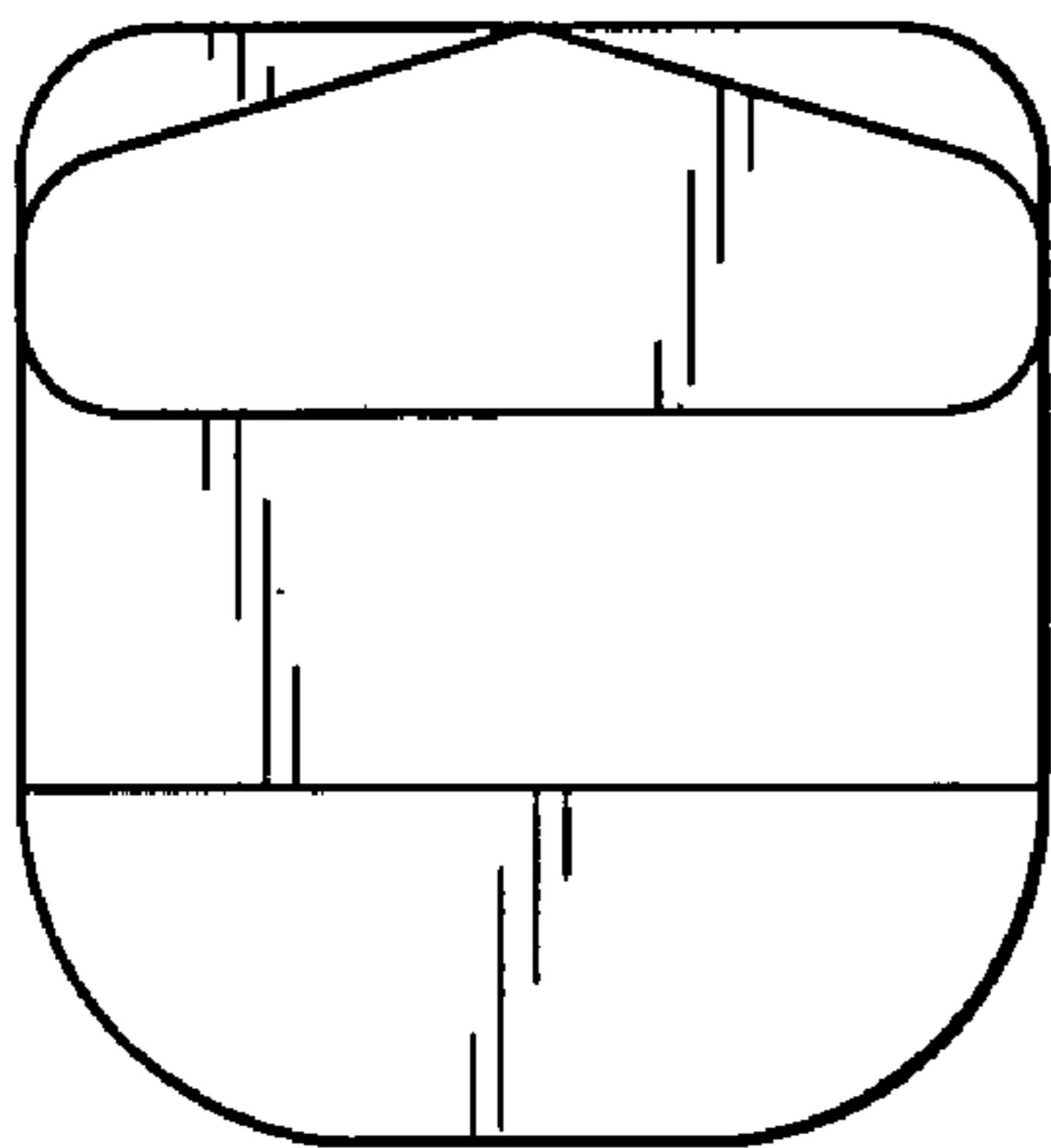


FIG. 2

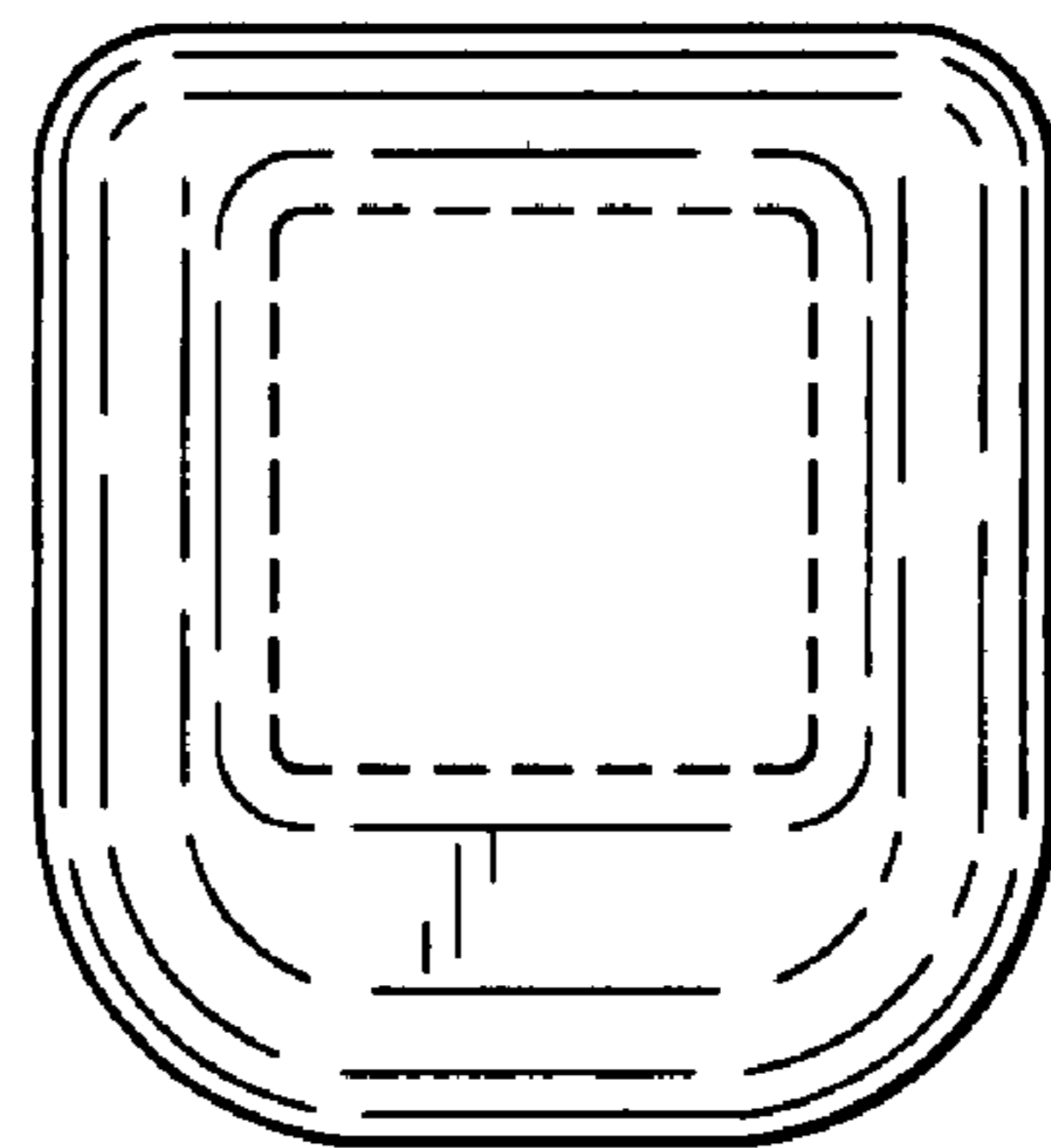


FIG. 3

FIG. 4

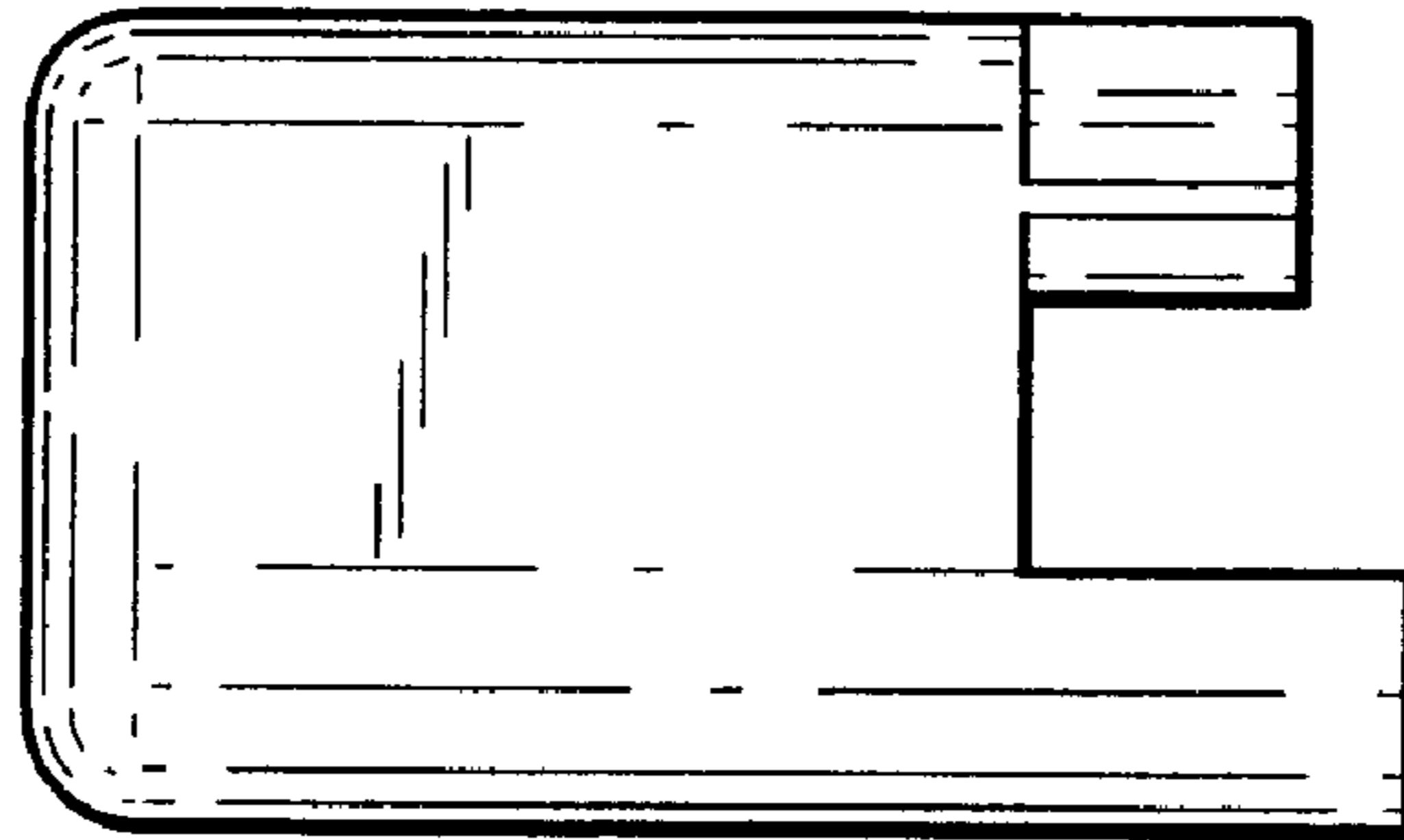


FIG. 5

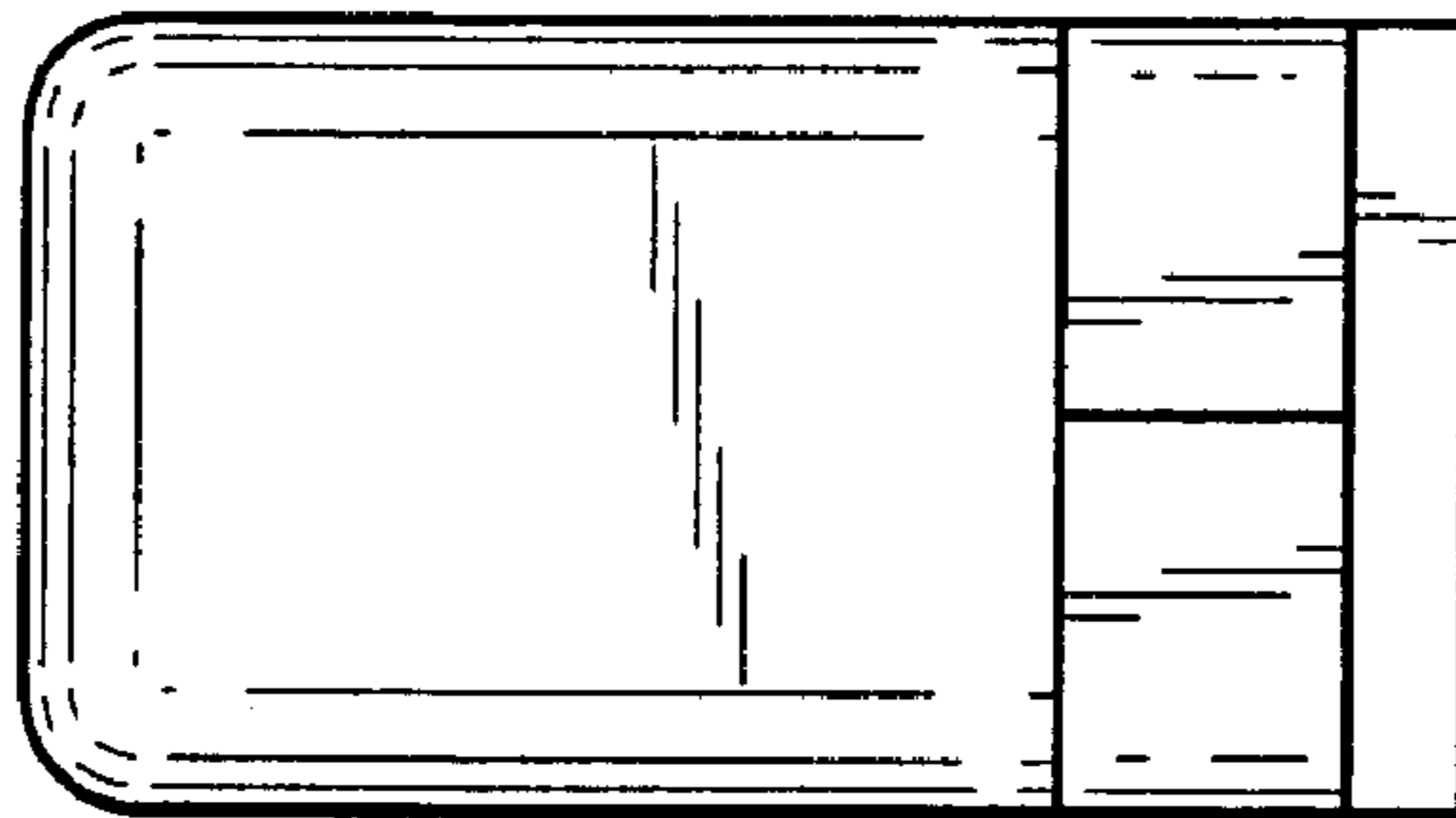


FIG. 6

