

US00D548029S

(12) **United States Design Patent** (10) **Patent No.:** **US D548,029 S**
Evans et al. (45) **Date of Patent:** **** Aug. 7, 2007**

(54) **STRING TRIMMER**

GB 1 311 118 3/1973
WO WO 92/03368 3/1992

(75) Inventors: **D. Scott Evans**, Mathews, VA (US);
Richard Rosa, Kingston (CA); **Joshua**
D. Eaton, Frankville (CA); **Sergio**
Santos, Tamaulipas (MX)

OTHER PUBLICATIONS

AU 309412 S (Mart Stratford) Feb. 3, 2006 (abstract)
[online]□□[Retrieved on Feb. 22, 2007] Retrieved from the AU
Database.*

(73) Assignee: **Black & Decker Inc.**, Newark, DE
(US)

Uk 3006229 (Electrolux Outdoor Products Limited) Aug. 14, 2002
(abstract) [online]□□[Retrieved on Feb. 22, 2007] Retrieved from
the UK database.*

(**) Term: **14 Years**

* cited by examiner

(21) Appl. No.: **29/244,248**

Primary Examiner—Holly H. Baynham

Assistant Examiner—Sheryl Friedman

(22) Filed: **Dec. 7, 2005**

(74) *Attorney, Agent, or Firm*—John Yun; Bruce S. Shapiro;
Wesley Muller

(51) **LOC (8) Cl.** **08-01**

(52) **U.S. Cl.** **D8/8**

(58) **Field of Classification Search** D8/7,

D8/8, 14; 56/12.7; 30/276

See application file for complete search history.

(57) **CLAIM**

The ornamental design for a string trimmer, as shown and
described.

(56) **References Cited**

DESCRIPTION

U.S. PATENT DOCUMENTS

FIG. 1 is a perspective view of a string trimmer showing our
new design.

2,920,351 A	1/1960	Hardesty et al.	
4,149,765 A	4/1979	Mortelmans	
4,384,688 A	5/1983	Smith	
4,607,431 A	8/1986	Gay	
4,976,031 A	12/1990	Miller	
5,063,673 A	11/1991	Webster	
RE34,358 E	8/1993	Miller	
5,490,641 A	2/1996	Worthing	
5,544,417 A	8/1996	Atos et al.	
6,116,349 A	9/2000	Wilson	
6,301,866 B1	10/2001	Marshall et al.	
D463,722 S *	10/2002	Robson	D8/8
D483,236 S *	12/2003	Martin et al.	D8/8
6,742,263 B2 *	6/2004	Ellson et al.	30/276
D530,163 S *	10/2006	Xue-Feng	D8/8

FIG. 2 is a front view of the string trimmer according to FIG.
1.

FIG. 3 is a rear view of the string trimmer according to FIG.
1.

FIG. 4 is a right side view of the string trimmer according
to FIG. 1.

FIG. 5 is a left side view of the string trimmer according to
FIG. 1.

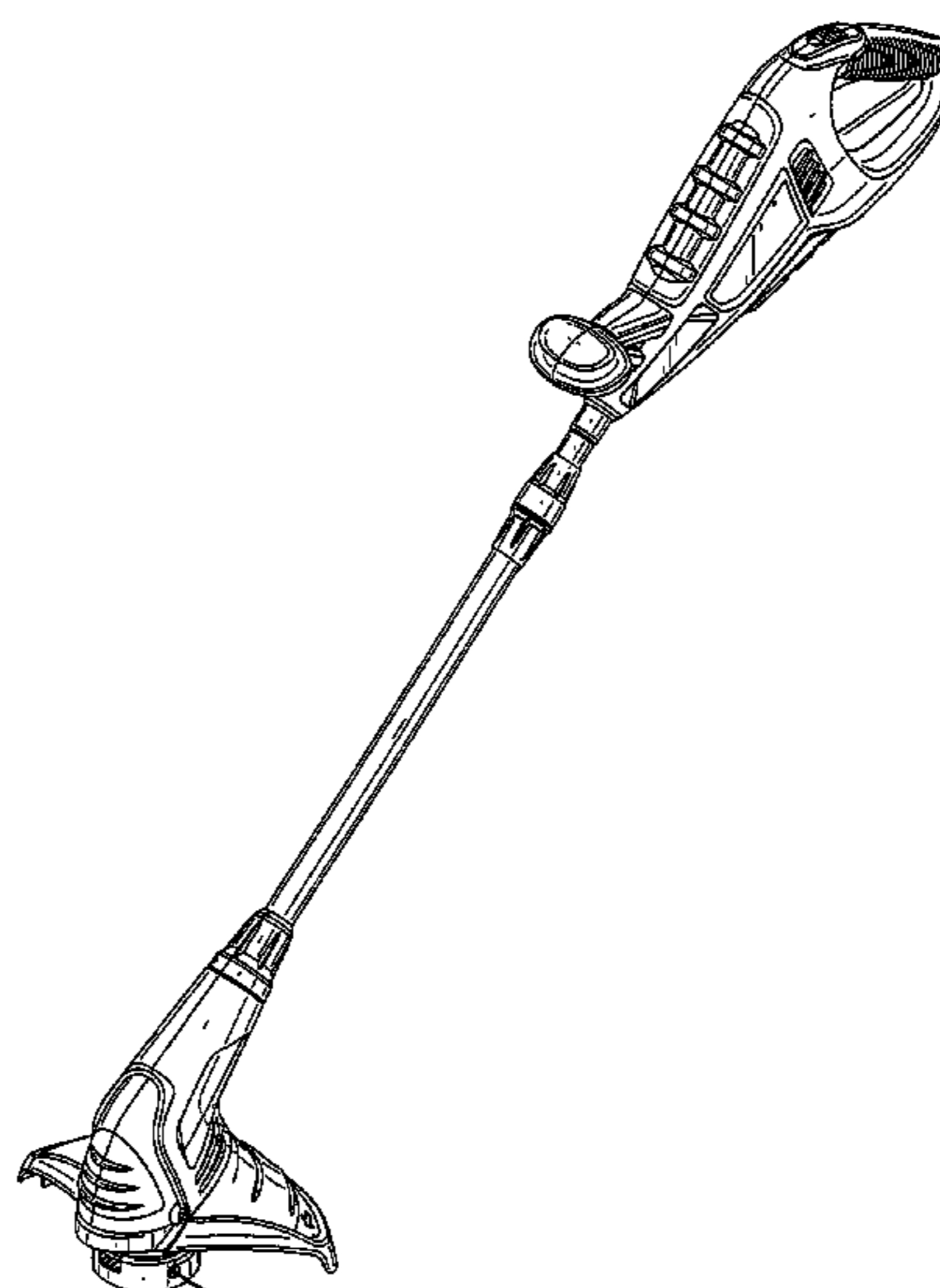
FIG. 6 is a top view of the string trimmer according to FIG.
1; and,

FIG. 7 is a bottom view of the string trimmer according to
FIG. 1.

FOREIGN PATENT DOCUMENTS

GB 1 229 442 4/1971

1 Claim, 7 Drawing Sheets



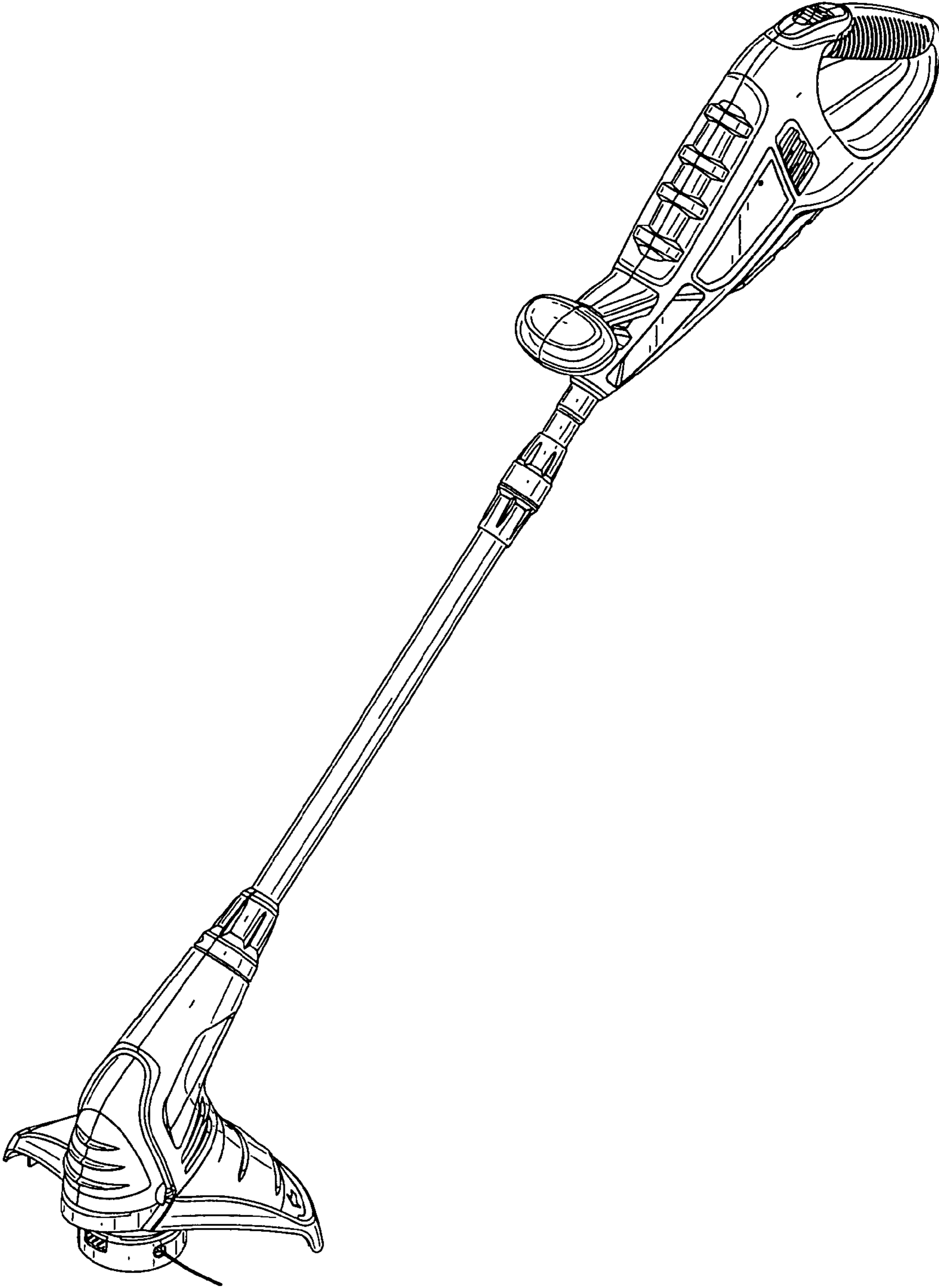


FIG. 1

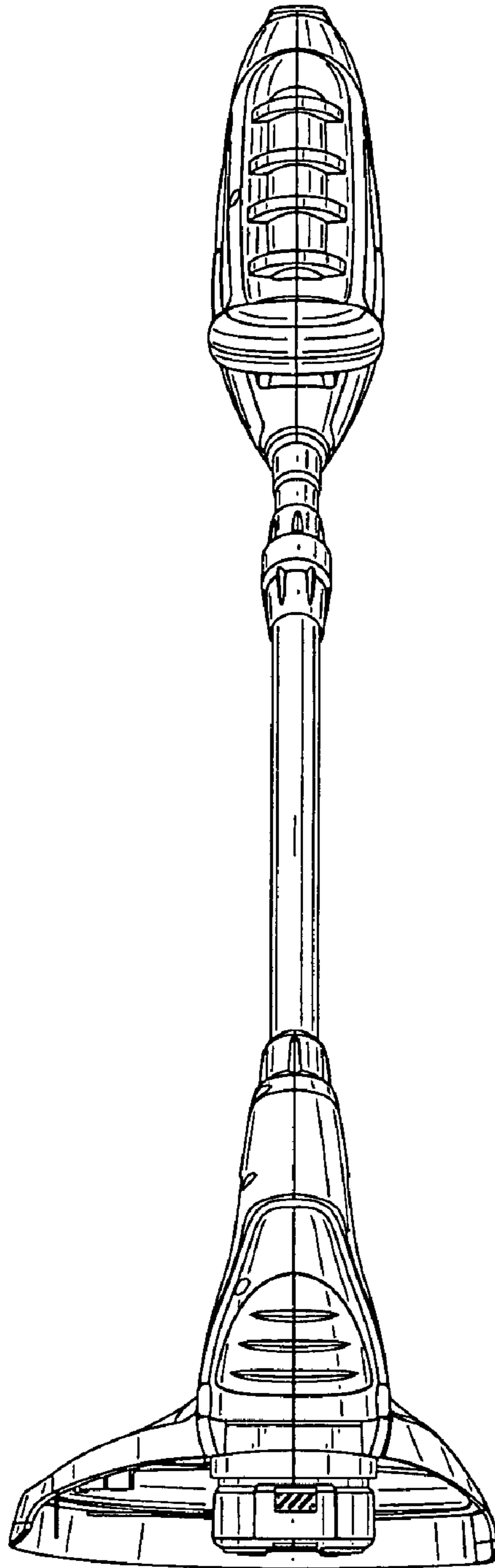


FIG. 2

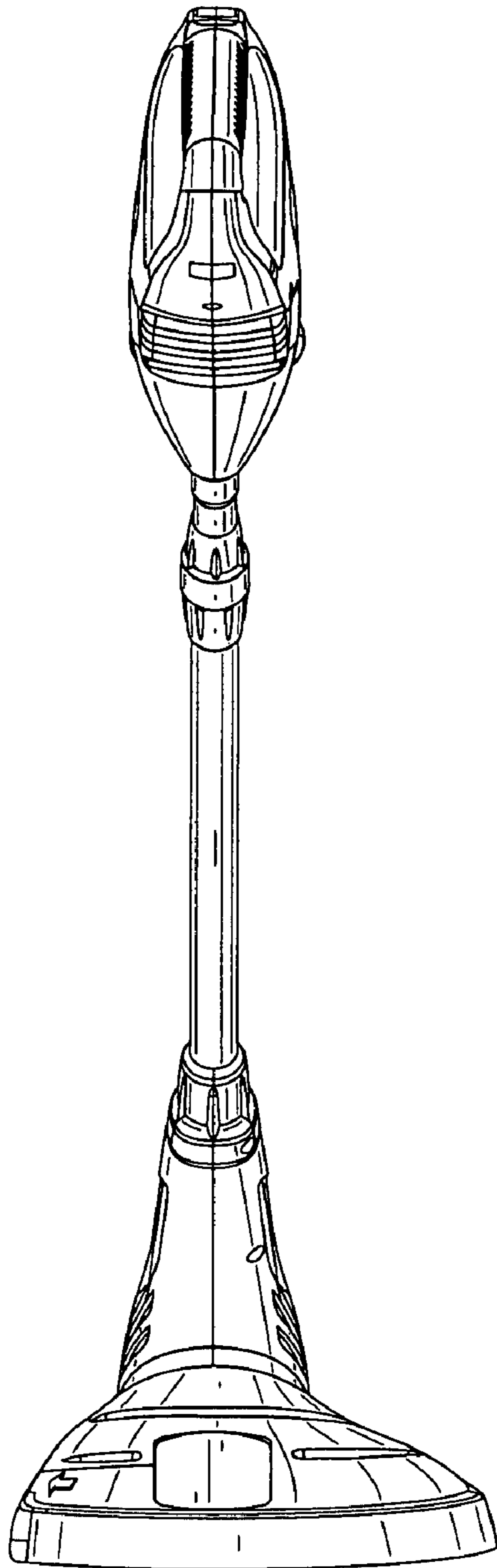


FIG. 3

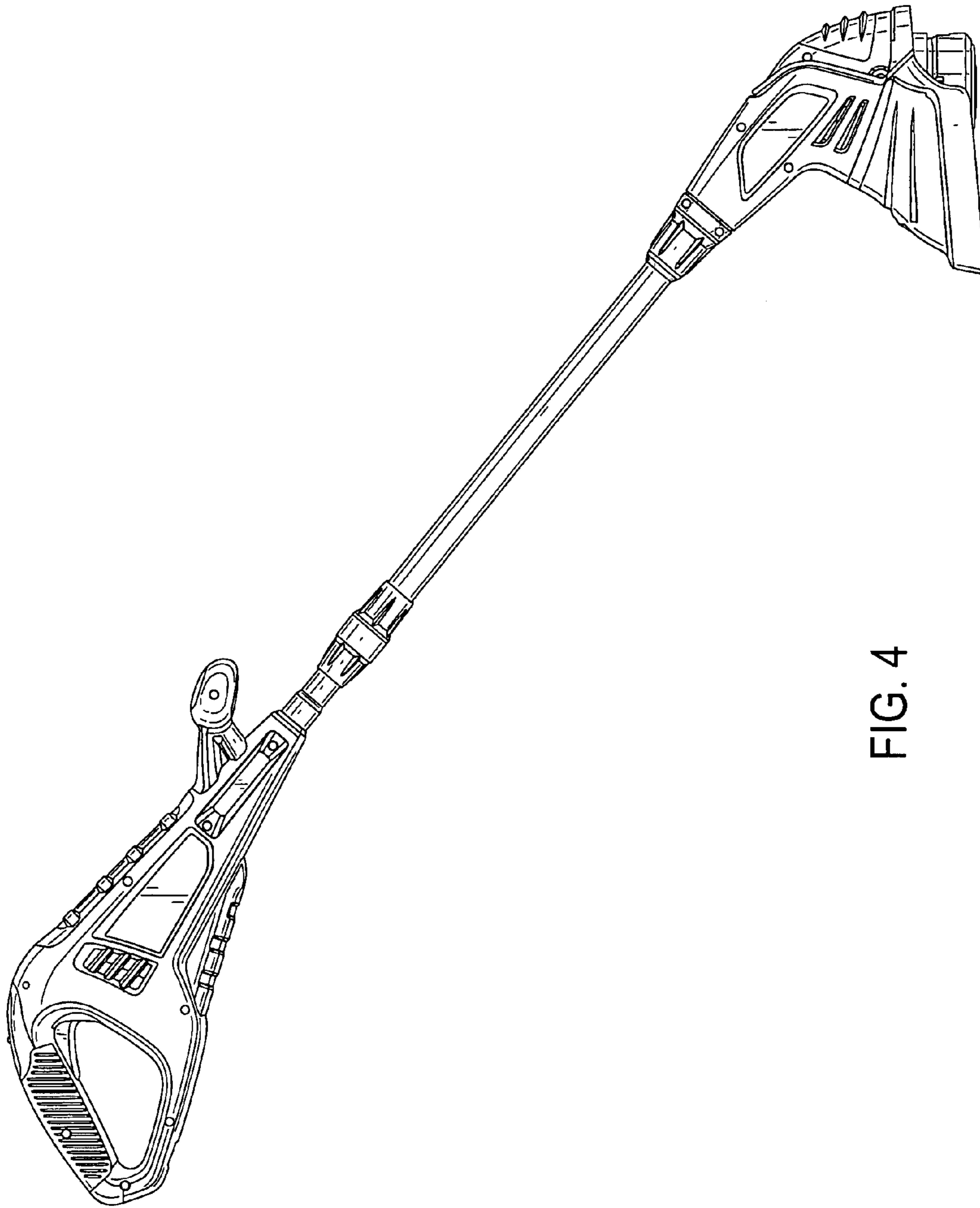


FIG. 4

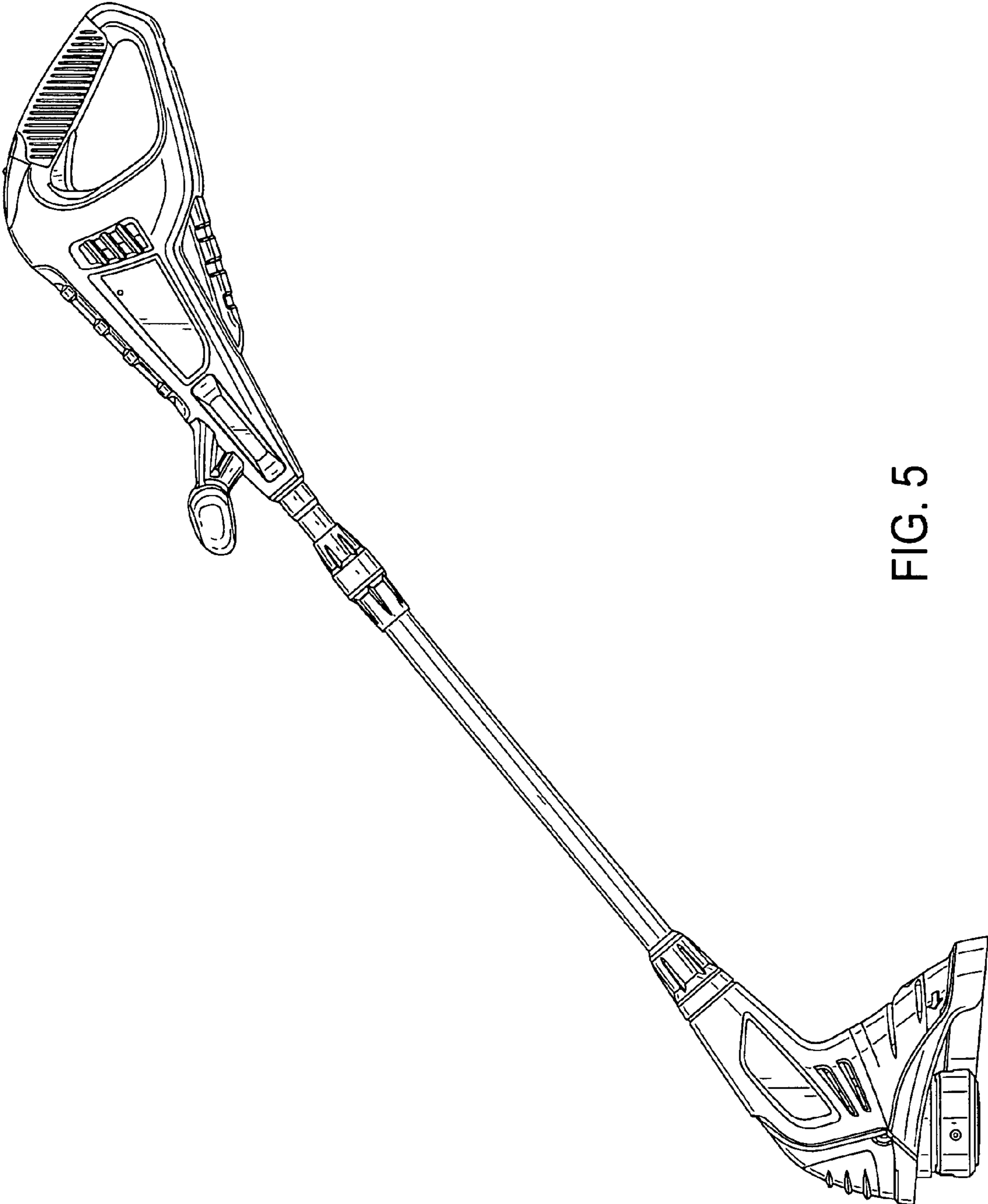


FIG. 5

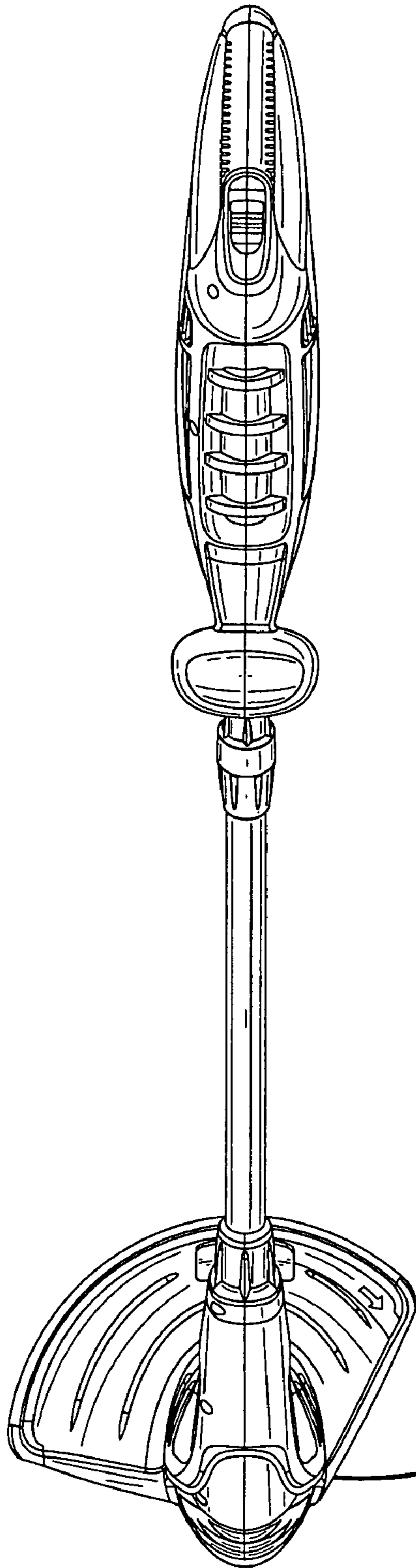


FIG. 6

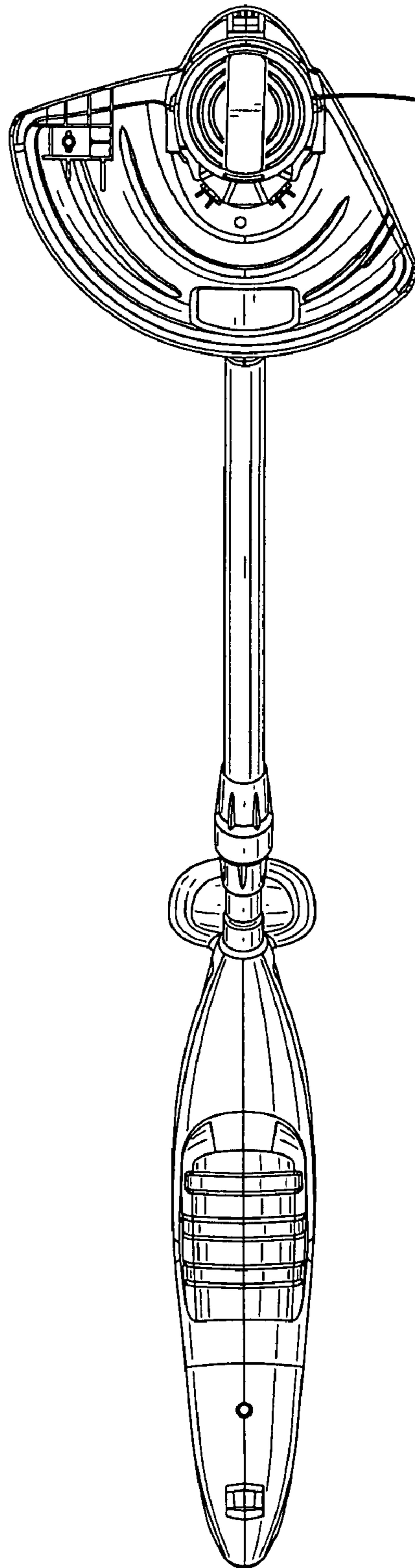


FIG. 7