



US00D548025S

(12) **United States Design Patent**  
**Kaposi**

(10) **Patent No.:** **US D548,025 S**  
(45) **Date of Patent:** **\*\* Aug. 7, 2007**

- (54) **FOOD CHOPPER**
- (75) Inventor: **Sascha Kaposi**, Tacoma, WA (US)
- (73) Assignee: **Progressive International Corporation**, Kent, WA (US)
- (\*\*) Term: **14 Years**
- (21) Appl. No.: **29/277,335**
- (22) Filed: **Feb. 21, 2007**

3,077,213 A	2/1963	Germano
3,601,249 A	8/1971	Larsson
3,997,072 A	12/1976	Guth
4,095,339 A	6/1978	Turner
4,212,431 A	7/1980	Doyel
4,457,070 A	7/1984	Reeves
4,557,053 A	12/1985	Hadley, Jr.
4,574,479 A	3/1986	Gramann
4,670,987 A	6/1987	Casey, Jr.
4,759,148 A	7/1988	Love
4,924,575 A	5/1990	James
D331,687 S *	12/1992	Pujol Gilbert ..... D7/678

**Related U.S. Application Data**

- (63) Continuation of application No. 11/670,255, filed on Feb. 1, 2007, which is a continuation of application No. 11/033,944, filed on Jan. 11, 2005, now Pat. No. 7,191,691.
- (51) **LOC (8) Cl.** ..... **07-04**
- (52) **U.S. Cl.** ..... **D7/693; D7/672**
- (58) **Field of Classification Search** ..... D7/693, D7/672-675, 678, 381-385; 30/299, 124, 30/114-117; 83/167, 564, 597, 599, 857, 83/932, 662, 466.1, 651.1; 220/523, 527, 220/625; 99/508-513, 538, 545; 241/93-95, 241/168, 273.1-273.5, 169.1  
See application file for complete search history.

**References Cited**

**U.S. PATENT DOCUMENTS**

113,023 A	3/1871	Crawford
751,433 A	2/1904	Kennedy
809,952 A	1/1906	Hoffa
928,019 A	7/1909	Bartow
1,504,501 A	8/1924	Pope
1,674,475 A	6/1928	Loomis
2,030,975 A	2/1936	Fairchild
2,309,814 A	2/1943	Youngberg
2,485,877 A	10/1949	Hamilton, Jr.

(Continued)

**FOREIGN PATENT DOCUMENTS**

WO 02064331 8/2002

*Primary Examiner*—Terry A. Wallace  
(74) *Attorney, Agent, or Firm*—Black Lowe & Graham, PLLC

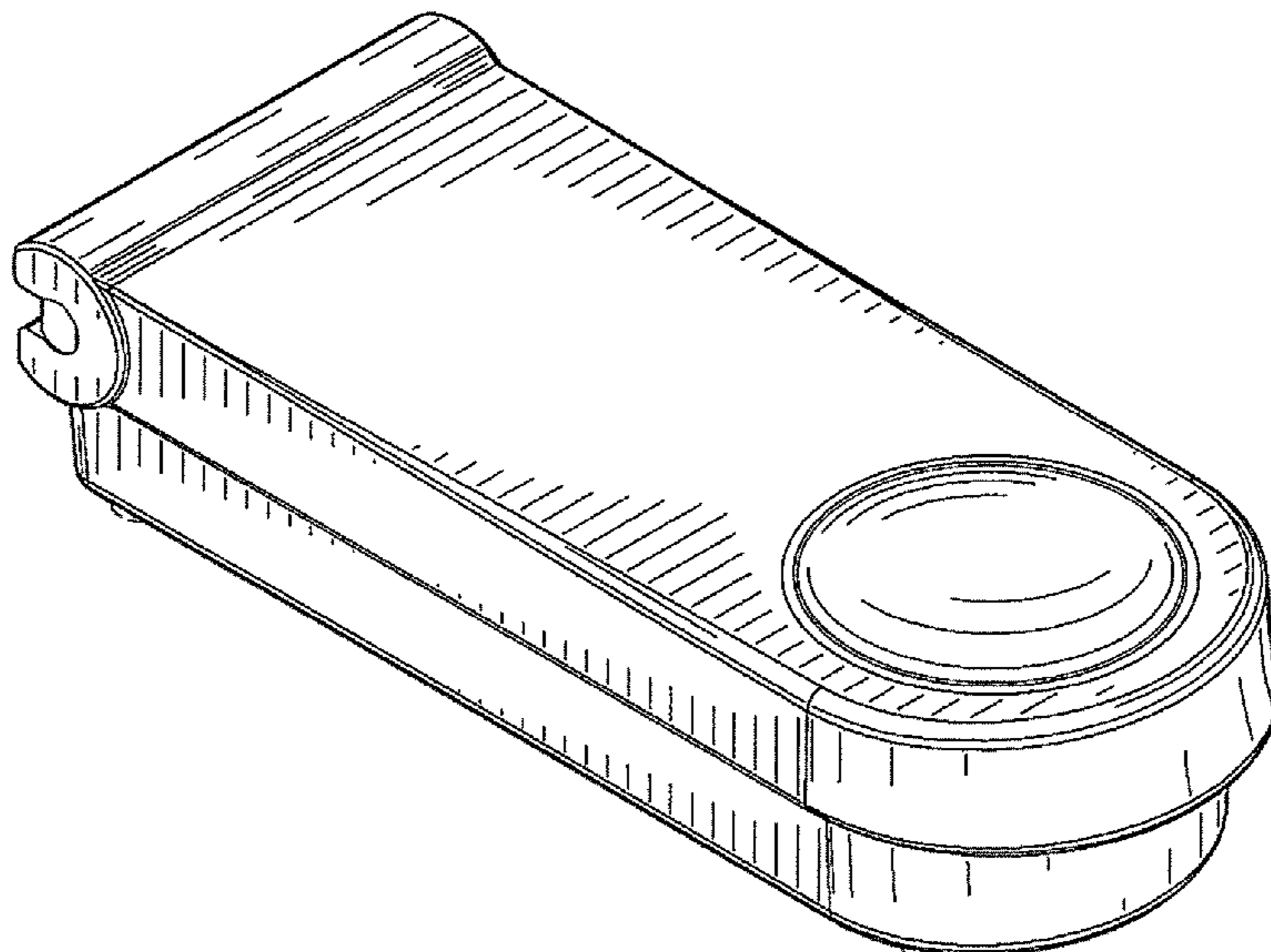
(57) **CLAIM**

I claim the ornamental design for the food chopper, as shown and described.

**DESCRIPTION**

FIG. 1 is a top view of the food chopper;  
 FIG. 2 is a left side view of the food chopper, the right side view being a mirror image;  
 FIG. 3 is a bottom view of the food chopper;  
 FIG. 4 is a front view of the food chopper;  
 FIG. 5 is a back view of the food chopper; and,  
 FIG. 6 is a perspective view of the food chopper.  
 The broken lines are for illustrative purposes only and form no part of the claimed design.

**1 Claim, 3 Drawing Sheets**



# US D548,025 S

Page 2

---

## U.S. PATENT DOCUMENTS

5,303,472	A	4/1994	Mbanugo	6,336,552	B1	1/2002	Meier
5,499,578	A	3/1996	Payne	6,558,244	B1	5/2003	Nedelka
5,516,038	A	5/1996	Zaccarini	D485,328	S	1/2004	Jastrzembski
5,562,533	A	10/1996	Gallagher	6,726,266	B2	4/2004	May
5,692,424	A *	12/1997	Wallace ..... 83/167	6,805,032	B2	10/2004	Engdahl
5,704,485	A	1/1998	Cautereels et al.	D499,615	S	12/2004	Nordgren
5,937,525	A	8/1999	Chan	D519,001	S *	4/2006	So ..... D7/678
5,967,875	A	10/1999	Graef	2002/0003144	A1	1/2002	Grimes
D447,391	S *	9/2001	Bodum ..... D7/678	2003/0051345	A1	3/2003	Yeung Louie et al.
6,293,445	B1	9/2001	Miller	2004/0055437	A1	3/2004	Engdahl

\* cited by examiner

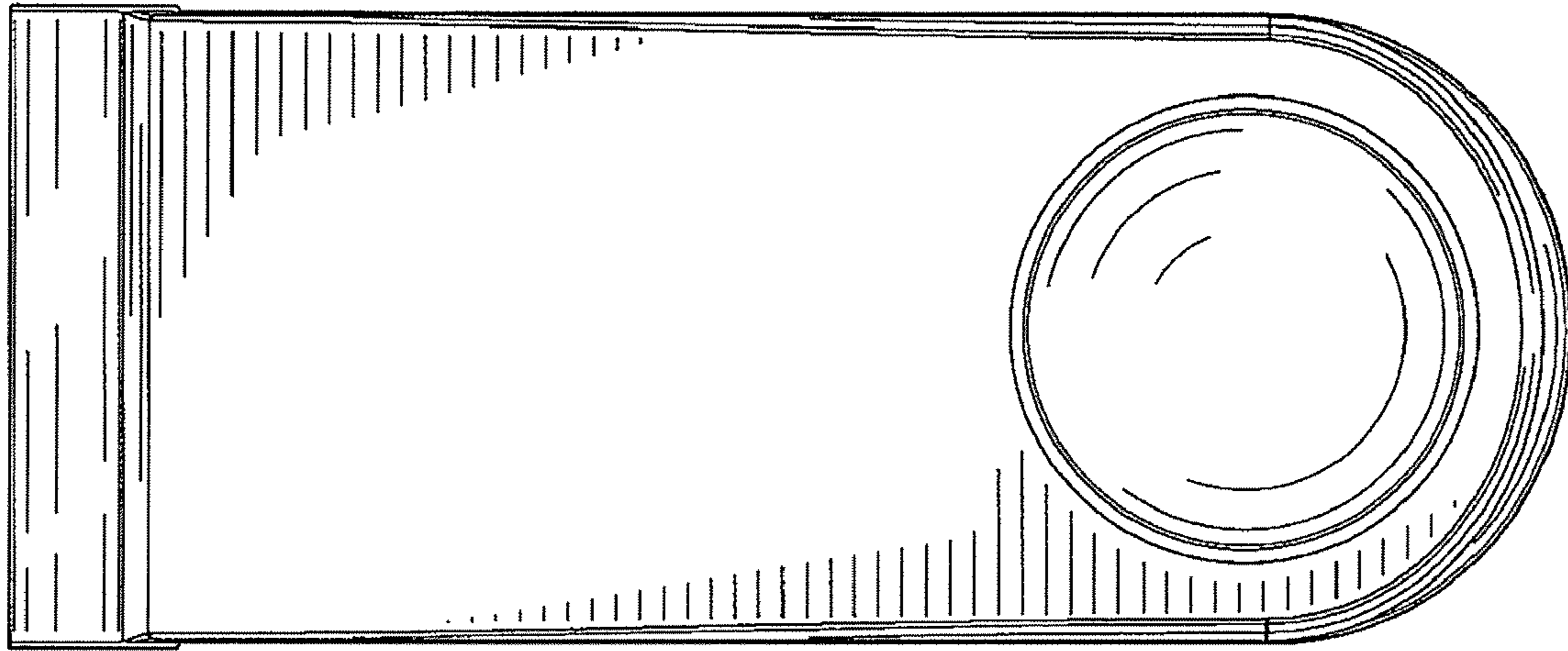


FIG.1

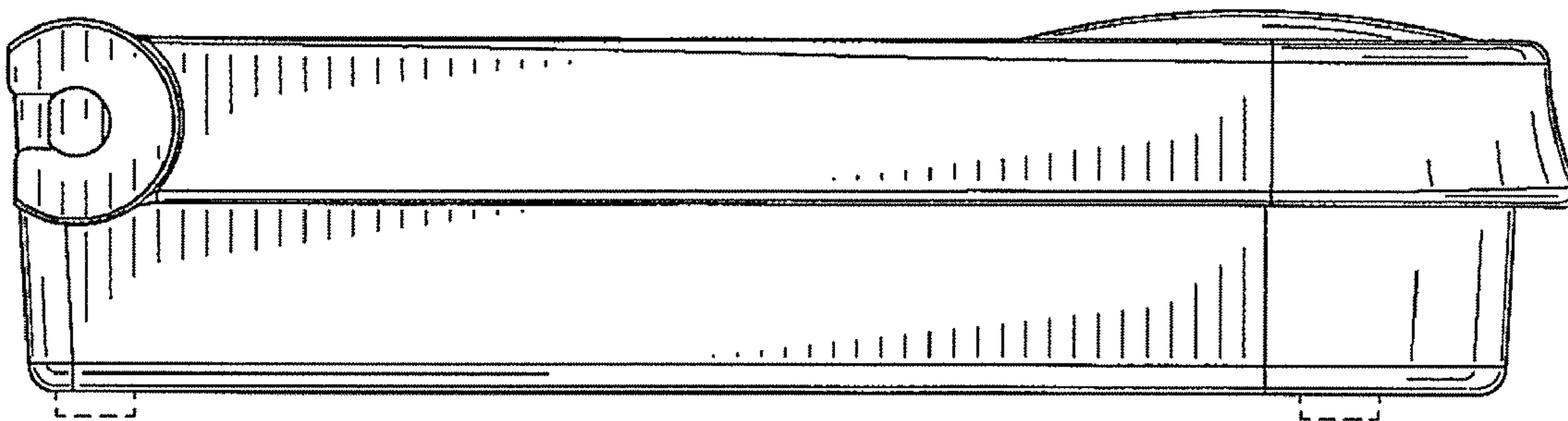


FIG.2

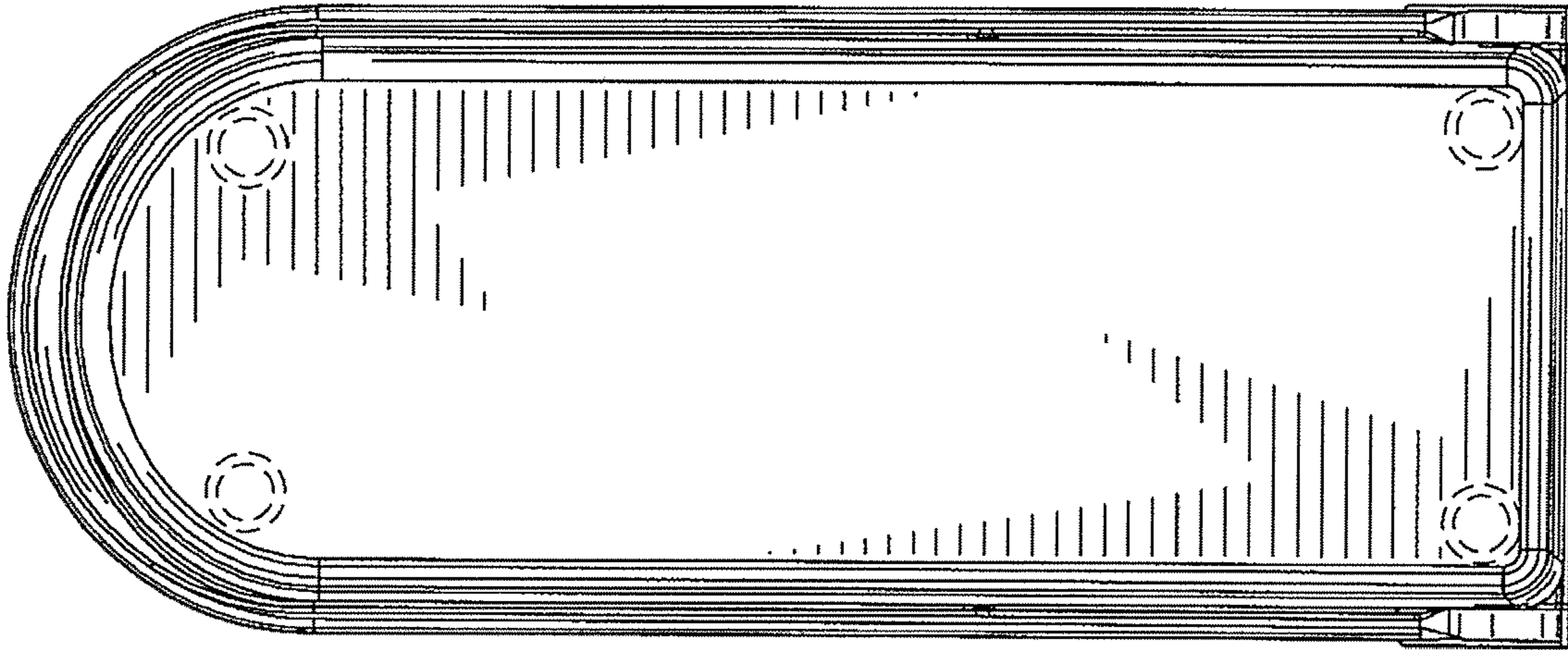


FIG. 3

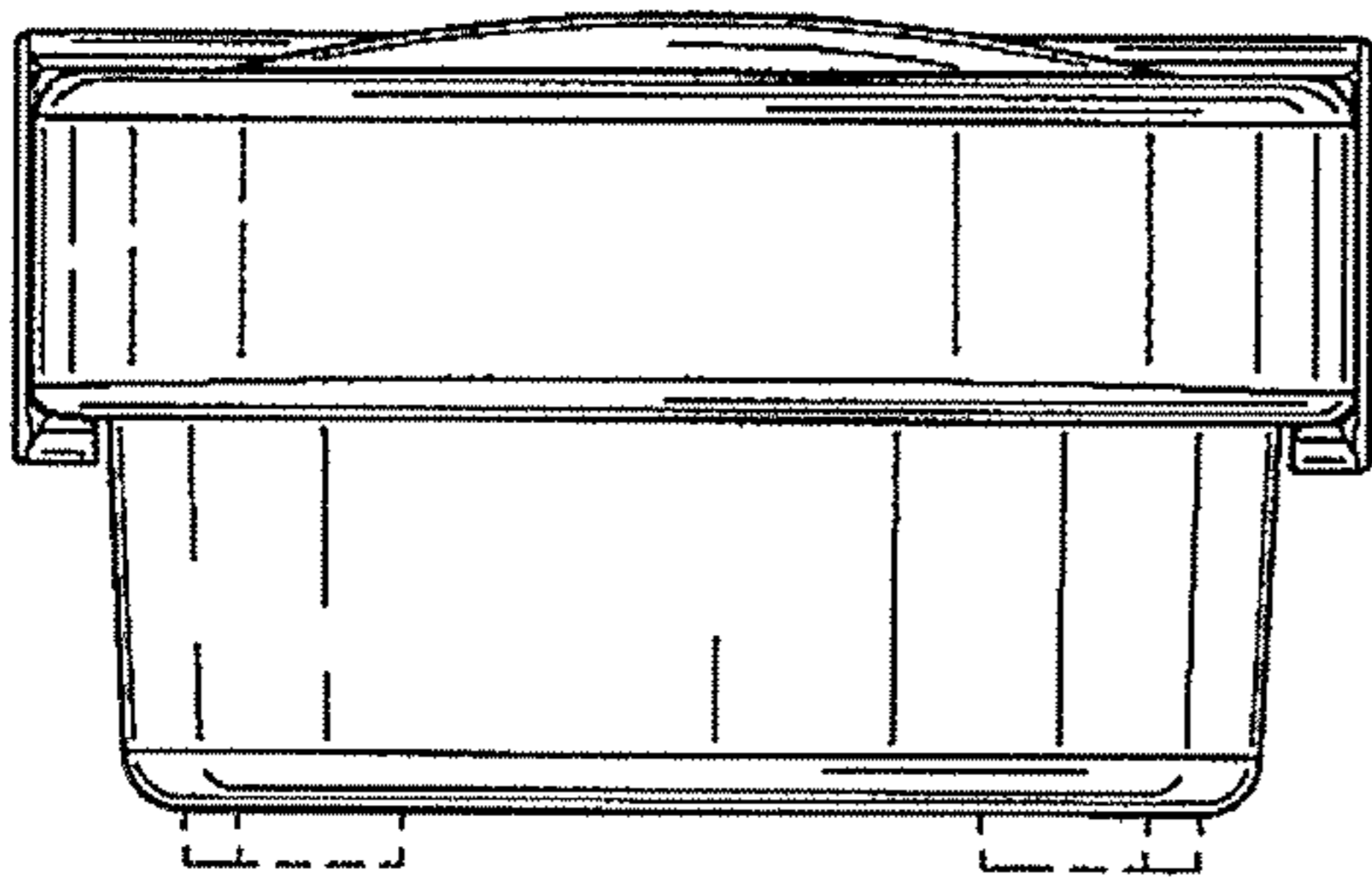


FIG. 4

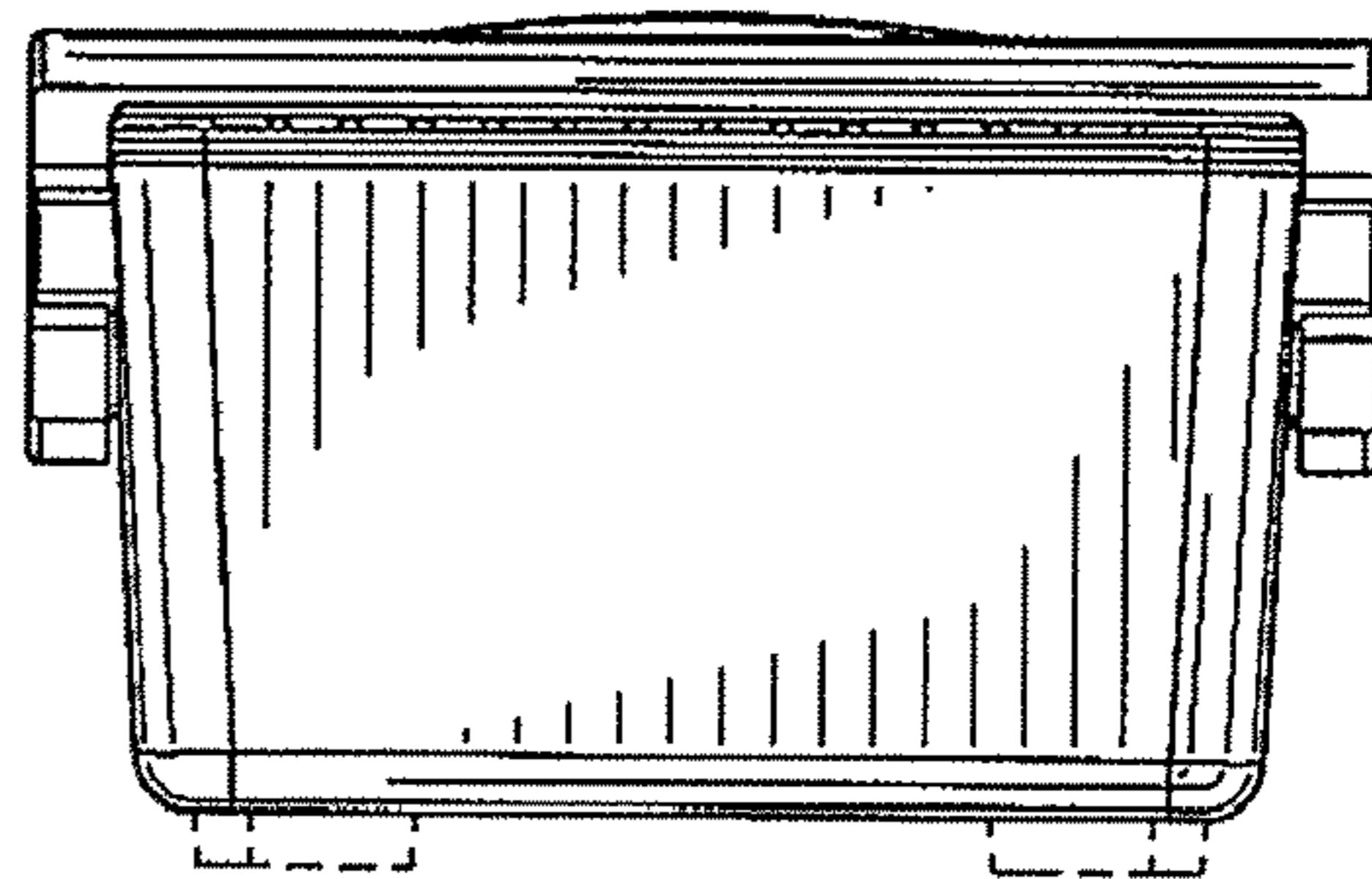


FIG. 5

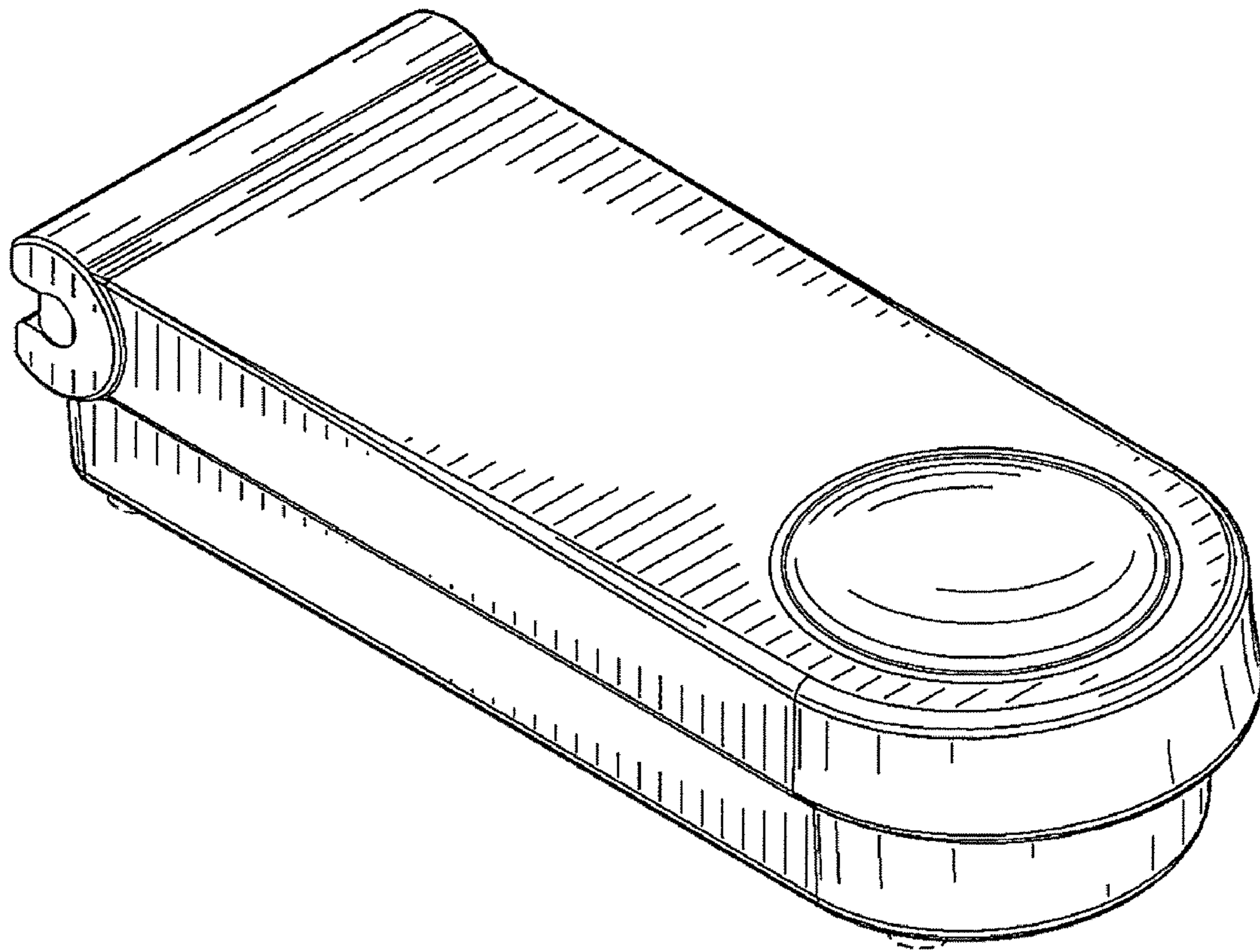


FIG.6