

US00D548022S

(12) **United States Design Patent**  
**Kaposi**

(10) **Patent No.:** **US D548,022 S**

(45) **Date of Patent:** **\*\* Aug. 7, 2007**

- (54) **FOOD CHOPPER BLADE TRAY**
- (75) Inventor: **Sascha Kaposi**, Tacoma, WA (US)
- (73) Assignee: **Progressive International Corp.**, Kent, WA (US)
- (\*\*) Term: **14 Years**
- (21) Appl. No.: **29/277,334**
- (22) Filed: **Feb. 21, 2007**

2,720,234 A *	10/1955	Fett .....	234/273.1
3,077,213 A	2/1963	Germano	
3,601,249 A	8/1971	Larsson	
3,997,072 A	12/1976	Guth	
4,095,339 A	6/1978	Turner	
4,212,431 A	7/1980	Doyel	
4,457,070 A	7/1984	Reeves	
4,557,053 A	12/1985	Hadley, Jr.	
4,574,479 A	3/1986	Gramann	

(Continued)

**FOREIGN PATENT DOCUMENTS**

WO 02064331 8/2002

*Primary Examiner*—Terry A. Wallace

(74) *Attorney, Agent, or Firm*—Black Lowe & Graham, PLLC

- Related U.S. Application Data**
- (63) Continuation of application No. 11/670,255, filed on Feb. 1, 2007, which is a continuation of application No. 11/033,944, filed on Jan. 11, 2005, now Pat. No. 7,191,691.
  - (51) **LOC (8) Cl.** ..... **07-04**
  - (52) **U.S. Cl.** ..... **D7/673**
  - (58) **Field of Classification Search** ..... D7/672, D7/673, 677, 678, 693, 695, 381; 30/124, 30/299; 241/93, 95, 168, 169, 101.1, 101.2, 241/84.3, 273.1–273.4; 83/437.5, 932, 437.7, 83/856, 564, 597, 699.51, 699.61, 466.1  
See application file for complete search history.

(57) **CLAIM**

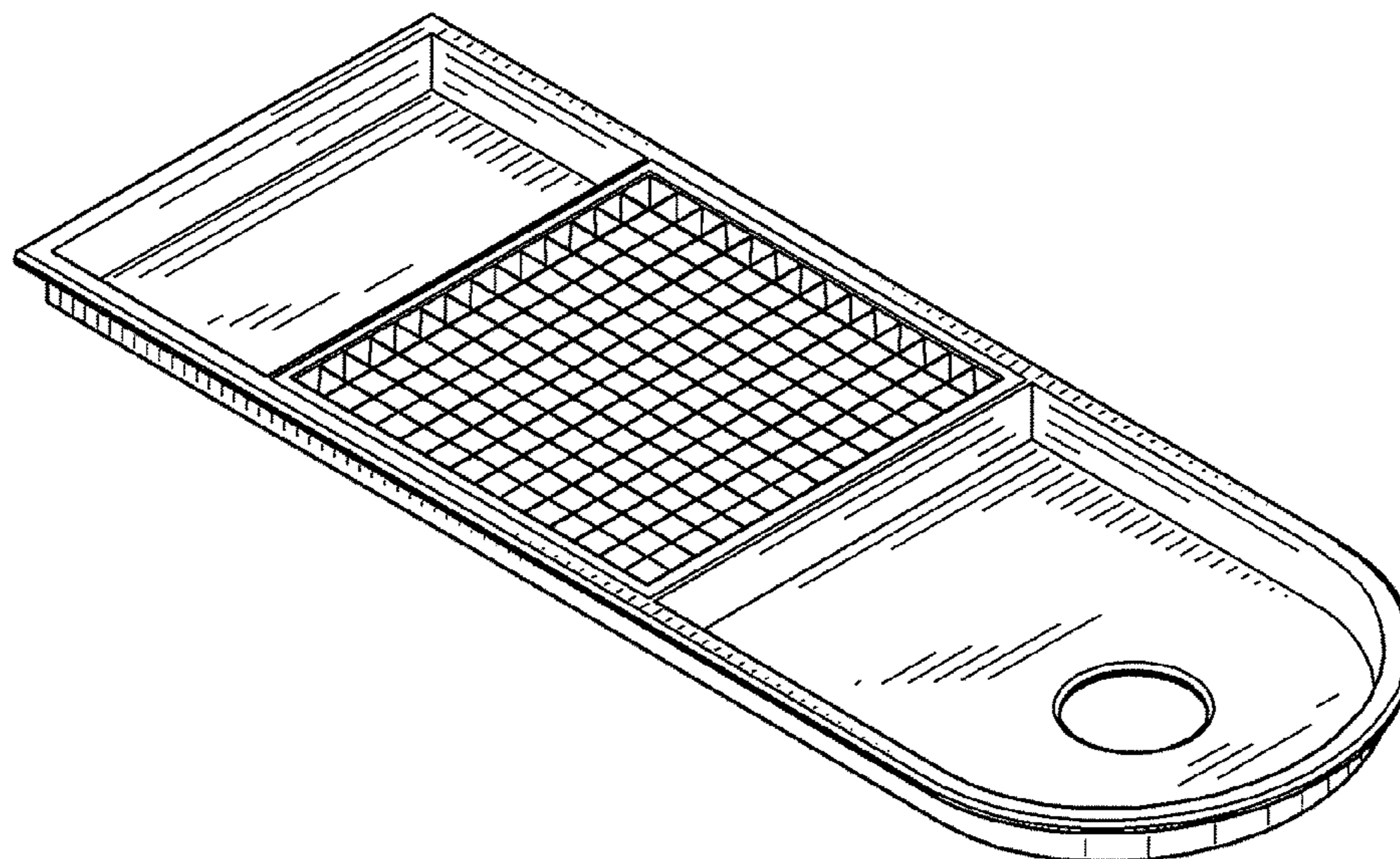
I claim the ornamental design for the food chopper blade tray, as shown and described.

**DESCRIPTION**

FIG. 1 is a top view of the food chopper blade tray;  
 FIG. 2 is a left side view of the food chopper blade tray, the right side view being a mirror image;  
 FIG. 3 is a bottom view of the food chopper blade tray;  
 FIG. 4 is a front view of the food chopper blade tray;  
 FIG. 5 is a back view of the food chopper blade tray;  
 FIG. 6 is a perspective view of the food chopper blade tray; and,  
 FIG. 7 is a perspective view of the food chopper blade tray shown secured within a representative chopping device. The broken lines are for illustrative purposes only and form no part of the design.

- (56) **References Cited**
- U.S. PATENT DOCUMENTS**
- |             |         |               |
|-------------|---------|---------------|
| 113,023 A   | 3/1871  | Crawford      |
| 751,433 A   | 2/1904  | Kennedy       |
| 809,952 A   | 1/1906  | Hoffa         |
| 928,019 A   | 7/1909  | Bartow        |
| 1,504,501 A | 8/1924  | Pope          |
| 1,674,475 A | 6/1928  | Loomis        |
| 2,030,975 A | 2/1936  | Fairchild     |
| 2,309,814 A | 2/1943  | Youngberg     |
| 2,485,877 A | 10/1949 | Hamilton, Jr. |

**1 Claim, 4 Drawing Sheets**



# US D548,022 S

Page 2

---

## U.S. PATENT DOCUMENTS

4,670,987	A	6/1987	Casey, Jr.				
4,759,148	A	7/1988	Love				
D307,532	S *	5/1990	Cautereels et al. ....	D7/673			
4,924,575	A	5/1990	James				
5,303,472	A *	4/1994	Mbanugo .....	30/124			
5,499,578	A	3/1996	Payne				
5,516,038	A	5/1996	Zaccarini				
5,562,533	A	10/1996	Gallagher				
5,692,424	A *	12/1997	Wallace .....	83/167			
5,704,485	A *	1/1998	Cautereels et al. ....	206/546			
5,937,525	A	8/1999	Chan				
5,967,875	A	10/1999	Graef				
D447,019	S *	8/2001	Wong .....	D7/673			
6,293,445	B1	9/2001	Miller				
6,336,552	B1	1/2002	Meier				
6,558,244	B1	5/2003	Nedelka				
D485,328	S	1/2004	Jastrzembski				
6,726,266	B2	4/2004	May				
6,805,032	B2	10/2004	Engdahl				
D499,615	S	12/2004	Nordgren				
2002/0003144	A1	1/2002	Grimes				
2003/0051345	A1	3/2003	Yeung Louie et al.				
2004/0055437	A1	3/2004	Engdahl				

\* cited by examiner

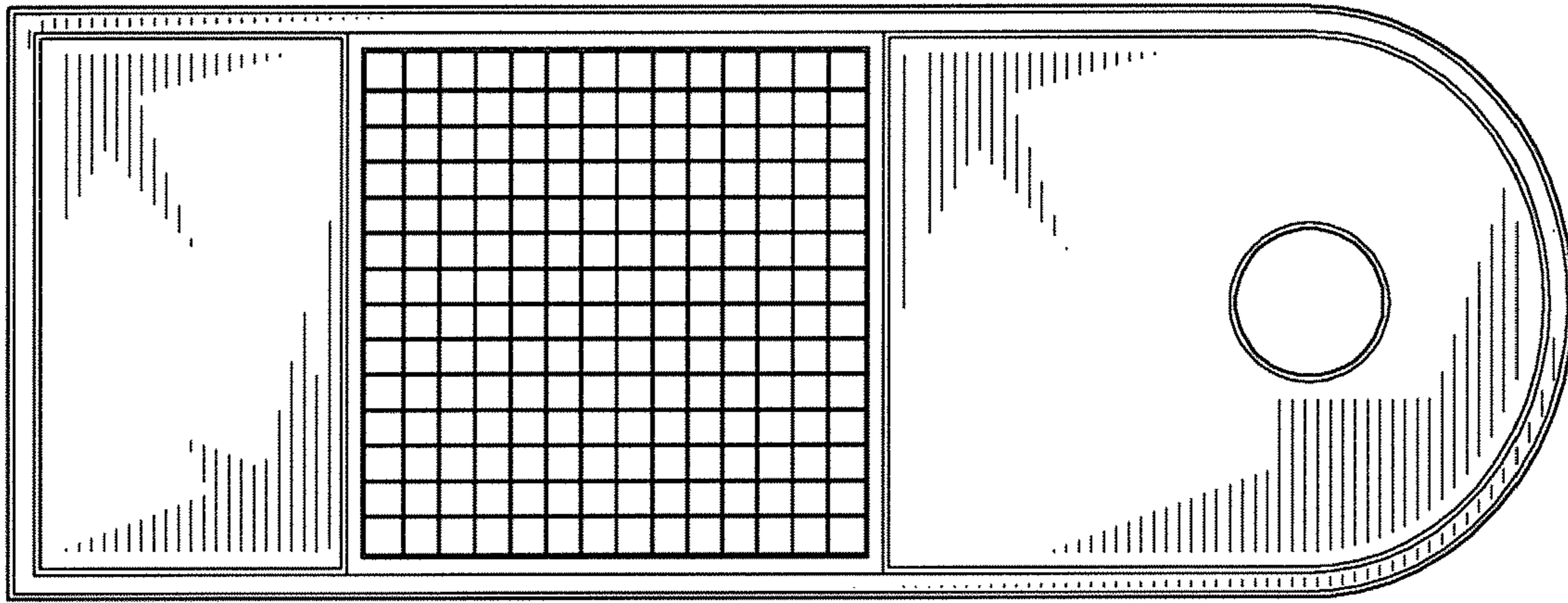


FIG.1



FIG.2

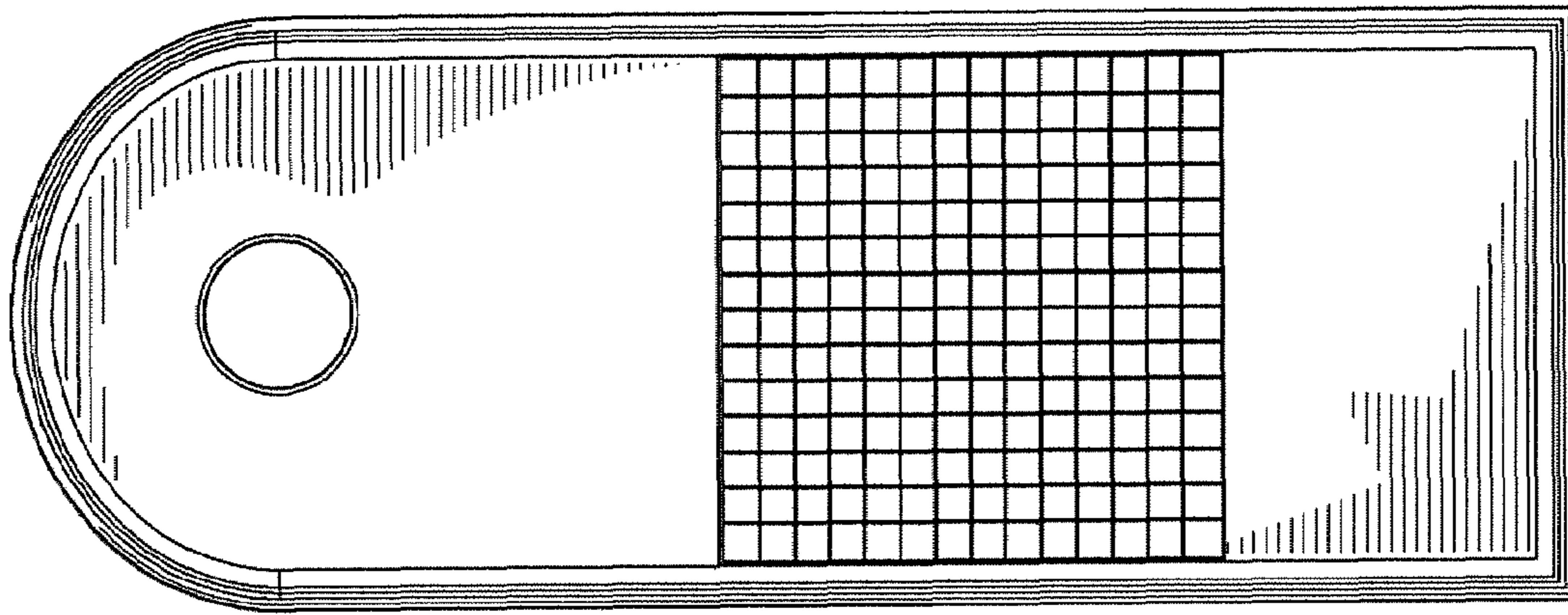


FIG.3

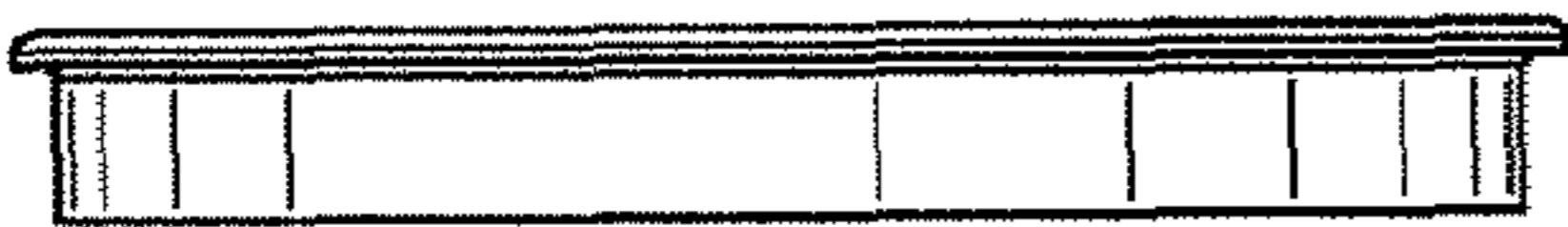


FIG.4

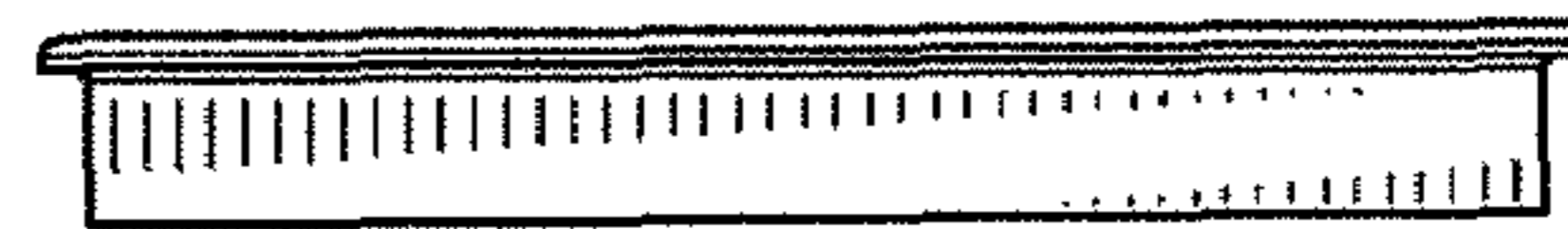


FIG.5



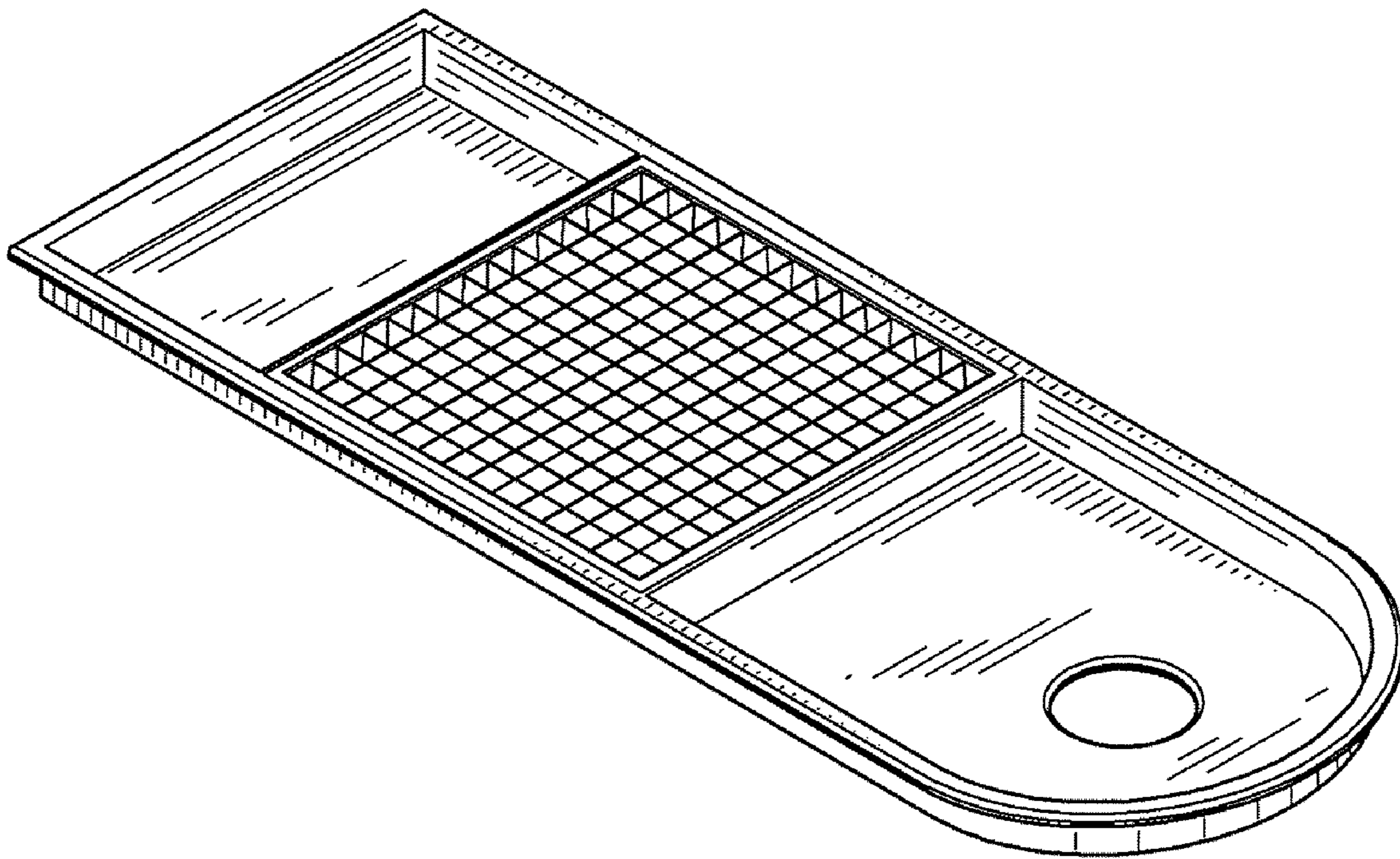


FIG.6

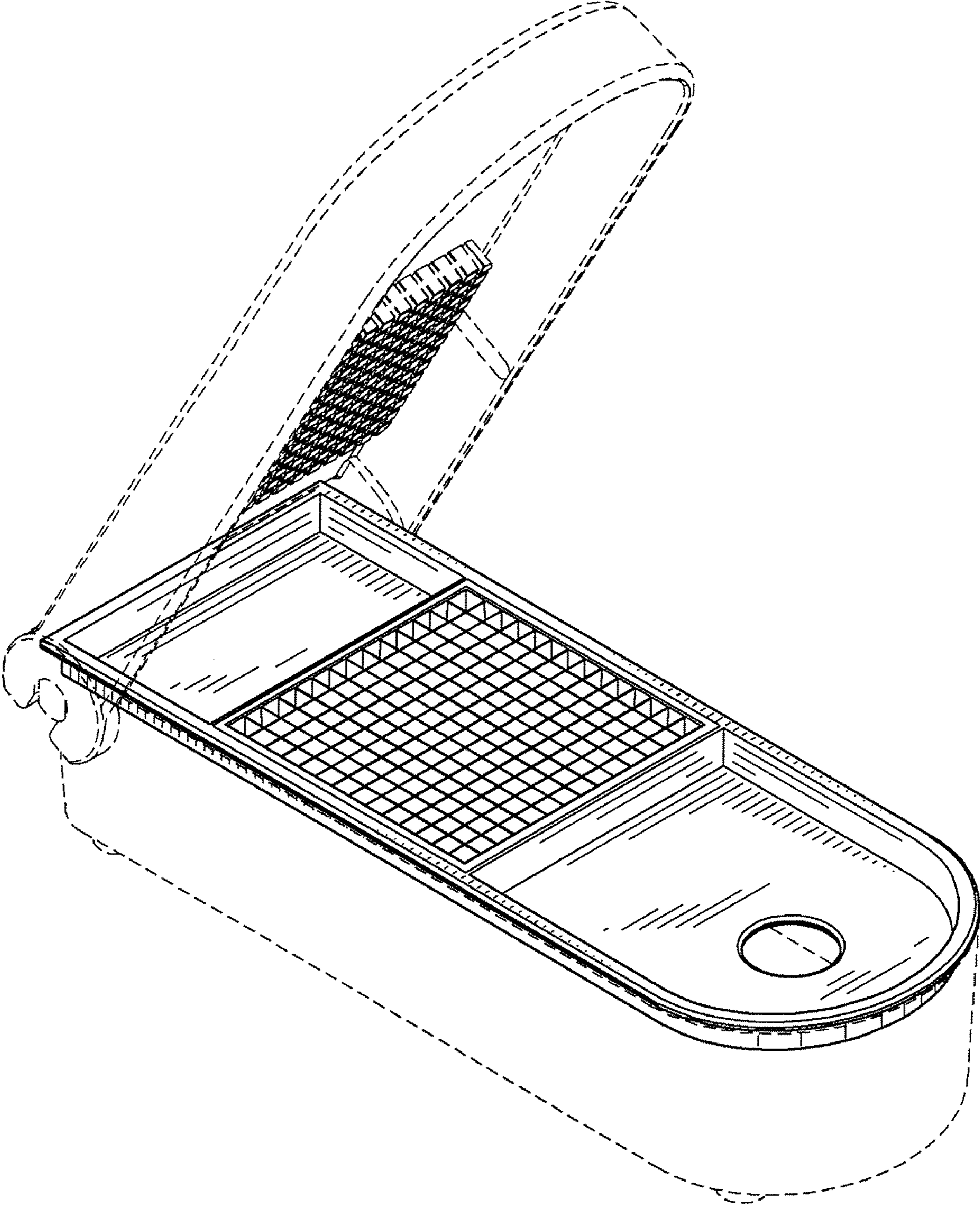


FIG. 7