

US00D548019S

(12) **United States Design Patent**
Lai

(10) **Patent No.:** **US D548,019 S**

(45) **Date of Patent:** **** Aug. 7, 2007**

(54) **CHOPSTICK**

(76) Inventor: **Yin-Chu Lai**, 378 Pao Bou Rd.,
Changhua (TW)

(**) Term: **14 Years**

(21) Appl. No.: **29/241,237**

(22) Filed: **Oct. 26, 2005**

(51) **LOC (8) Cl.** **07-03**

(52) **U.S. Cl.** **D7/642**

(58) **Field of Classification Search** D7/393,
D7/401.2, 642-645, 653-668, 683-687;
30/147-150, 322-328; 34/240; 294/1.1,
294/11, 16, 33, 58, 99.1, 99.2, 100, 106, 118,
294/119

See application file for complete search history.

(56) **References Cited**

U.S. PATENT DOCUMENTS

2,711,339	A *	6/1955	McGogy	294/99.2
3,125,038	A *	3/1964	Amato	34/240
3,186,749	A *	6/1965	Dawes	294/99.2
3,637,248	A *	1/1972	Arita	294/99.2
D283,192	S *	4/1986	Kono	D7/642
5,056,841	A *	10/1991	Yong	294/1.1
5,486,029	A *	1/1996	Kobayashi	294/99.2

5,911,462	A *	6/1999	Hui	294/99.2
D433,883	S *	11/2000	Wei	D7/642
6,328,360	B1 *	12/2001	Freeman	294/1.1
6,607,225	B1 *	8/2003	Lai	294/1.1
7,093,868	B1 *	8/2006	Shen	294/1.1
2002/0096896	A1 *	7/2002	Lai	294/58

* cited by examiner

Primary Examiner—Cathron C. Brooks

Assistant Examiner—Ricky Pham

(74) *Attorney, Agent, or Firm*—Troxell Law Office, PLLC

(57) **CLAIM**

The ornamental design for chopstick, as shown and described.

DESCRIPTION

FIG. 1 is a perspective view of the chopstick showing the new design;

FIG. 2 is a front view of the new design;

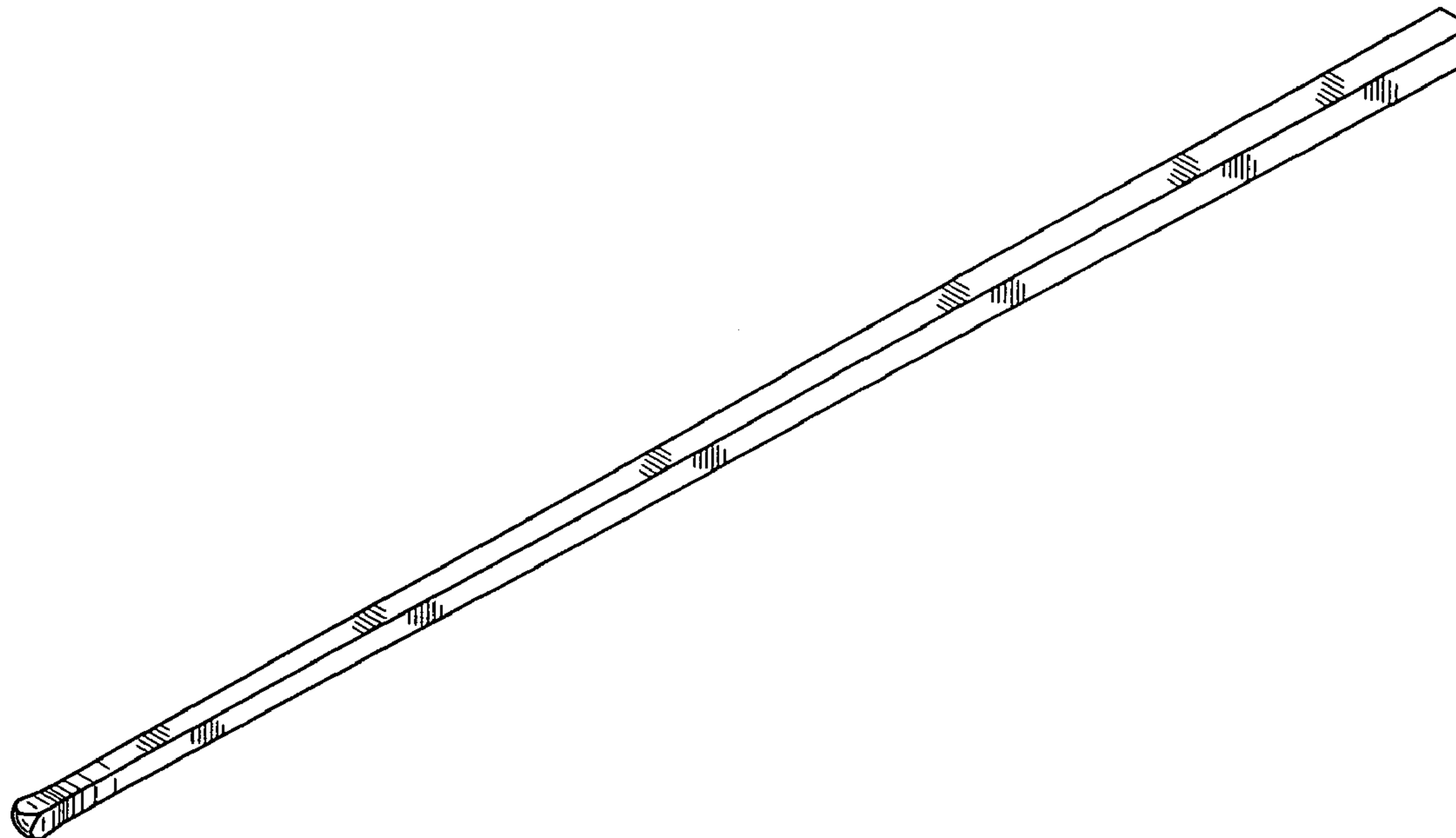
FIG. 3 is a left view of the new design;

FIG. 4 is a top view of the new design;

FIG. 5 is a bottom view of the new design; and,

FIG. 6 is an enlarged partial view of the tip of the design.

1 Claim, 3 Drawing Sheets



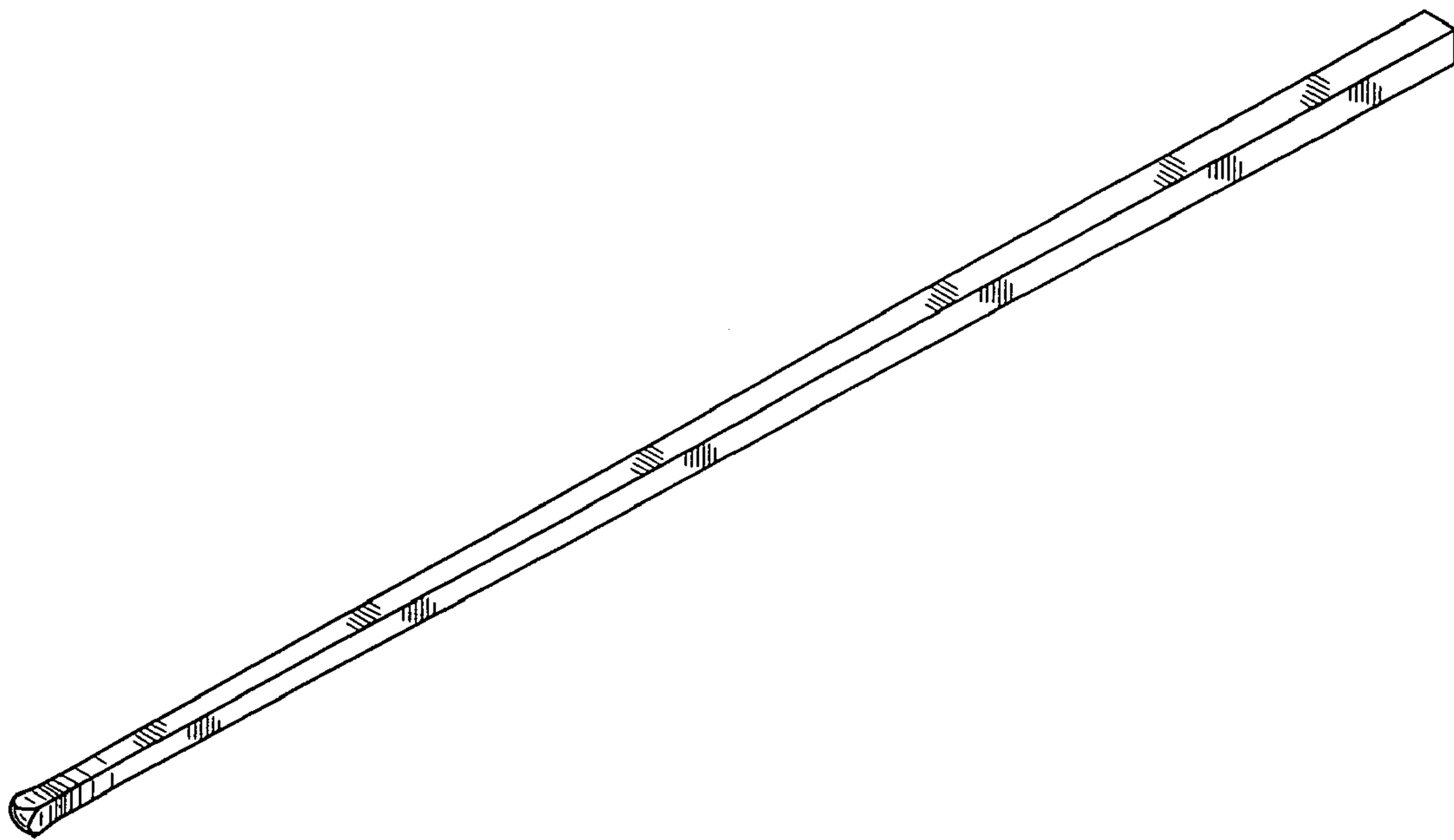


Fig. 1



Fig. 2



Fig. 3



Fig. 4



Fig. 5

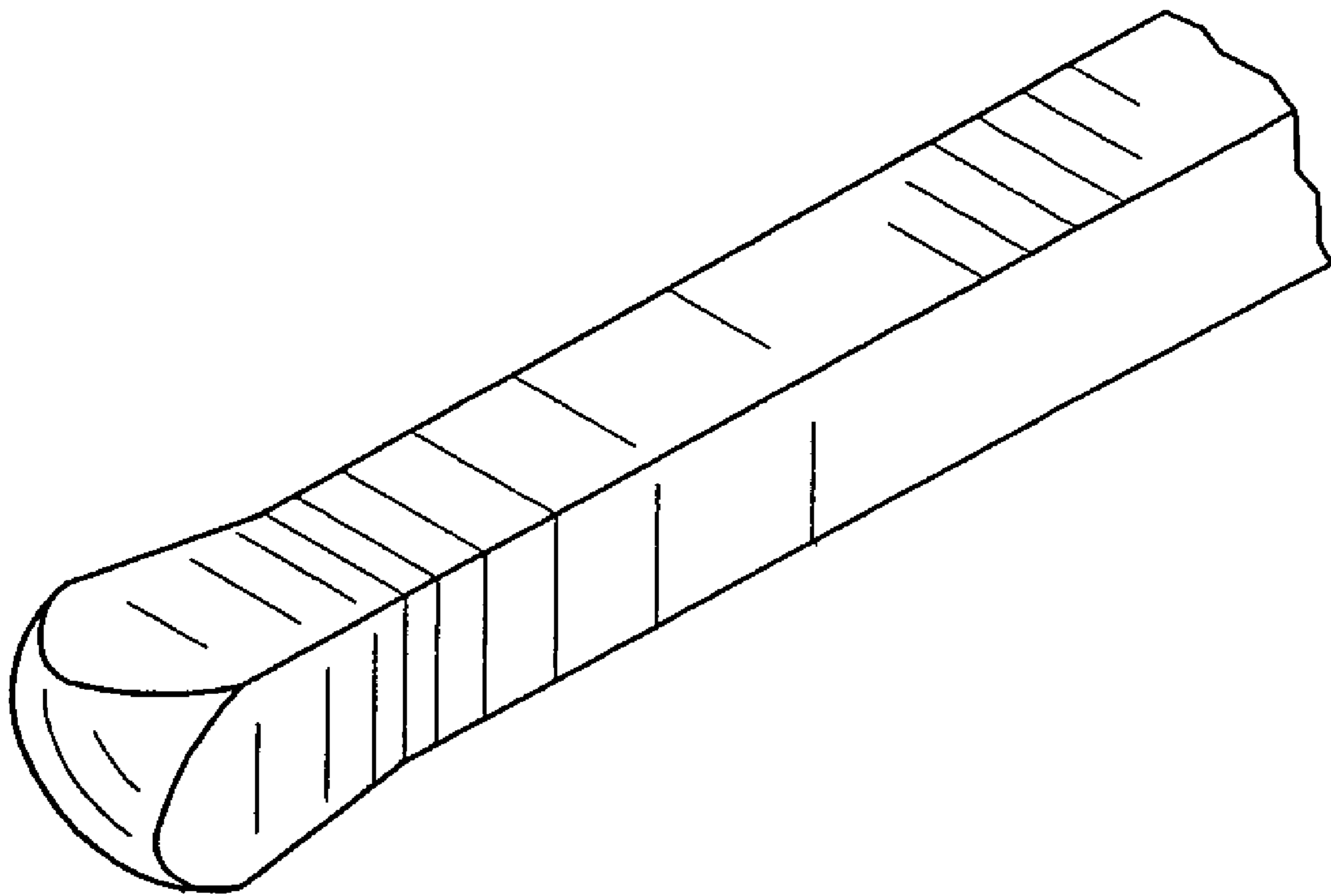


Fig. 6