

US00D548018S

(12) **United States Design Patent**
Ablo

(10) **Patent No.:** **US D548,018 S**

(45) **Date of Patent:** **** Aug. 7, 2007**

(54) **COMBINED SPOON AND COVER REST**

D494,421 S 8/2004 Nanninga
D511,944 S 11/2005 Kaposi
2003/0205645 A1 11/2003 Kaposi

(75) Inventor: **Famia E. Ablo**, Orlando, FL (US)

(73) Assignee: **Dart Industries Inc.**, Orlando, FL (US)

(**) Term: **14 Years**

(21) Appl. No.: **29/256,741**

(22) Filed: **Mar. 24, 2006**

(51) **LOC (8) Cl.** **07-06**

(52) **U.S. Cl.** **D7/638**

(58) **Field of Classification Search** D7/637-641,
D7/601; 211/60.1, 70.6, 70.7, 74, 13.1, 41.11,
211/41.2; 248/37.3, 37.6, 311.2, 309, 126,
248/176.2

See application file for complete search history.

(56) **References Cited**

U.S. PATENT DOCUMENTS

D44,485 S *	8/1913	McNair	D7/637
D48,039 S *	10/1915	Niper	D7/641
D162,127 S	2/1951	Chicorel		
D177,478 S *	4/1956	Marchion	D7/641
4,333,623 A *	6/1982	May	248/176.2
5,127,616 A	7/1992	Carney		
6,505,746 B1 *	1/2003	Johnson	211/70.7

OTHER PUBLICATIONS

Graysun Designs; HotLid and Spoon Holder; © 2003.

* cited by examiner

Primary Examiner—Terry A. Wallace

(74) *Attorney, Agent, or Firm*—John A. Doninger

(57) **CLAIM**

The ornamental design for a combined spoon and cover rest, as shown and described.

DESCRIPTION

FIG. 1 is a top, right side and front perspective view of a combined spoon and cover rest showing the new design;

FIG. 2 is a front elevation thereof, the rear elevation being a mirror image thereof;

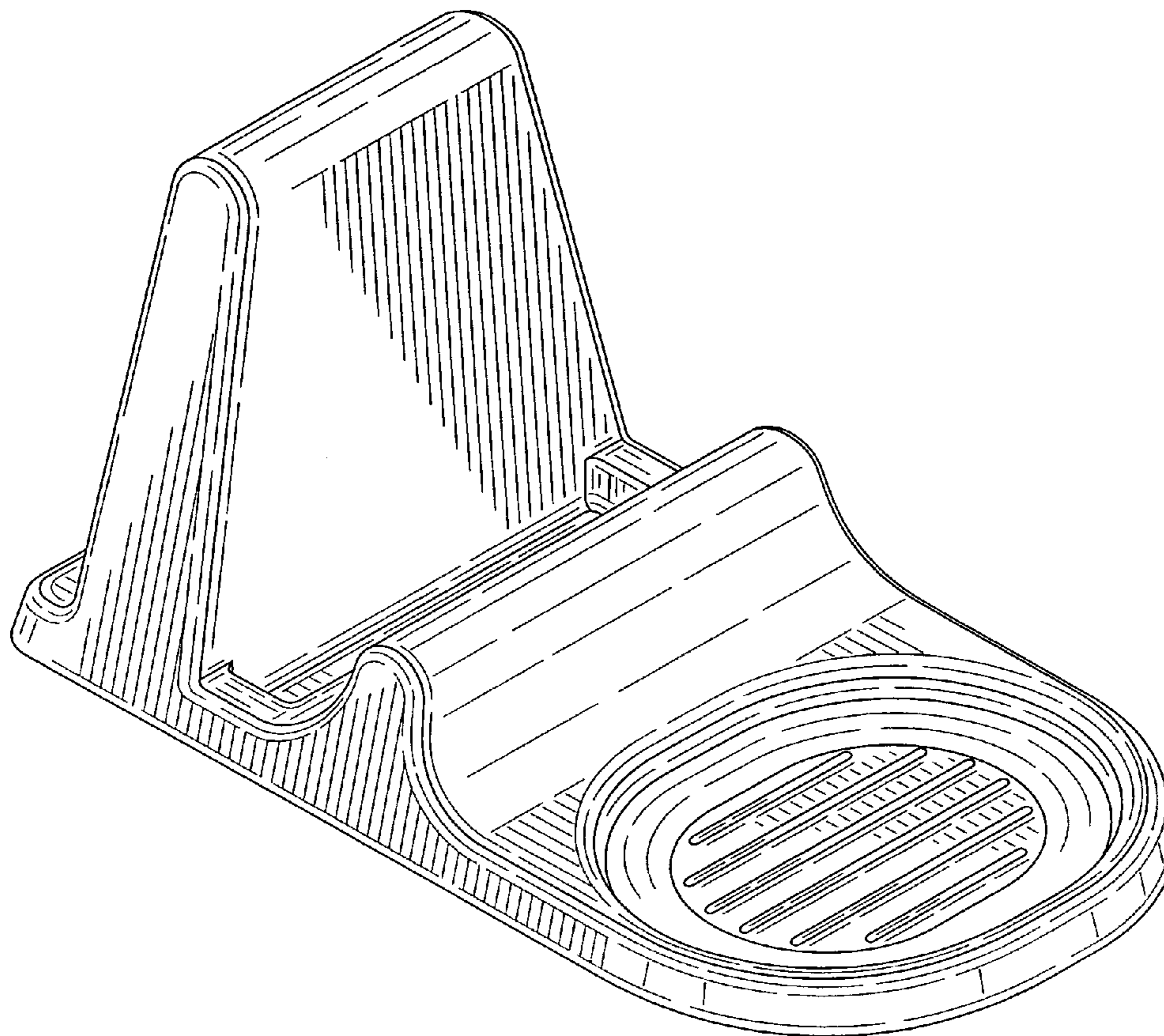
FIG. 3 is a right side elevation view thereof;

FIG. 4 is a left side elevation view thereof;

FIG. 5 is a top plan view thereof; and,

FIG. 6 is a bottom plan view thereof.

1 Claim, 3 Drawing Sheets



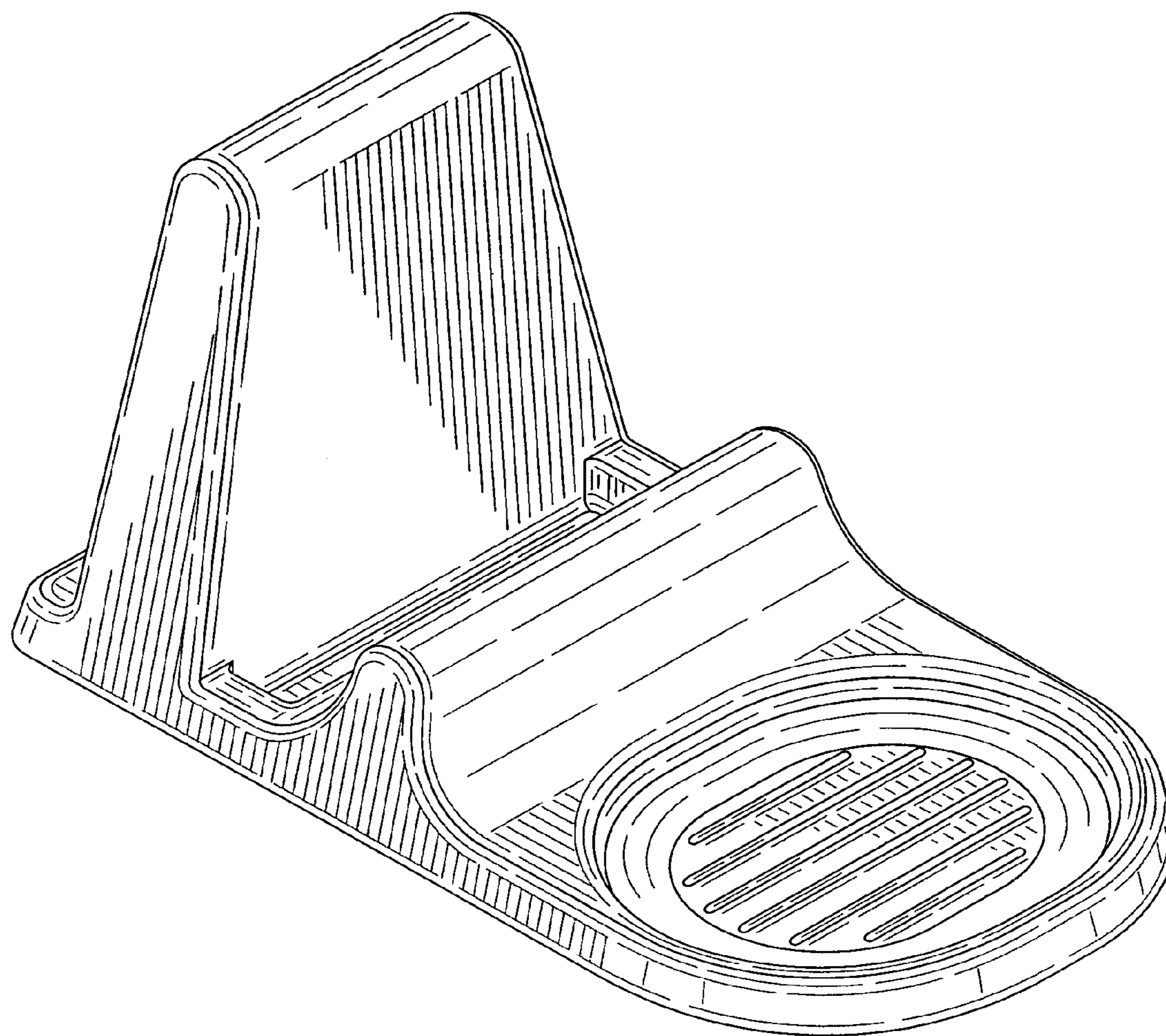


FIG. 1

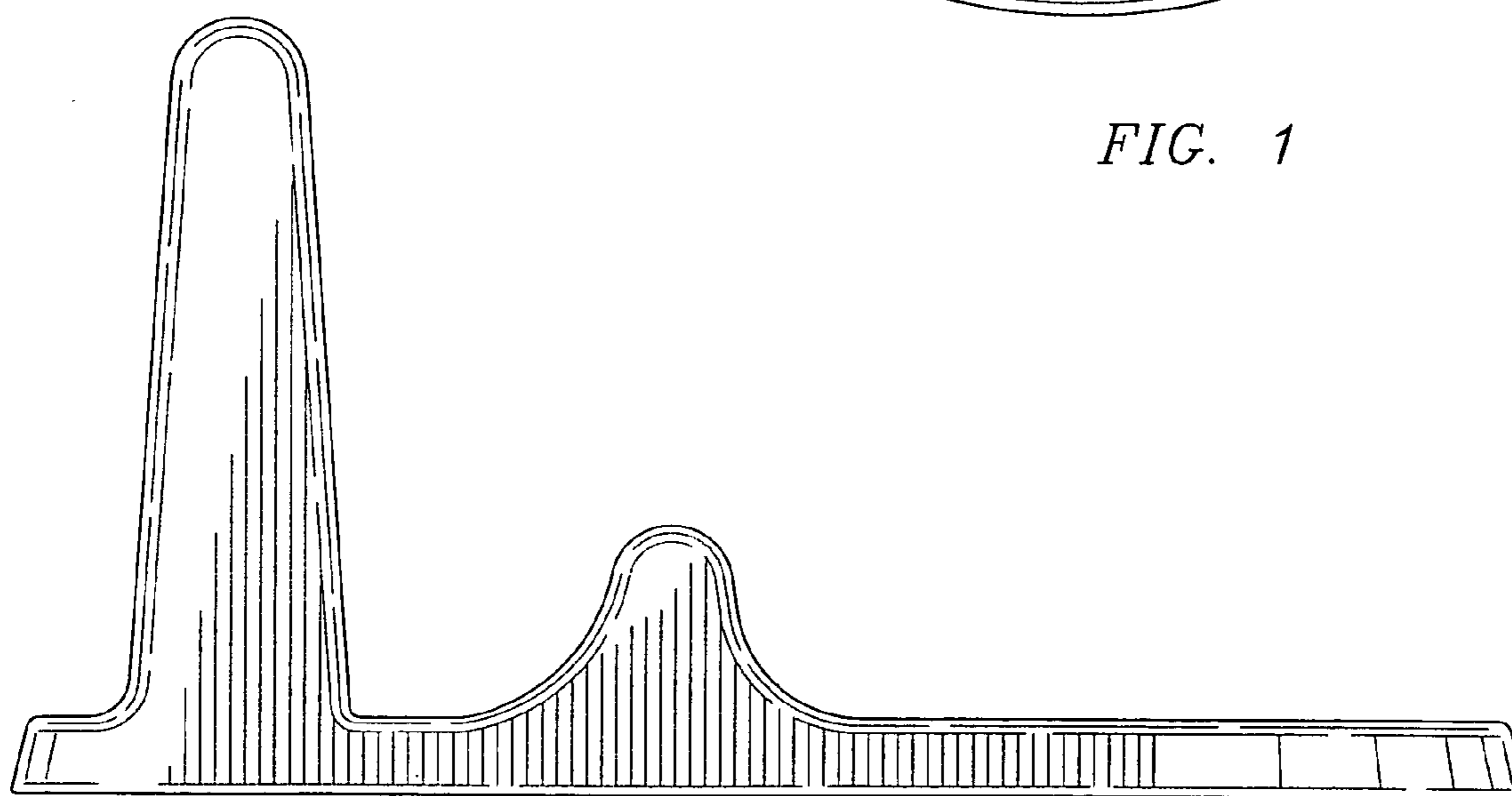


FIG. 2

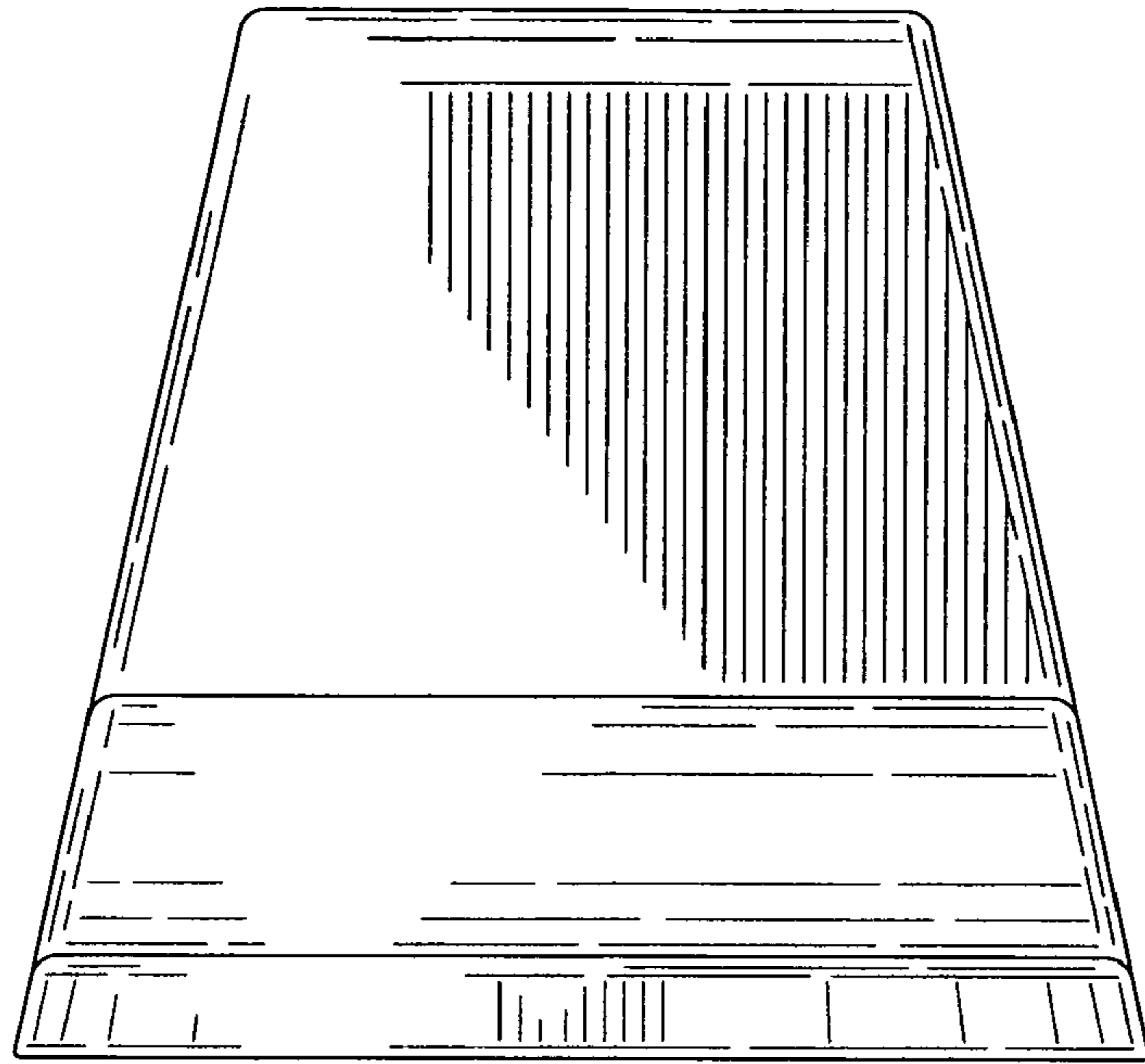


FIG. 3

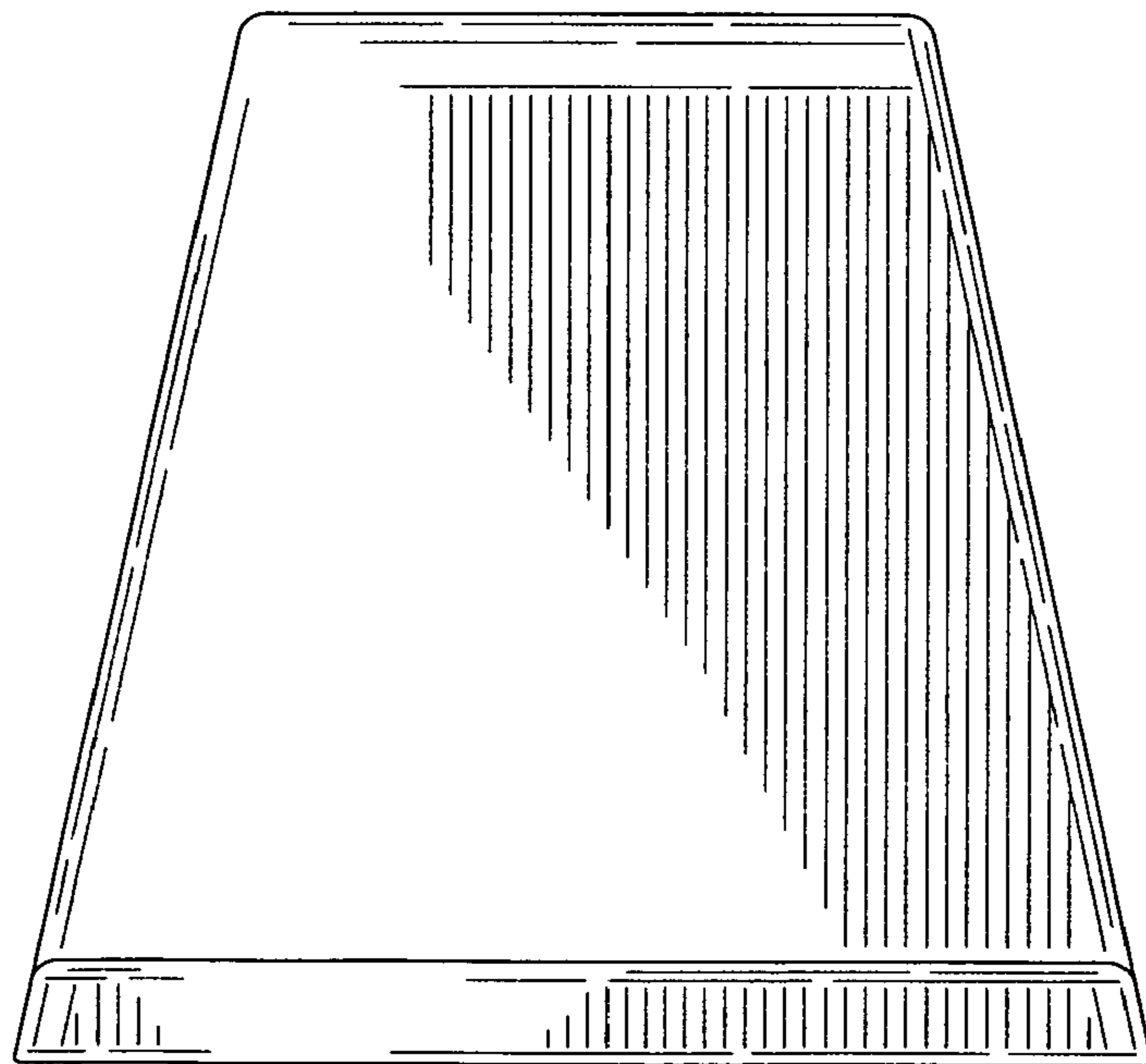


FIG. 4

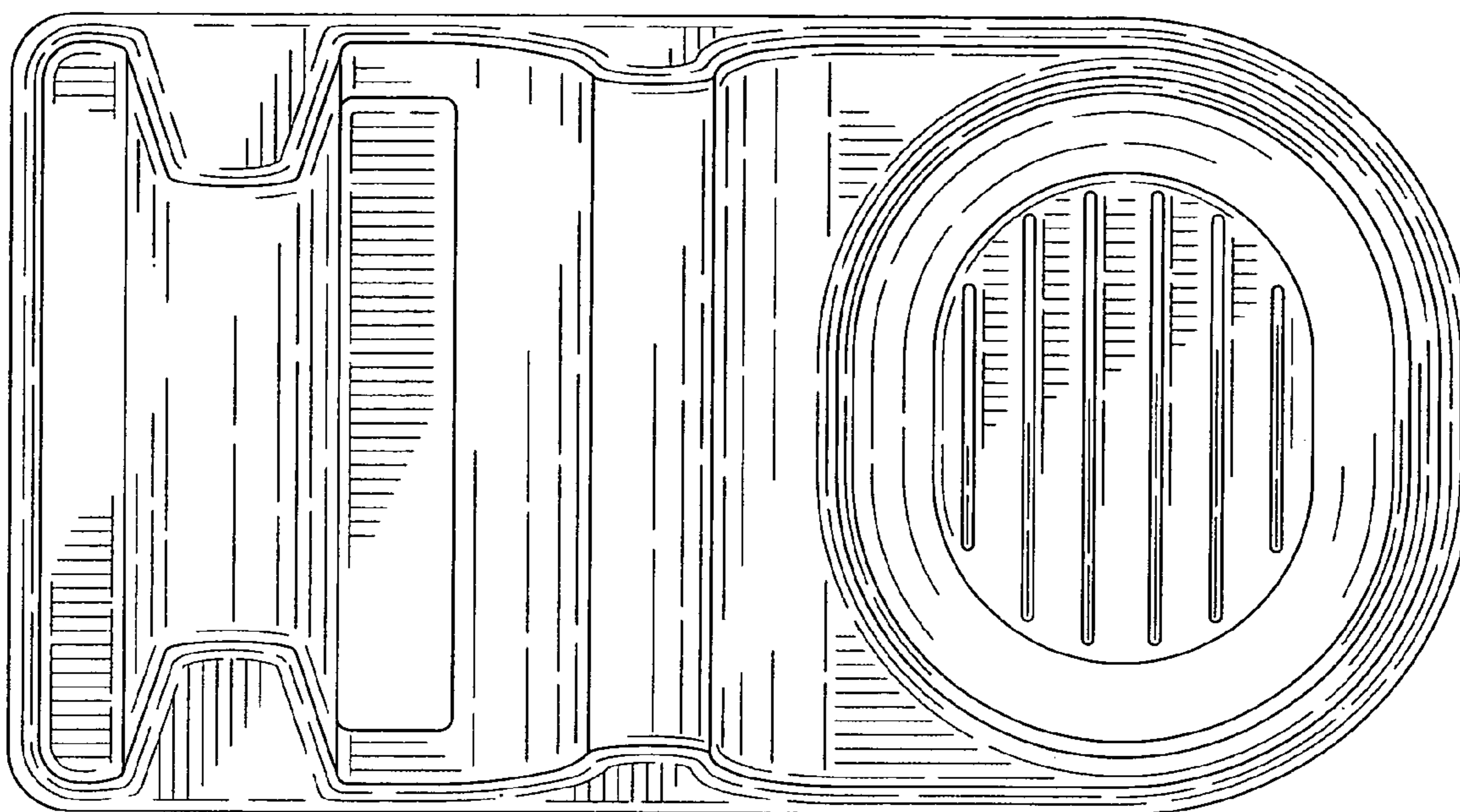


FIG. 5

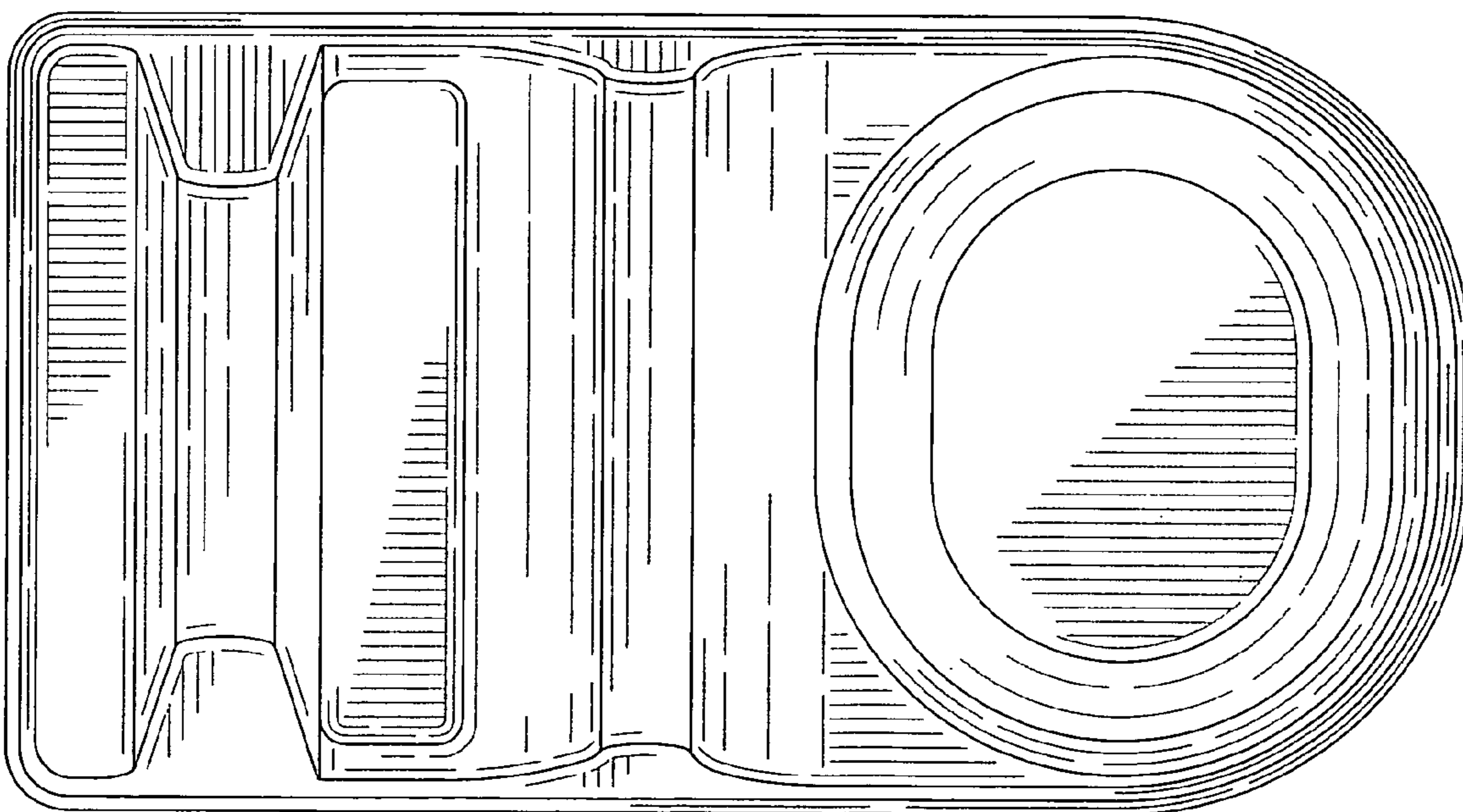


FIG. 6