



US00D548017S

(12) **United States Design Patent** (10) **Patent No.:** **US D548,017 S**  
**Chiang et al.** (45) **Date of Patent:** **\*\* Aug. 7, 2007**

(54) **PORTIONS OF A FRUIT RIPENING CONTAINER**

4,842,875 A 6/1989 Anderson  
4,886,372 A 12/1989 Greengrass et al.

(Continued)

(75) Inventors: **Chia C. Chiang**, 418 N. La Jolla, Los Angeles, CA (US) 90048; **Blake McEldowney**, New York, NY (US); **Max Burton**, Portland, OR (US); **Brent D. Sokol**, 418 N. La Jolla, Los Angeles, CA (US) 90048

FOREIGN PATENT DOCUMENTS

CA 2113230 2/1999

(Continued)

(73) Assignees: **Chia C. Chiang**, Los Angeles, CA (US); **Brent D. Sokol**, Los Angeles, CA (US)

OTHER PUBLICATIONS

Crisosto, Carlos, "Optimum Procedures for Ripening Stone Fruit," Perishables handling Newsletter, Nov. 1994, all pages, Issue No. 80, U.S.A.

(\*\*) Term: **14 Years**

(Continued)

(21) Appl. No.: **29/224,068**

*Primary Examiner*—Terry A. Wallace  
(74) *Attorney, Agent, or Firm*—Brent D. Sokol, Esq.

(22) Filed: **Feb. 23, 2005**

(57) **CLAIM**

(51) **LOC (8) Cl.** ..... **07-01**  
(52) **U.S. Cl.** ..... **D7/629**  
(58) **Field of Classification Search** ..... D7/538–542,  
D7/602, 629, 368, 669, 412, 391–392.1;  
D9/424–429; 62/457.1–457.9, 371, 372;  
99/467–482; 426/118, 106  
See application file for complete search history.

The ornamental design for portions of a fruit ripening container, as shown and described.

**DESCRIPTION**

FIG. 1 is a perspective view of a portions of a fruit ripening display showing our new design;

FIG. 2 is a front view thereof;

FIG. 3 is a top plan view thereof;

FIG. 4 is a side view thereof, the opposite side being a mirror image;

FIG. 5 is a perspective view of an alternate embodiment of FIG. 1;

FIG. 6 is a front view of FIG. 5;

FIG. 7 is a top plan view of FIG. 5; and,

FIG. 8 is a side view of FIG. 5, the opposite side being a mirror image.

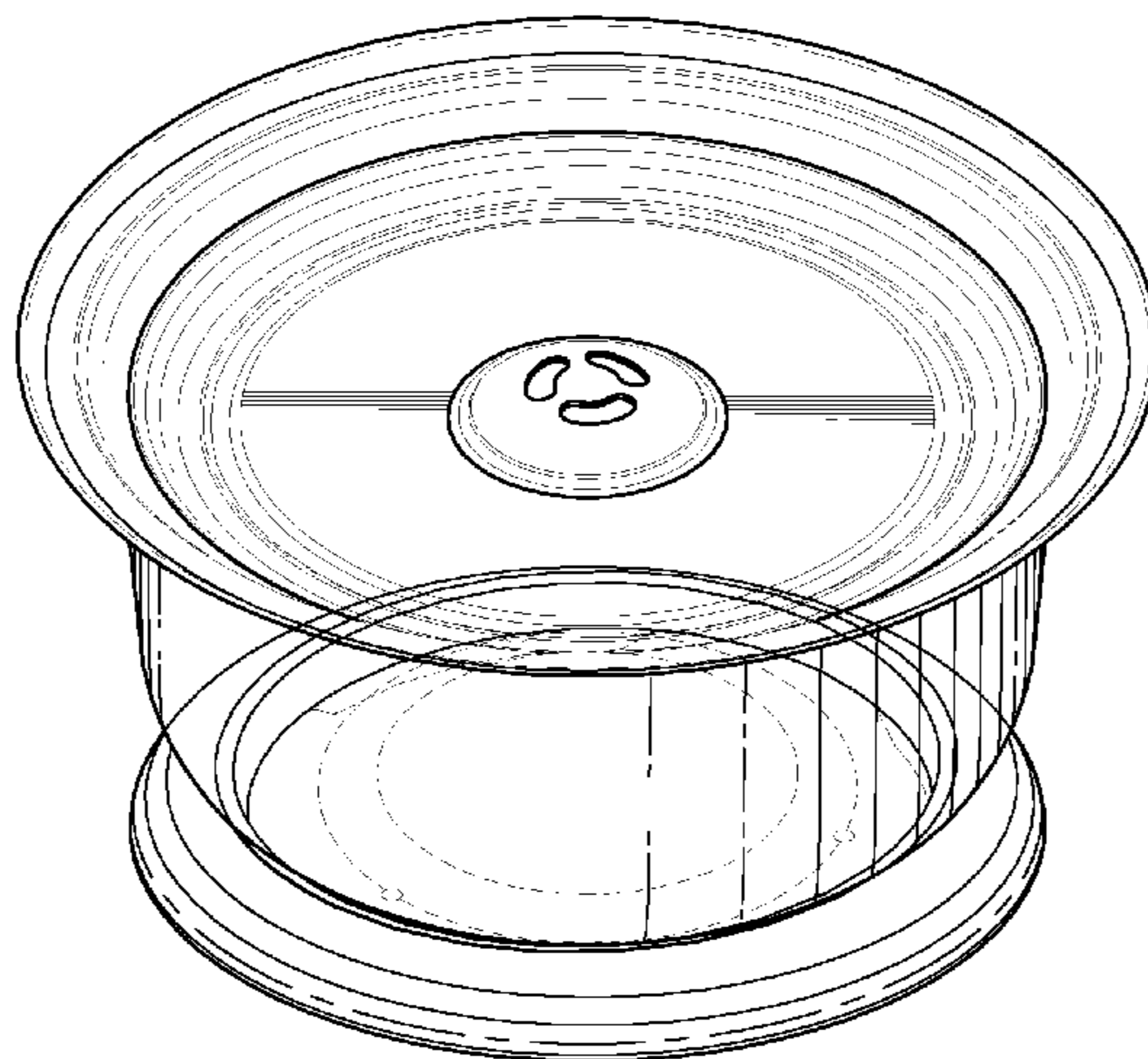
The broken lines are for illustrative purposes only and form no part of the claimed design.

(56) **References Cited**

U.S. PATENT DOCUMENTS

1,126,258 A	1/1915	Myers	
1,829,951 A	11/1931	Walsh	
1,985,670 A	12/1934	Sykes	
3,069,274 A	12/1962	Hyson et al.	
3,298,511 A	1/1967	Schertz	
3,480,197 A	11/1969	Massey	
3,578,464 A	5/1971	Mpelkas	
3,620,765 A	11/1971	McDonnell et al.	
3,924,010 A	12/1975	Erb	
D247,945 S *	5/1978	Saunders	..... D7/539
D252,312 S	7/1979	Ackeret	
D259,400 S	6/1981	Carroll et al.	
D273,652 S	5/1984	Lederman et al.	
D293,082 S	12/1987	Butler	

**1 Claim, 6 Drawing Sheets**



U.S. PATENT DOCUMENTS

D312,555	S	*	12/1990	Daenen et al. ....	D7/540
D315,618	S		3/1991	Baron	
D322,186	S		12/1991	Rubbico	
5,121,877	A		6/1992	Bodary et al.	
D336,596	S	*	6/1993	Osgood et al. ....	D7/608
5,254,354	A		10/1993	Stewart	
D346,552	S		5/1994	Krupa	
5,316,178	A		5/1994	Garber, Jr.	
5,345,784	A		9/1994	Bazemore et al.	
5,419,153	A		5/1995	Hartley	
5,427,808	A		6/1995	Adams	
D360,825	S		8/1995	Knoss et al.	
5,438,917	A		8/1995	Bolkestein et al.	
5,475,926	A		12/1995	Bolkestein et al.	
D379,300	S		5/1997	Krupa et al.	
D380,381	S		7/1997	Krupa et al.	
5,658,607	A		8/1997	Herdeman	
5,661,979	A		9/1997	DeBoer	
5,667,827	A		9/1997	Breen et al.	
5,711,978	A		1/1998	Breen et al.	
5,758,794	A	*	6/1998	Rider et al. ....	220/786
D396,408	S		7/1998	Carver	
D398,448	S		9/1998	Zanni	
5,829,602	A		11/1998	St. John Danko	
D411,714	S		6/1999	Wilson et al.	
5,916,614	A		6/1999	Gorlich	
6,013,293	A		1/2000	De Moor	
D442,031	S		5/2001	Perez	
D442,834	S		5/2001	Perez	
6,376,032	B1		4/2002	Clarke et al.	
6,527,121	B1		3/2003	Flynn	
D475,621	S	*	6/2003	Buchalski et al. ....	D9/428
D475,897	S	*	6/2003	Zettle et al. ....	D7/629
D476,506	S		7/2003	Sneider	
D487,698	S		3/2004	Rasmussen	
D494,062	S	*	8/2004	Willis .....	D9/428
2005/0056158	A1		3/2005	Chiang et al.	

FOREIGN PATENT DOCUMENTS

DE	2259561	A	6/1974
DE	3219079	A1	11/1983
EP	0282180	A2	9/1988
EP	0417947	A1	3/1991
EP	0162674	A2	5/1994
EP	0438210	B1	11/1995
EP	192649	A1	4/2000
ES	2008626	A6	7/1987
FR	2242872	A5	3/1975
GB	2215173	A	9/1989
GB	2223656	A	4/1990
JP	6484871	A	3/1989
JP	6485064	A	3/1989
JP	114667	A	2/1999
JP	D1068100	S	4/2000
JP	12300174	A	10/2000
TW	286124		9/1996
WO	99446715	A1	9/1999

OTHER PUBLICATIONS

Kitinoja, Lisa et al., "Ripening," UC Davis Postharvest Horticulture Series No. 8, Mar. 1995, entire document and last page with ripening bowl, University of California—Davis, Postharvest Technology Research and Information Center, Davis, California, U.S.A.  
 Kitinoja, Lisa, et al., "Small-scale Postharvest Handling Practices—A Manual for Horticultural Crops—3rd Ed.,"

Postharvest Horticulture Series No. 8—Mar. 1995, entire page—excerpt from Section 9 on Ripening, University of California—Davis, Postharvest Technology and Information Center, Davis, CA, U.S.A.

Produce Marketing Association, "Ethylene Gas," AboutProduce.com FAQ, © 2000 (Copyright before effective date), all pages, <http://www.aboutproduce.com/faq/ethylene.html>, U.S.A.

Kader, Adel, et al., "Storing Fresh Fruits and Vegetables for Better Taste," Poster and Text published by Postharvest Technology Research and Information Center, Department of Pomology, University of California, Davis, Jan. 10, 2000, entire page and Countertop Storage section, Davis, California, U.S.A.

Brody, Aaron J., "Smart Packaging Becomes Itellipac™," Food Technology, Jun. 2000, vol. 54, No. 6, p. 104 107, U.S.A.

RETROMODERN.COM, "Lobo Fruit Bowl / Bread Basket design year 1977," <http://www.retromodem.com>, © 2000-2001 (copyright before effective date), all, U.S.A.

CATALOGCITY.COM, "Kitchen Basket—Banana Tree," <http://amos.catalogcity.com/cc?main=catalog&pcd=4328503&prd=6291163&ccsyn=22>, Jan. 22, 2003, all, U.S.A.

CATALOGCITY.COM, "Ripen-Right Fruit Bowl," [www.http://amos.catalogcity.com/cc.class/cc?main=catalog&pcd=4989142&prd=7194690&ccsyn=22](http://amos.catalogcity.com/cc.class/cc?main=catalog&pcd=4989142&prd=7194690&ccsyn=22), Jan. 22, 2003, all, U.S.A.

TABLETOOLS.COM, "Filio Fruit Tray, by Mono Table Top," [http://www.tabletools.com/tabletools/showdetl.cfm?&DID=G&user\\_ID=2327780&st=5803](http://www.tabletools.com/tabletools/showdetl.cfm?&DID=G&user_ID=2327780&st=5803), Feb. 2, 2003, all, U.S.A.

DESIGNSTORE.COM, "Rosendahl stainless steel fruit dish," <http://www.designstore.com/rosstainsteel.html>, Feb. 2, 2003, all, U.S.A.

SURPRISE.COM, "Fruit Ripening Bowl," [http://surprise.com/food/foodie/fruit\\_ripening-bowl.cfm](http://surprise.com/food/foodie/fruit_ripening-bowl.cfm), Feb. 2, 2003, all, U.S.A.

STARTSAMPLING.COM, "Hammacher Ripening Bowl," <http://www.startsampling.com/SIProduct.iphhtml?name=Ripening%20Bowl>, Feb. 3, 2003, all, U.S.A.

CATALOGCITY.COM, "Spathe Bowl," <http://r2.us.rni.yahoo.com/mi/http://amos.catalogcity.com/oc.class/cc/mivars?target=top?main=catalog&pod=2921396&ccsyn>, Feb. 4, 2003, all, U.S.A.

CATALOGCITY.COM, "Fruit Bowl—Natural Wood," <http://r2.us.mi.yahoo.com/mi/http://amos.catalogcity.com/cc.class/cc/rmivars?target>, Feb. 4, 2003, all, U.S.A.

Techno Scout, "Fruit Saver Advertisement," Parade Magazine, Feb. 9, 2003, Parade Publications, N.Y., U.S.A.

First Capital Craft Mall & Family Ties, "Banana Hanger," <http://imagineifyouwill.site.yahoo.net/bananahanger.html>, Feb. 11, 2003, all, U.S.A.

TABLETOOLS.COM, "Top Serve Container," [http://www.tabletools.com/tabletools/showdetl.cfm?&DID=G&Product\\_ID=2940&CATID](http://www.tabletools.com/tabletools/showdetl.cfm?&DID=G&Product_ID=2940&CATID), Feb. 11, 2003, all, U.S.A.

TARGET.COM, "Arthur Court Kitchen Banana & Fruit Bowl," [http://www.target.com/gp/detail.html/sr=1-1/qid=1044982115/ref=sr\\_1\\_1/601-9410451\\_73](http://www.target.com/gp/detail.html/sr=1-1/qid=1044982115/ref=sr_1_1/601-9410451_73) . . . , Feb. 11, 2003, all, U.S.A.

EBAY.COM, 70's "Space Age Terrarium Fruit Ripener," <http://cgi.ebay.com/wseBayISAA.d117ViewItem&item=2306242466&Category=367>, Feb. 12, 2003, all, U.S.A.

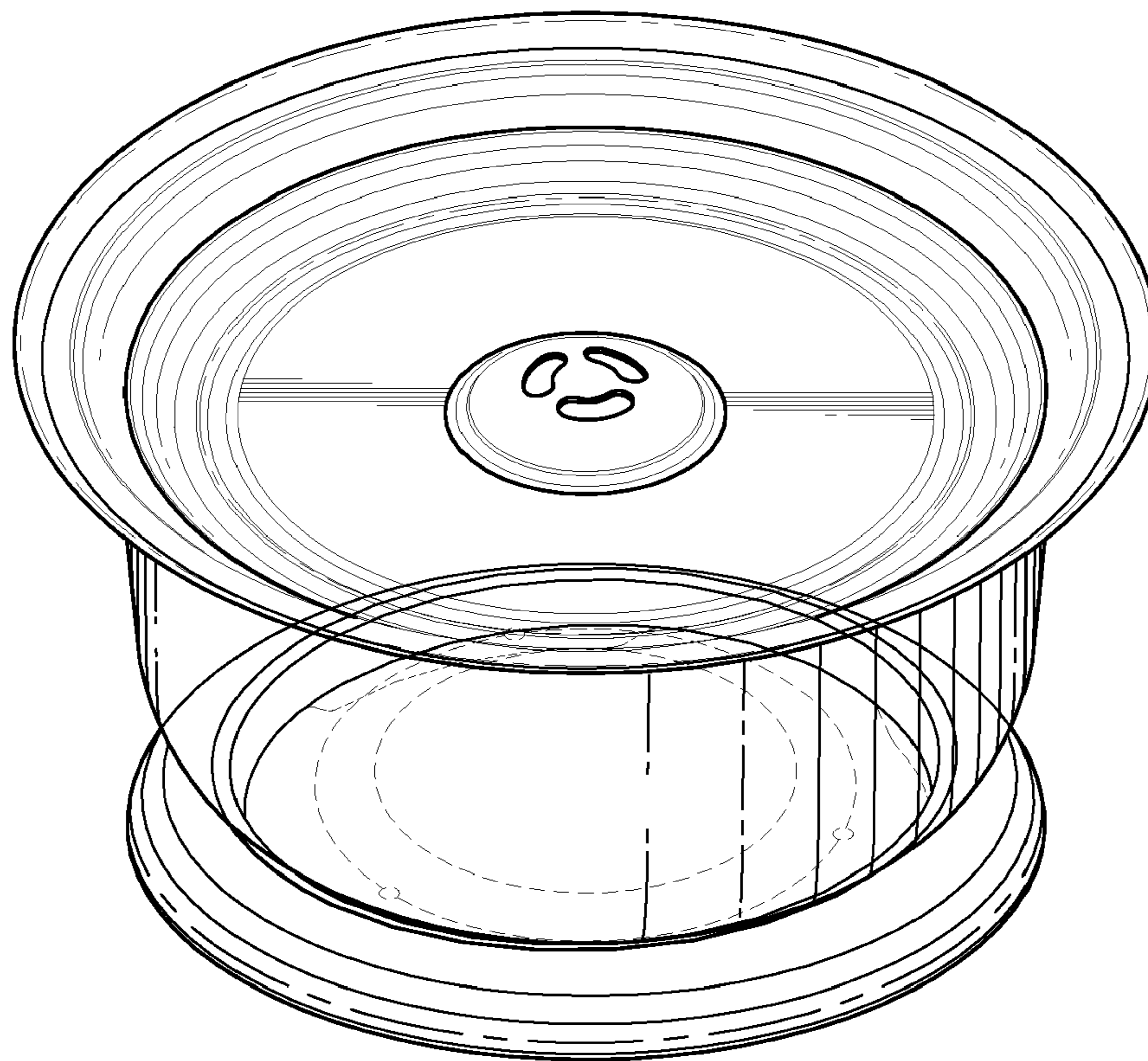
KITCHENCLASSICS.COM, "The Ingenious Kitchen Tool"—Koller-Craft Fruit Ripener, <http://kitchen-classics.com/fruitripen.html>, Feb. 12, 2003, all, U.S.A.

Koller-Craft Plastic Products, "How It Works," Product Insert for Koller-Craft Fruit Ripener, Feb. 12, 2003 or earlier, Koller-Craft Plastic Products, Fenton, MO, U.S.A.

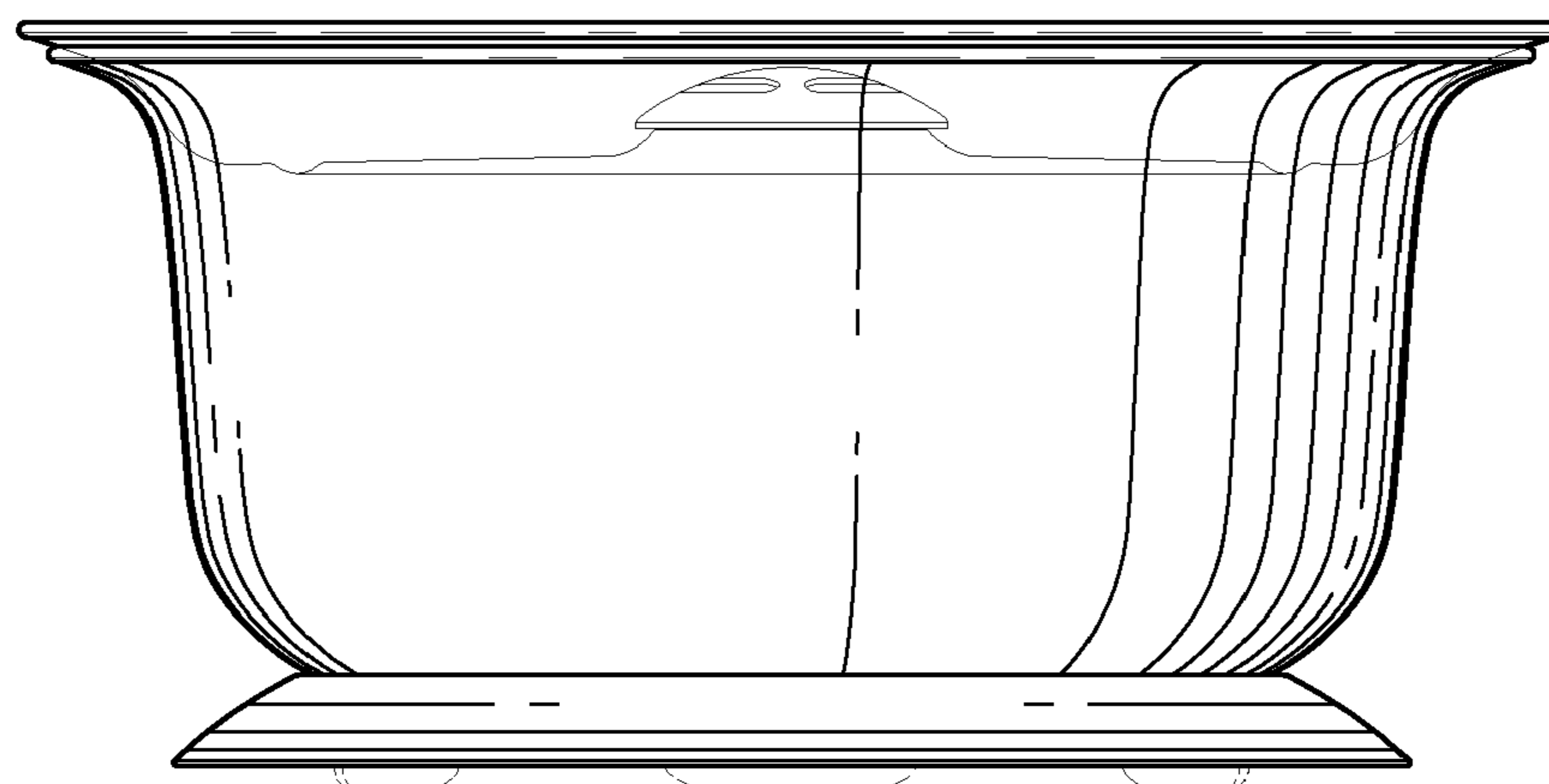
Stedelijk Museum, "Gij's Bakker Flow (Fruit Bowl) 2000-2002," Stedelijk Museum Bulletin, Apr. 2003, p. 37, photo, Netherlands.

GIFCO, Gift Consultant Magazine, 1999, p. 203 93823S, Japan.

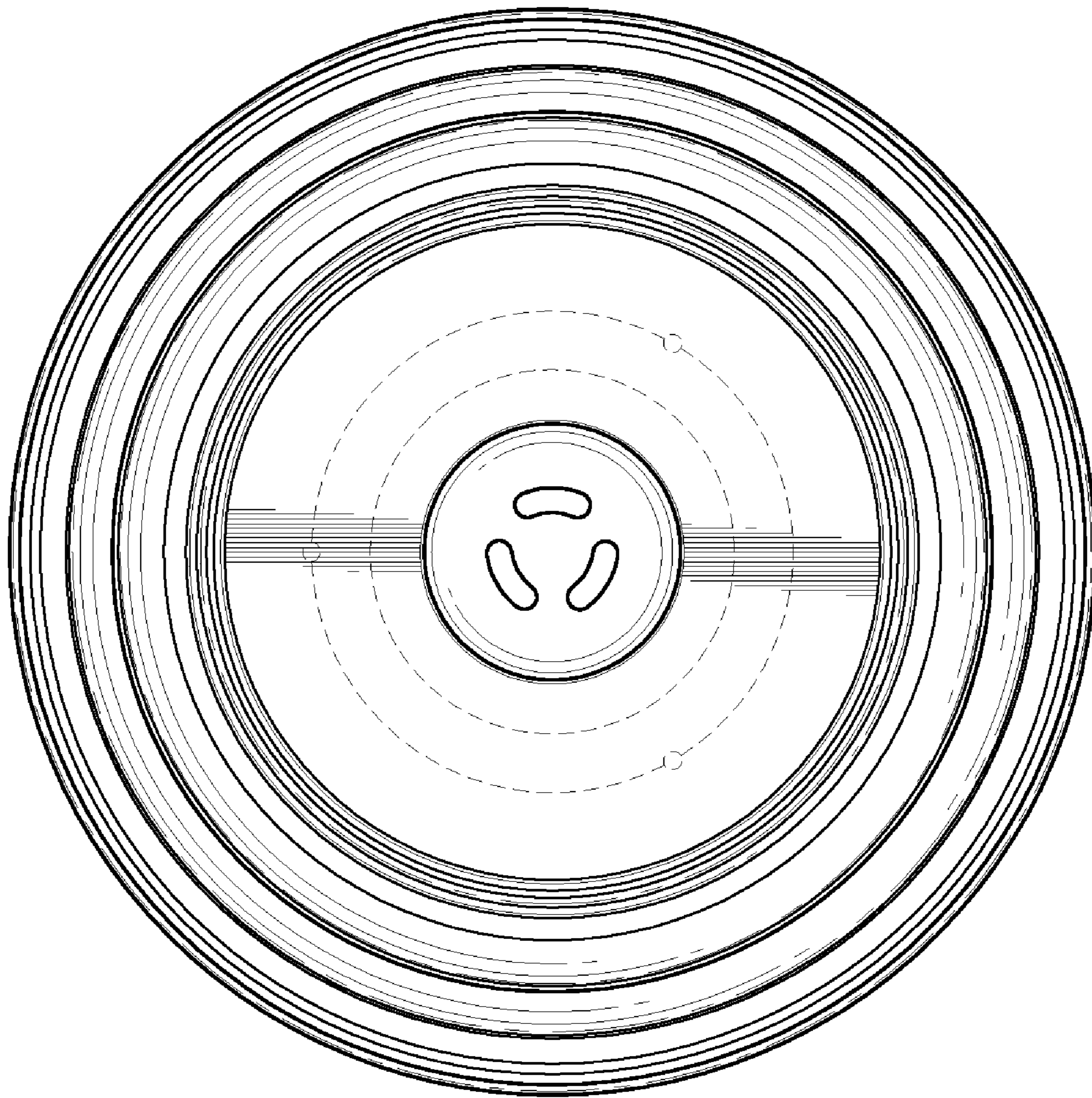
\* cited by examiner



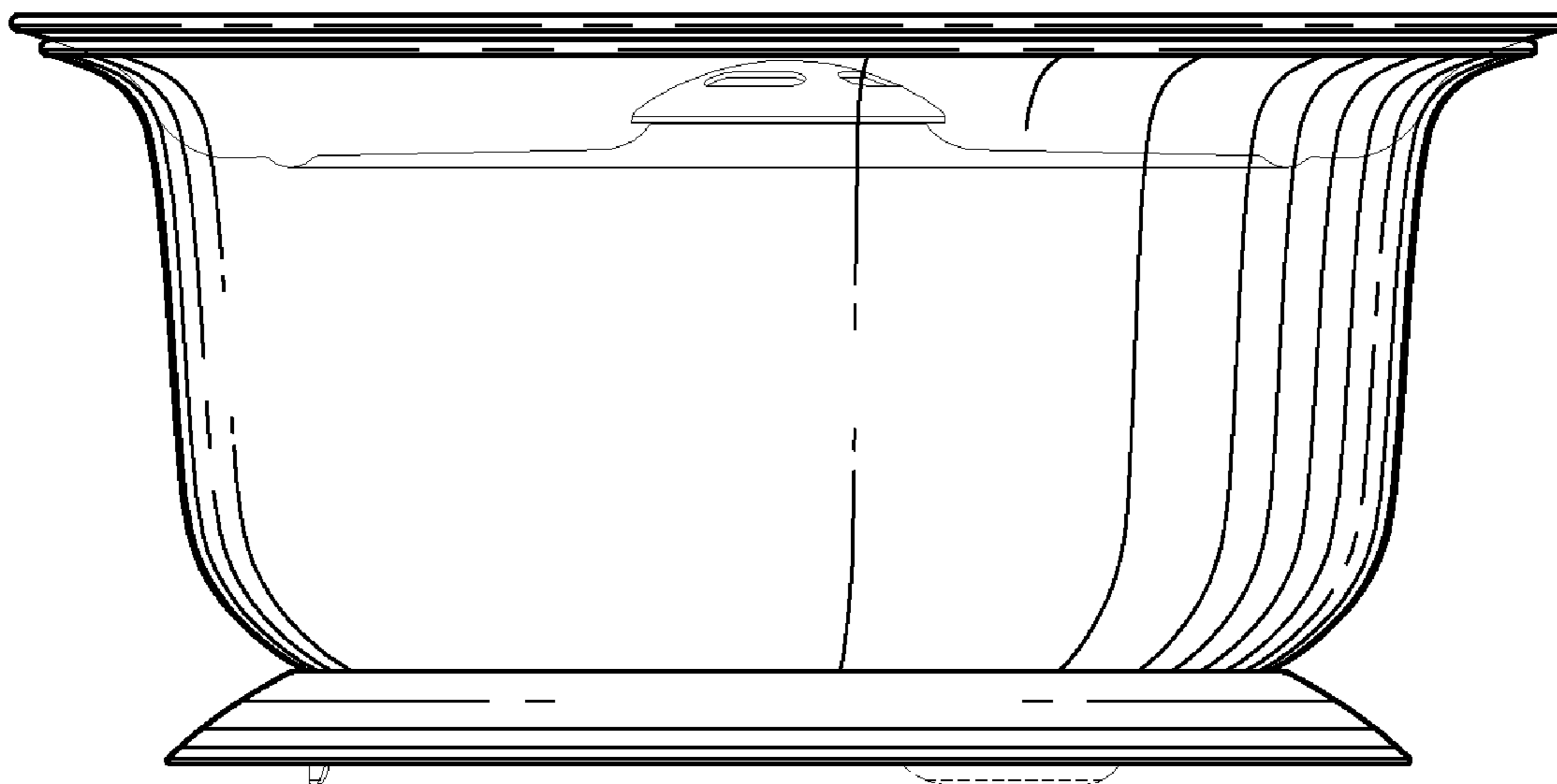
*FIG. 1*



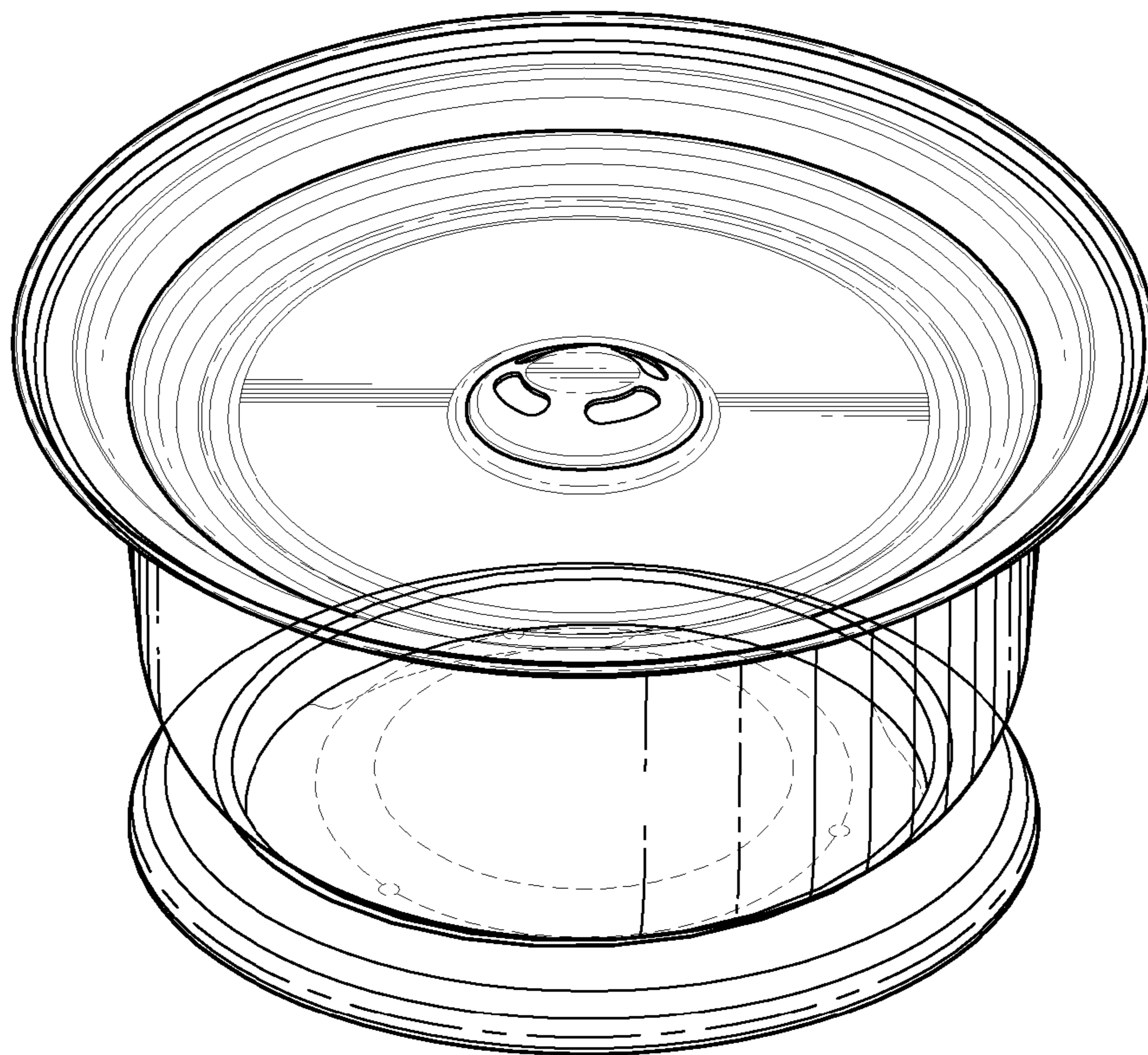
*FIG. 2*



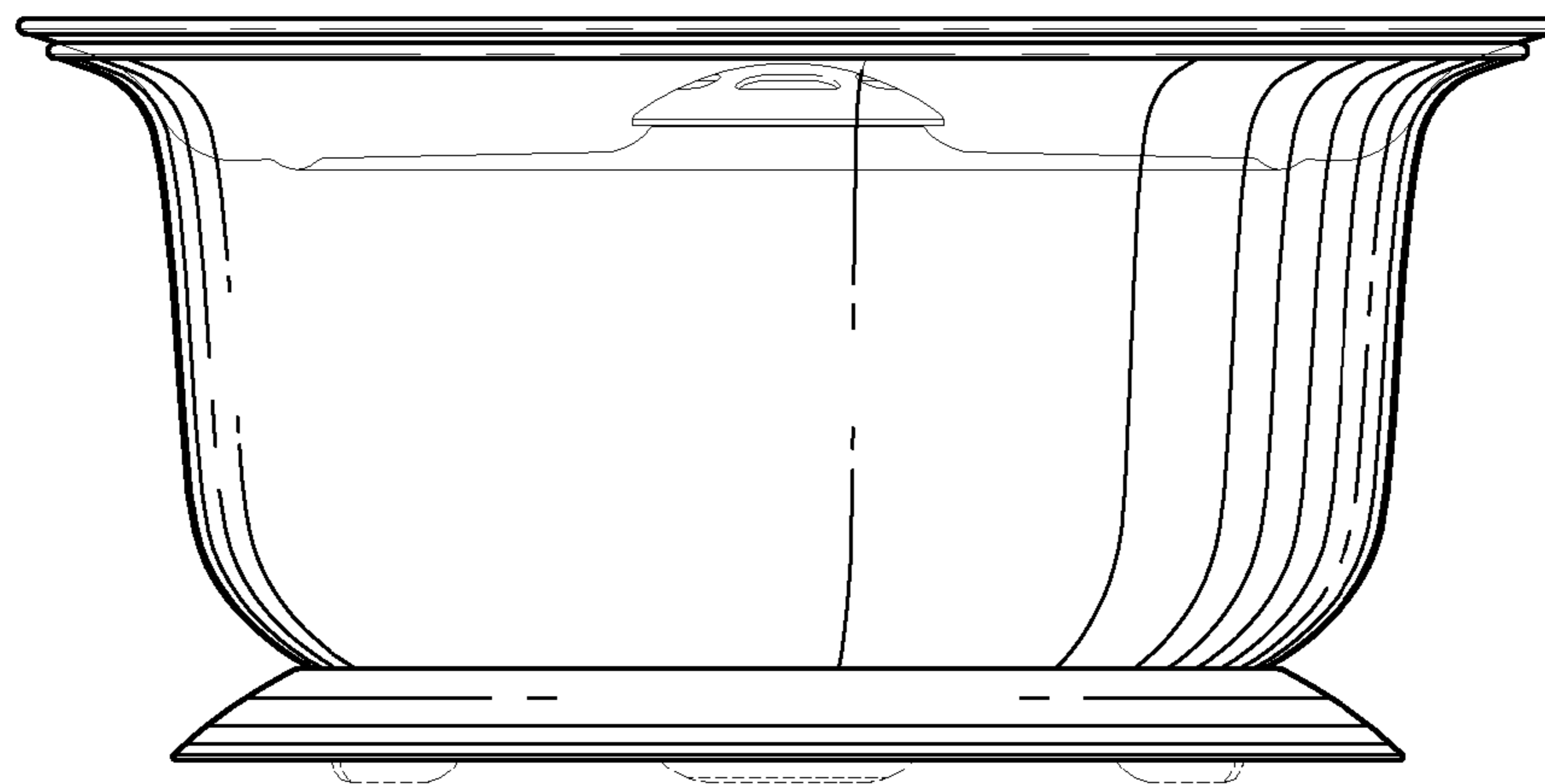
*FIG. 3*



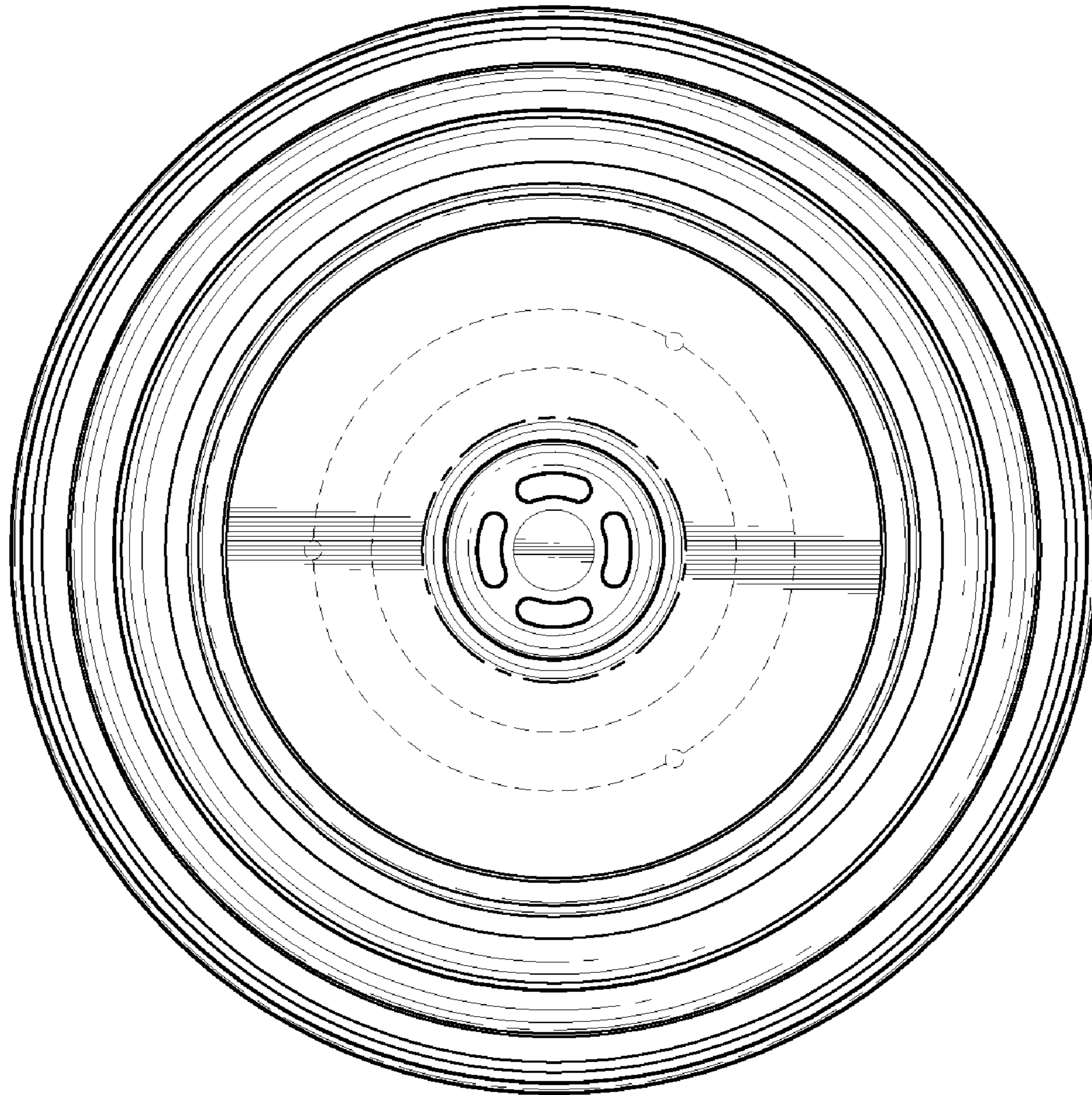
*FIG. 4*



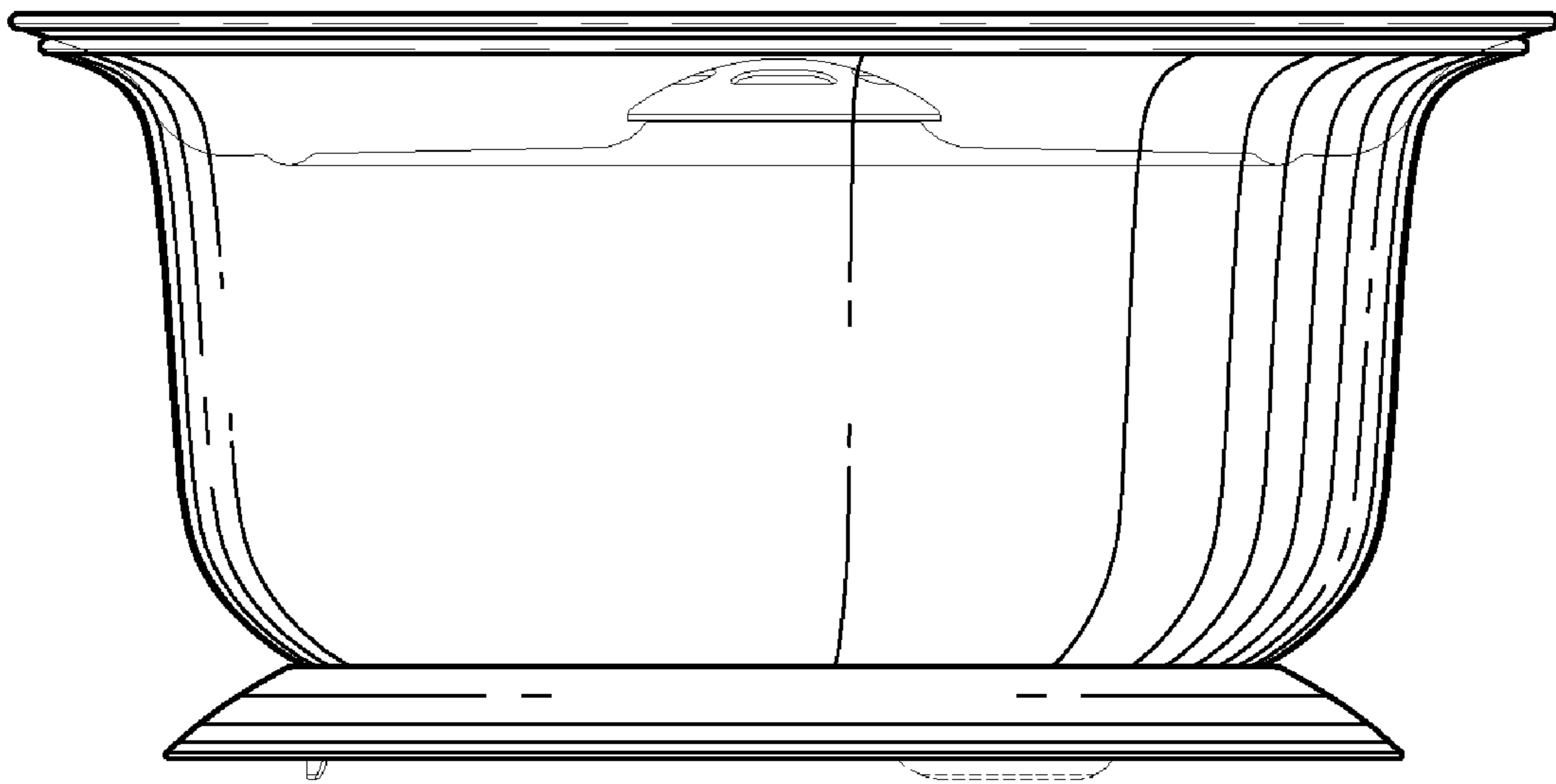
*FIG. 5*



*FIG. 6*



*FIG. 7*



*FIG. 8*