

US00D548015S

(12) **United States Design Patent** (10) **Patent No.:** **US D548,015 S**
Bergin (45) **Date of Patent:** **** Aug. 7, 2007**

(54) **CUP HOLDER**

(75) Inventor: **Peter W. A. Bergin**, Rancho Mirage, CA (US)

(73) Assignee: **Caddy Products, Inc.**, Thousand Palms, CA (US)

(**) Term: **14 Years**

(21) Appl. No.: **29/259,788**

(22) Filed: **May 16, 2006**

(51) **LOC (8) Cl.** **07-06**

(52) **U.S. Cl.** **D7/620**

(58) **Field of Classification Search** D7/619.1-625;
248/311.2, 313, 181.1, 212, 220.22, 224.7,
248/223.41, 223.31; 297/188.18, 188.14,
297/188.2

See application file for complete search history.

D383,362 S *	9/1997	Ayotte et al.	D7/620
D385,464 S	10/1997	Stern et al.	D7/602
5,709,429 A	1/1998	Bergin	297/188.04
D398,127 S	9/1998	Bergin et al.	D34/27
5,813,644 A *	9/1998	Bergin	248/311.2
D400,678 S *	11/1998	Clark et al.	D34/27
5,938,091 A	8/1999	Bergin et al.	224/411
D425,012 S	5/2000	Bergin	D12/419
6,186,382 B1	2/2001	Bergin et al.	224/411
D445,308 S *	7/2001	Oxley	D7/620
6,641,101 B2	11/2003	Bergin	248/311.2

* cited by examiner

Primary Examiner—Terry A. Wallace

(74) *Attorney, Agent, or Firm*—Westman, Champlin & Kelly, P.A.

(57) **CLAIM**

The ornamental design for a cup holder, as shown and described.

(56) **References Cited**

U.S. PATENT DOCUMENTS

D307,852 S *	5/1990	Clark	D7/620
D328,223 S	7/1992	Clark	D7/622
5,234,251 A	8/1993	Ayotte	297/194
5,302,000 A	4/1994	Ayotte	297/194
D350,259 S	9/1994	Ayotte	D7/620
D353,289 S	12/1994	Ayotte et al.	D6/510
5,421,638 A	6/1995	Ayotte et al.	297/188.04
D365,250 S *	12/1995	Bergin et al.	D7/620
D367,997 S	3/1996	Ayotte et al.	D7/620
D368,628 S *	4/1996	Bergin	D7/620
D377,439 S	1/1997	Ayotte et al.	D7/620
D380,125 S	6/1997	Ayotte et al.	D7/620
D380,652 S	7/1997	Ayotte et al.	D7/620

DESCRIPTION

FIG. 1 is a perspective view of the present invention;

FIG. 2 is a right elevational view;

FIG. 3 is a left elevational view;

FIG. 4 is a front view;

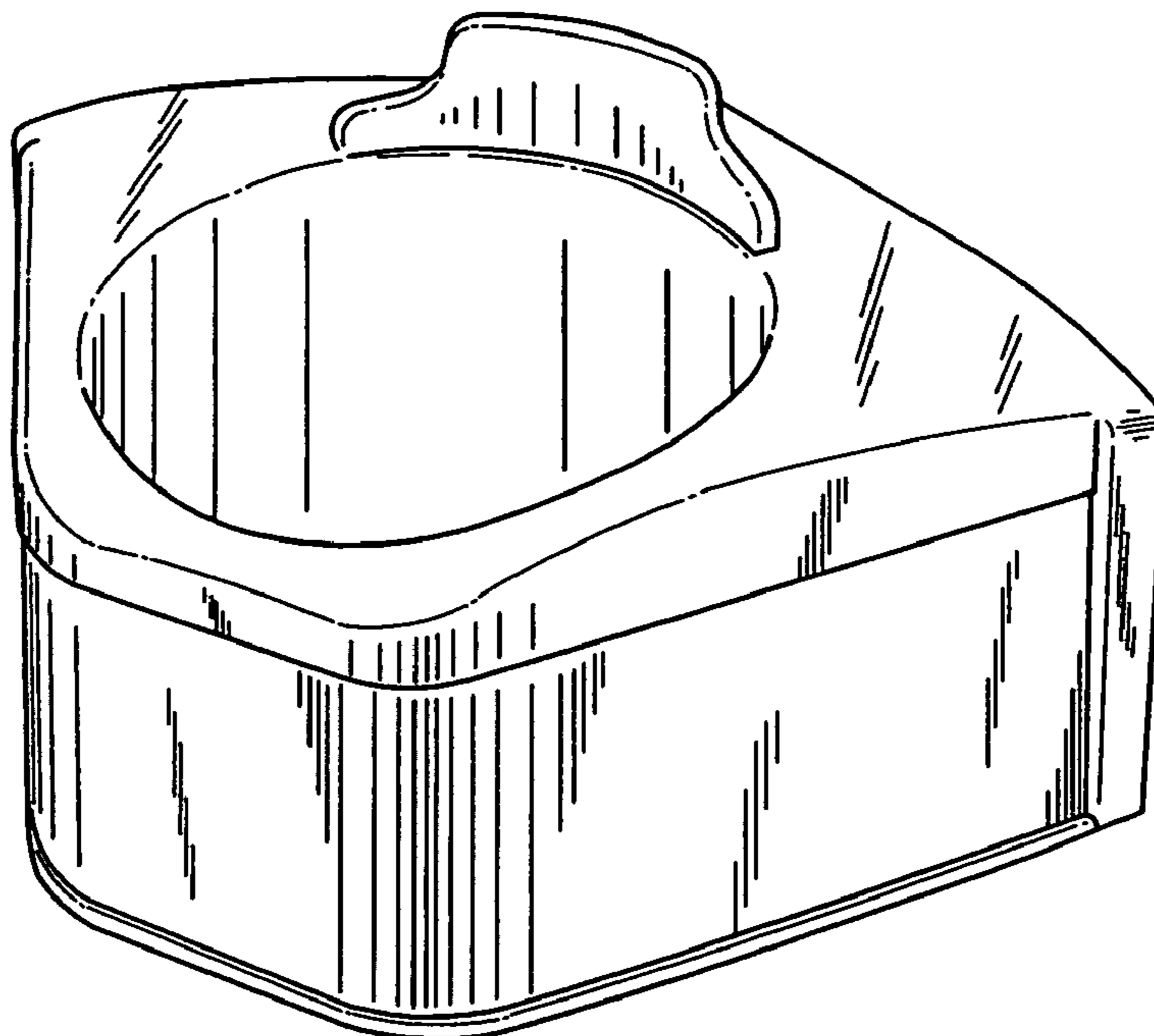
FIG. 5 is a rear view;

FIG. 6 is a top view; and,

FIG. 7 is a bottom view.

The broken lines are for illustrative purposes only and form no part of the claimed design.

1 Claim, 7 Drawing Sheets



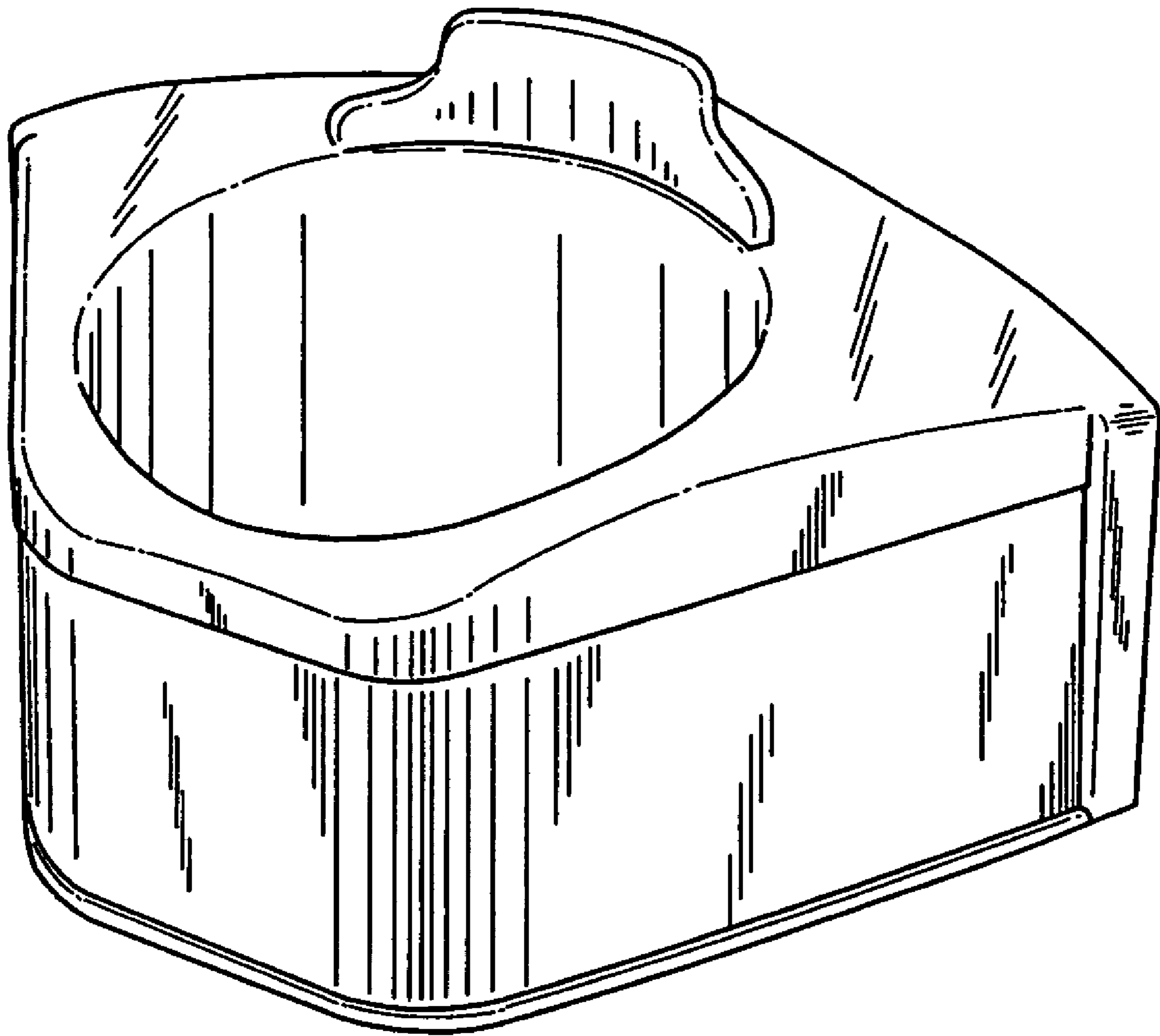


Fig. 1

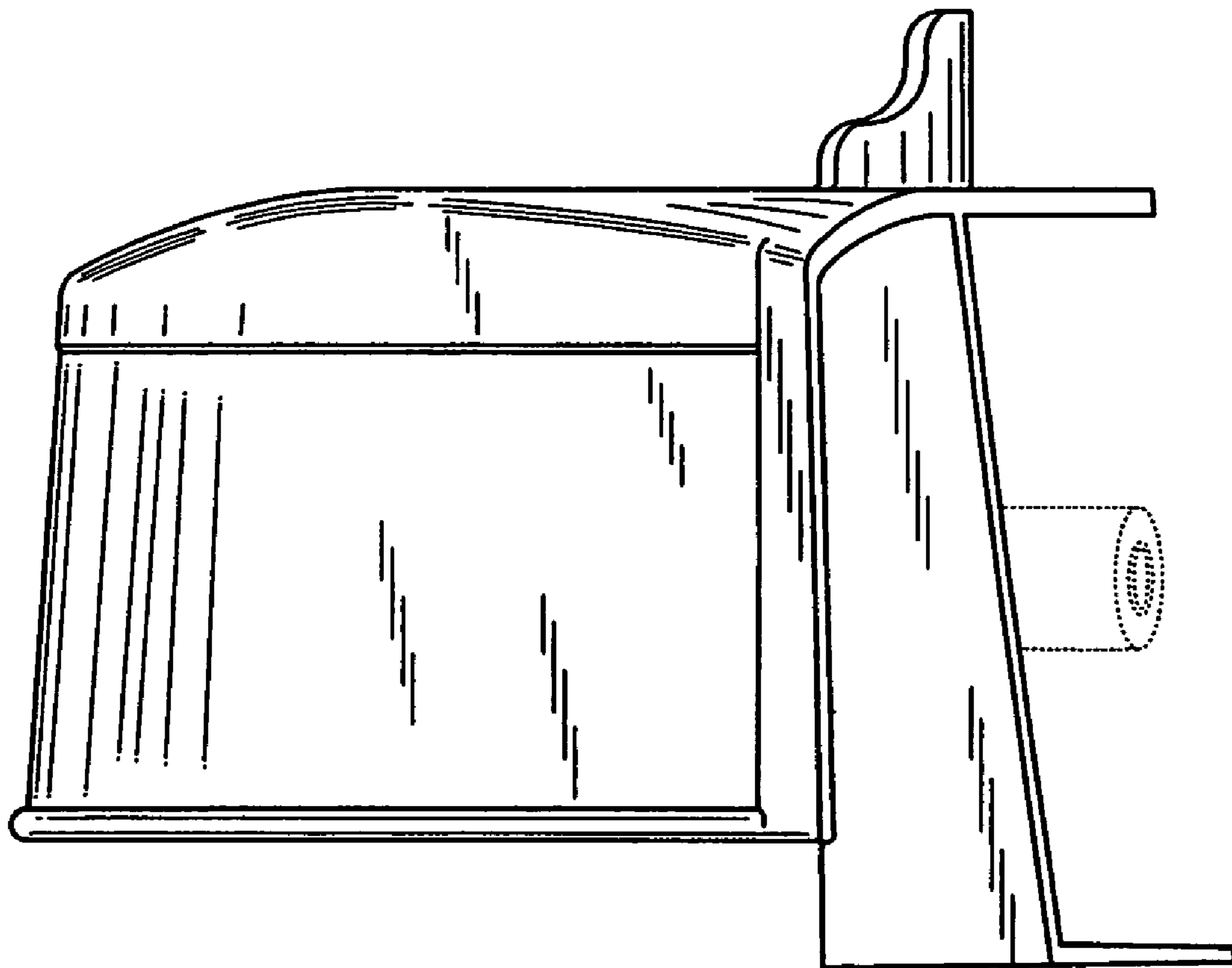


Fig. 2

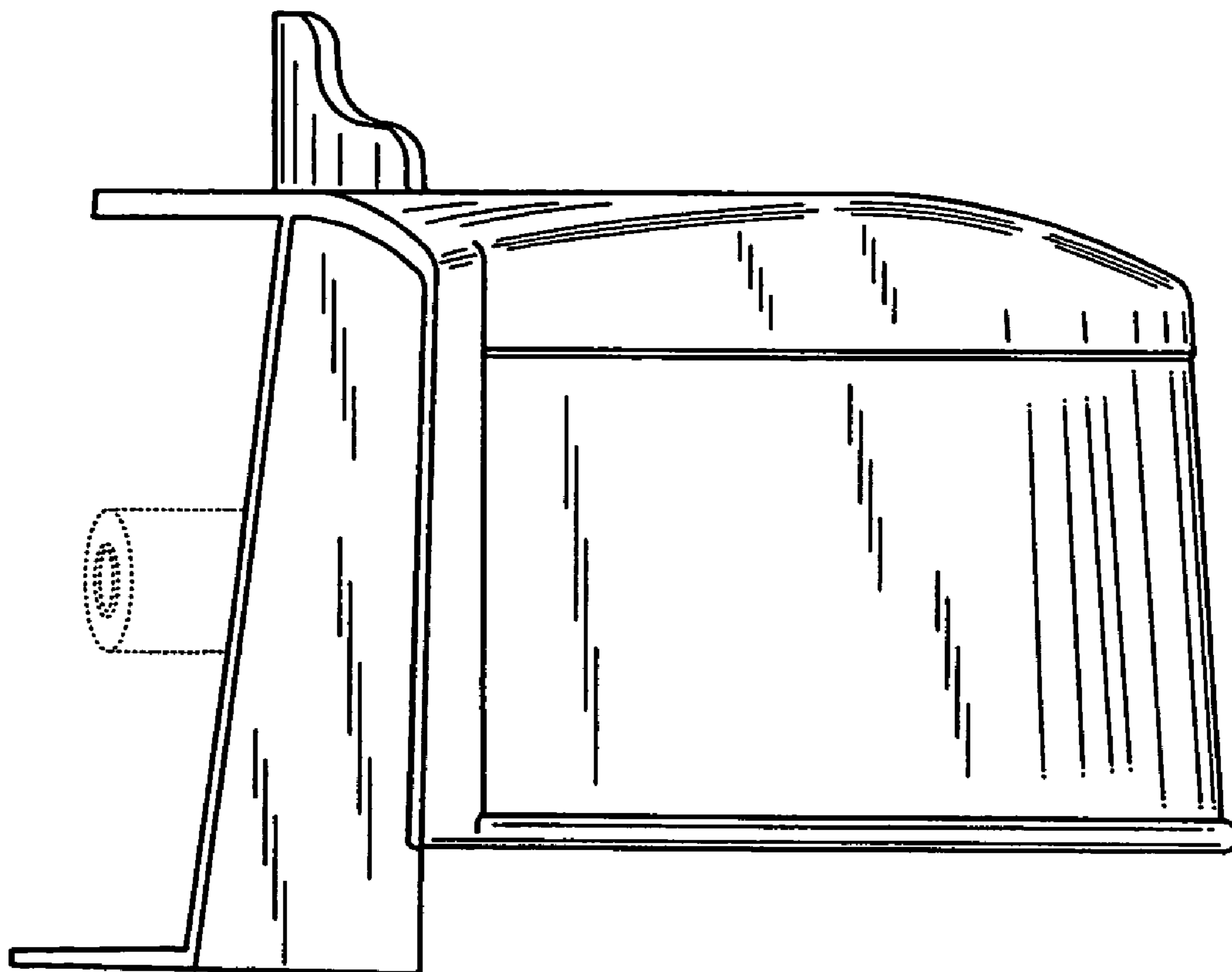


Fig. 3

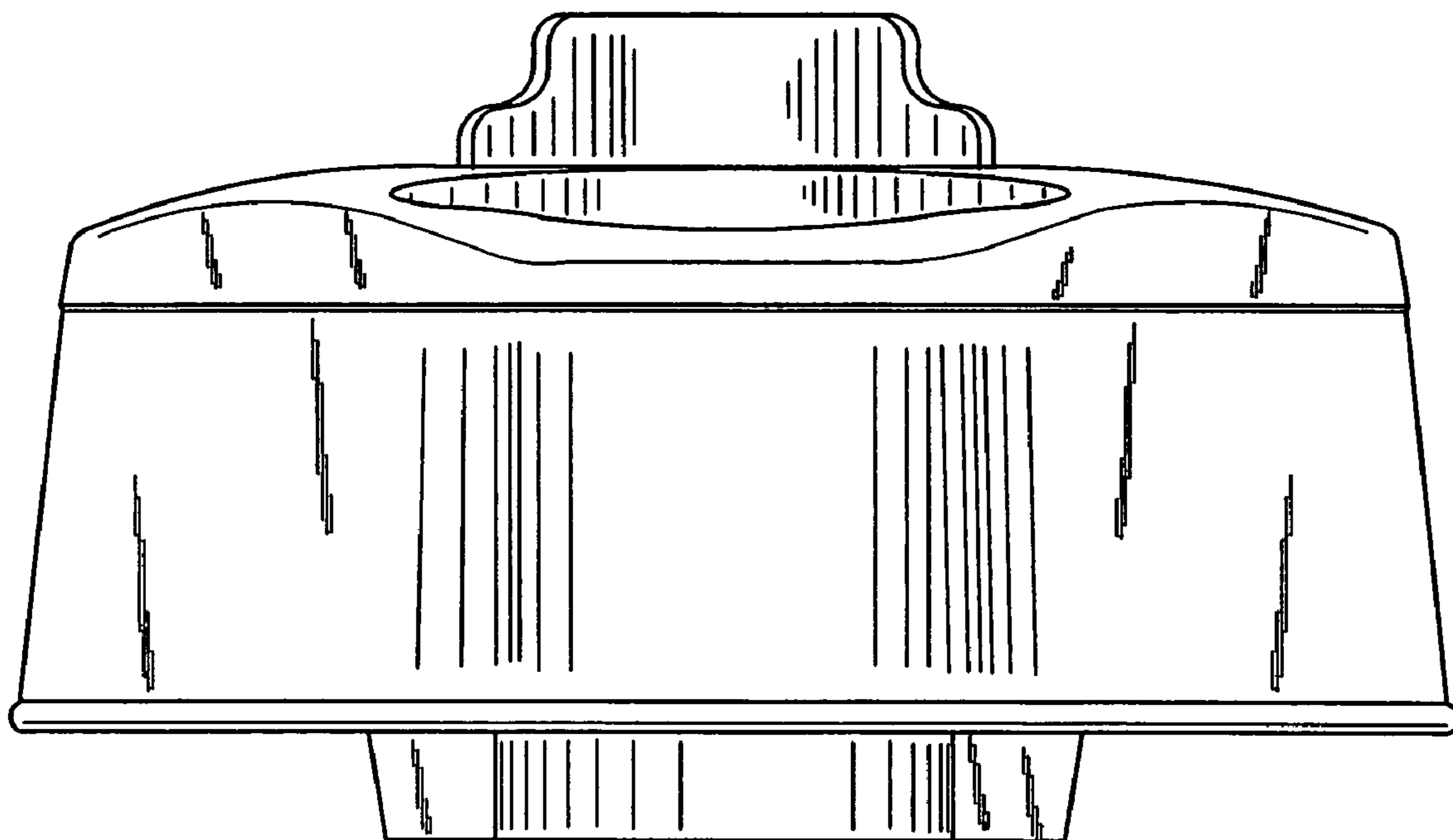


Fig. 4

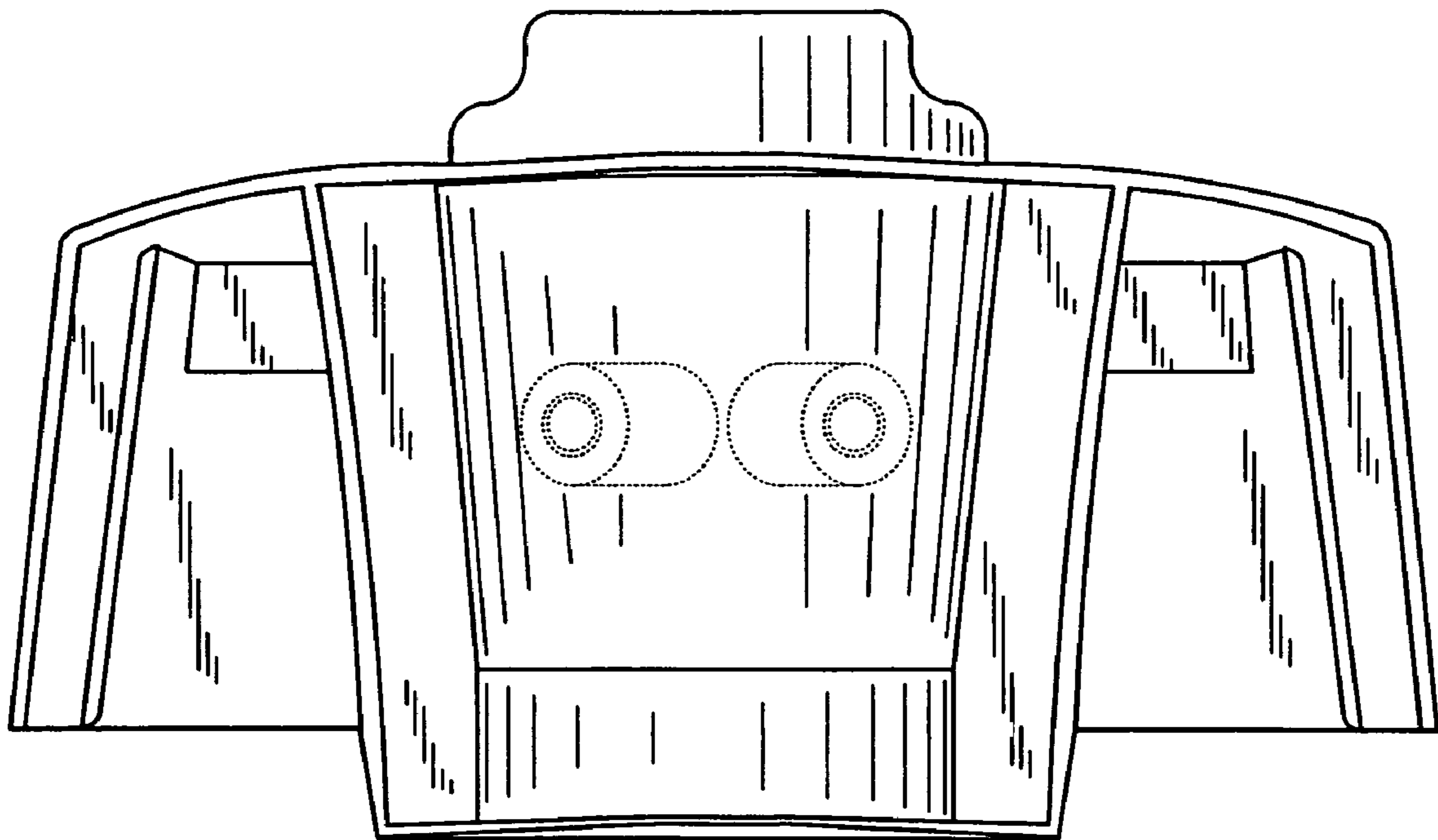


Fig. 5

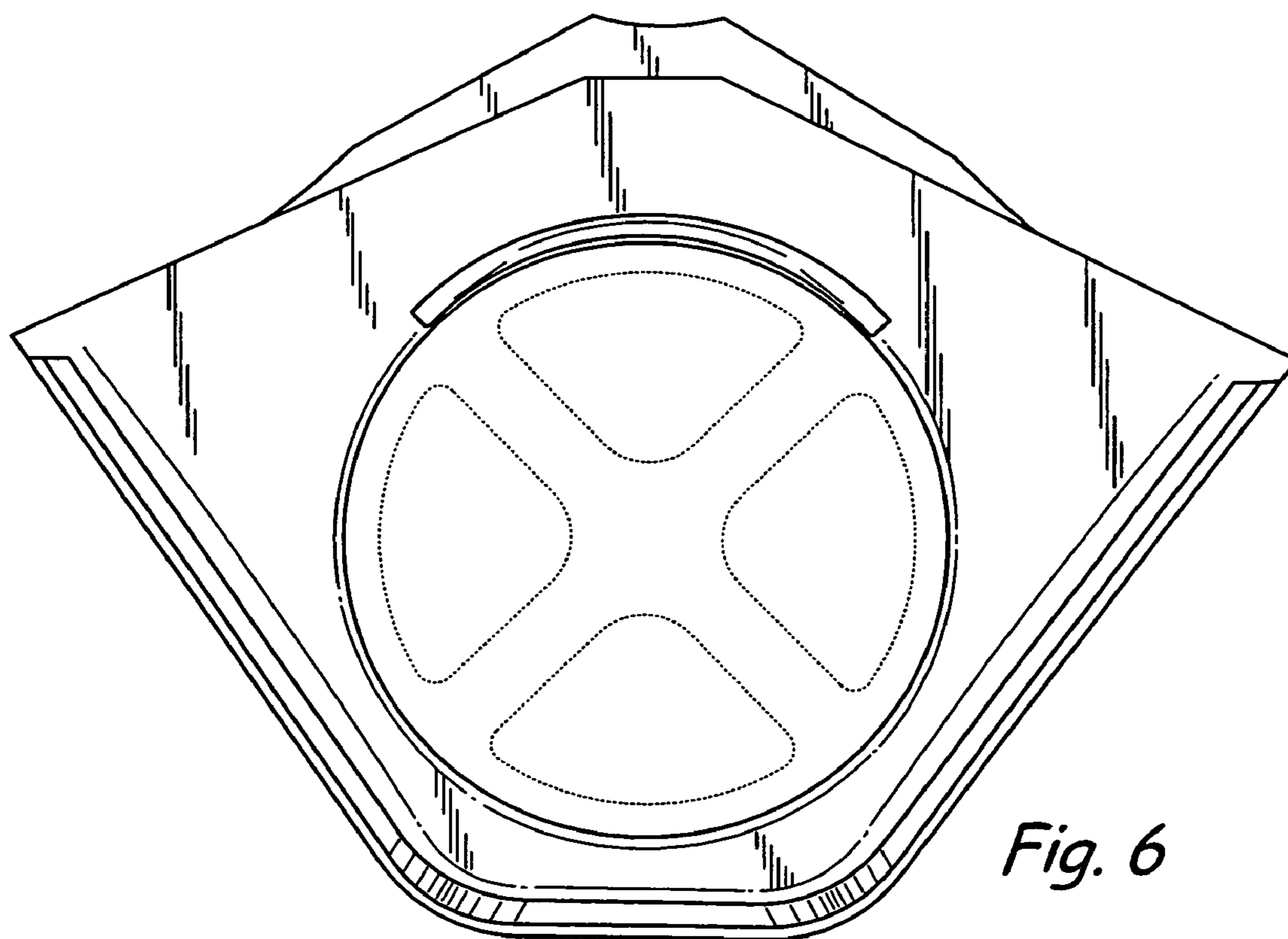


Fig. 6

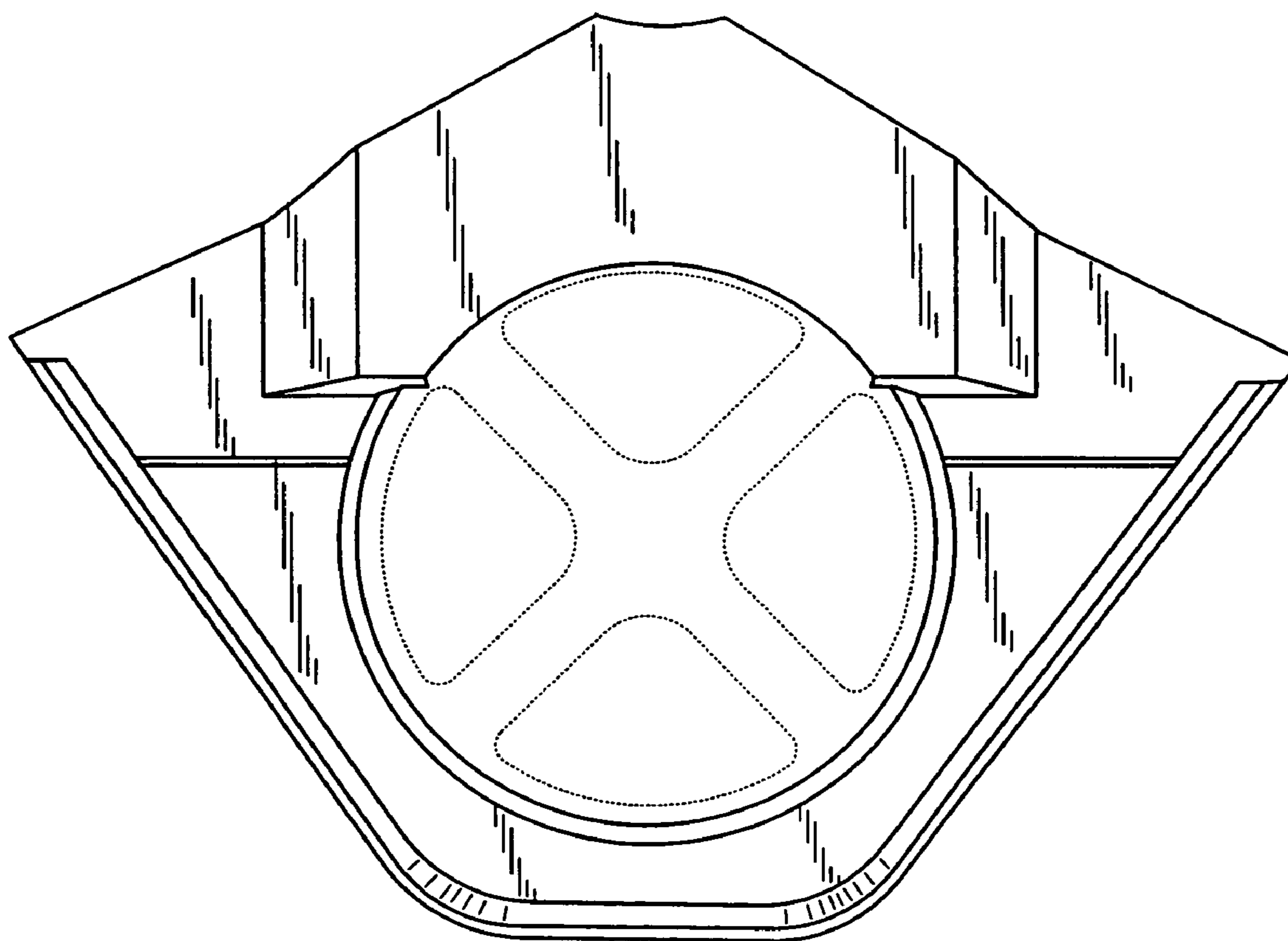


Fig. 7