

US00D548014S

(12) **United States Design Patent**  
**Kell**

(10) **Patent No.:** **US D548,014 S**

(45) **Date of Patent:** **\*\* Aug. 7, 2007**

(54) **BOWL**

(75) **Inventor:** **Jeffrey B. Kell**, Avon, NY (US)

(73) **Assignee:** **WKI Holding Company, Inc.**,  
Rosemont, IL (US)

(\*\*) **Term:** **14 Years**

(21) **Appl. No.:** **29/224,800**

(22) **Filed:** **Mar. 7, 2005**

(51) **LOC (8) Cl.** ..... **07-01**

(52) **U.S. Cl.** ..... **D7/584**

(58) **Field of Classification Search** ..... D7/584-586,  
D7/535, 602, 542, 505, 543, 611, 545, 376,  
D7/630, 565, 558, 300.1, 397, 312, 523, 316,  
D7/396.2, 503, 566, 509, 570; D9/769, 772,  
D9/424, 425, 430-433, 428, 901, 902; 220/23.83,  
220/574, 212, 657, 659, 755, 771; 222/143,  
222/465.1; 206/821, 822

See application file for complete search history.

(56) **References Cited**

**U.S. PATENT DOCUMENTS**

D144,905 S \* 6/1946 Cameron ..... D7/535

D219,496 S \* 12/1970 Lebedeff ..... D28/85  
D279,445 S \* 7/1985 Jagger ..... D7/558  
D441,257 S \* 5/2001 Indekeu ..... D7/558  
D471,406 S \* 3/2003 Wellner ..... D7/584

\* cited by examiner

*Primary Examiner*—Ian Simmons

*Assistant Examiner*—Charles Hanson

(74) *Attorney, Agent, or Firm*—McDermott Will & Emery  
LLP

(57) **CLAIM**

The ornamental design for a bowl, as shown and described.

**DESCRIPTION**

FIG. 1 is a perspective view of a bowl showing to the new design;

FIG. 2 is a front view thereof, the rear view being identical;

FIG. 3 is a left side elevation view thereof;

FIG. 4 is a right side elevation view thereof;

FIG. 5 is a top view thereof; and,

FIG. 6 is a bottom view thereof.

**1 Claim, 2 Drawing Sheets**

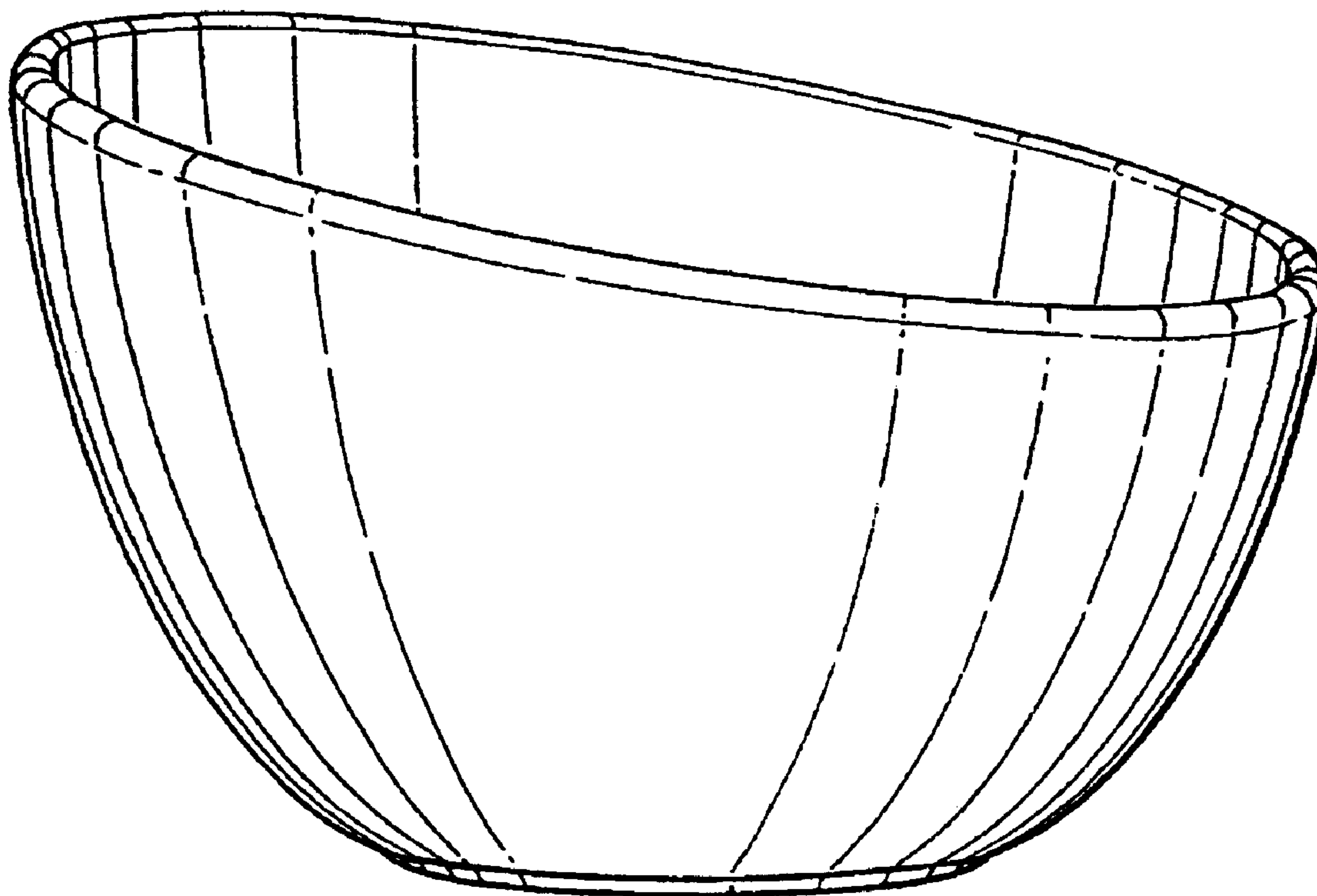


FIG. 1

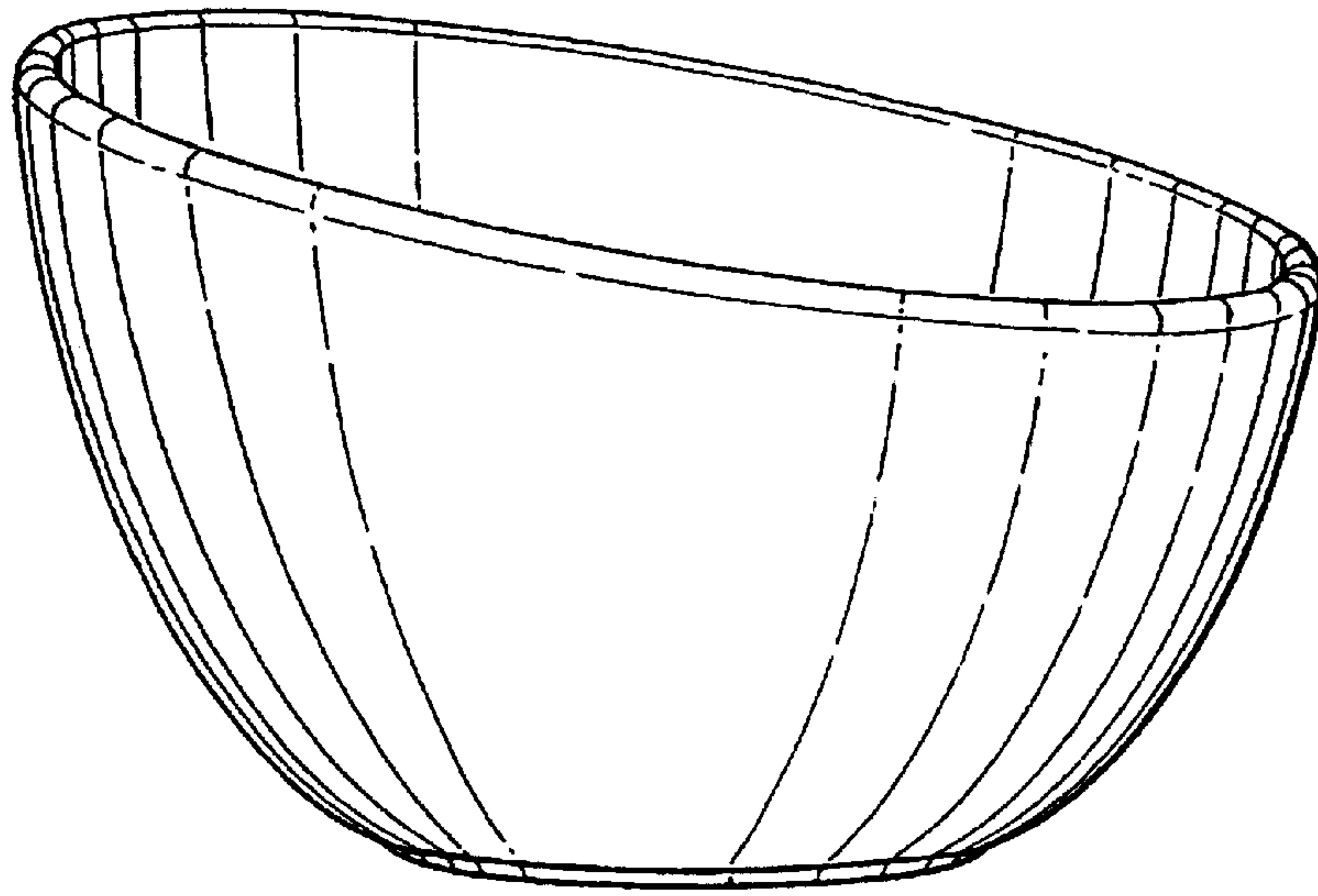


FIG. 2

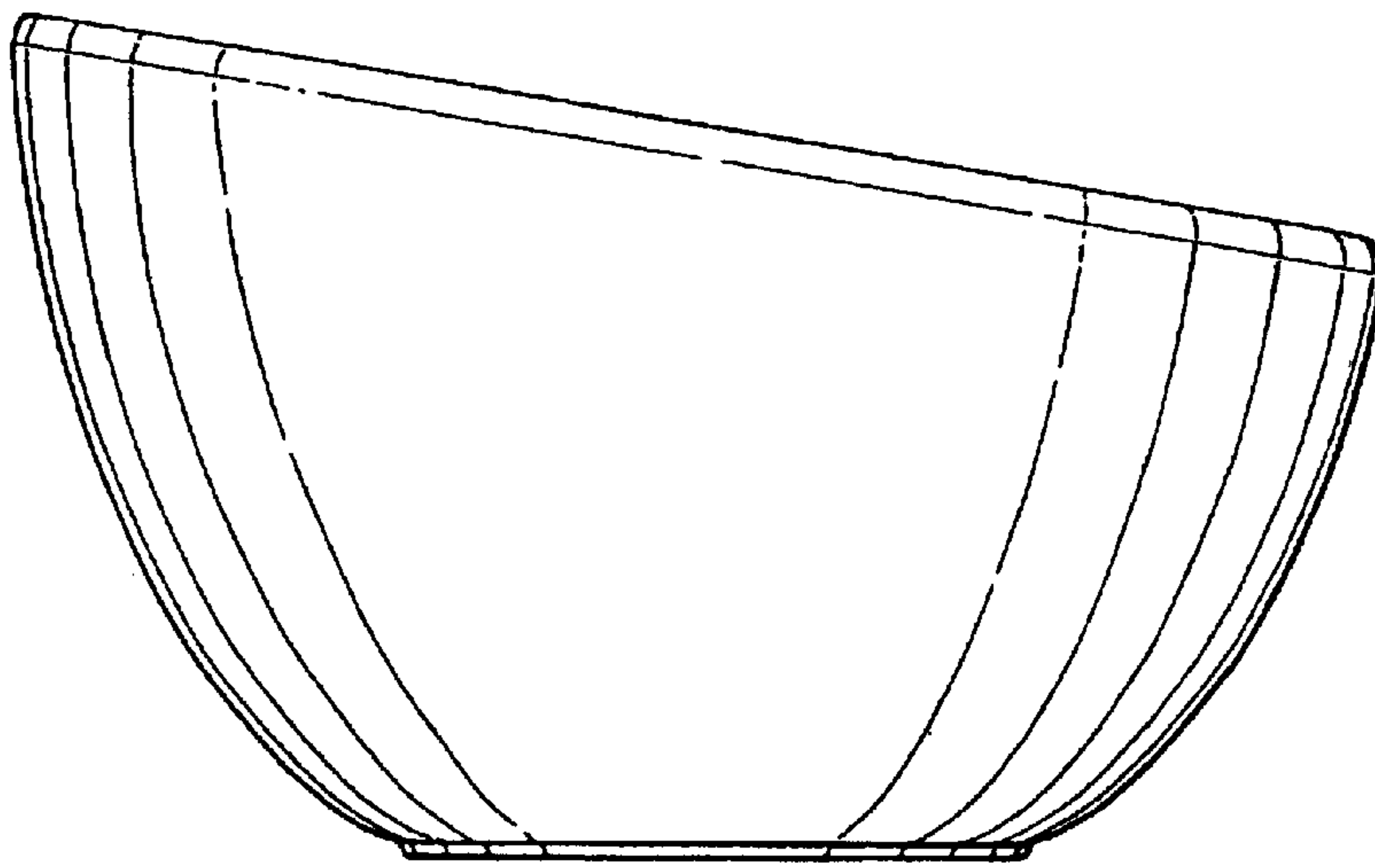


FIG. 3

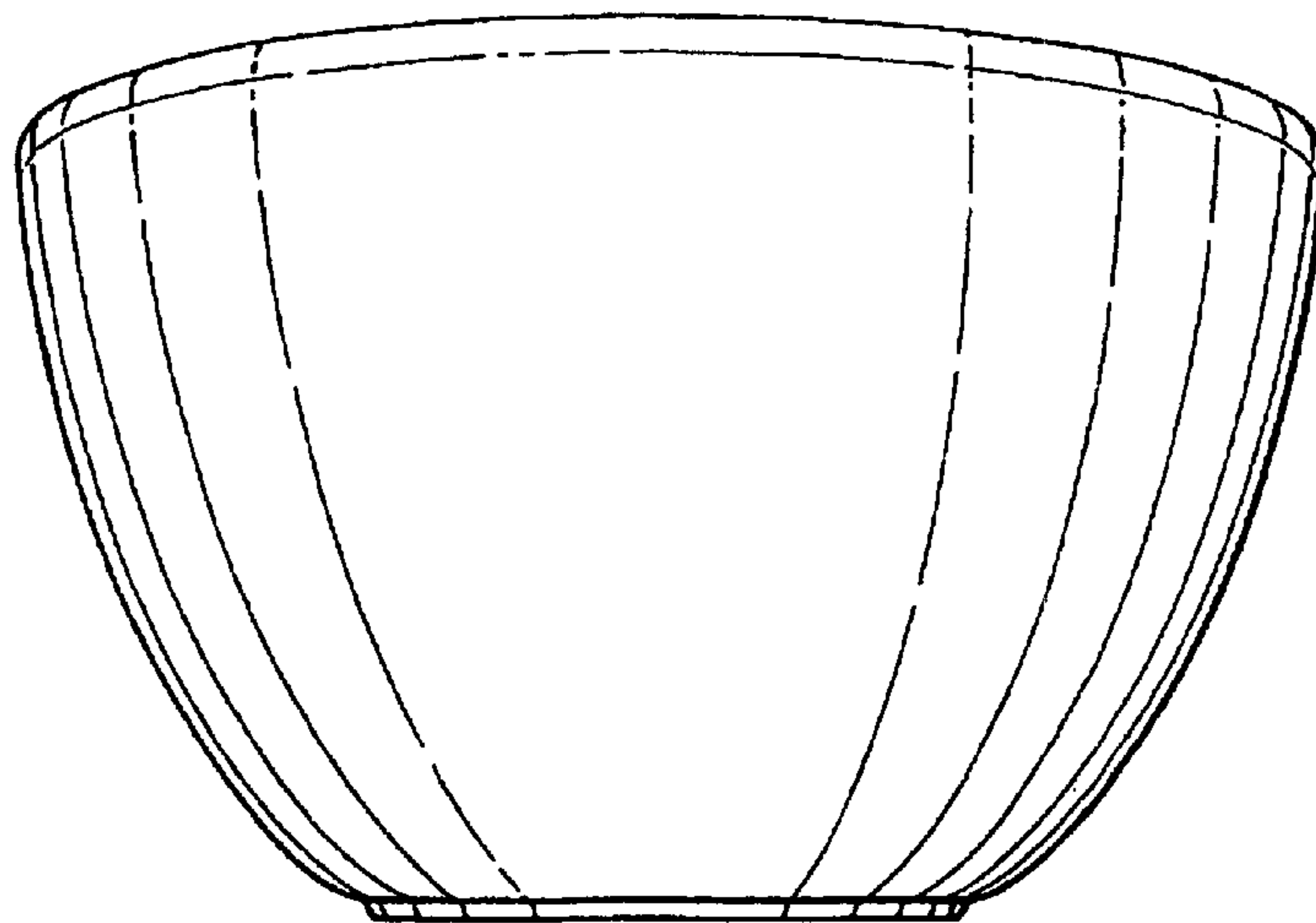


FIG. 4

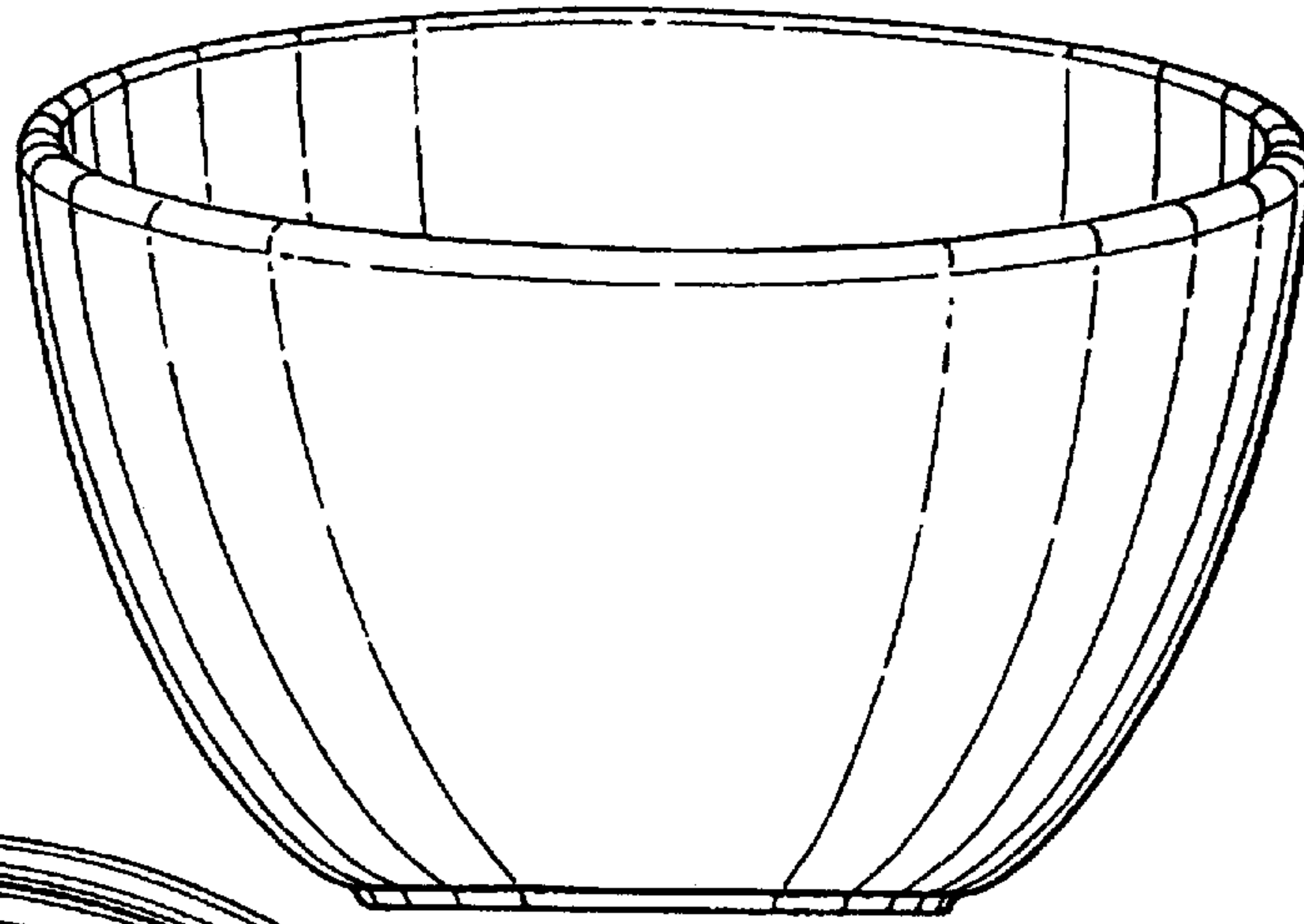


FIG. 5

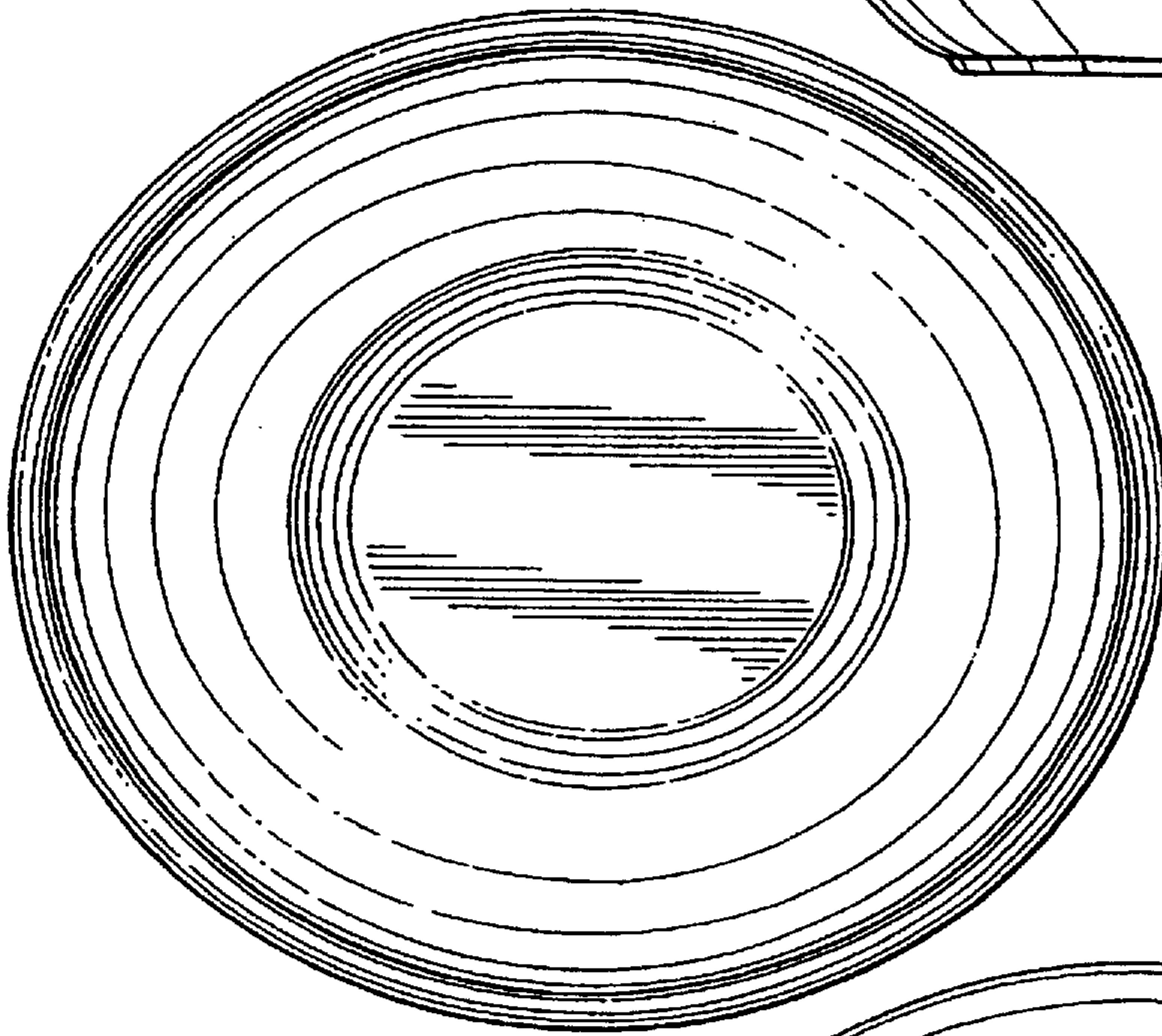


FIG. 6

