

US00D548012S

(12) **United States Design Patent**
Tien

(10) **Patent No.:** **US D548,012 S**

(45) **Date of Patent:** **** Aug. 7, 2007**

(54) **TUMBLER**

(76) **Inventor:** **Kuang-Hsia Tien**, 475 E. Duarte Rd.,
Monrovia, CA (US) 91016

(**) **Term:** **14 Years**

(21) **Appl. No.:** **29/273,638**

(22) **Filed:** **Mar. 8, 2007**

D422,179 S *	4/2000	Stephenson	D7/510
D438,757 S *	3/2001	Joergensen	D7/510
D457,783 S *	5/2002	Bodum	D7/511
D475,891 S *	6/2003	Bin	D7/510
D483,995 S *	12/2003	Otake	D7/523
D486,996 S *	2/2004	Karp	D7/510
D509,408 S *	9/2005	Ward et al.	D7/523
D509,707 S *	9/2005	Tien	D7/510
D515,357 S *	2/2006	Ward et al.	D7/510
D518,333 S *	4/2006	Gluck	D7/523
D534,770 S *	1/2007	Gluck	D7/532
D535,524 S *	1/2007	Kramer	D7/533

Related U.S. Application Data

(62) Division of application No. 29/238,426, filed on Sep. 15, 2005.

(51) **LOC (8) Cl.** **07-01**

(52) **U.S. Cl.** **D7/532; D7/523**

(58) **Field of Classification Search** D7/392-394,
D7/509-511, 523, 531-533, 605, 608, 619.1,
D7/622; 215/382, 384, 386-388, DIG. 7;
220/592.16, 703, 710

See application file for complete search history.

(56) **References Cited**

U.S. PATENT DOCUMENTS

D119,862 S *	4/1940	Lundy	D7/523
3,108,707 A *	10/1963	Kend	206/457
D362,156 S *	9/1995	Goto et al.	D7/511
D371,936 S *	7/1996	Goto et al.	D7/523
D404,613 S *	1/1999	Hatsumoto et al.	D7/510
D410,174 S *	5/1999	Sheu	D7/510

* cited by examiner

Primary Examiner—M. N. Pandozzi

(74) *Attorney, Agent, or Firm*—Clement Cheng

(57) **CLAIM**

The ornamental design for a tumbler, as shown and described.

DESCRIPTION

FIG. 1 is a front perspective view of the tumbler.

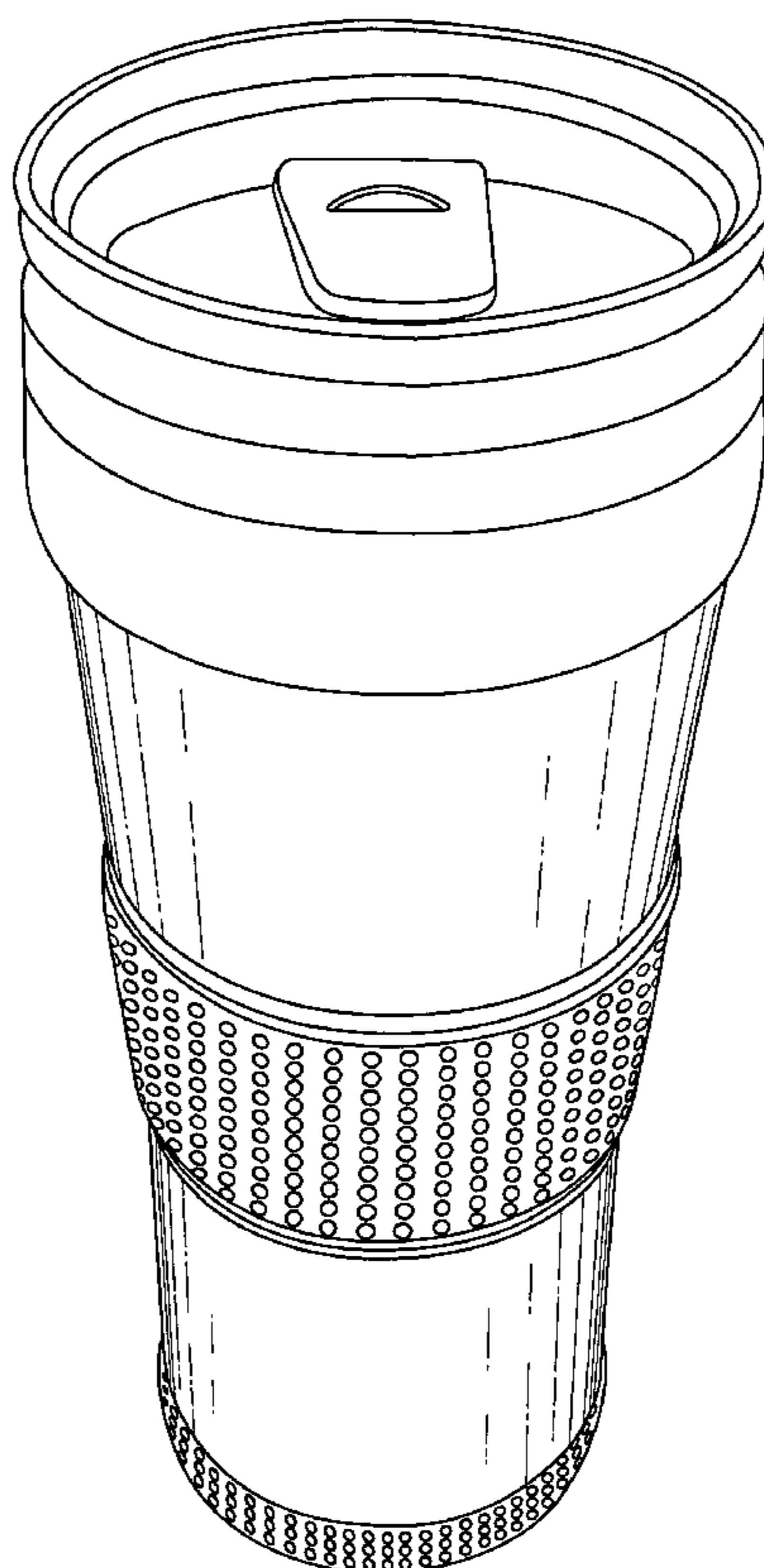
FIG. 2 is a top view of the tumbler.

FIG. 3 is a bottom view of the tumbler.

FIG. 4 is a side view of the tumbler; and,

FIG. 5 is a right side view of the tumbler.

1 Claim, 2 Drawing Sheets



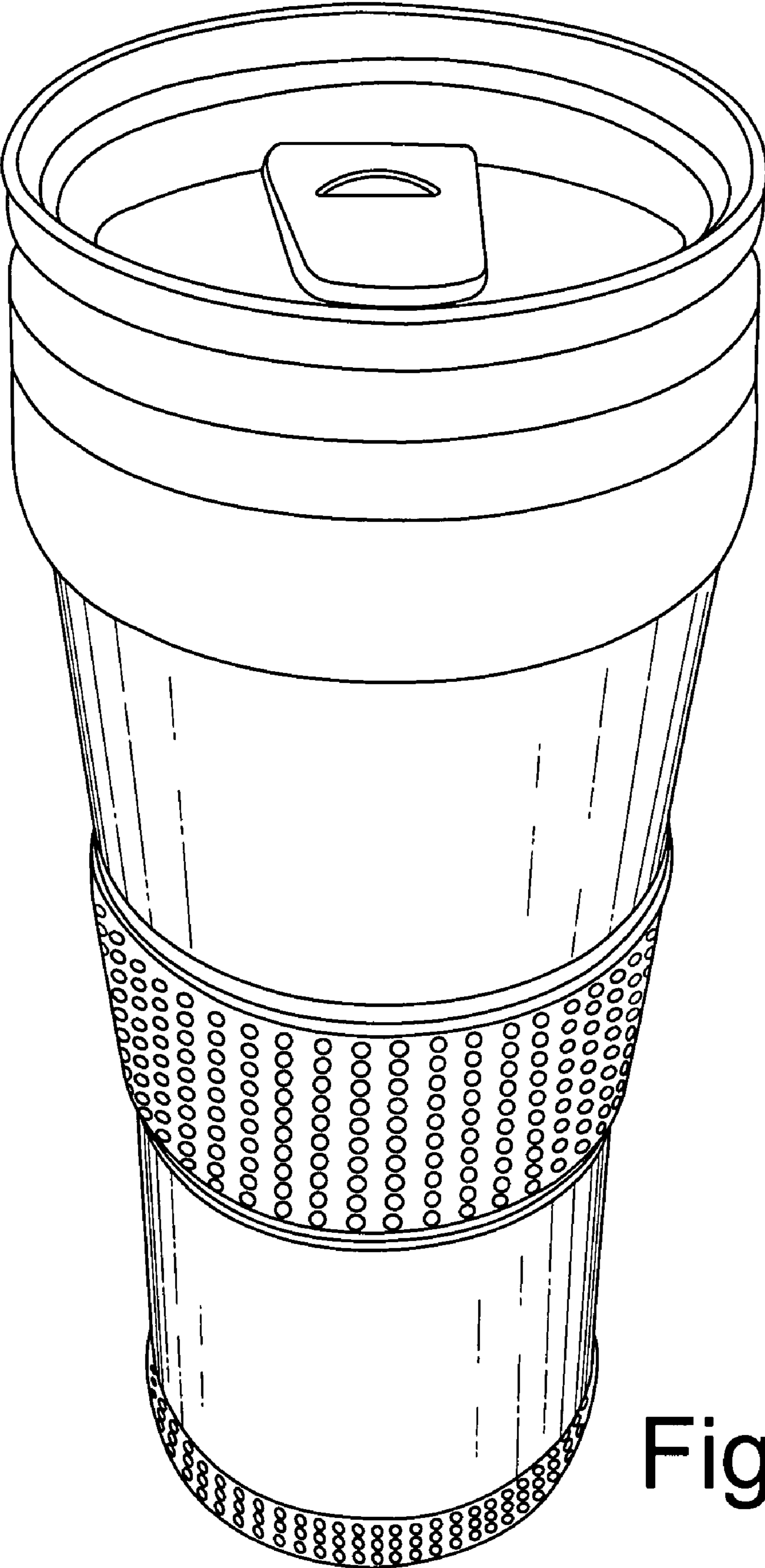


Fig. 1

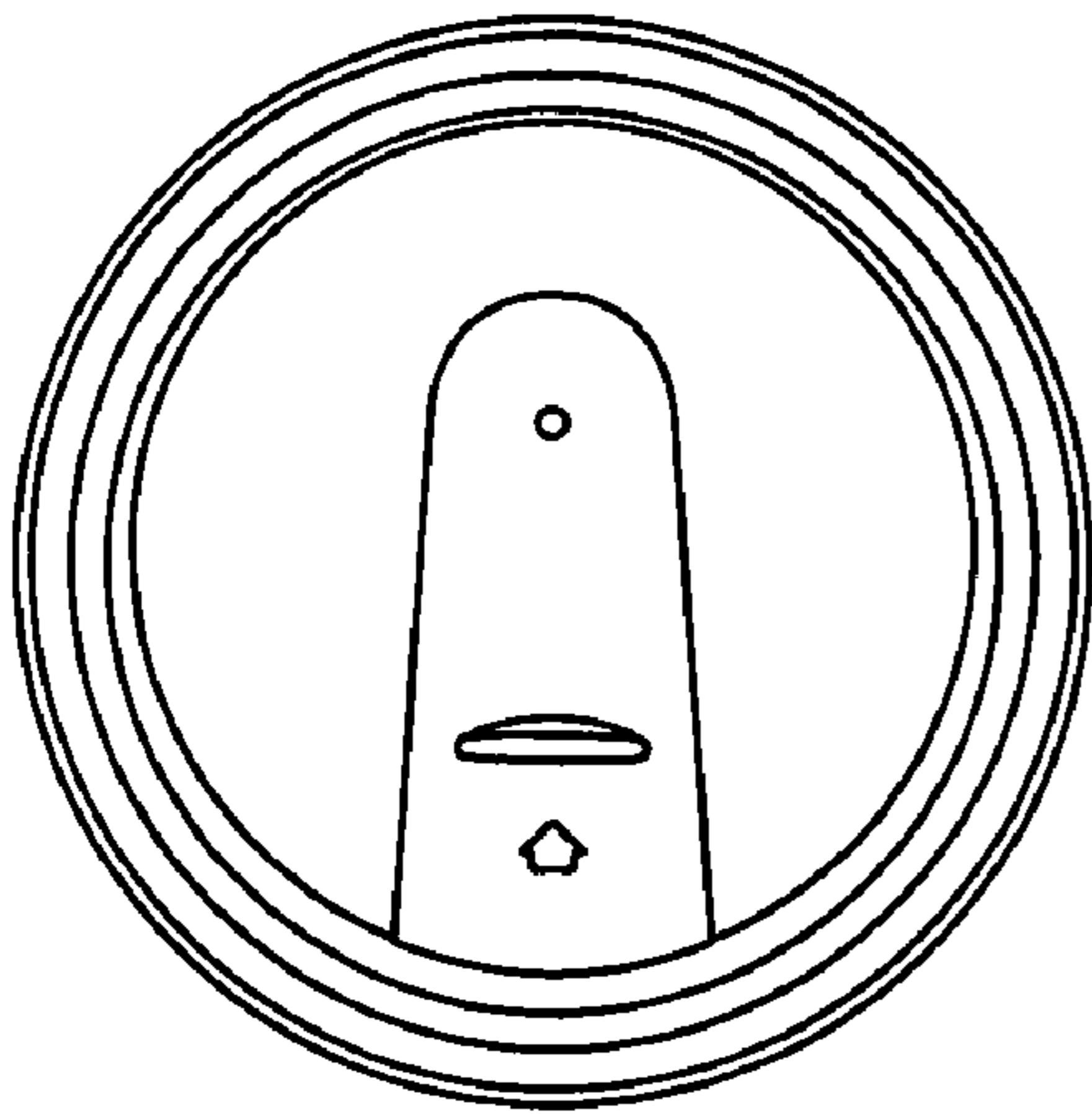


Fig. 2

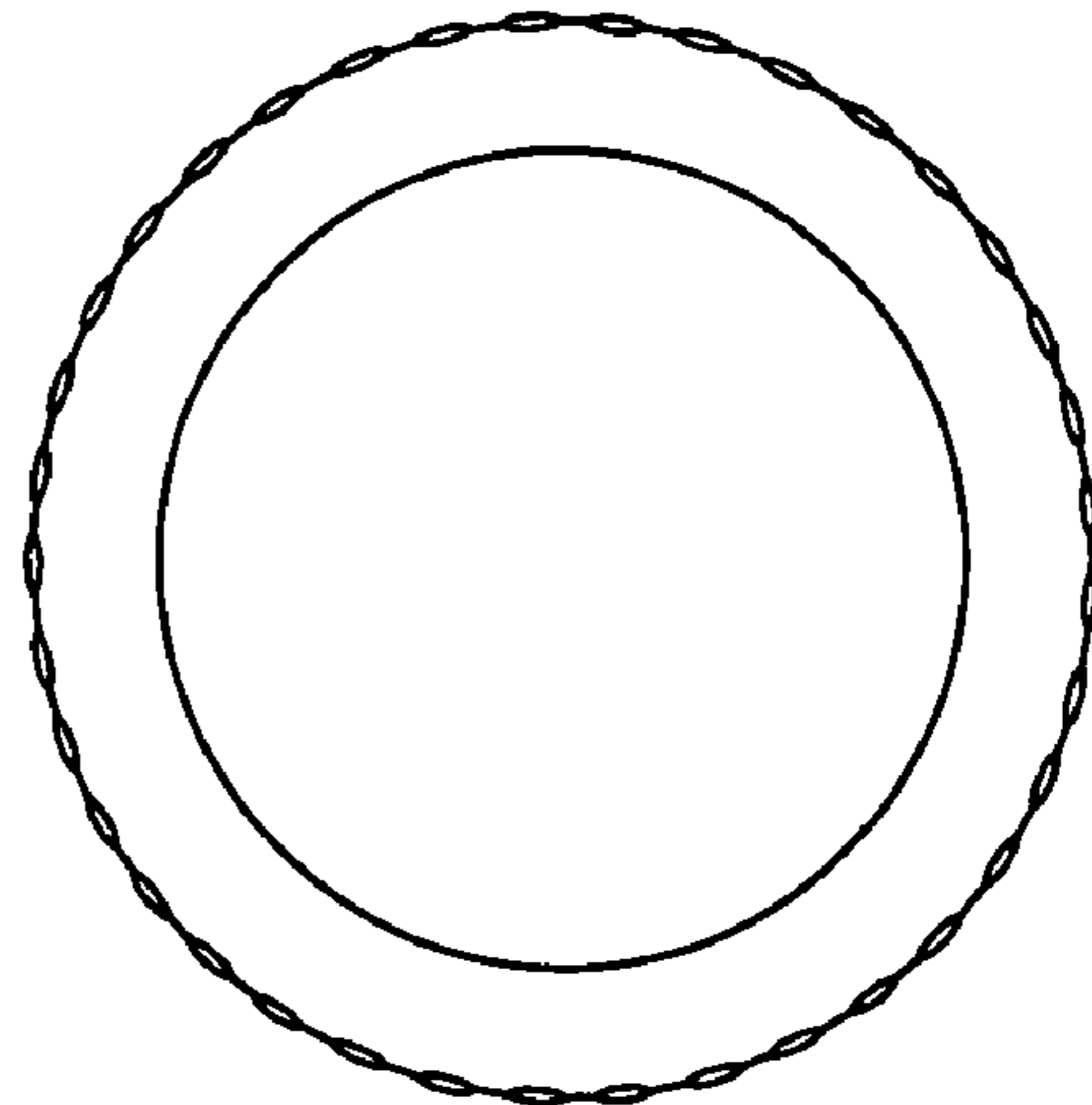


Fig. 3

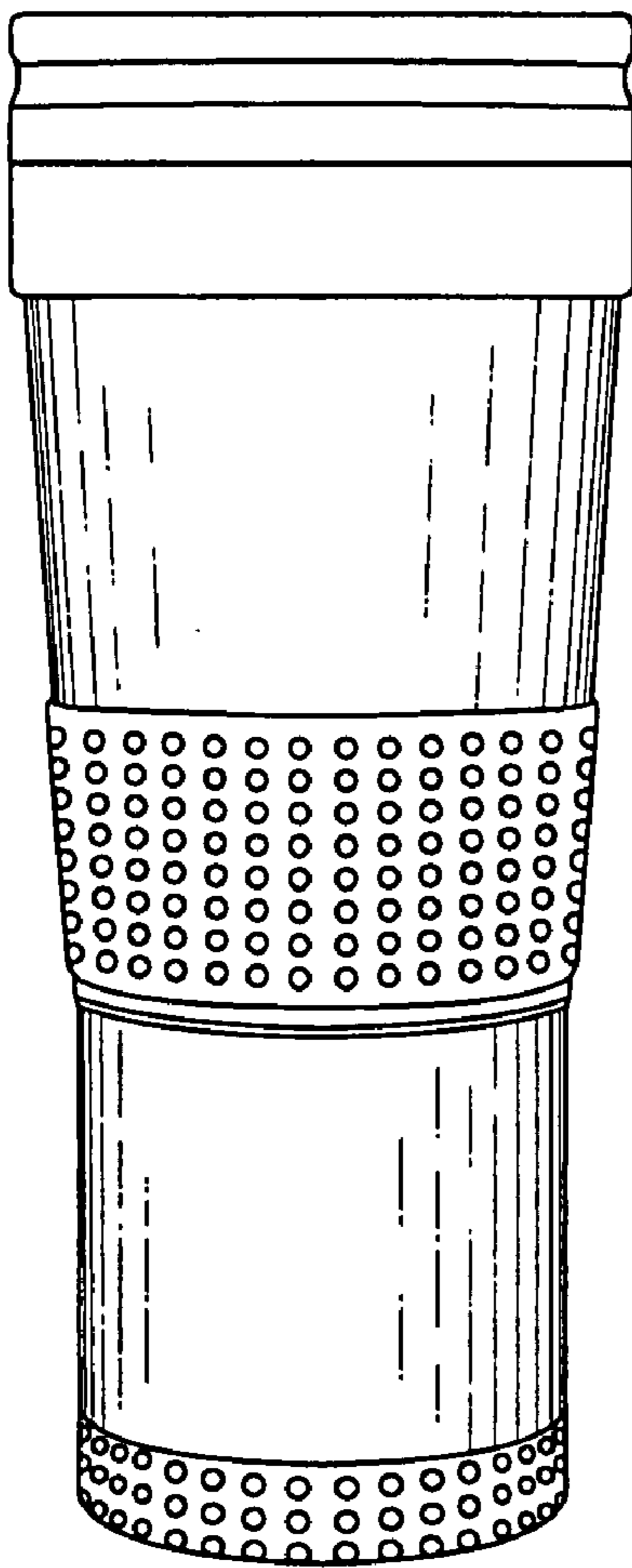


Fig. 4

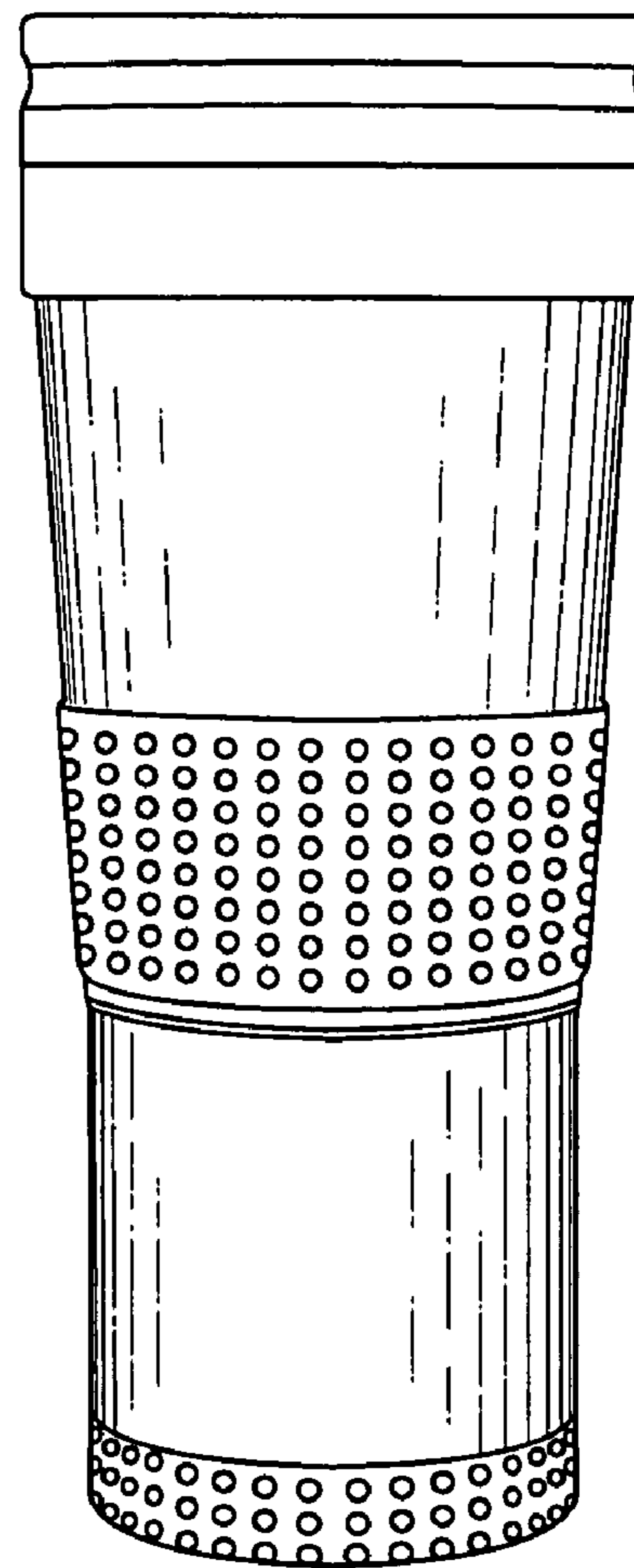


Fig. 5