



US00D548007S

(12) **United States Design Patent**  
**Chung**

(10) **Patent No.:** **US D548,007 S**

(45) **Date of Patent:** **\*\* Aug. 7, 2007**

(54) **BURNER FOR BARBECUE GRILL**

(76) Inventor: **Kiosky Chung**, 8F-1, No.497,  
Jhongming S. Rd., West District,  
Taichung City 403 (TW)

(\*\*) Term: **14 Years**

(21) Appl. No.: **29/250,624**

(22) Filed: **Nov. 23, 2006**

(51) **LOC (8) Cl.** ..... **07-02**

(52) **U.S. Cl.** ..... **D7/407**

(58) **Field of Classification Search** ..... D7/136,  
D7/402, 407; D23/129, 386, 415, 418; 126/39 E,  
126/39 J, 39 R, 25 R, 41 R; 431/264, 266,  
431/354; 239/533.3

See application file for complete search history.

(56) **References Cited**

**U.S. PATENT DOCUMENTS**

D255,314 S *	6/1980	Huff	.....	D7/407
4,478,205 A *	10/1984	Koziol	.....	126/25 R
4,485,972 A *	12/1984	Freber	.....	239/553.3
4,679,544 A *	7/1987	Koziol	.....	126/41 R
4,919,116 A *	4/1990	Pfefferkorn	.....	126/41 R
5,111,803 A *	5/1992	Barker et al.	.....	126/41 R
5,249,958 A *	10/1993	Freber	.....	431/354
D368,829 S *	4/1996	Giebel et al.	.....	D7/407

D369,720 S *	5/1996	Giebel et al.	.....	D7/407
5,711,663 A *	1/1998	Giebel et al.	.....	431/354
6,102,029 A *	8/2000	Stephen et al.	.....	126/41 R
D470,721 S *	2/2003	Home	.....	D7/407
D534,767 S *	1/2007	Tseng	.....	D7/407

\* cited by examiner

*Primary Examiner*—Louis Zarfaz

*Assistant Examiner*—Mark Cavanna

(74) *Attorney, Agent, or Firm*—Banger Shia

(57) **CLAIM**

I claim the ornamental design for a burner for barbecue grill, as shown and described.

**DESCRIPTION**

FIG. 1 is a perspective view of a burner for barbecue grill, showing my new design;

FIG. 2 is a front elevational view thereof;

FIG. 3 is a rear elevational view thereof;

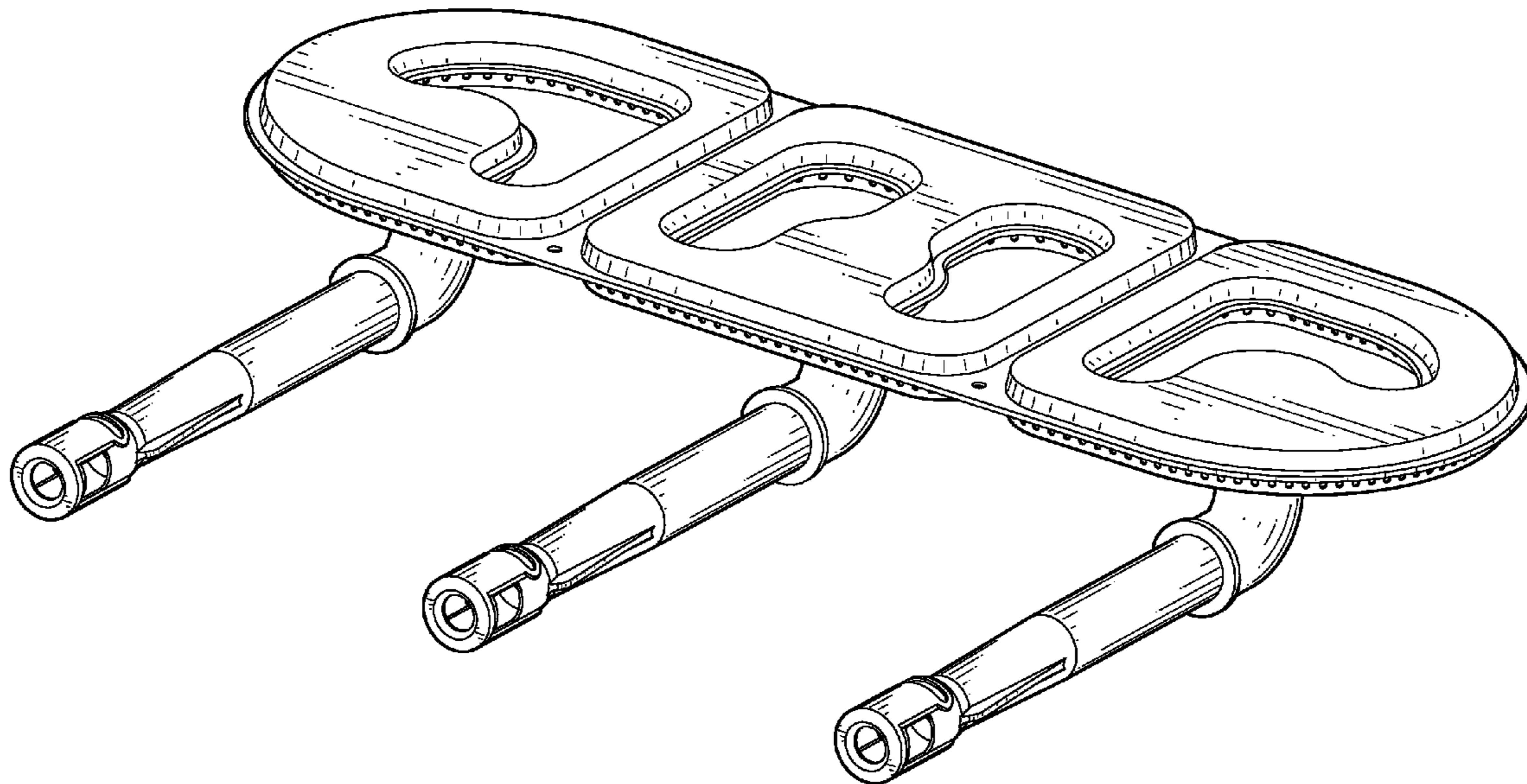
FIG. 4 is a left side elevational view thereof;

FIG. 5 is a right side elevational view thereof;

FIG. 6 is a top plan view thereof; and,

FIG. 7 is a bottom plan view thereof.

**1 Claim, 7 Drawing Sheets**



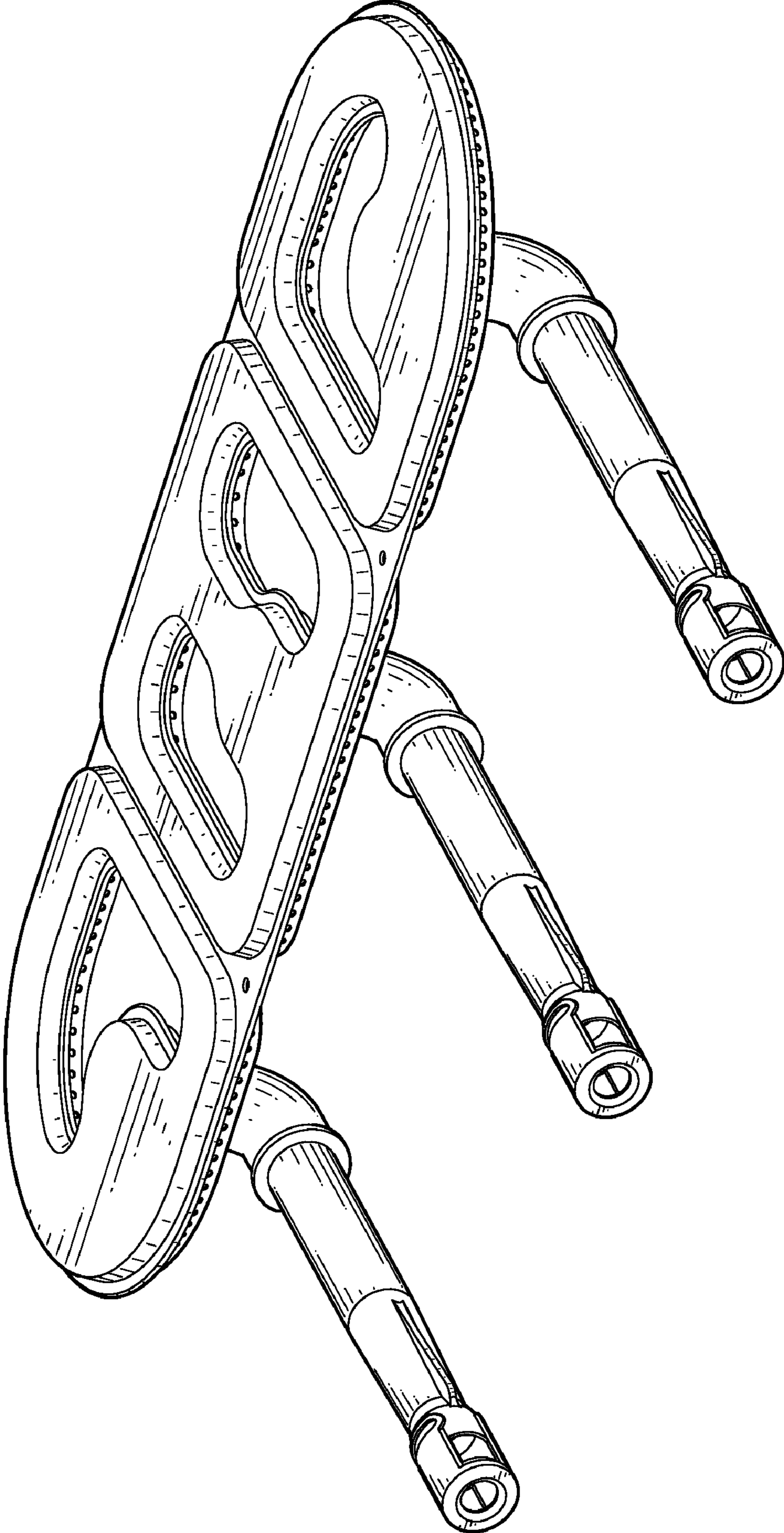


FIG. 1

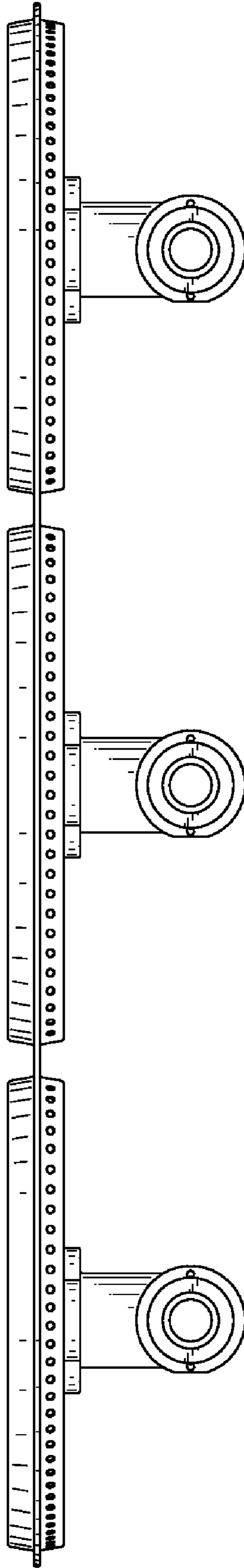


FIG. 2

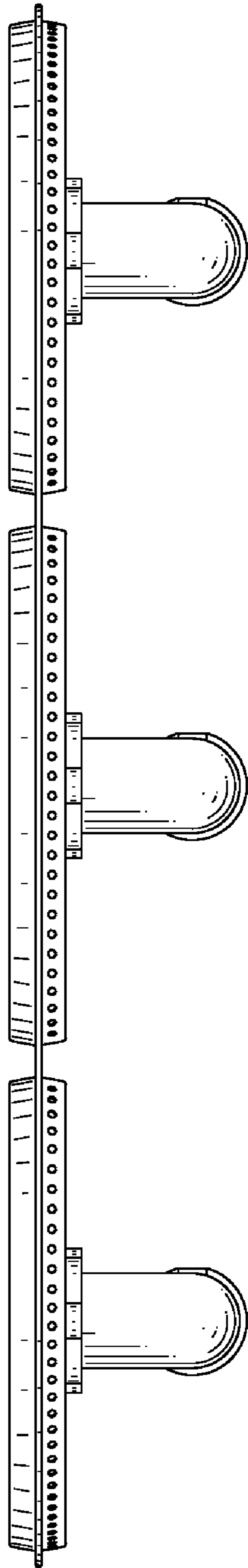


FIG. 3

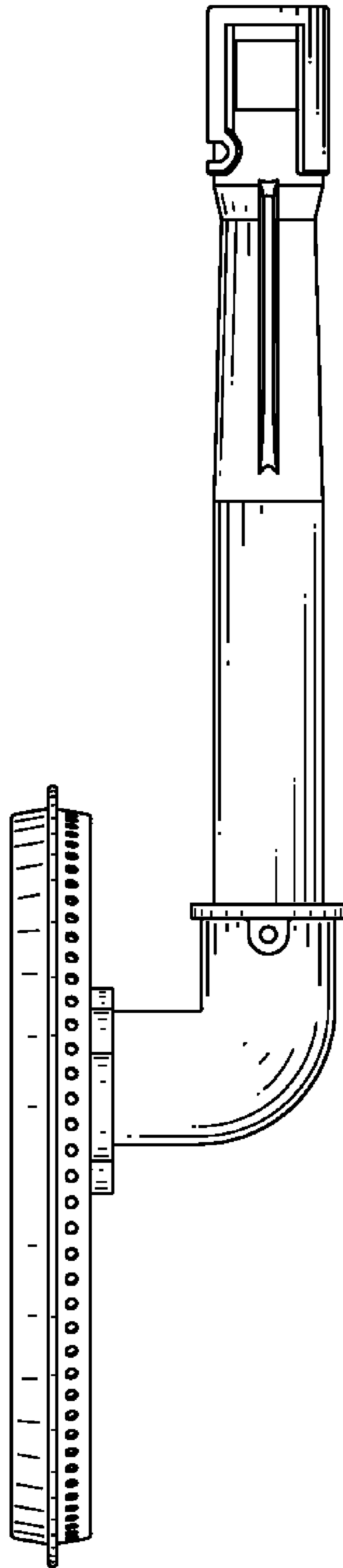


FIG. 4

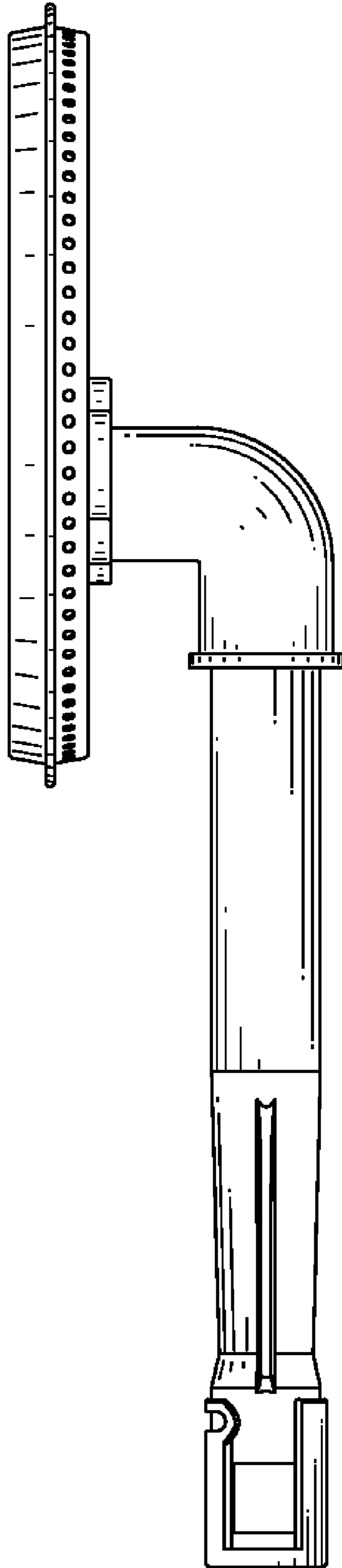


FIG. 5

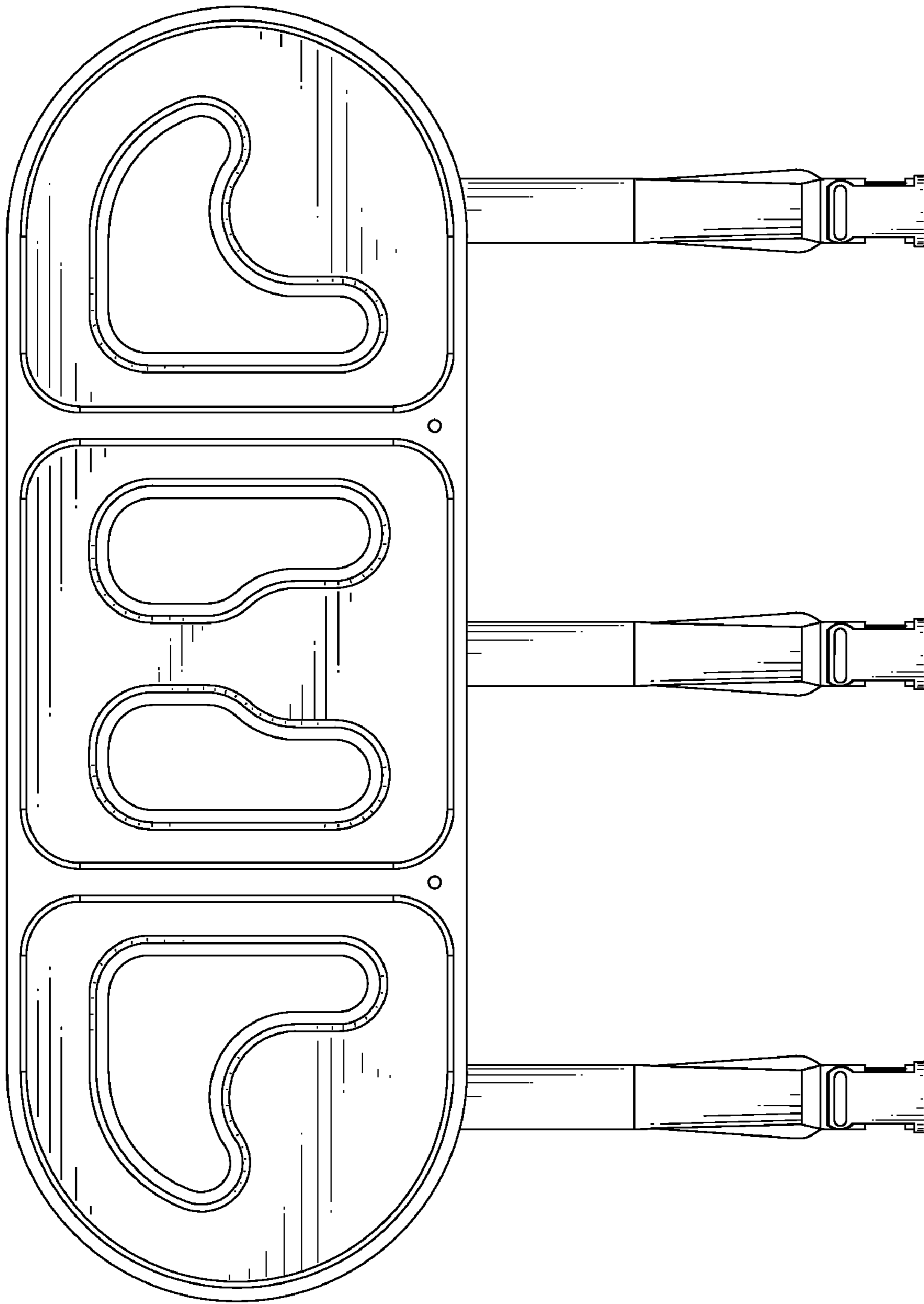


FIG. 6

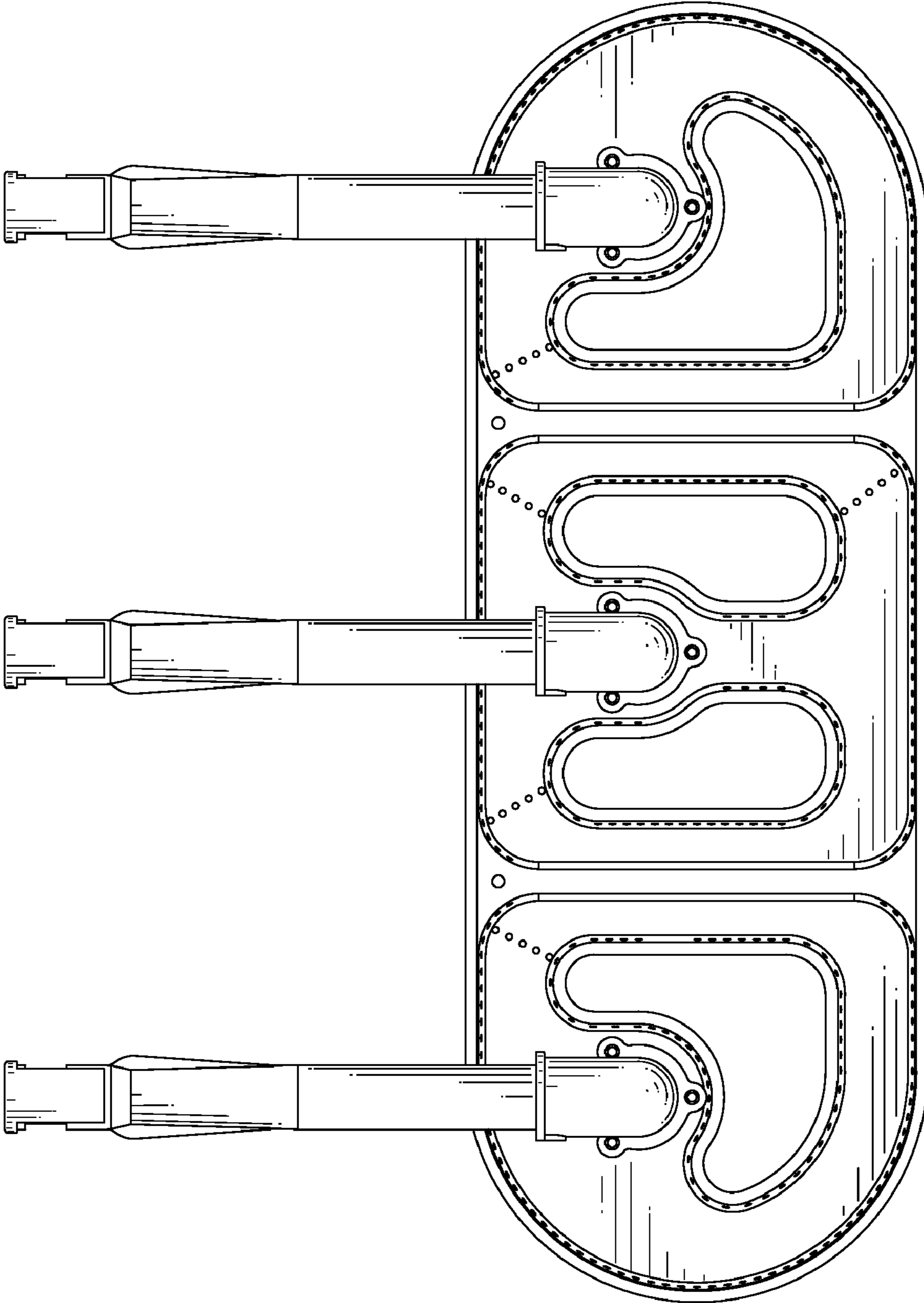


FIG. 7