

US00D548005S

(12) **United States Design Patent**
Curtin

(10) **Patent No.:** **US D548,005 S**

(45) **Date of Patent:** **** Aug. 7, 2007**

(54) **EXPANDING FOOD COVER**

(75) Inventor: **Heather Curtin**, Renton, WA (US)

(73) Assignee: **Progressive International Corp.**, Kent, WA (US)

(**) Term: **14 Years**

(21) Appl. No.: **29/248,774**

(22) Filed: **Aug. 31, 2006**

(51) **LOC (8) Cl.** **07-02**

(52) **U.S. Cl.** **D7/392**

(58) **Field of Classification Search** D7/317-319, D7/323, 337, 347, 354-361, 387-392.1, 396.2, D7/402, 409, 501, 510-511, 538, 540-547, D7/550.1, 591, 597, 629; D9/429, 435, 443, D9/447-454, 503-504; D12/213; 99/324, 99/331, 339, 347, 357, 422-425; 165/47; 206/508-509; 219/448.13, 620-622, 725-733; 220/4.27, 369, 380, 523, 575, 780; 312/236
See application file for complete search history.

(56) **References Cited**

U.S. PATENT DOCUMENTS

D26,706 S * 3/1897 Eagle D7/391
D50,645 S * 4/1917 Brock D7/391
2,301,510 A * 11/1942 Bolen 312/236
3,470,944 A * 10/1969 Segal 165/47
D228,114 S * 8/1973 De La Rosa D7/542
4,197,940 A * 4/1980 DeRossett 220/780
D255,528 S * 6/1980 Seager D7/392.1

D416,436 S * 11/1999 Miller D7/391
D427,846 S * 7/2000 Hajwanie D7/391
D441,290 S * 5/2001 West D9/443
D477,178 S * 7/2003 Cornfield D7/391
D505,590 S * 5/2005 Greiner et al. D7/409
D526,840 S * 8/2006 Carlson D7/392.1

* cited by examiner

Primary Examiner—Cathron C. Brooks

Assistant Examiner—Ricky Pham

(74) *Attorney, Agent, or Firm*—Black Lowe & Graham, PLLC

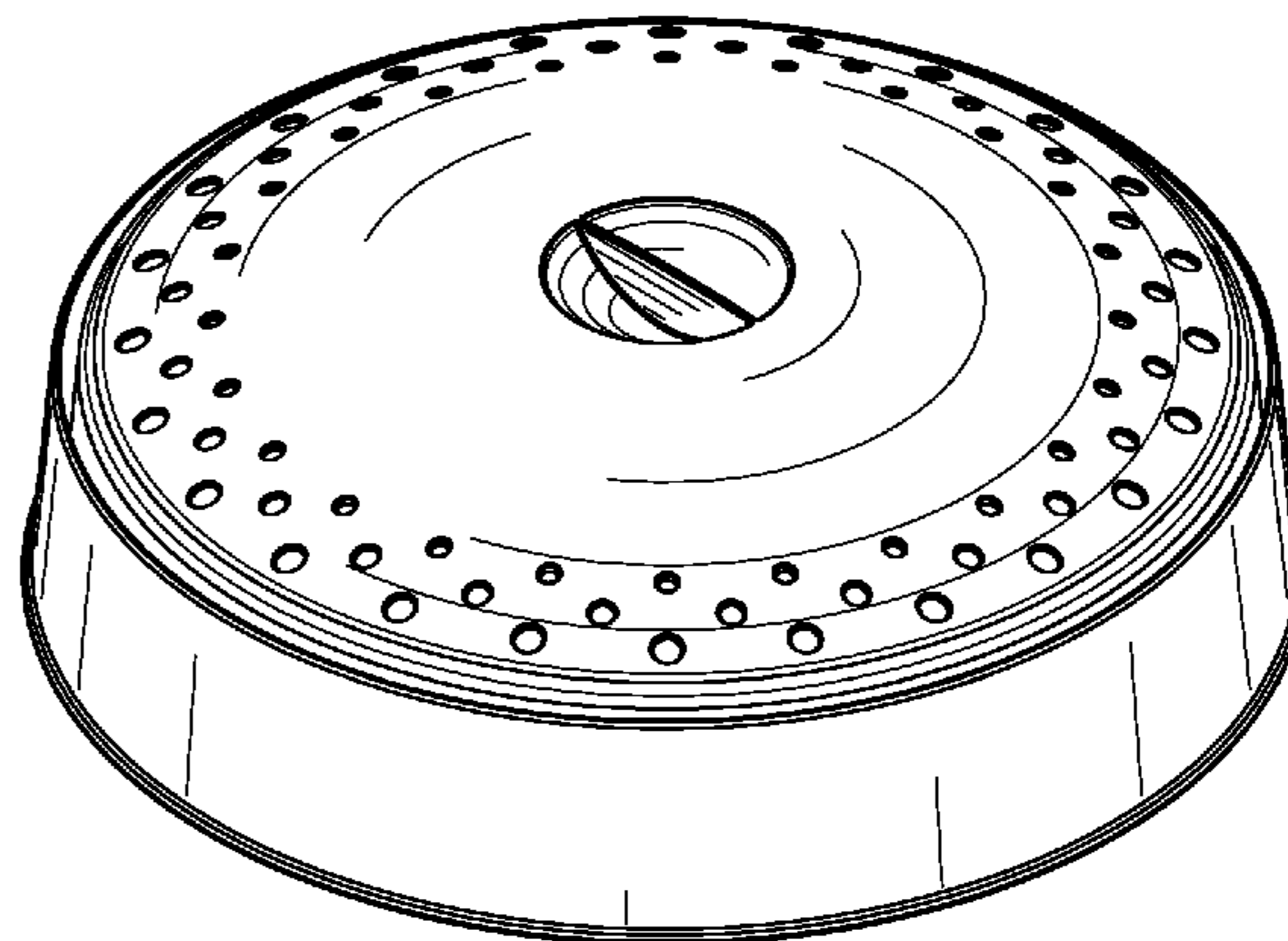
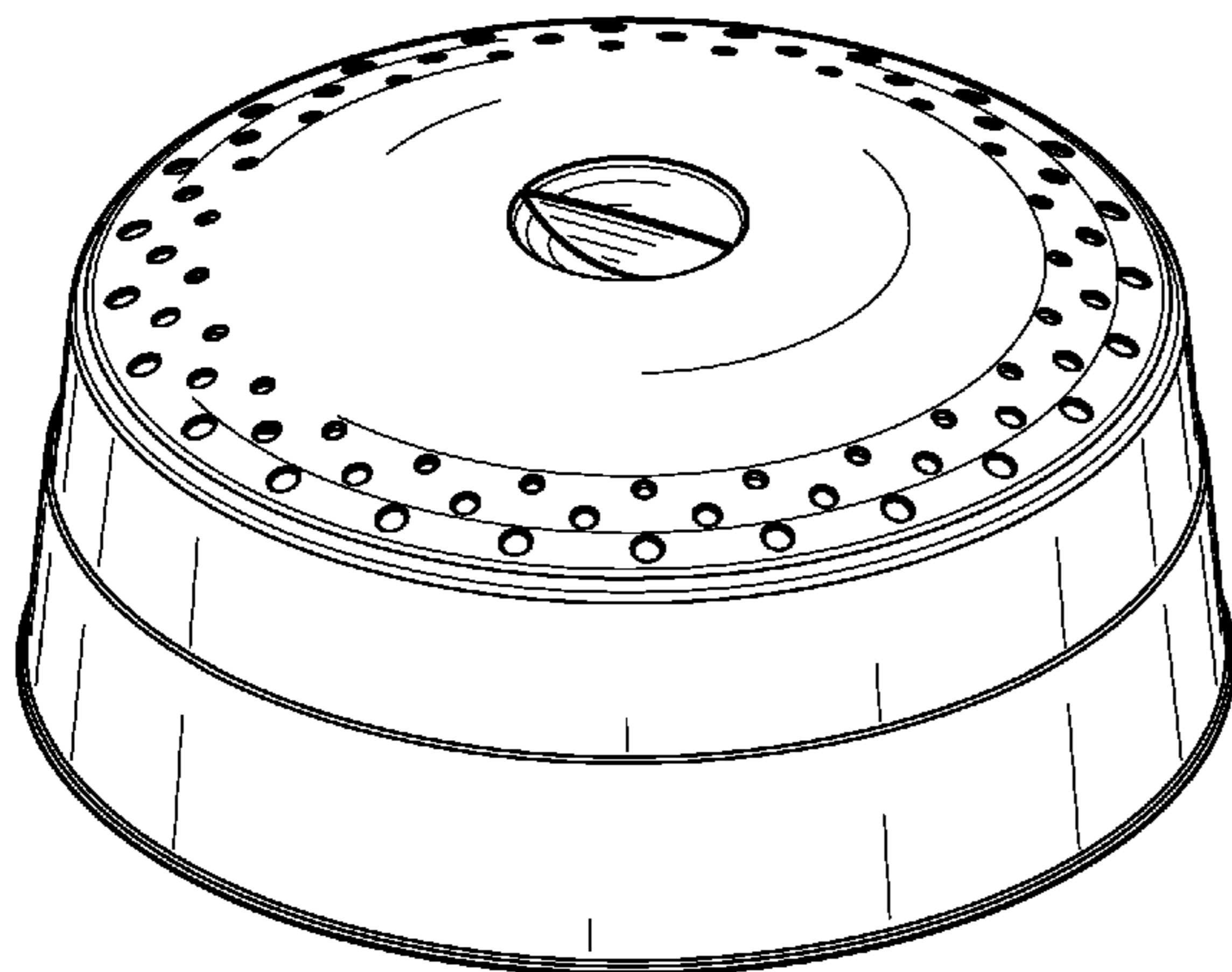
(57) **CLAIM**

I claim the ornamental design for the expanding food cover, as shown and described.

DESCRIPTION

FIG. 1 is a front view of the expanding food cover;
FIG. 2 is a top view of the expanding food cover;
FIG. 3 is a bottom view of the expanding food cover;
FIG. 4 is a back view of the expanding food cover;
FIG. 5 is a left side view of the expanding food cover;
FIG. 6 is a right side view of the expanding food cover;
FIG. 7 is a perspective view of the expanding food cover;
and,
FIG. 8 is a perspective view of the expanding food cover, shown in a collapsed position.

1 Claim, 4 Drawing Sheets



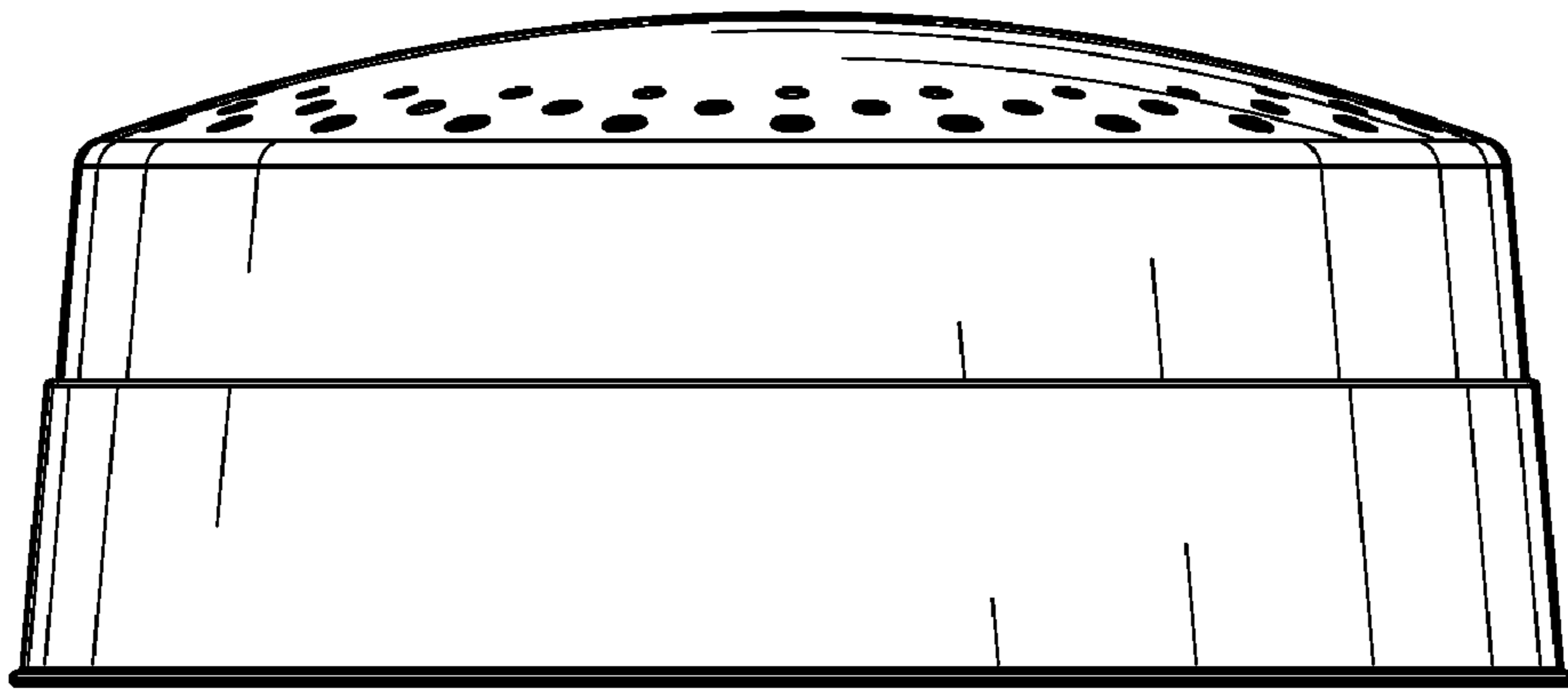


FIG. 1

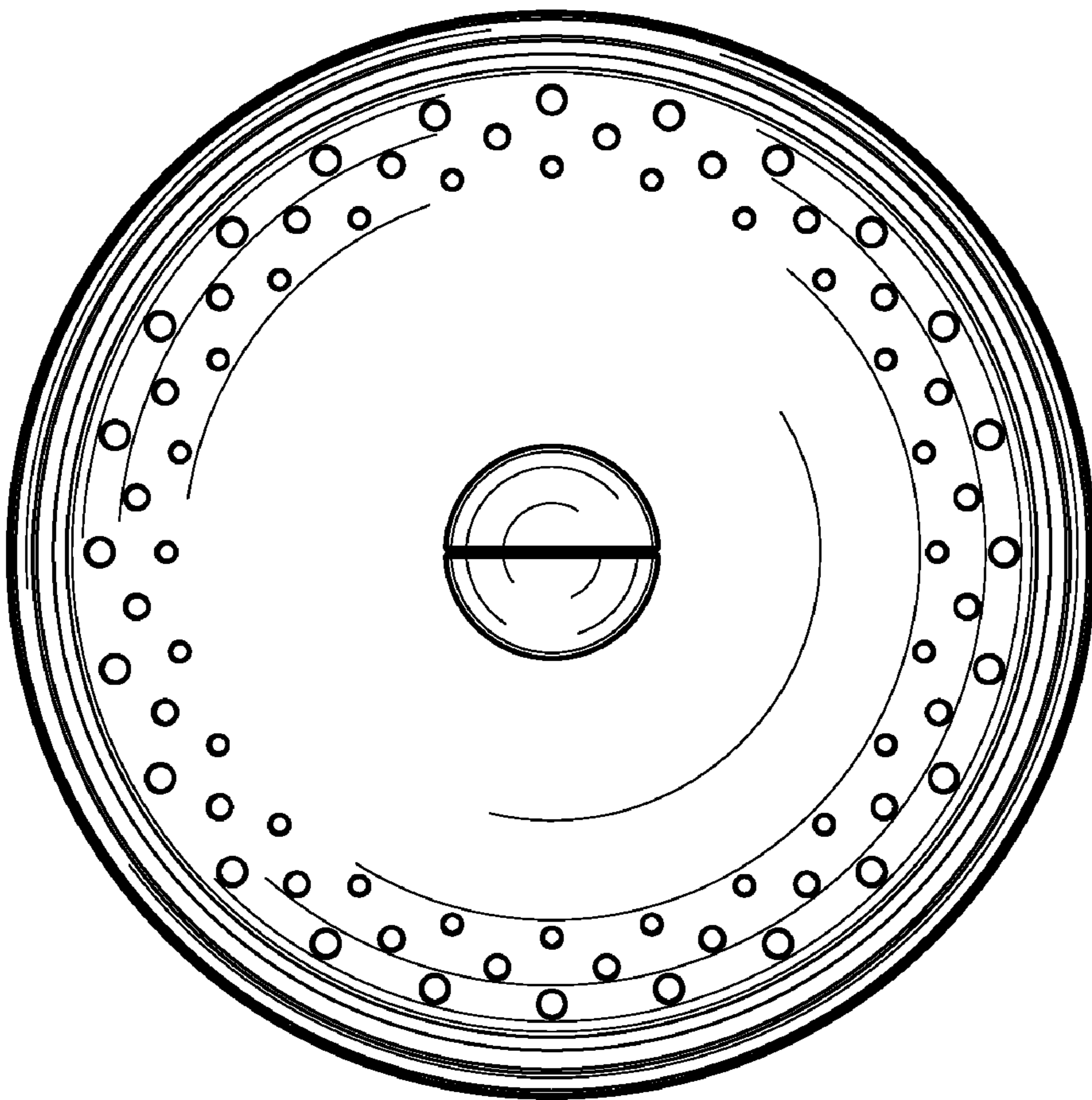


FIG. 2

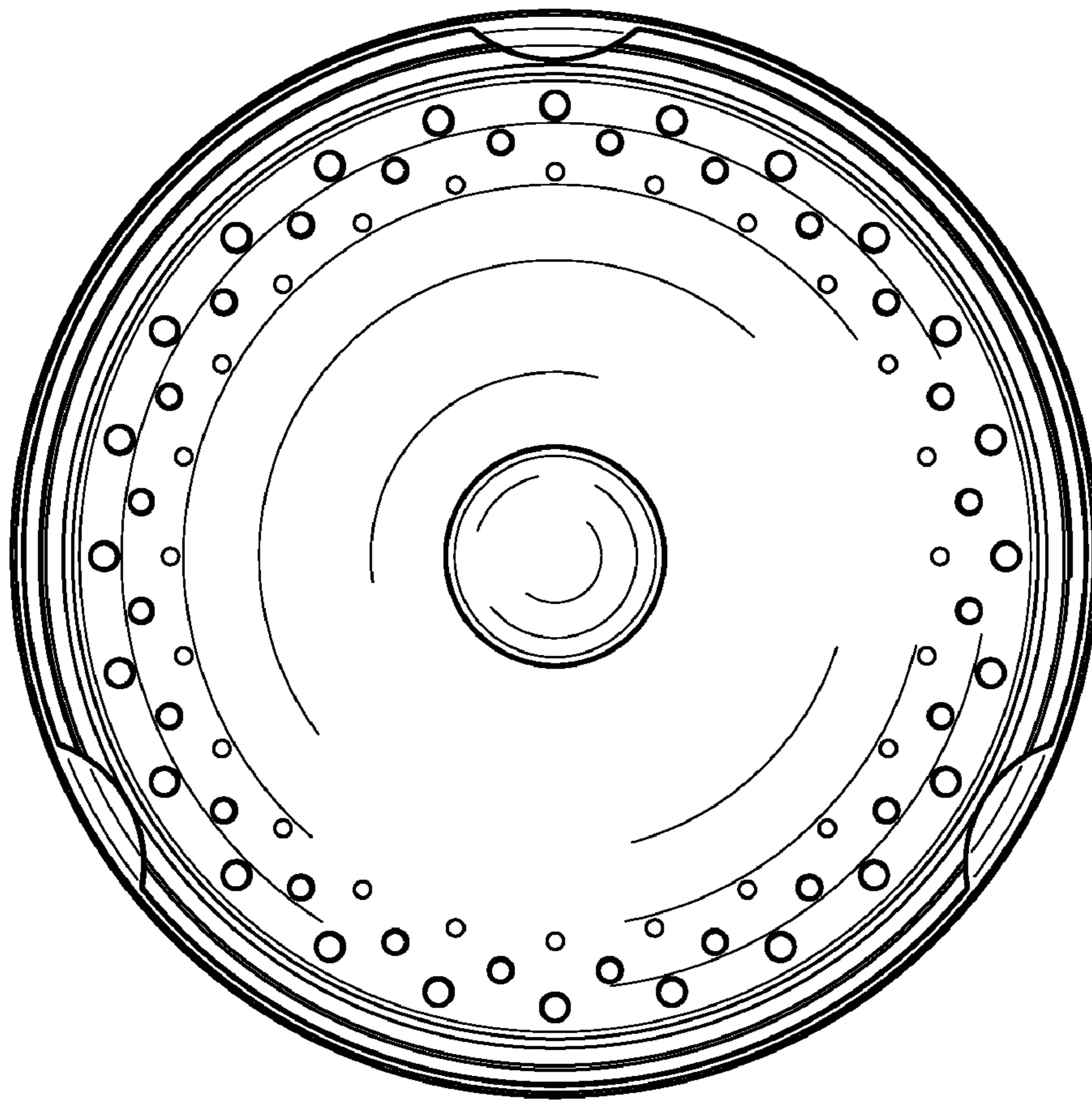


FIG. 3

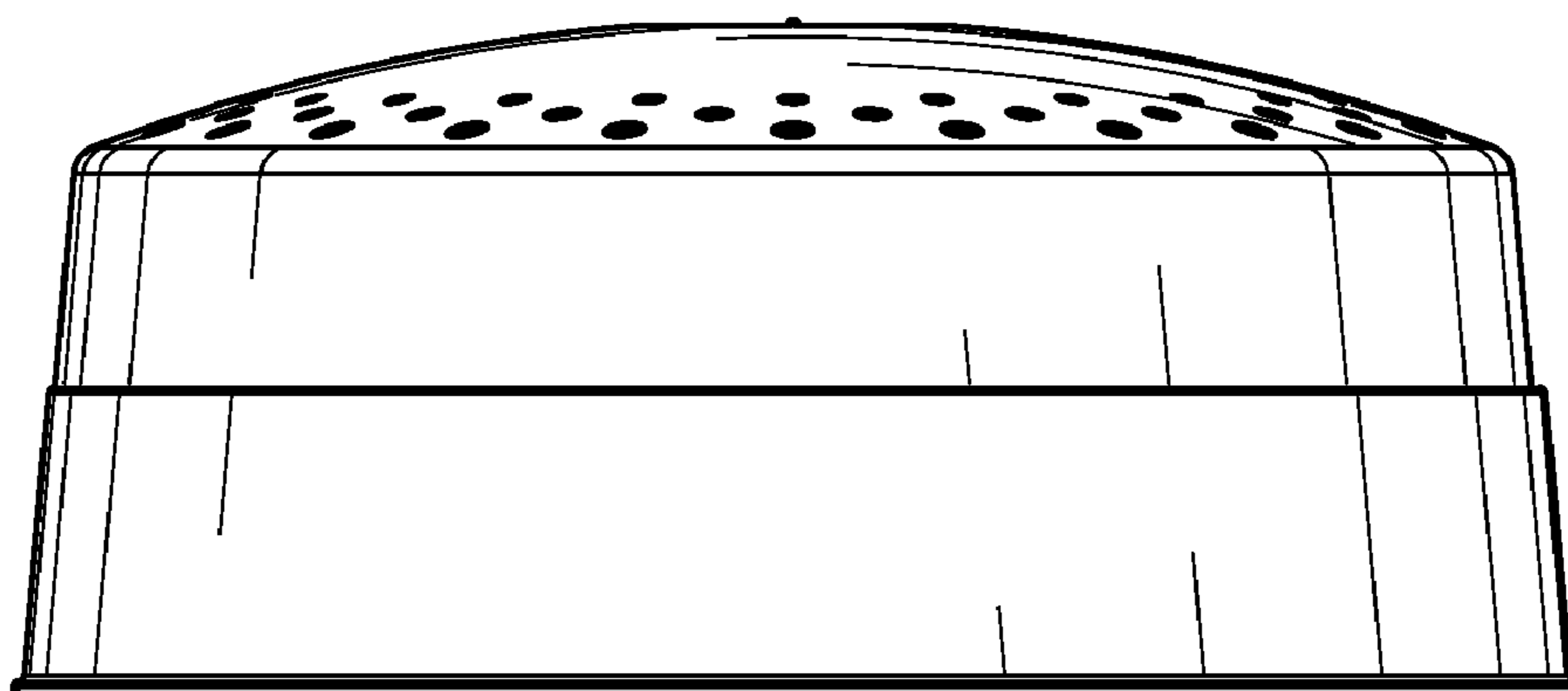


FIG. 4

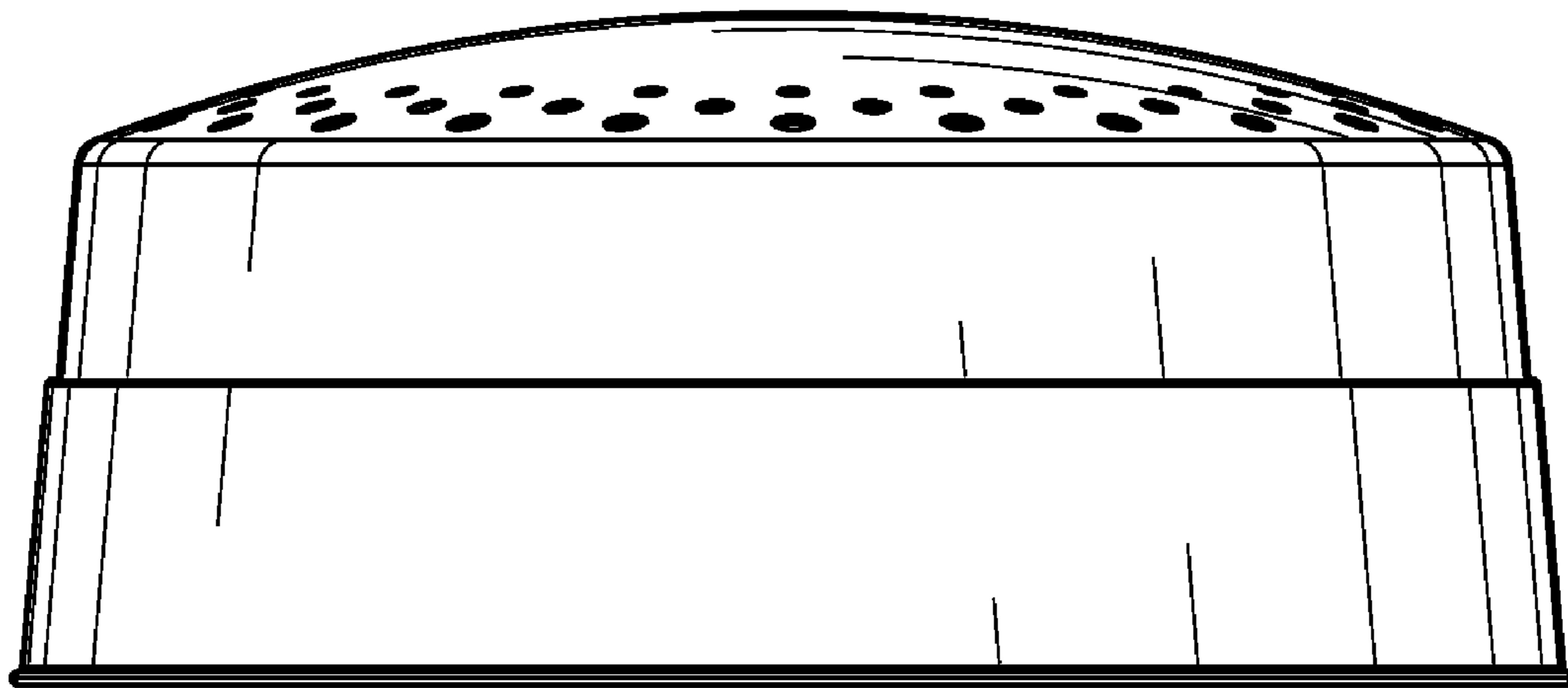


FIG. 5

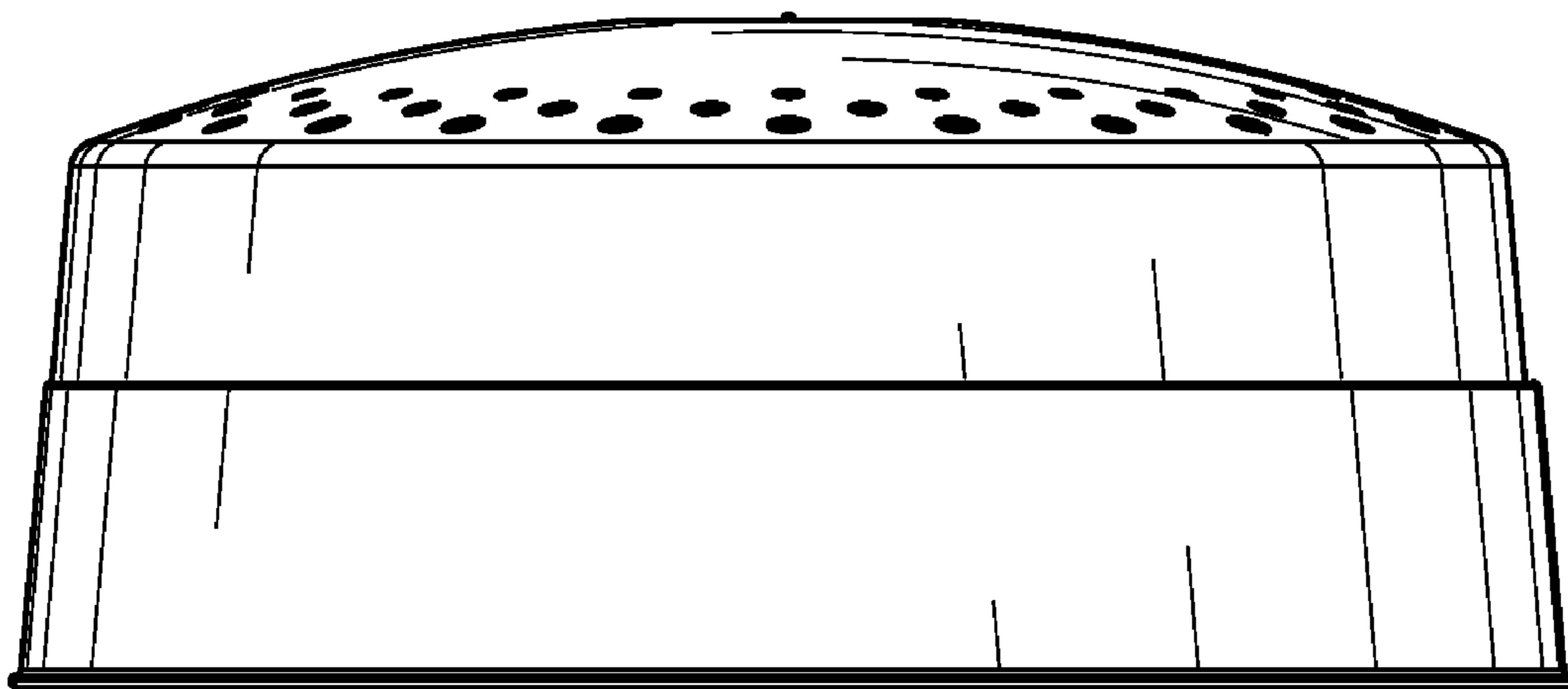


FIG. 6

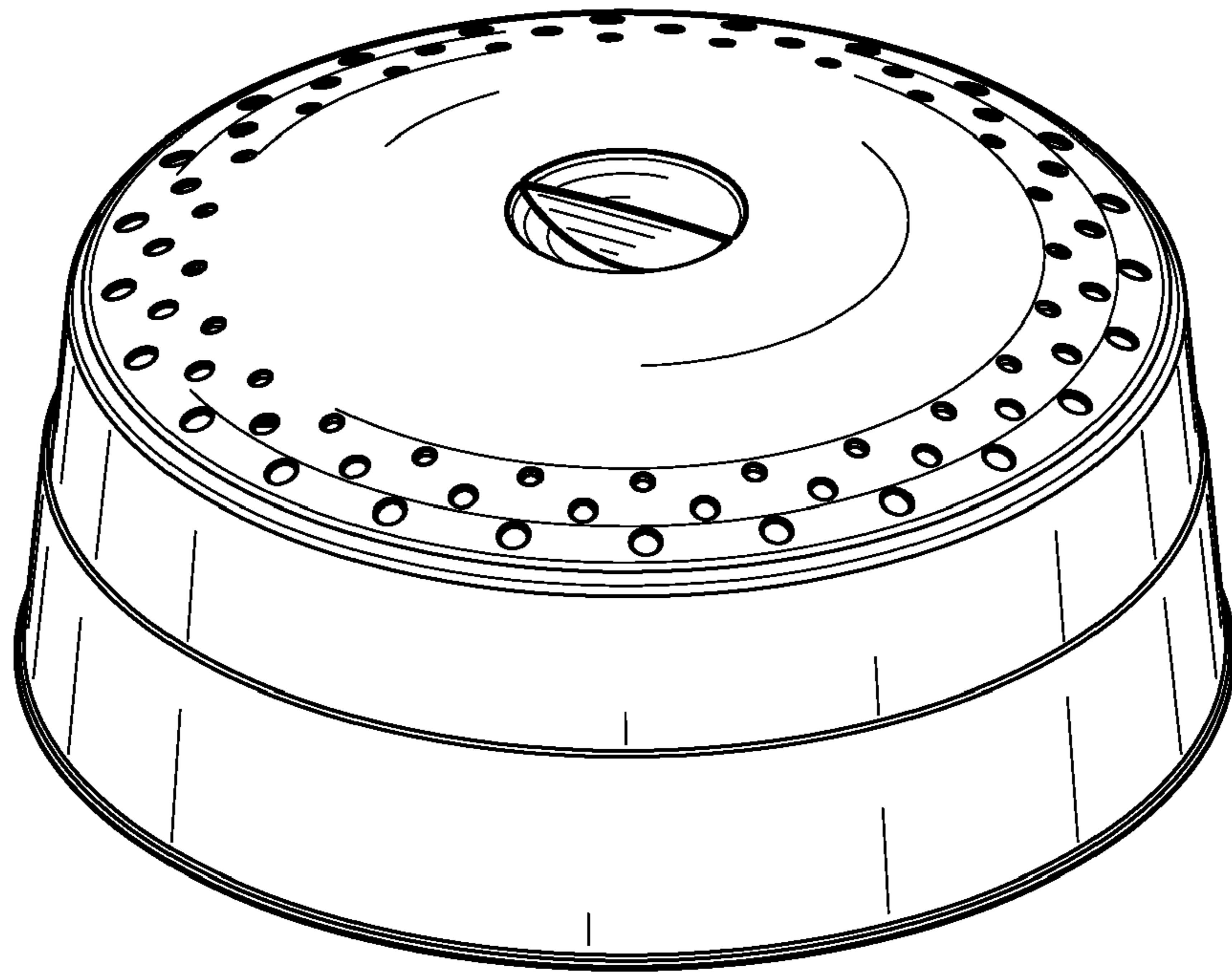


FIG. 7

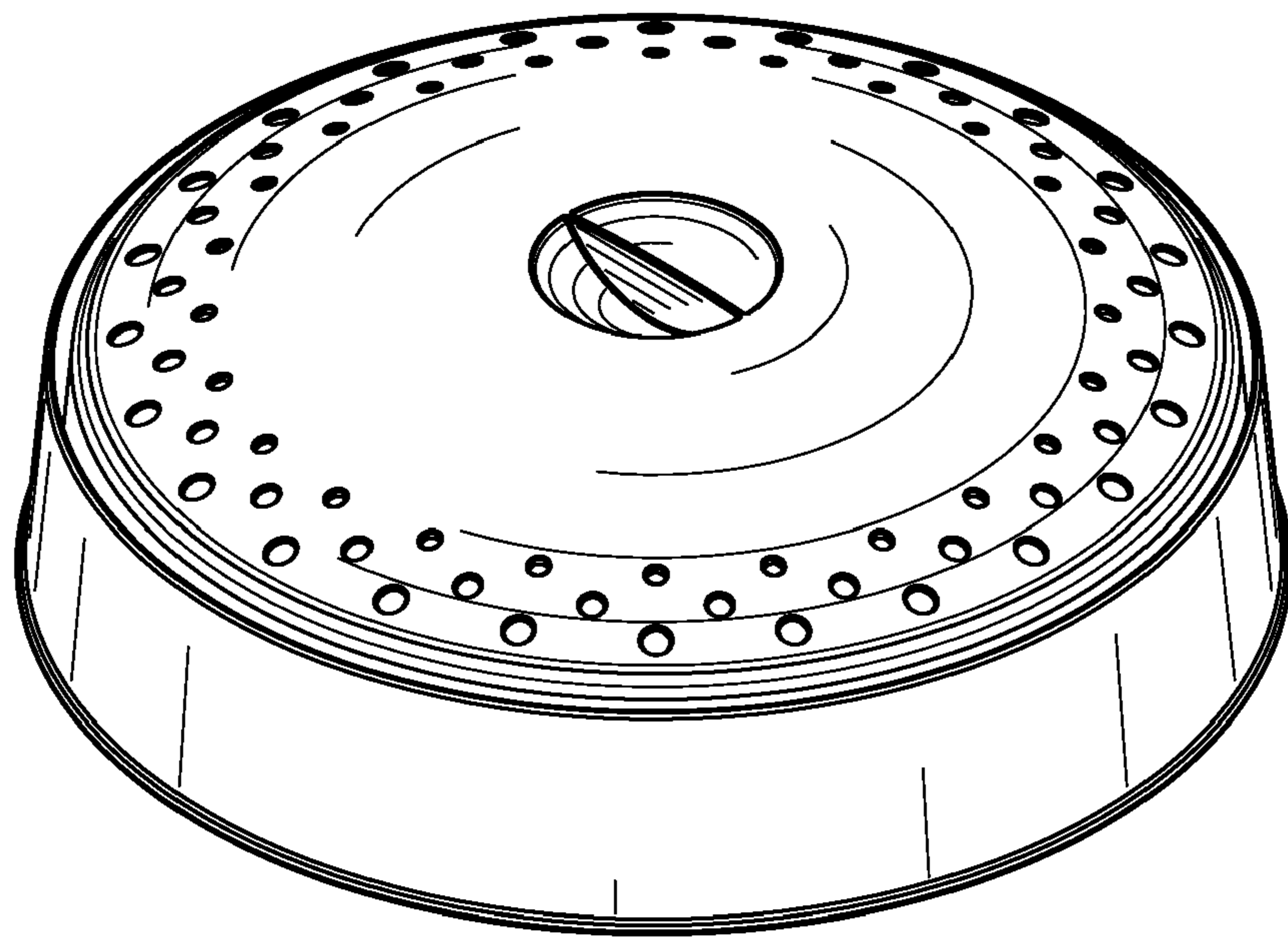


FIG. 8