

US00D548002S

(12) **United States Design Patent**
De'Longhi

(10) **Patent No.:** **US D548,002 S**

(45) **Date of Patent:** **** Aug. 7, 2007**

(54) **GRILL WITH TRANSPARENT COVER**

(75) Inventor: **Giuseppe De'Longhi**, Treviso (IT)

(73) Assignee: **De'Longhi S.p.A.**, Treviso (IT)

(**) Term: **14 Years**

(21) Appl. No.: **29/244,797**

(22) Filed: **Dec. 14, 2005**

(30) **Foreign Application Priority Data**

Jun. 17, 2005 (EM) 000361415

(51) **LOC (8) Cl.** **07-02**

(52) **U.S. Cl.** **D7/362**

(58) **Field of Classification Search** D7/355-357,
D7/360-367, 402-403, 550.1, 554.3, 554.4,
D7/558, 586-587, 305, 624.1, 624.2, 388,
D7/326, 332, 337; 126/33, 265, 275 E, 377.1;
219/428, 430, 439, 450.1, 465.1, 429, 432-433,
219/435, 521, 386, 622, 627; 99/339, 359,
99/325, 416, 422-423, 425, 447, 448, 467,
99/483

See application file for complete search history.

(56) **References Cited**

U.S. PATENT DOCUMENTS

D321,625 S * 11/1991 Dobson et al. D7/360

D366,592 S * 1/1996 Cesaroni et al. D7/360
D437,183 S * 2/2001 Wong et al. D7/362
D444,667 S * 7/2001 Wong et al. D7/362
D505,045 S * 5/2005 Assmann D7/367
D515,350 S * 2/2006 Anderson D7/363

* cited by examiner

Primary Examiner—Ruth McInroy

(74) *Attorney, Agent, or Firm*—Andrew Wilford

(57) **CLAIM**

The ornamental design for a grill with transparent cover, as shown and described.

DESCRIPTION

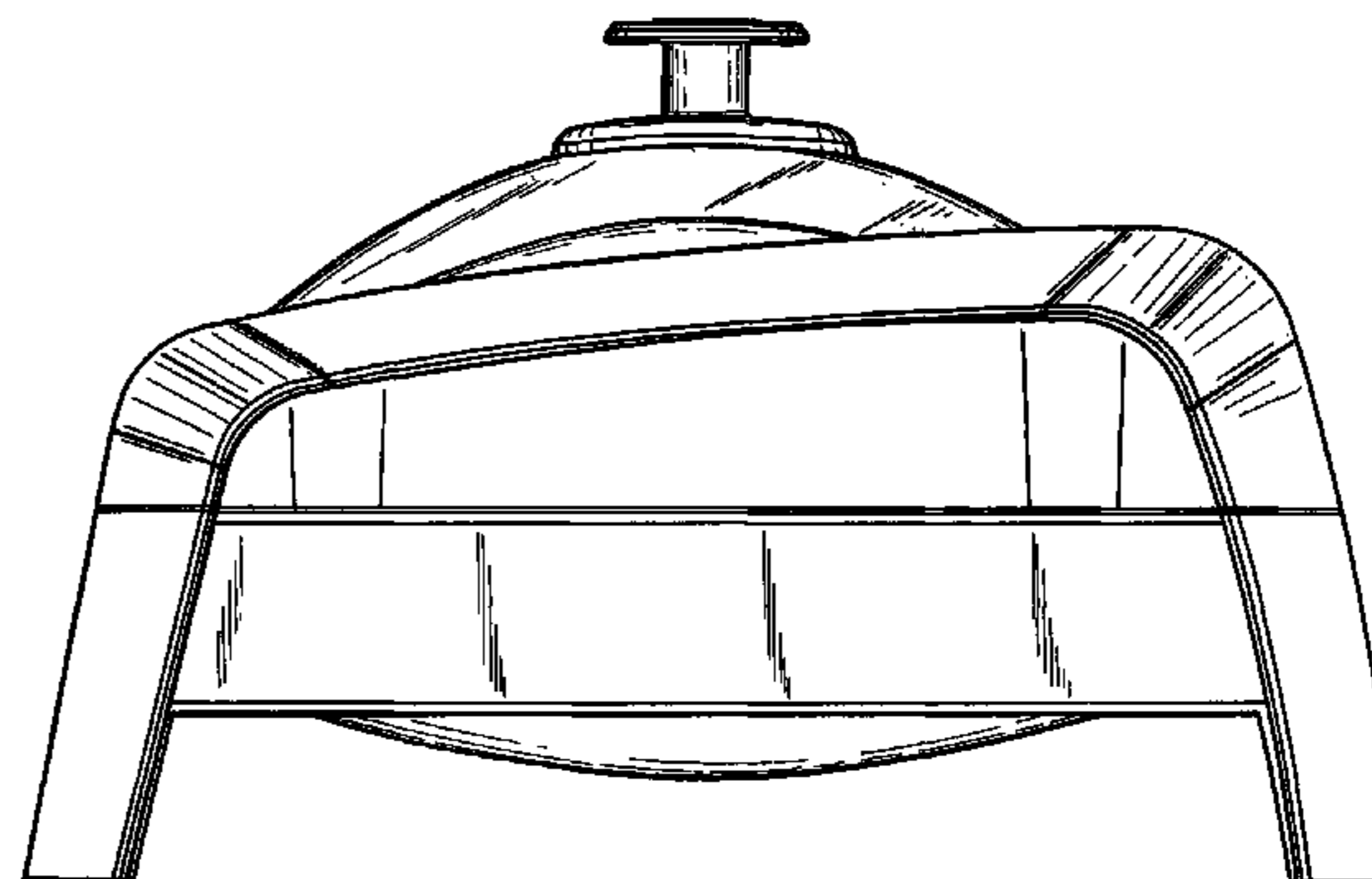
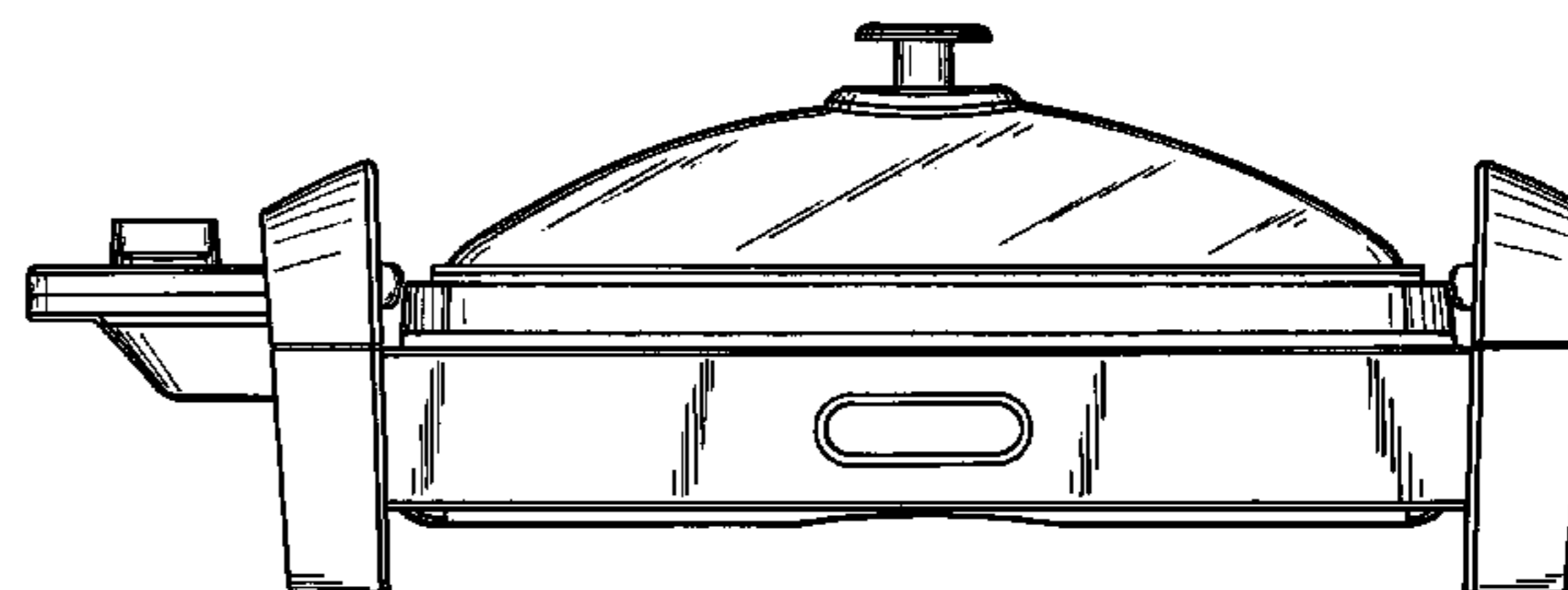
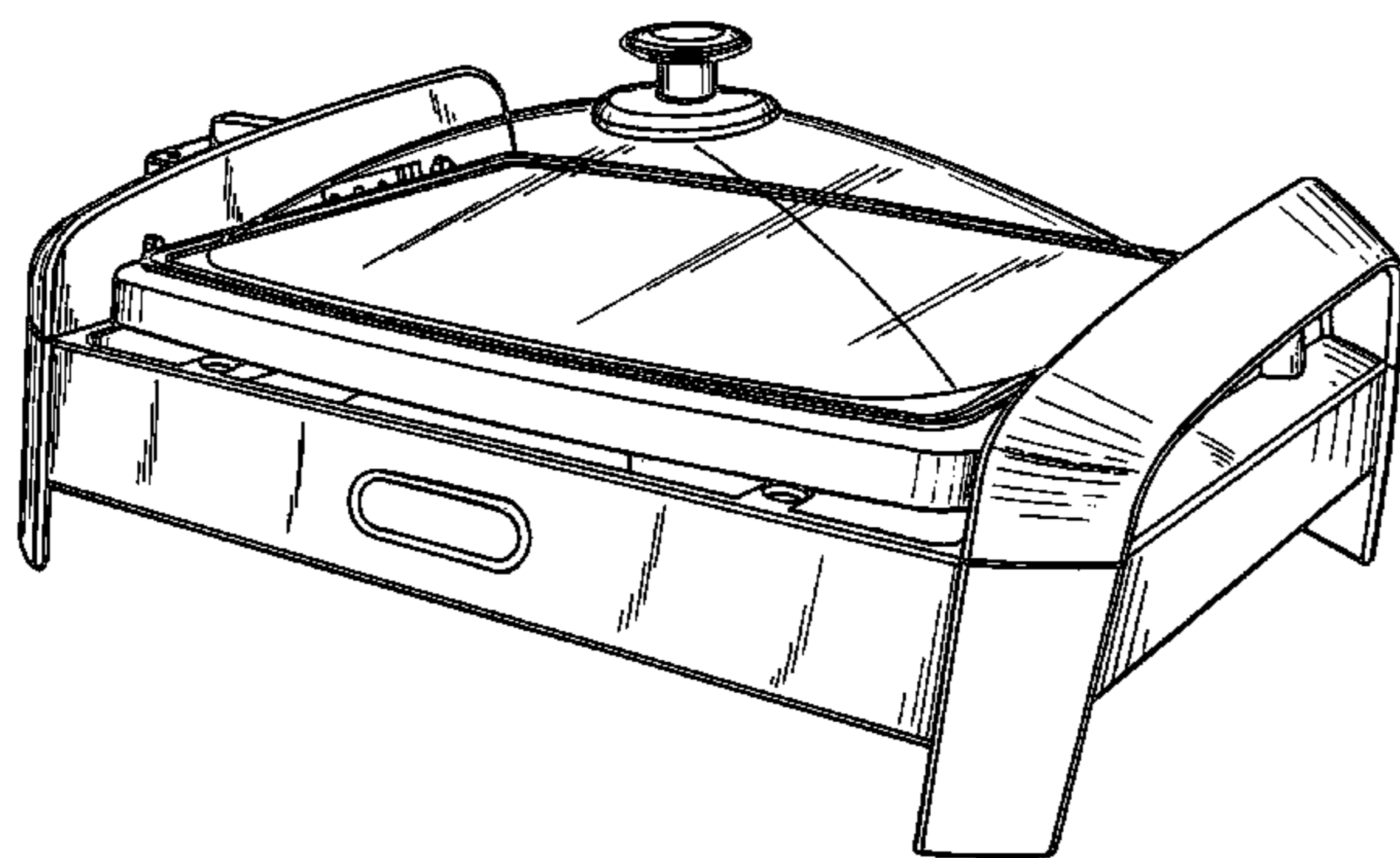
FIG. 1 is a top, front, right-side perspective view of a grill with transparent cover showing my new design;

FIG. 2 is a front elevational view thereof;

FIG. 3 is a right side elevational view thereof, the left side elevational view being mirror symmetrical thereto except for an electrical connector provided thereon; and,

FIG. 4 is a top plan view thereof.

1 Claim, 4 Drawing Sheets



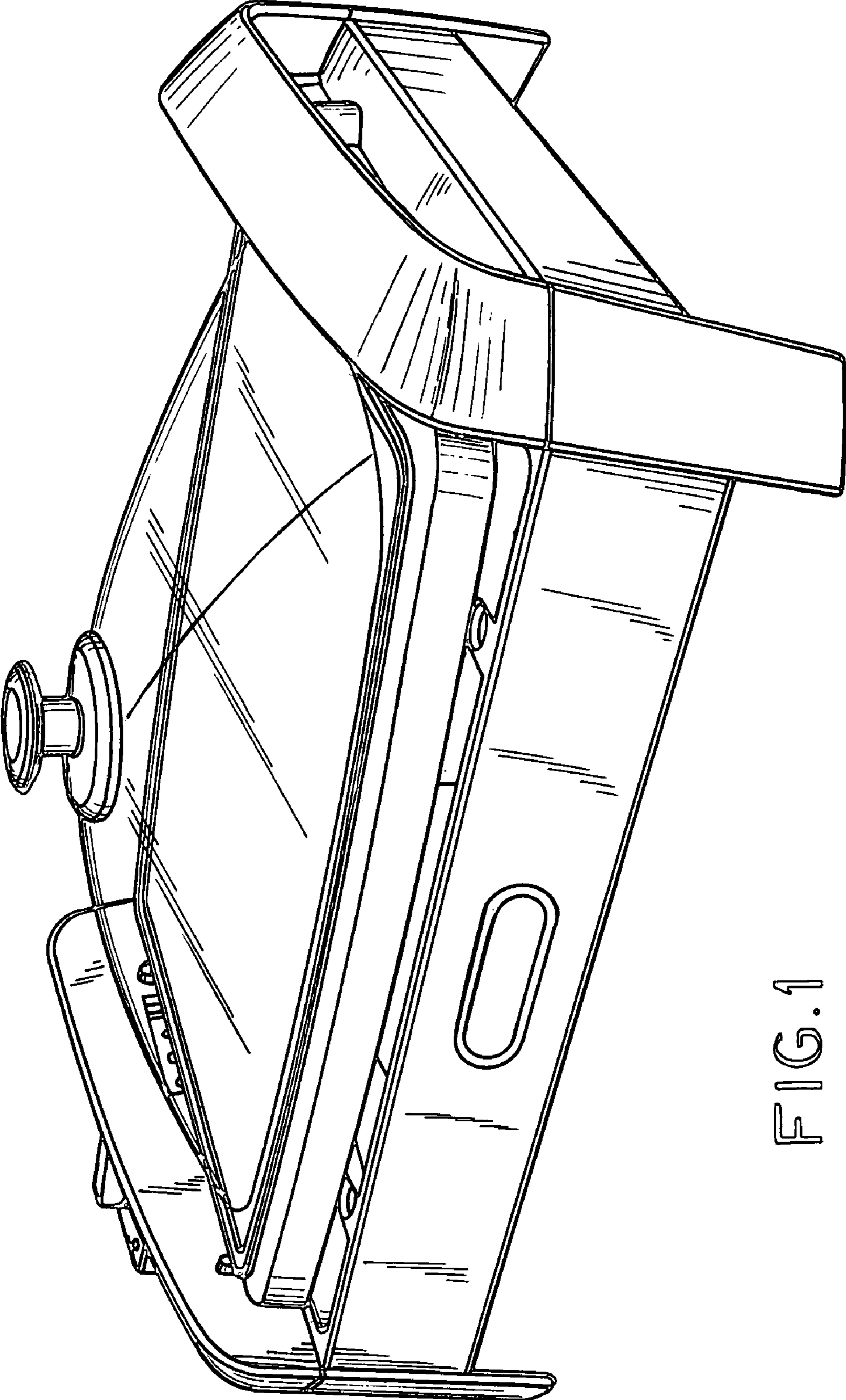


FIG.1

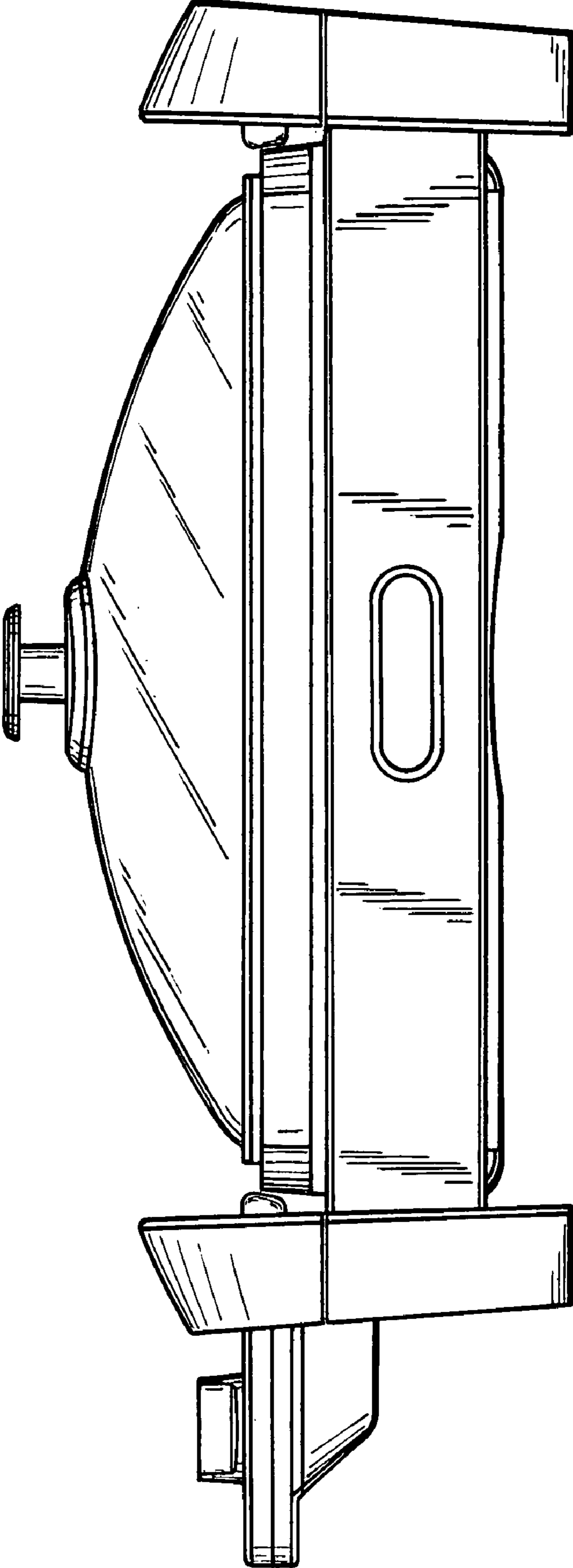


FIG. 2

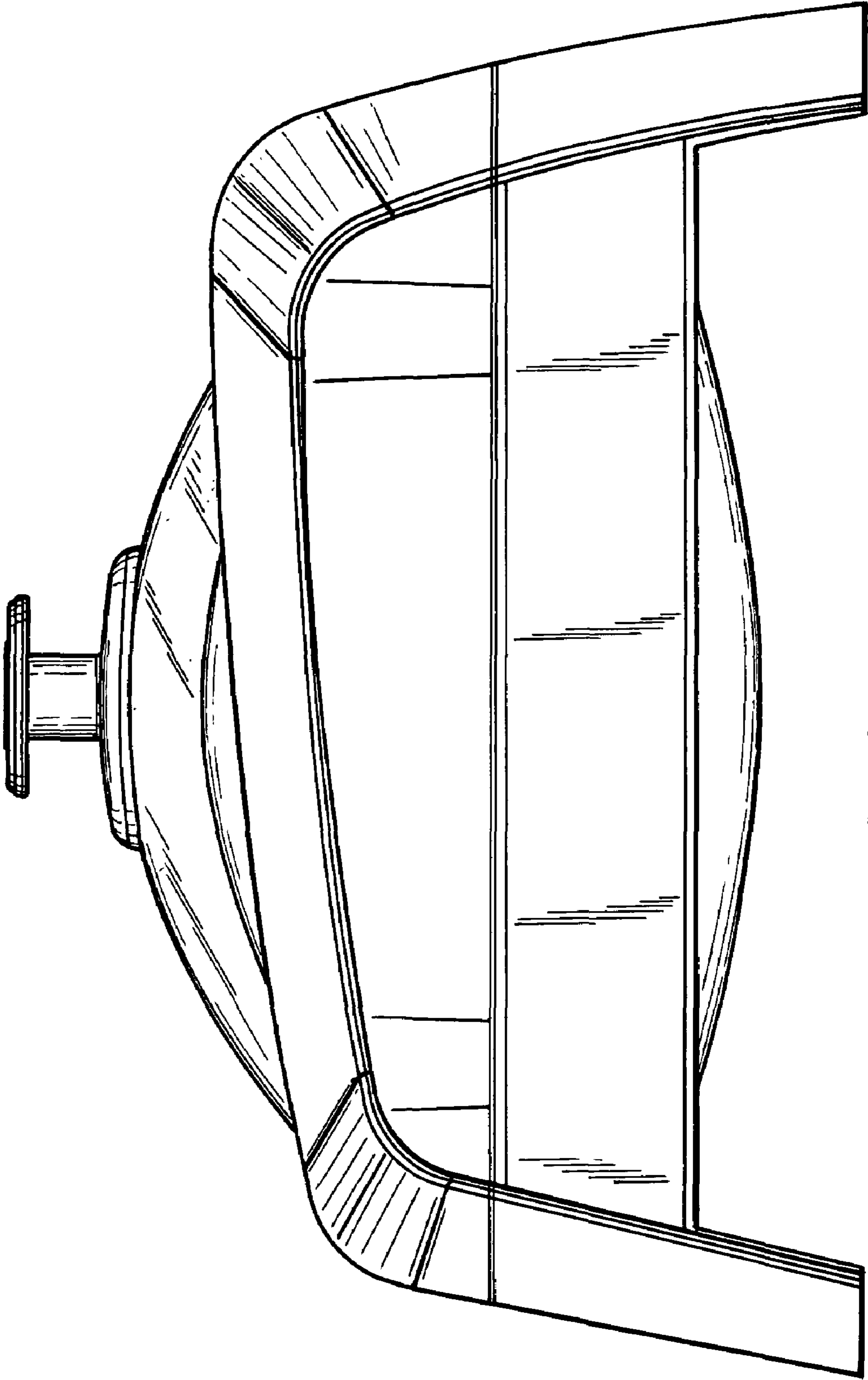


FIG.3

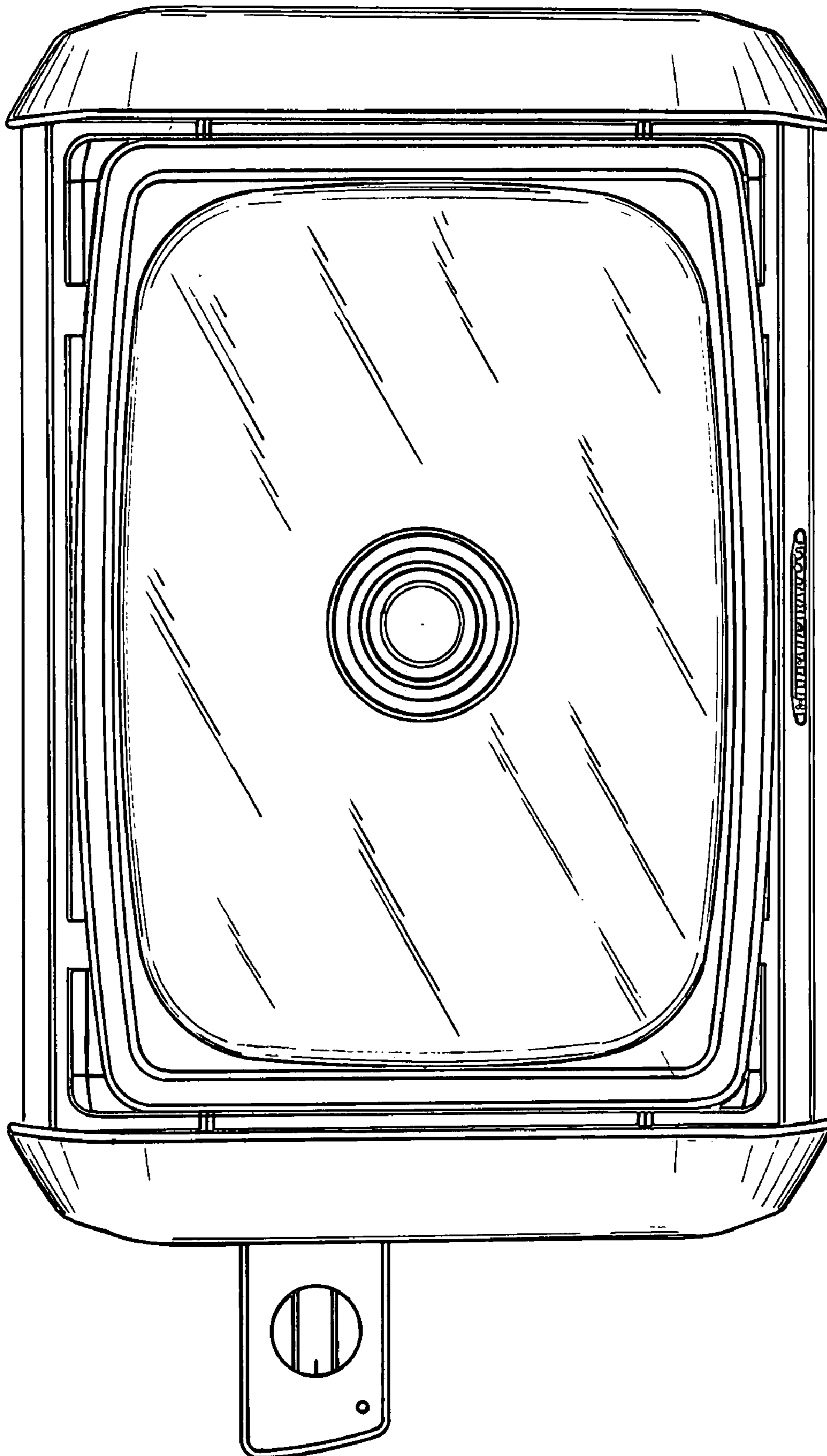


FIG. 4