



US00D548001S

(12) **United States Design Patent** (10) **Patent No.:** **US D548,001 S**
Gross (45) **Date of Patent:** **** Aug. 7, 2007**

(54) **CHAFING DISH**

(76) Inventor: **Eric D. Gross**, 12683 Corral Pl., Santa Fe Springs, CA (US) 90670

(**) Term: **14 Years**

(21) Appl. No.: **29/255,744**

(22) Filed: **Mar. 9, 2006**

(51) **LOC (8) Cl.** **07-02**

(52) **U.S. Cl.** **D7/355**

(58) **Field of Classification Search** D6/349, D6/352, 449; D7/323, 354-362, 365-367, D7/388, 538; D21/499, 500; D25/113; 99/324, 99/339, 340, 357, 483, 449; 126/33, 39 H, 126/261, 263, 390; 219/451.1, 429-438, 219/620-622; 220/252, 573.1, 573.2-573, 220/574, 694; 248/147; 426/112-114

See application file for complete search history.

(56) **References Cited**

U.S. PATENT DOCUMENTS

D146,832 S * 5/1947 O'connell D7/355
D168,905 S * 2/1953 O'connell D7/355
D213,717 S * 4/1969 Rickmeier D7/355
4,899,722 A * 2/1990 Horewitch 126/39 H
4,920,873 A * 5/1990 Stevens 99/339
5,381,729 A * 1/1995 Hennessy et al. 99/483
5,819,640 A * 10/1998 Cuomo et al. 99/483
D414,982 S * 10/1999 Hopkins et al. D7/362

6,157,007 A * 12/2000 Scott, III 219/437
D468,580 S * 1/2003 Ruiseco D7/355
2003/0192525 A1 * 10/2003 Ruiseco 126/33
2005/0150395 A1 * 7/2005 Olekaibe et al. 99/483
2006/0090744 A1 * 5/2006 Wojcik et al. 126/261

OTHER PUBLICATIONS

Central Restaurant Products Wholesale Equipment & Supplies, 2002-2003 p. 148, Chafing Dishes Item No. 913-273.*

* cited by examiner

Primary Examiner—Cathron C. Brooks

Assistant Examiner—Ricky Pham

(74) *Attorney, Agent, or Firm*—James E. Brunton, Esq.

(57) **CLAIM**

The ornamental design for “chafing dish,” as shown.

DESCRIPTION

FIG. 1 is a perspective view of a “chafing dish” showing my new design;

FIG. 2 is a front view thereof;

FIG. 3 is a rear view thereof;

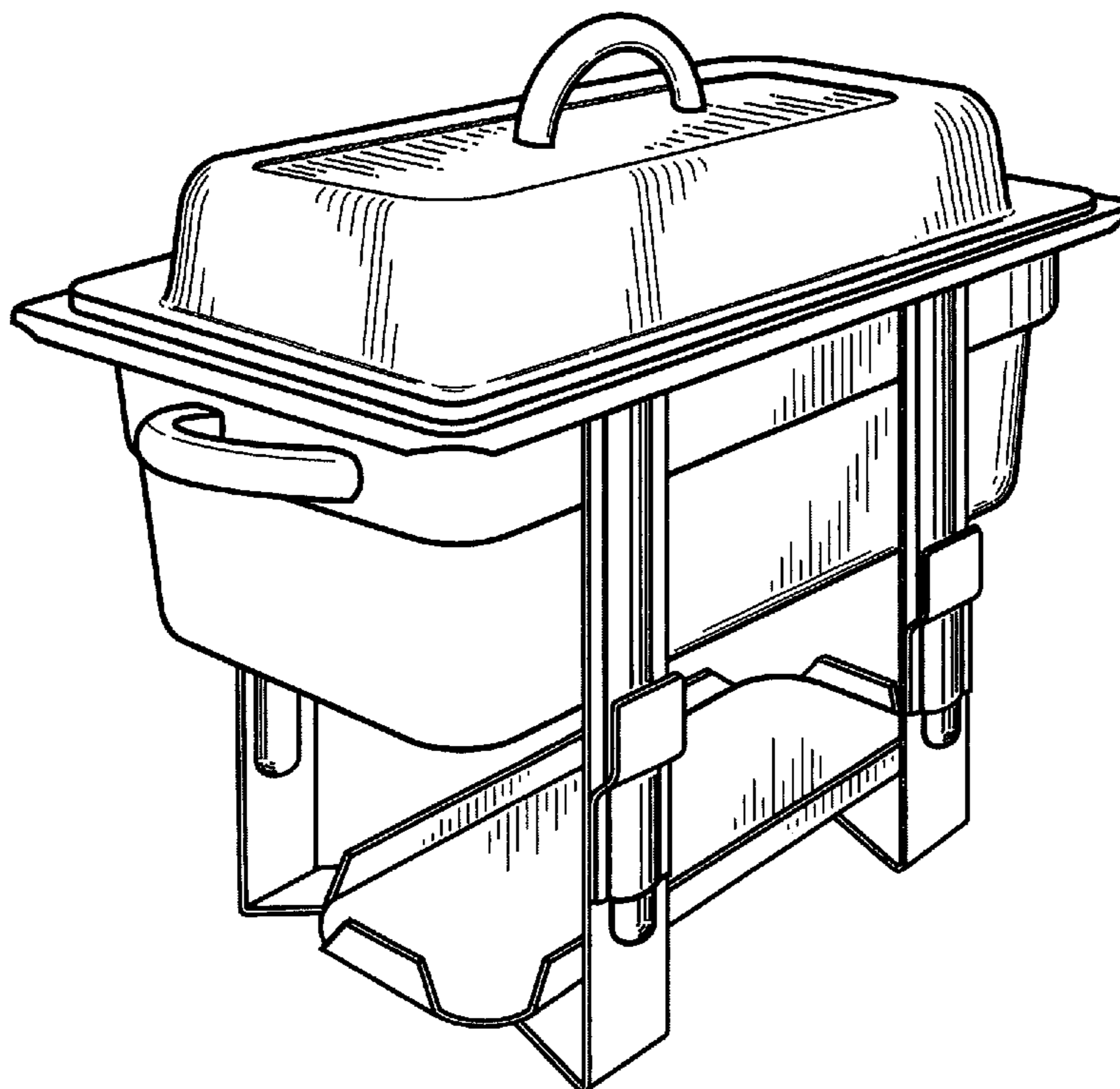
FIG. 4 is a left side view thereof;

FIG. 5 is a right side view thereof;

FIG. 6 is a top plan view thereof; and,

FIG. 7 is a bottom plan view thereof.

1 Claim, 4 Drawing Sheets



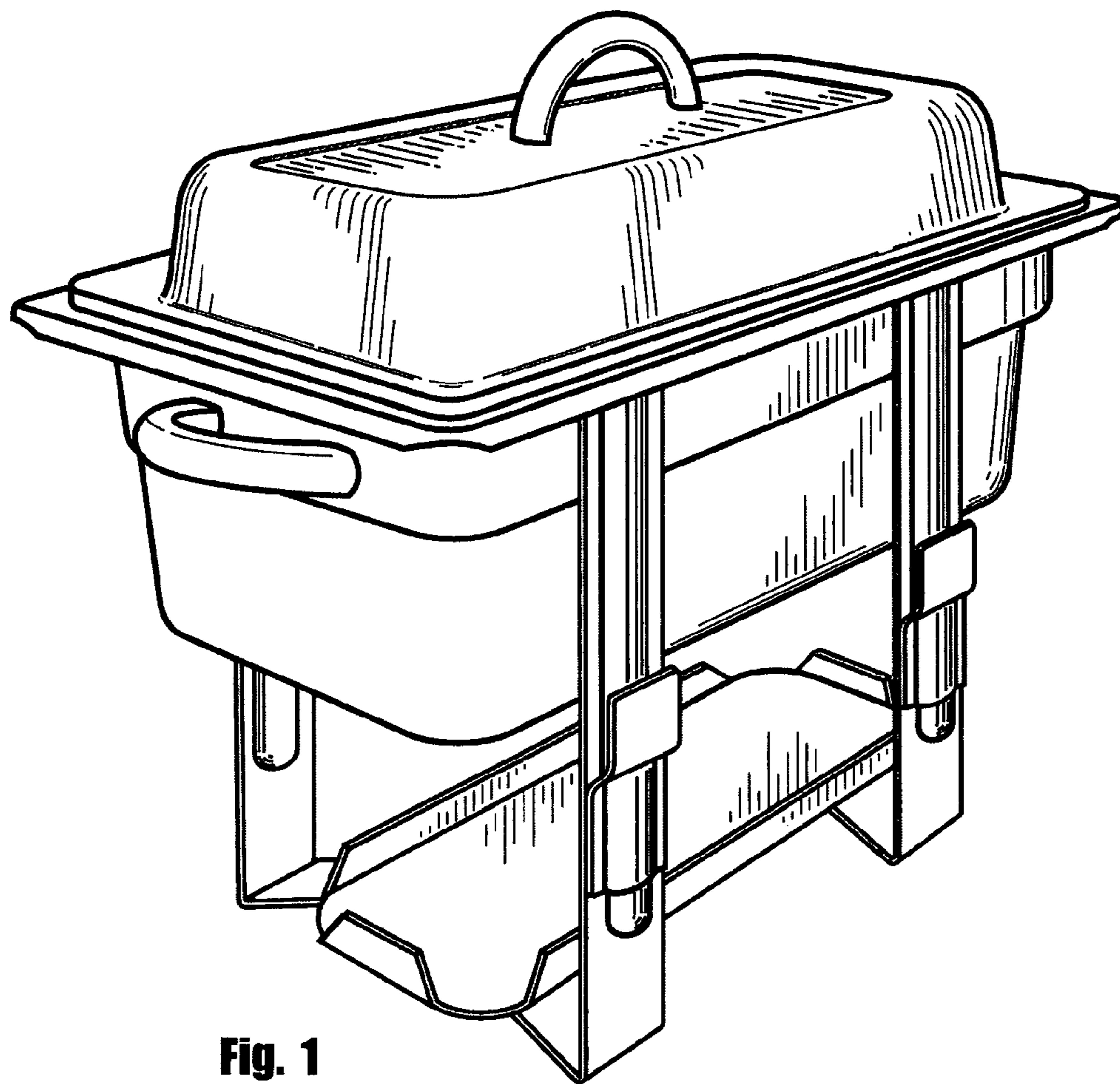


Fig. 1

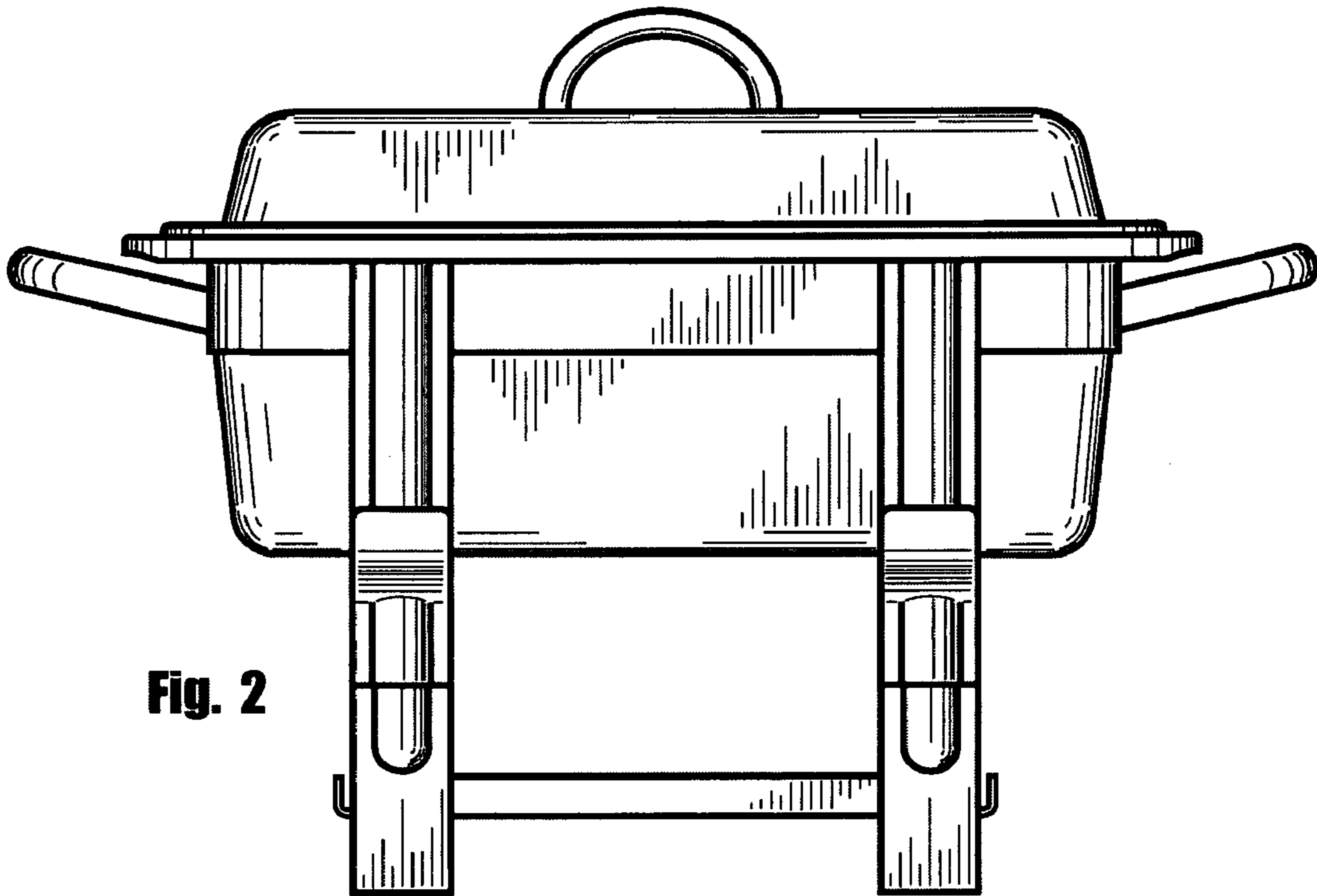


Fig. 2

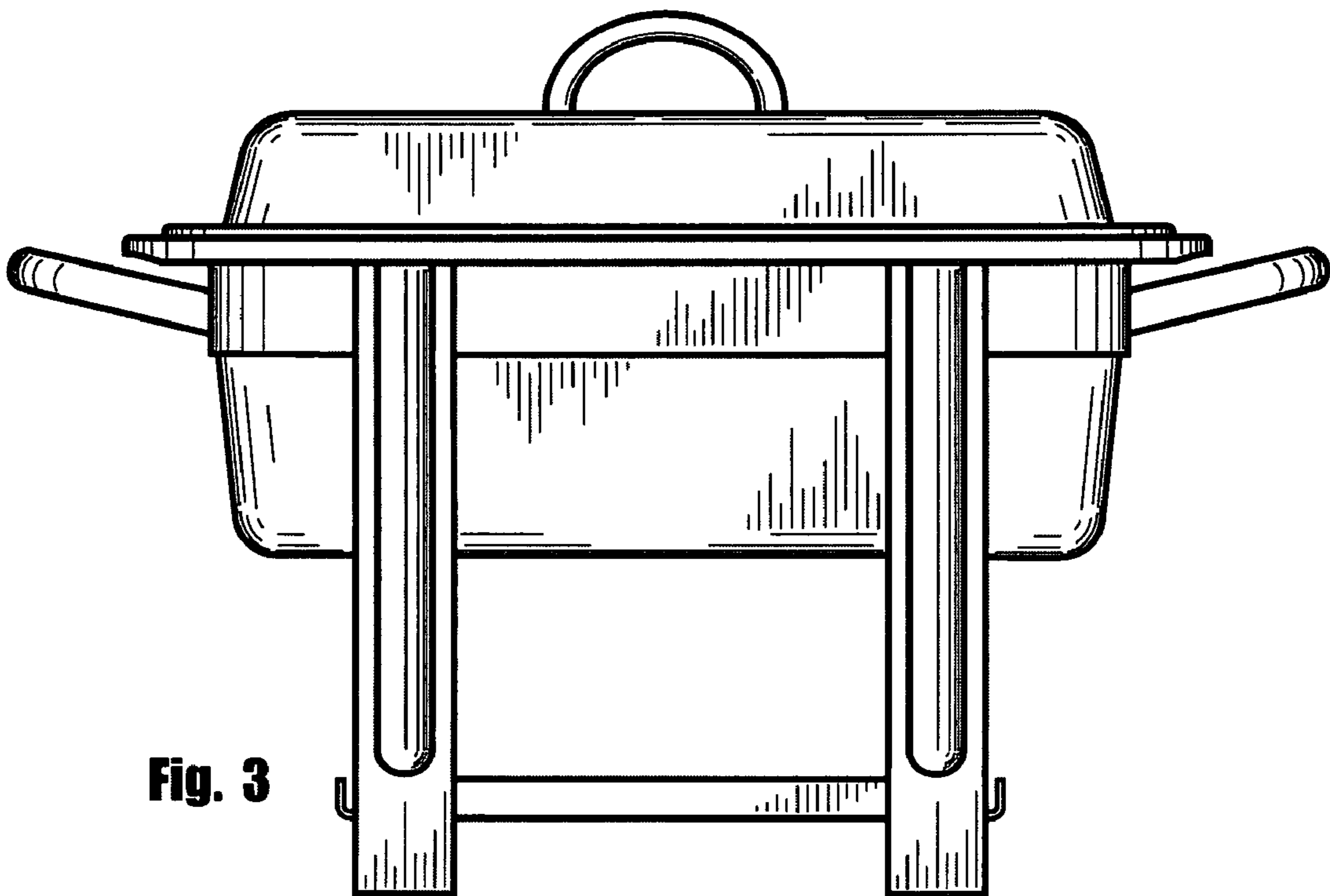


Fig. 3

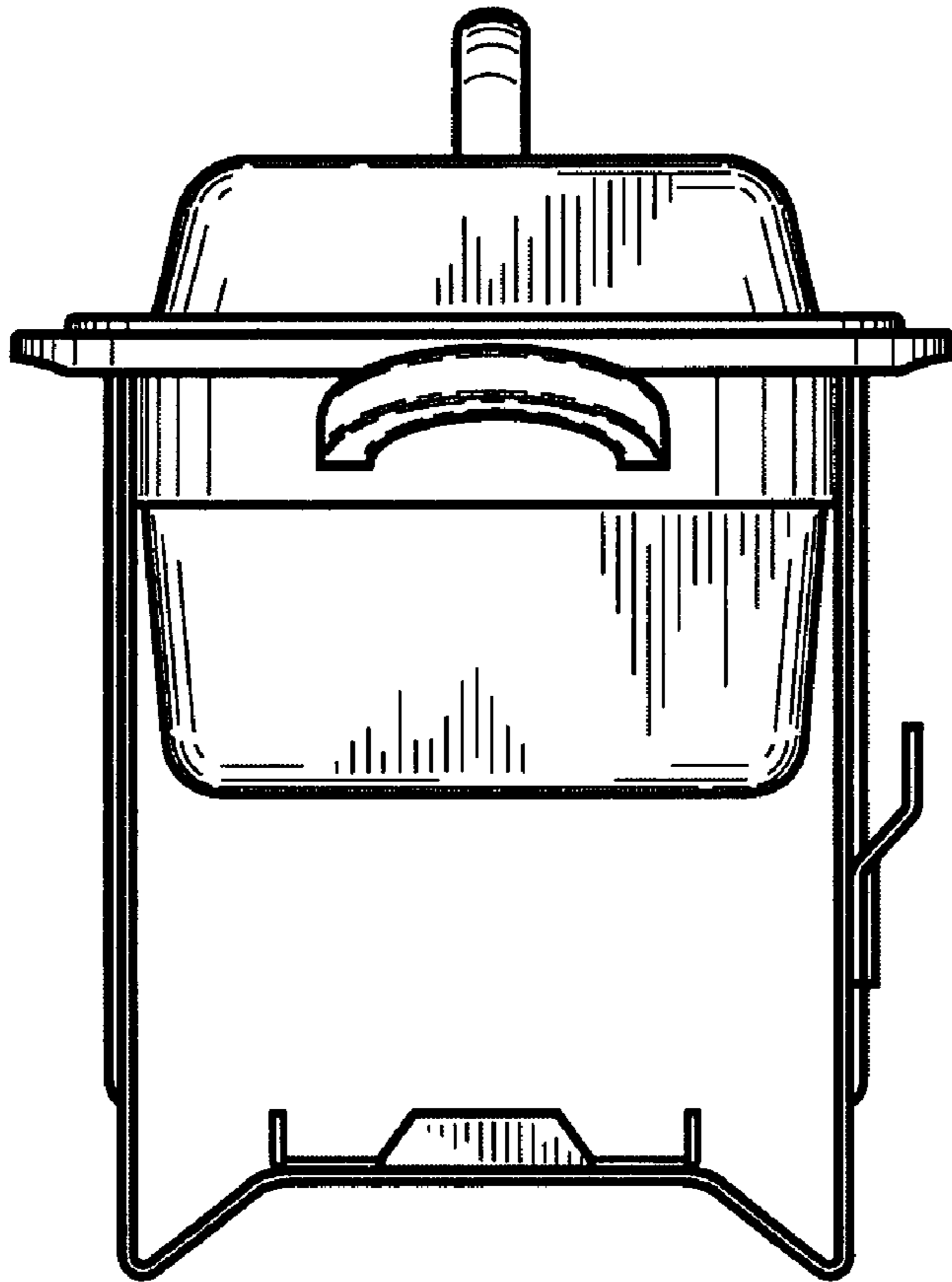


Fig. 4

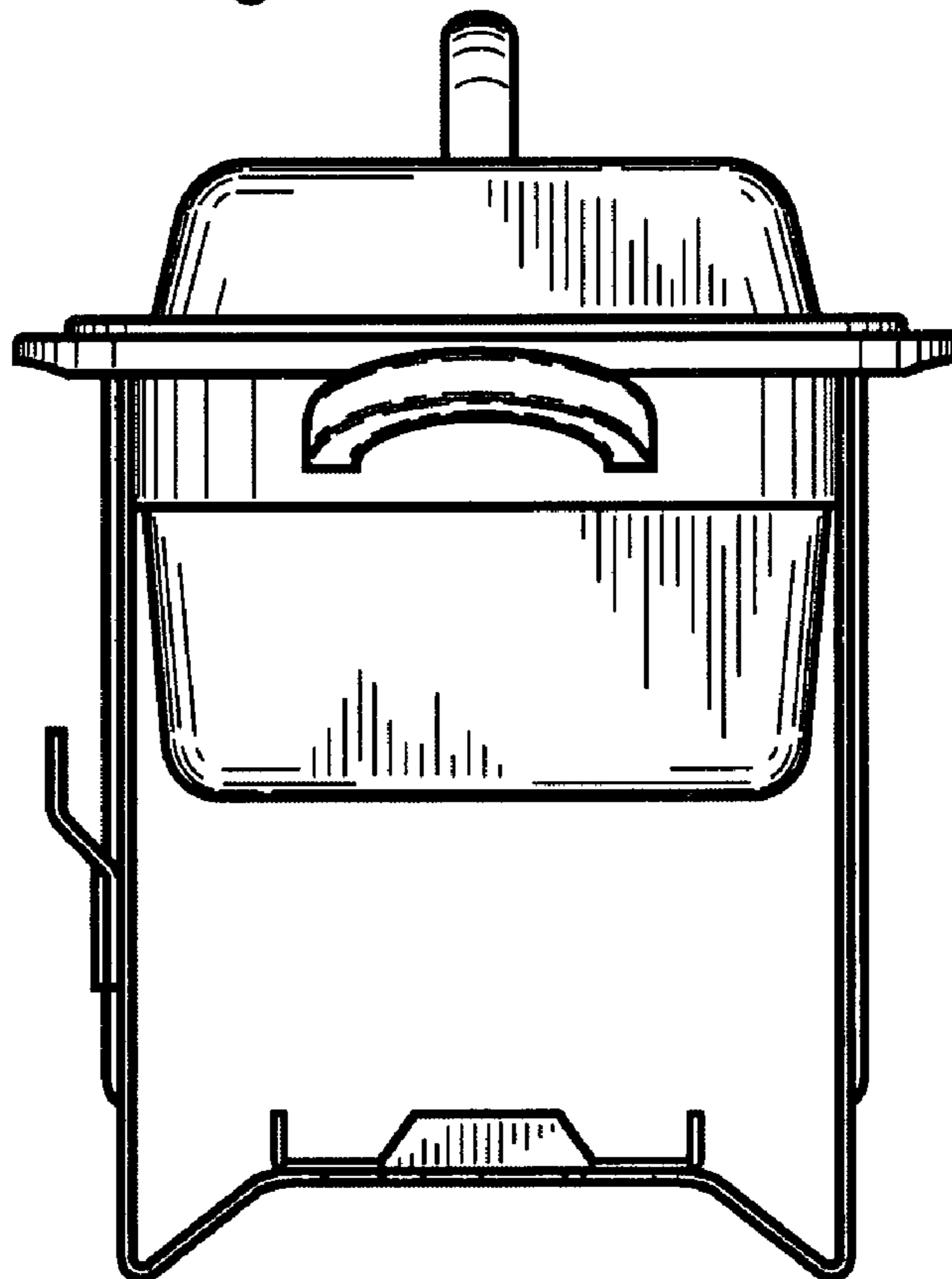


Fig. 5

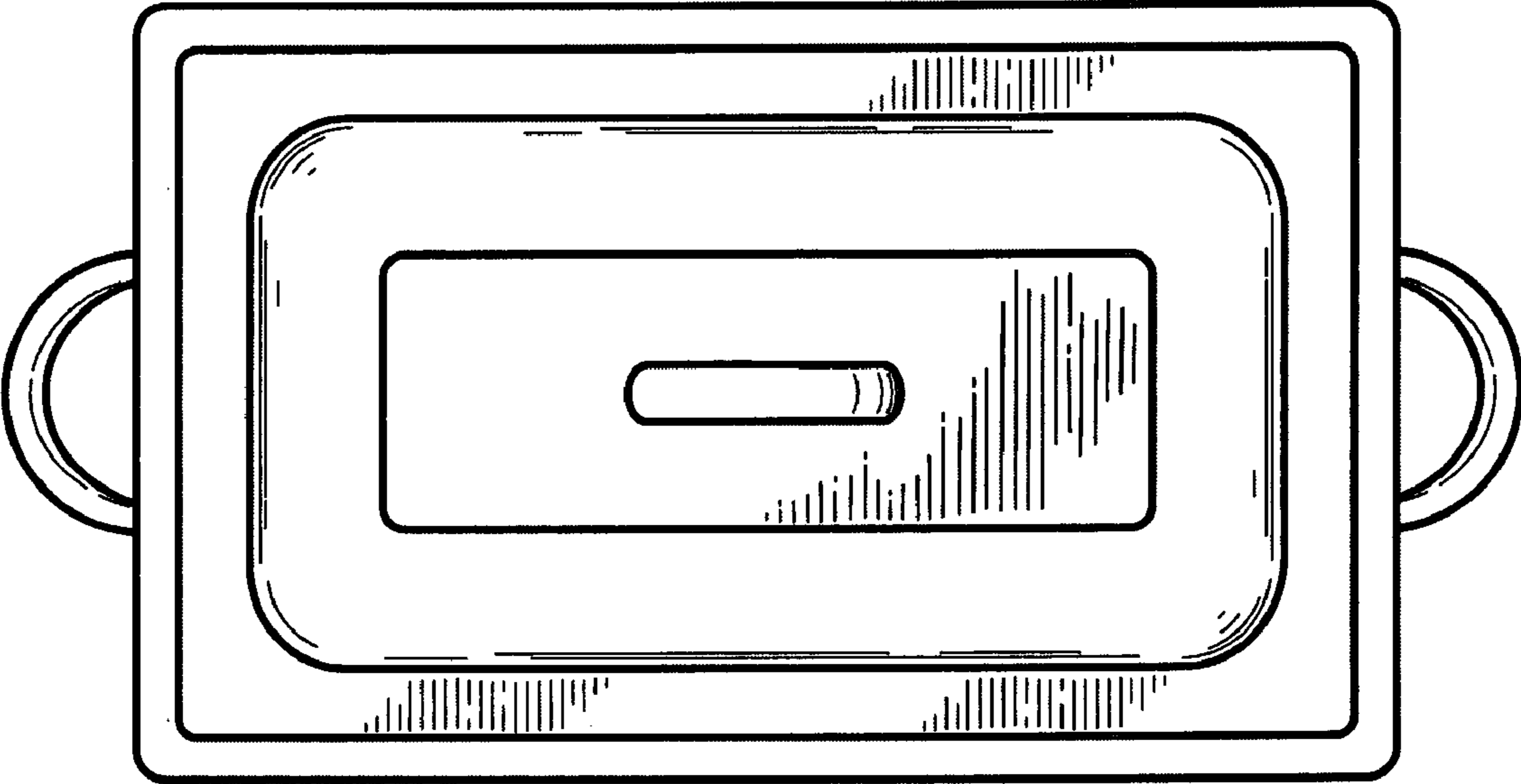


Fig. 6

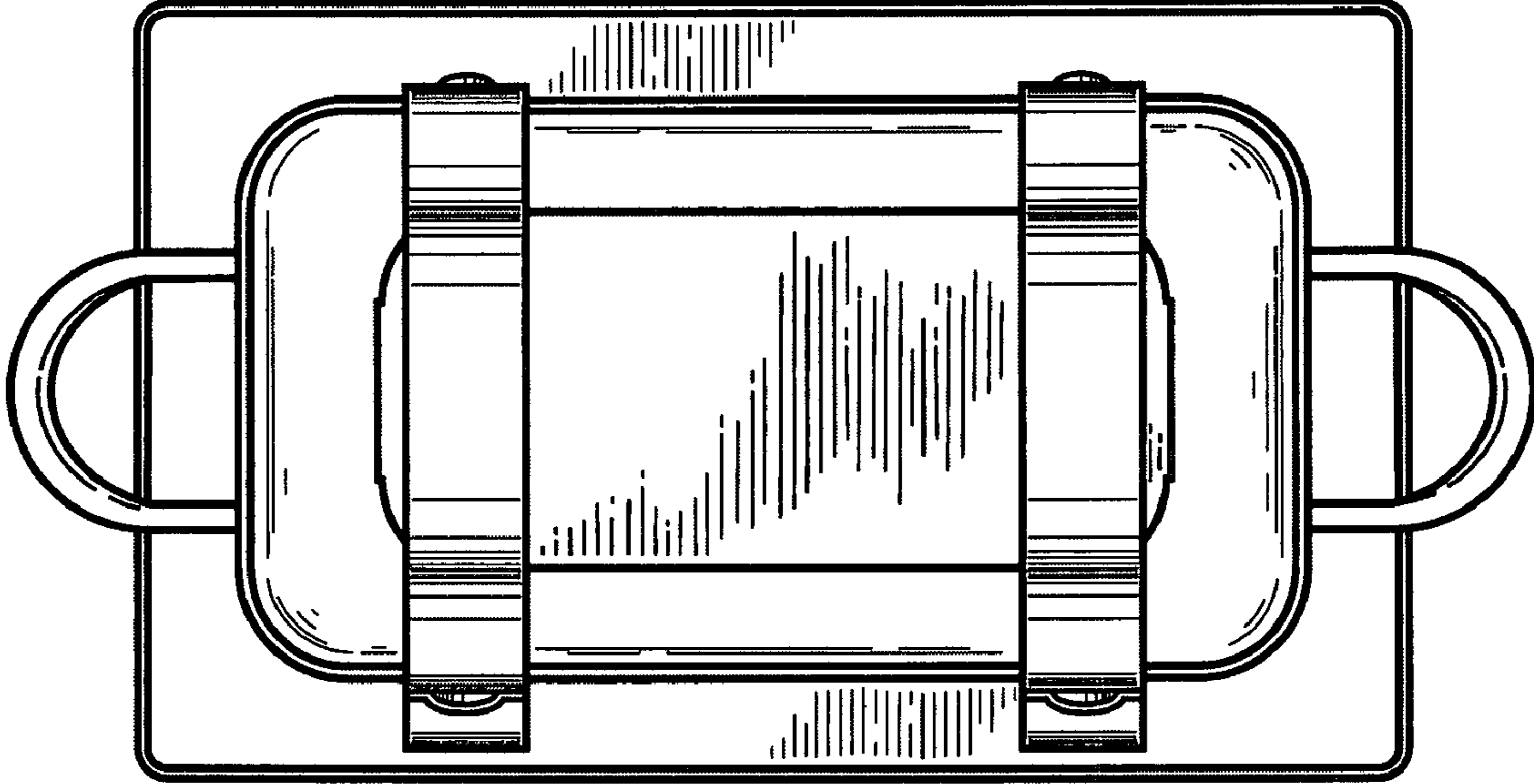


Fig. 7