



US00D548000S

(12) **United States Design Patent**
Mangano

(10) **Patent No.:** **US D548,000 S**

(45) **Date of Patent:** **** Aug. 7, 2007**

(54) **MULTIFUNCTION ELECTRIC COOKER**

D462,230 S * 9/2002 Wu D7/352
D526,153 S * 8/2006 Weiwen D7/352
D532,646 S * 11/2006 Moore D7/352

(75) Inventor: **Joy Mangano**, St. James, NY (US)

(73) Assignee: **Ingenious Designs LLC**, Edgewood,
NY (US)

FOREIGN PATENT DOCUMENTS

GB 2002484 * 6/1989
GB 2090251 * 2/2000

(**) Term: **14 Years**

* cited by examiner

(21) Appl. No.: **29/259,952**

Primary Examiner—Cathron C. Brooks

Assistant Examiner—Ricky Pham

(22) Filed: **May 17, 2006**

(74) *Attorney, Agent, or Firm*—Galgano & Associates,
PLLC

(51) **LOC (8) Cl.** **07-02**

(52) **U.S. Cl.** **D7/352**

(58) **Field of Classification Search** D7/323,
D7/328–332, 334–339, 352–363; 99/219,
99/331, 339, 349, 369, 372–375, 385, 386,
99/389, 425, 444, 446, 466, 601, 618, 620;
219/524, 525, 620–622, 732–734; D21/525
See application file for complete search history.

(57) **CLAIM**

The ornamental design for a multifunction electric cooker,
as shown and described.

(56) **References Cited**

U.S. PATENT DOCUMENTS

D157,463 S * 2/1950 Alexander D7/352
D367,993 S * 3/1996 McClean D7/352
D379,733 S * 6/1997 Liu et al. D7/352
D389,372 S * 1/1998 Saltet D7/352
5,848,567 A * 12/1998 Chiang 99/375
D407,598 S * 4/1999 Deni et al. D7/352
D409,876 S * 5/1999 Gruaz D7/352
6,363,842 B1 * 4/2002 Lin 99/425
D462,228 S * 9/2002 Wu D7/352
D462,229 S * 9/2002 Wu D7/352

DESCRIPTION

FIG. 1 is a perspective view of a multifunction electric
cooker showing my new design;

FIG. 2 is a front elevational view thereof;

FIG. 3 is a rear elevational view thereof;

FIG. 4 is a left side elevational view thereof;

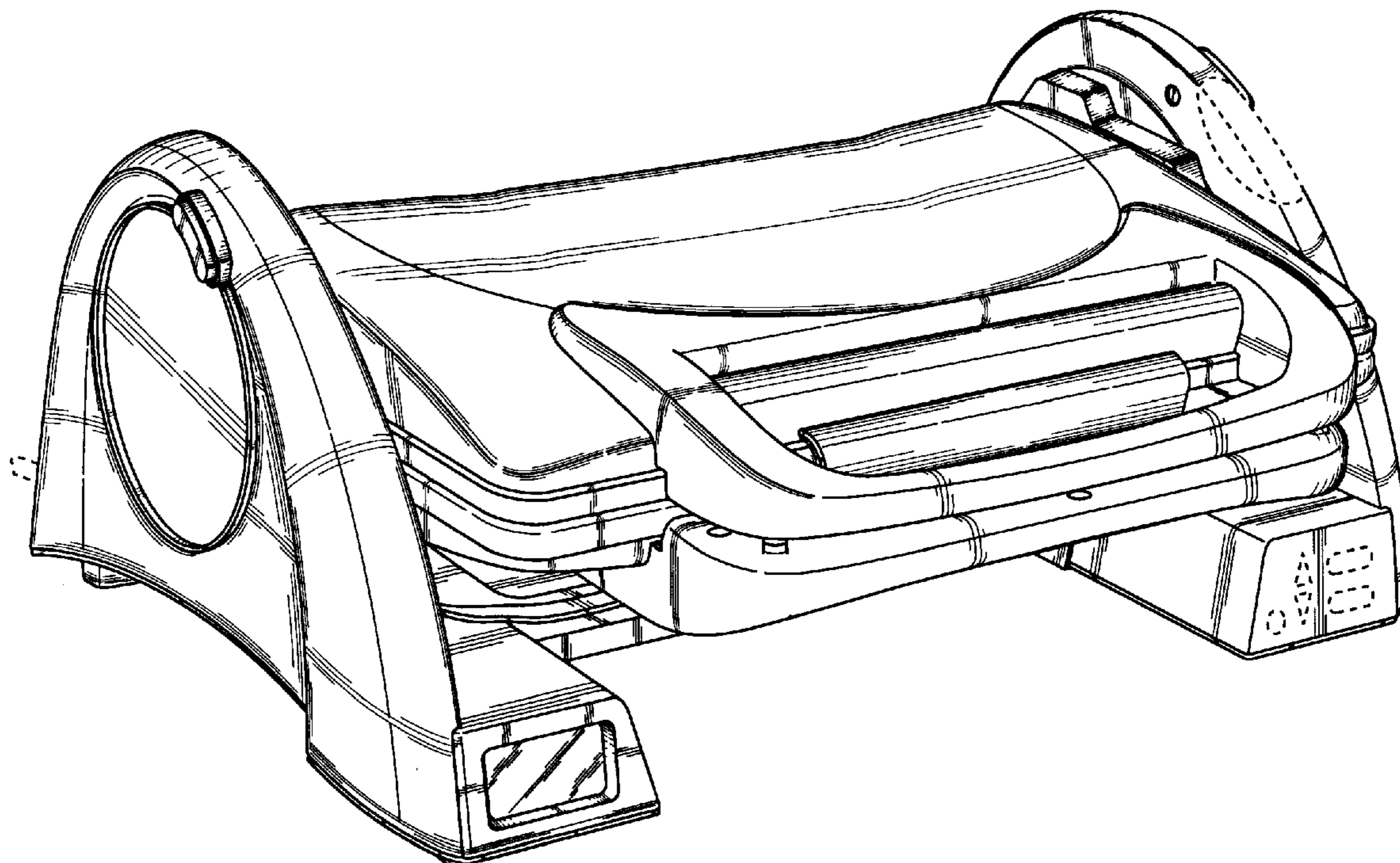
FIG. 5 is a right side elevational view thereof;

FIG. 6 is a top plan view thereof; and,

FIG. 7 is a bottom plan view thereof.

The broken line shown in the drawings are for illustrative
purposes only and form no part of the claimed design.

1 Claim, 7 Drawing Sheets



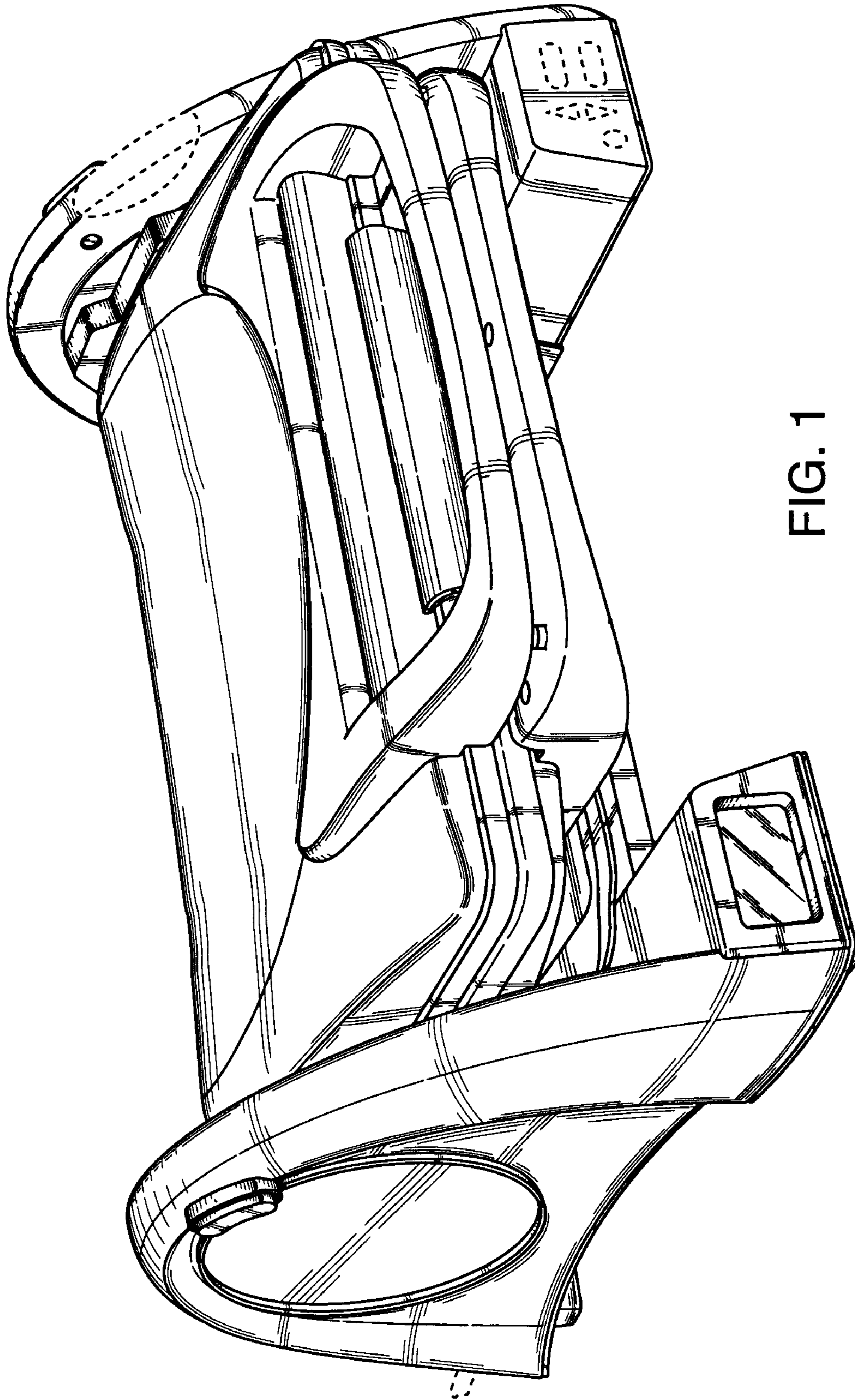


FIG. 1

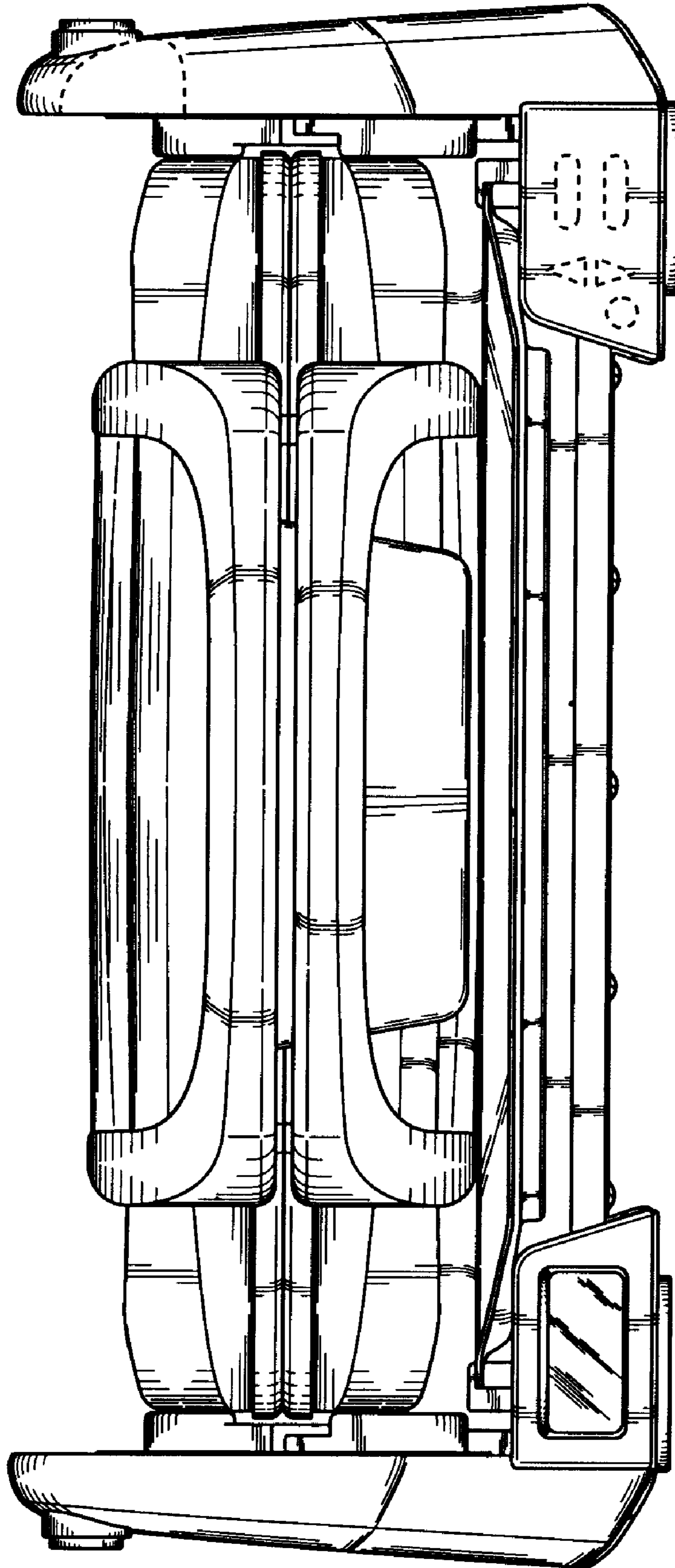


FIG. 2

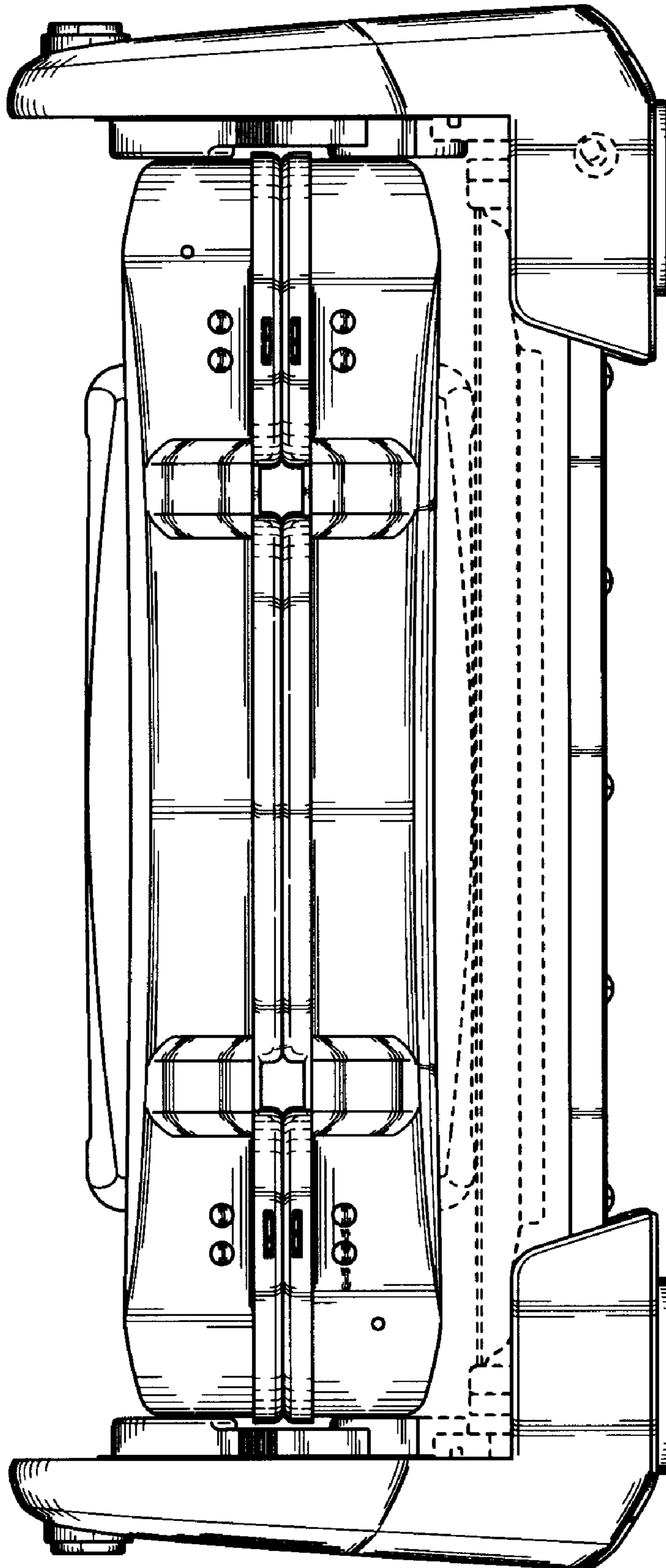


FIG. 3

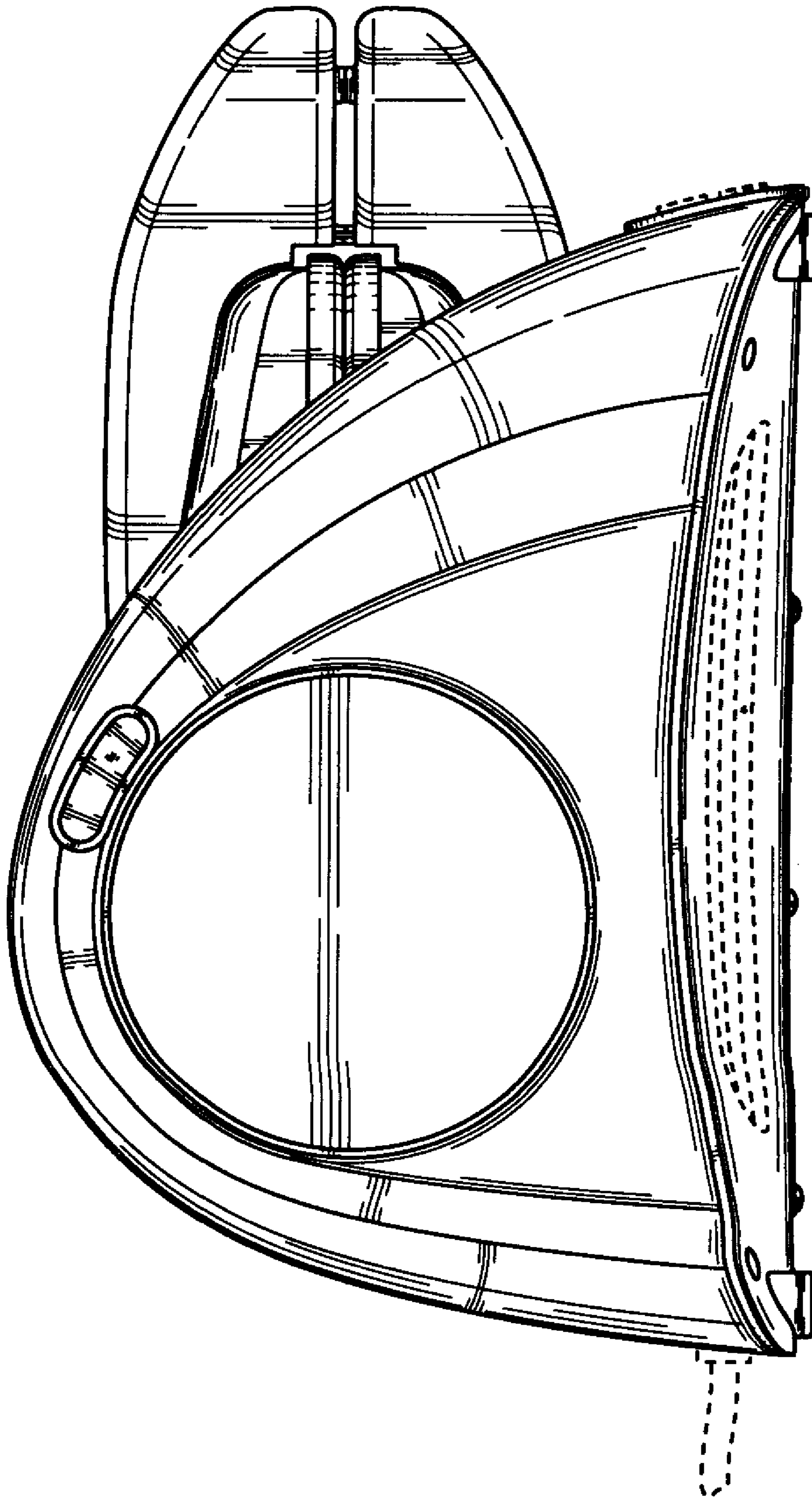


FIG. 4

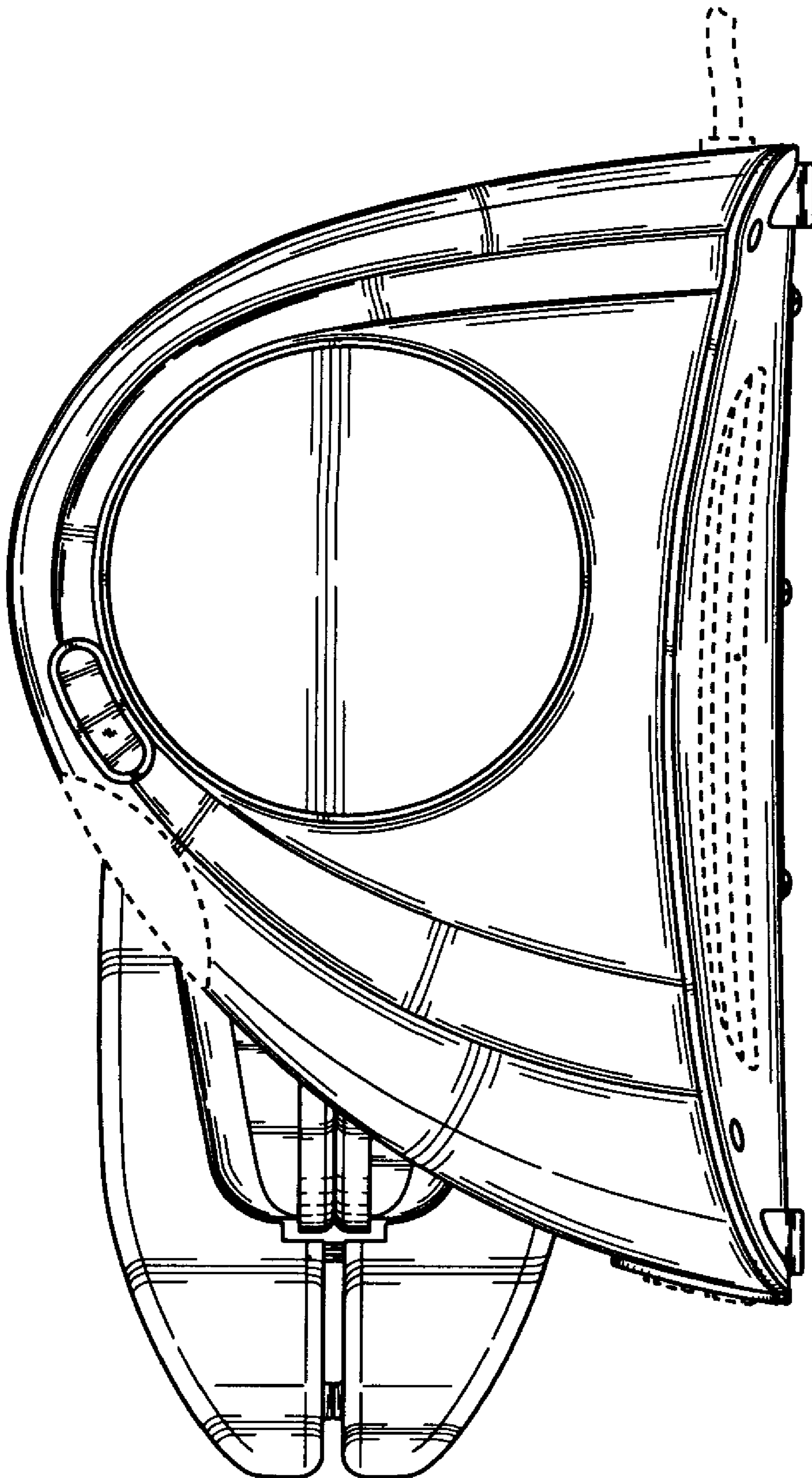


FIG. 5

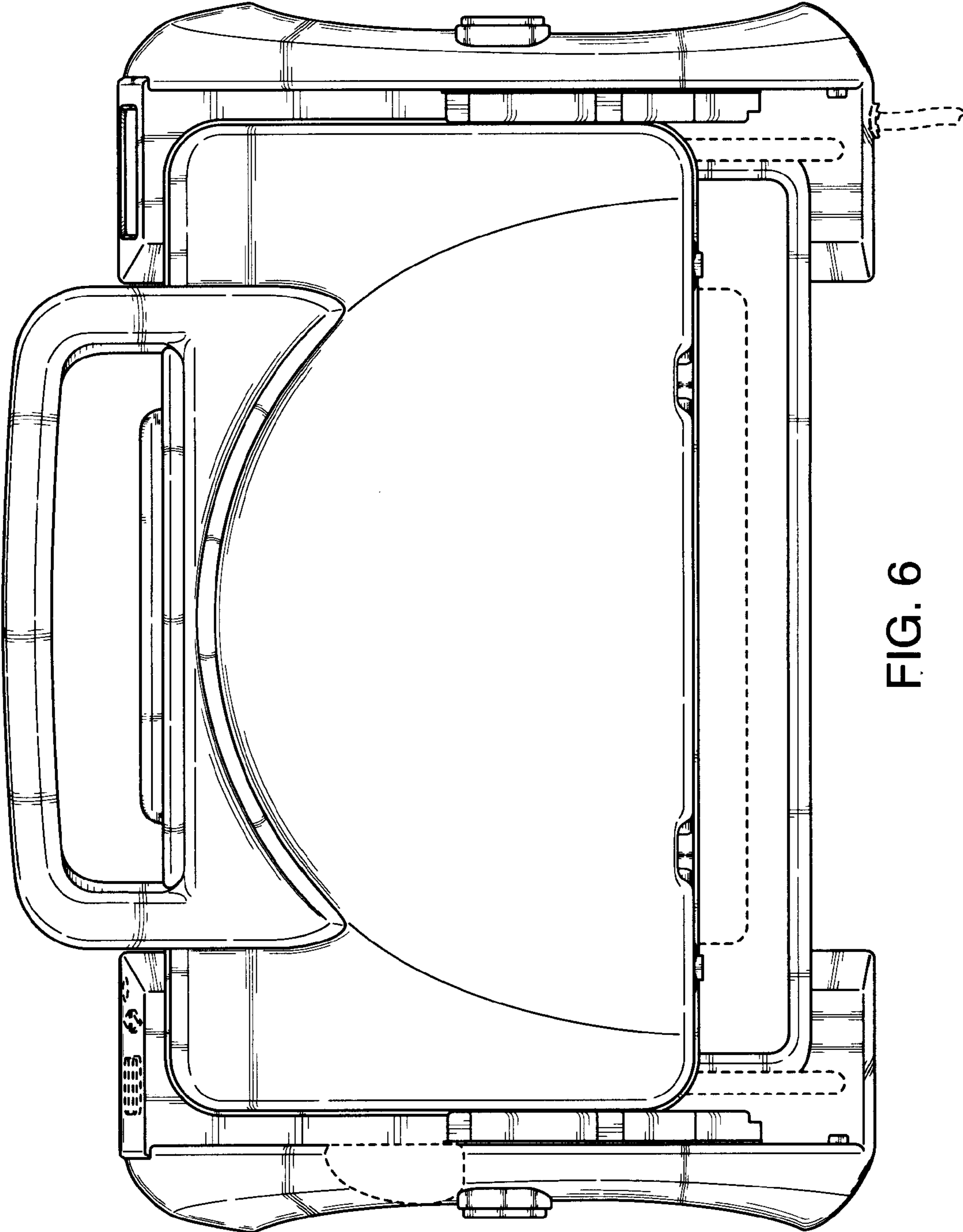


FIG. 6

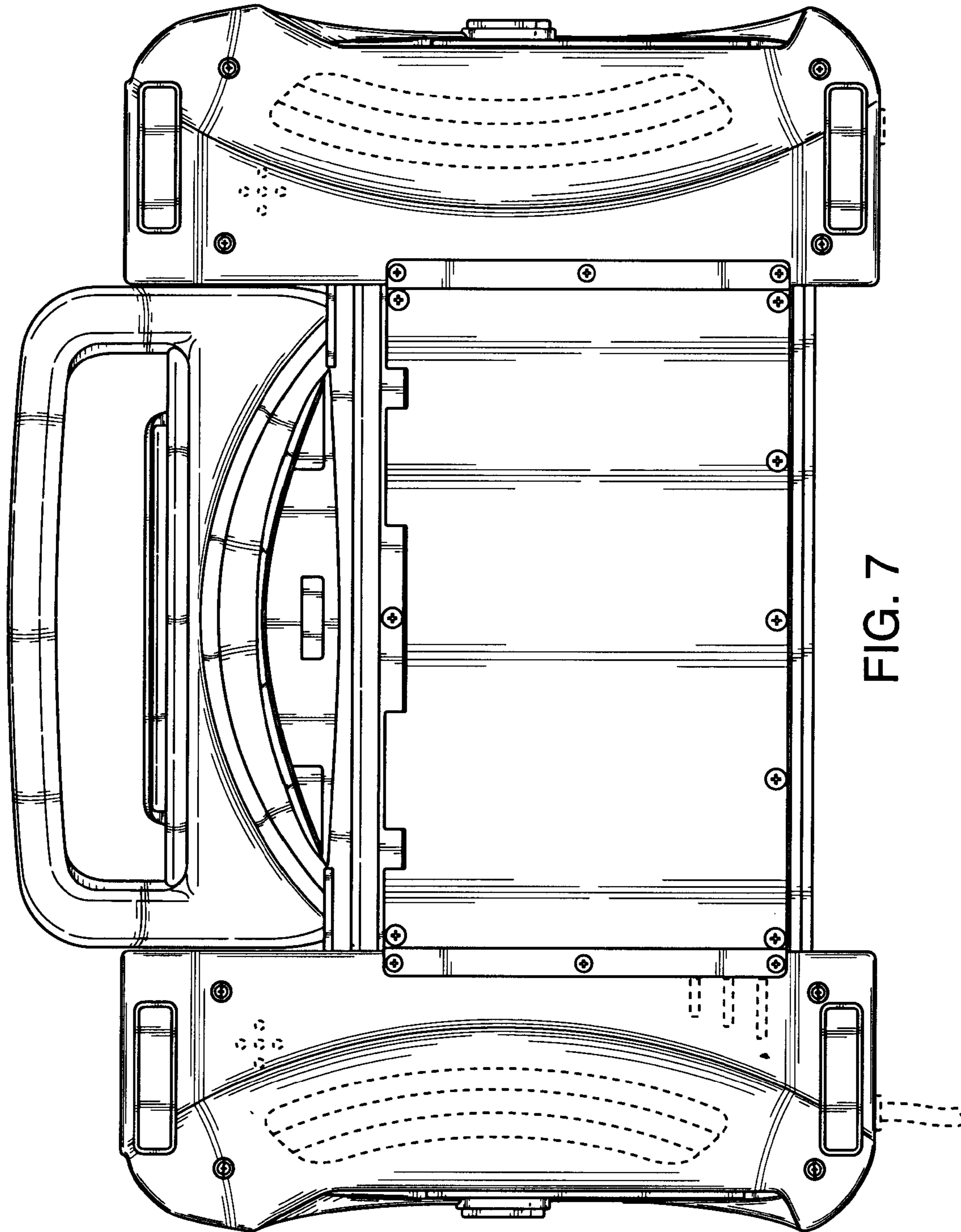


FIG. 7