



US00D547998S

(12) **United States Design Patent**
Barraclough

(10) **Patent No.:** **US D547,998 S**

(45) **Date of Patent:** **** Aug. 7, 2007**

(54) **KETTLE**

(75) Inventor: **James R Barraclough**, Waterbury, CT
(US)

(73) Assignee: **Conair Corporation**, Stamford, CT
(US)

(**) Term: **14 Years**

(21) Appl. No.: **29/238,237**

(22) Filed: **Sep. 13, 2005**

(51) **LOC (8) Cl.** **07-01**

(52) **U.S. Cl.** **D7/320; D7/321**

(58) **Field of Classification Search** D7/312,
D7/300, 322, 321, 320, 608; 99/281, 299,
99/322; 220/755, 774; 222/566, 500, 465.1,
222/157, 481; 219/441

See application file for complete search history.

(56) **References Cited**

U.S. PATENT DOCUMENTS

- D23,763 S * 11/1894 Sternau D7/320
- 1,008,861 A * 11/1911 Piaseczny 99/299
- D43,106 S * 10/1912 Hoffmann D7/320
- 1,503,857 A * 8/1924 Sprangers 222/481
- 1,545,488 A * 7/1925 Doty 222/465.1
- D68,560 S * 10/1925 Anduze D7/321
- D88,103 S * 10/1932 Moore D7/320

- D238,780 S * 2/1976 Laslo D22/103
- D261,087 S * 10/1981 Myodo D7/321
- D279,756 S * 7/1985 Lax D7/320
- D373,500 S * 9/1996 Lee D7/320
- D395,788 S * 7/1998 Holland D7/321
- D477,494 S * 7/2003 Pena Angarita D7/321

* cited by examiner

Primary Examiner—M. N. Pandozzi

(74) *Attorney, Agent, or Firm*—Lawrence Cruz

(57) **CLAIM**

The ornamental design for a kettle, as shown and described.

DESCRIPTION

FIG. 1 is a front perspective view of a kettle showing our new design;

FIG. 2 is a rear perspective view thereof;

FIG. 3 is a right side view thereof;

FIG. 4 is a left side view thereof;

FIG. 5 is a front view thereof;

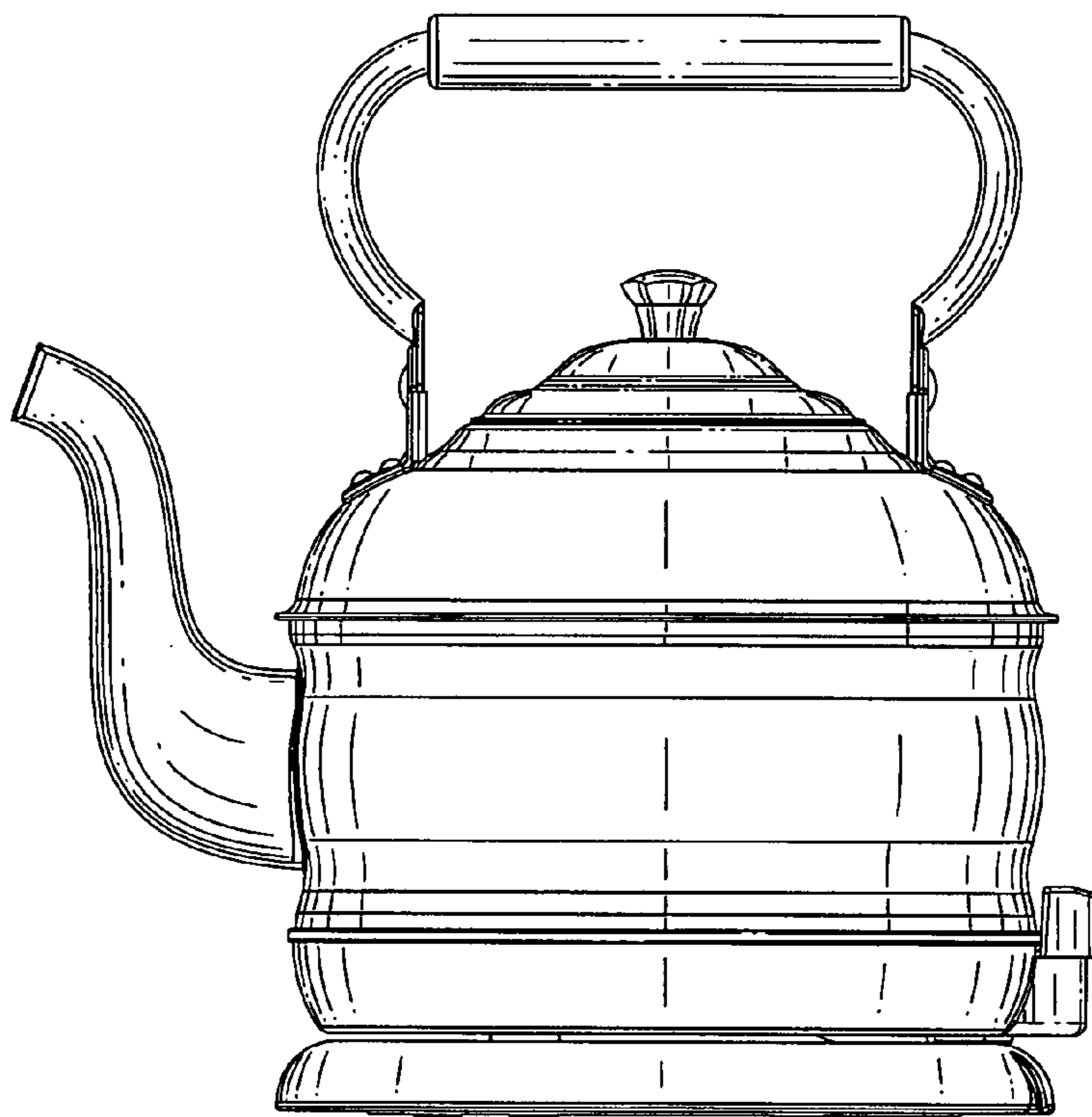
FIG. 6 is a rear view thereof

FIG. 7 is a bottom view; and,

FIG. 8 is a top view.

The broken lines are shown for illustrative purposes only and form no part of the claimed design.

1 Claim, 4 Drawing Sheets



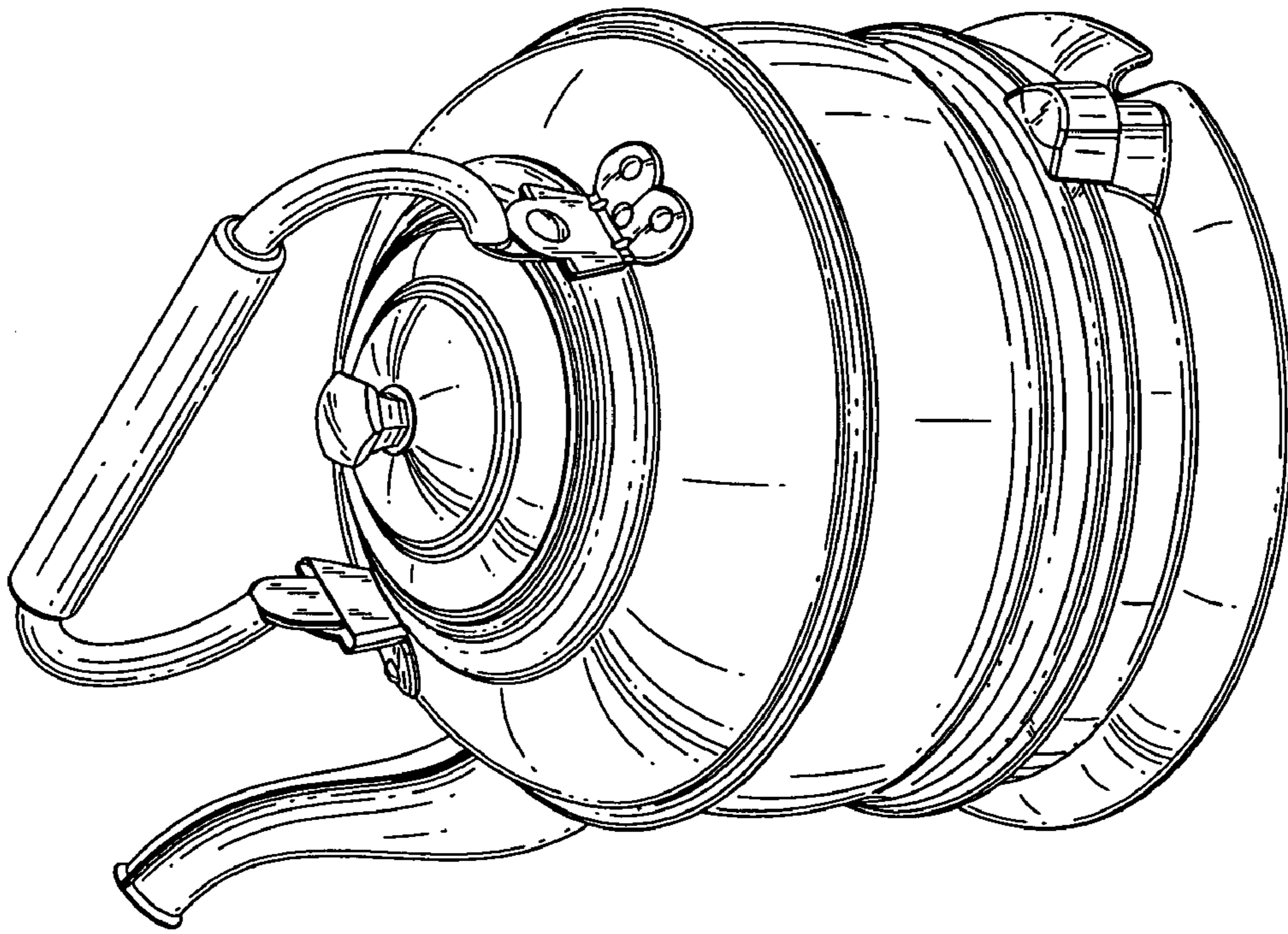


FIG. 2

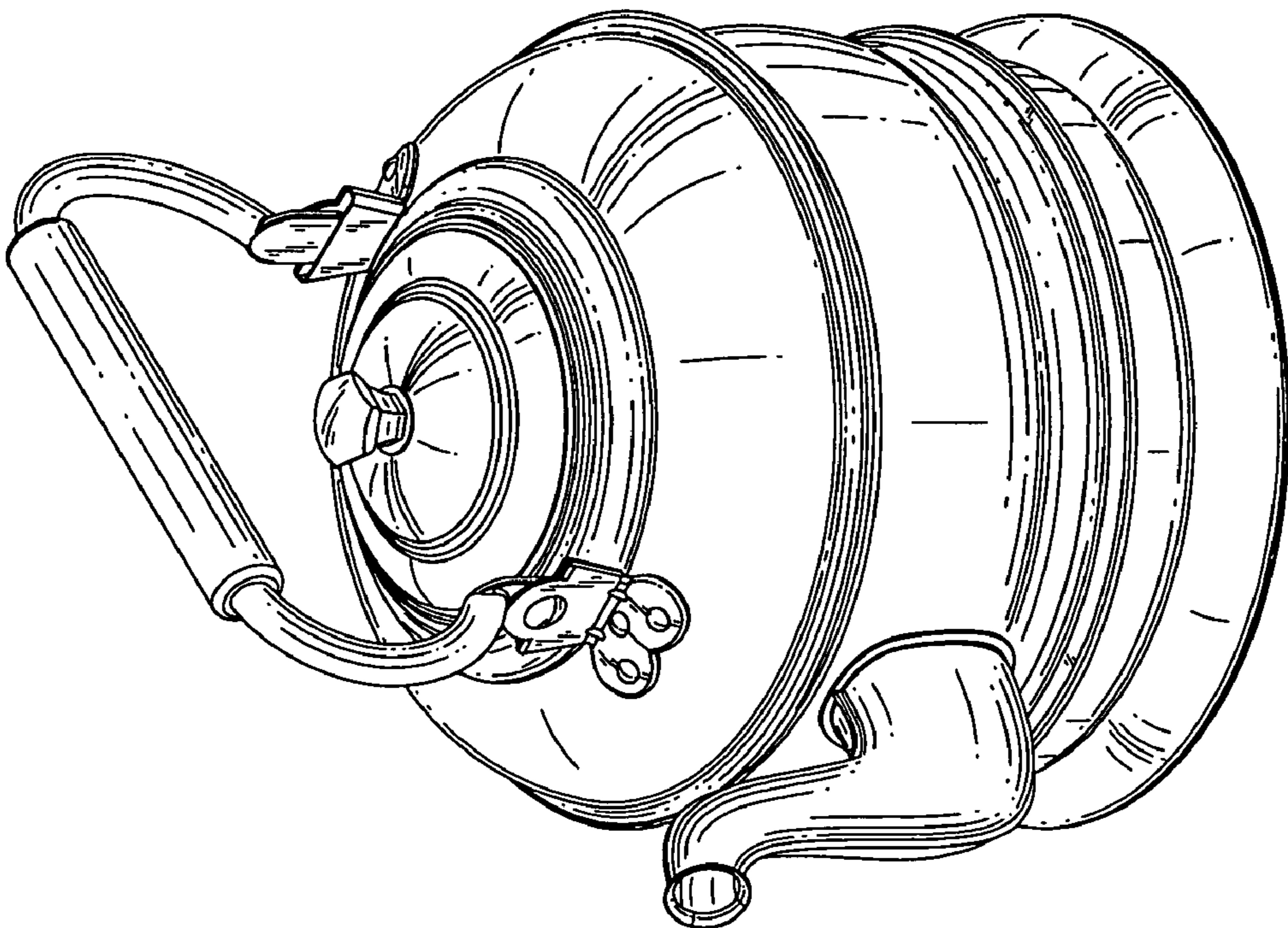


FIG. 1

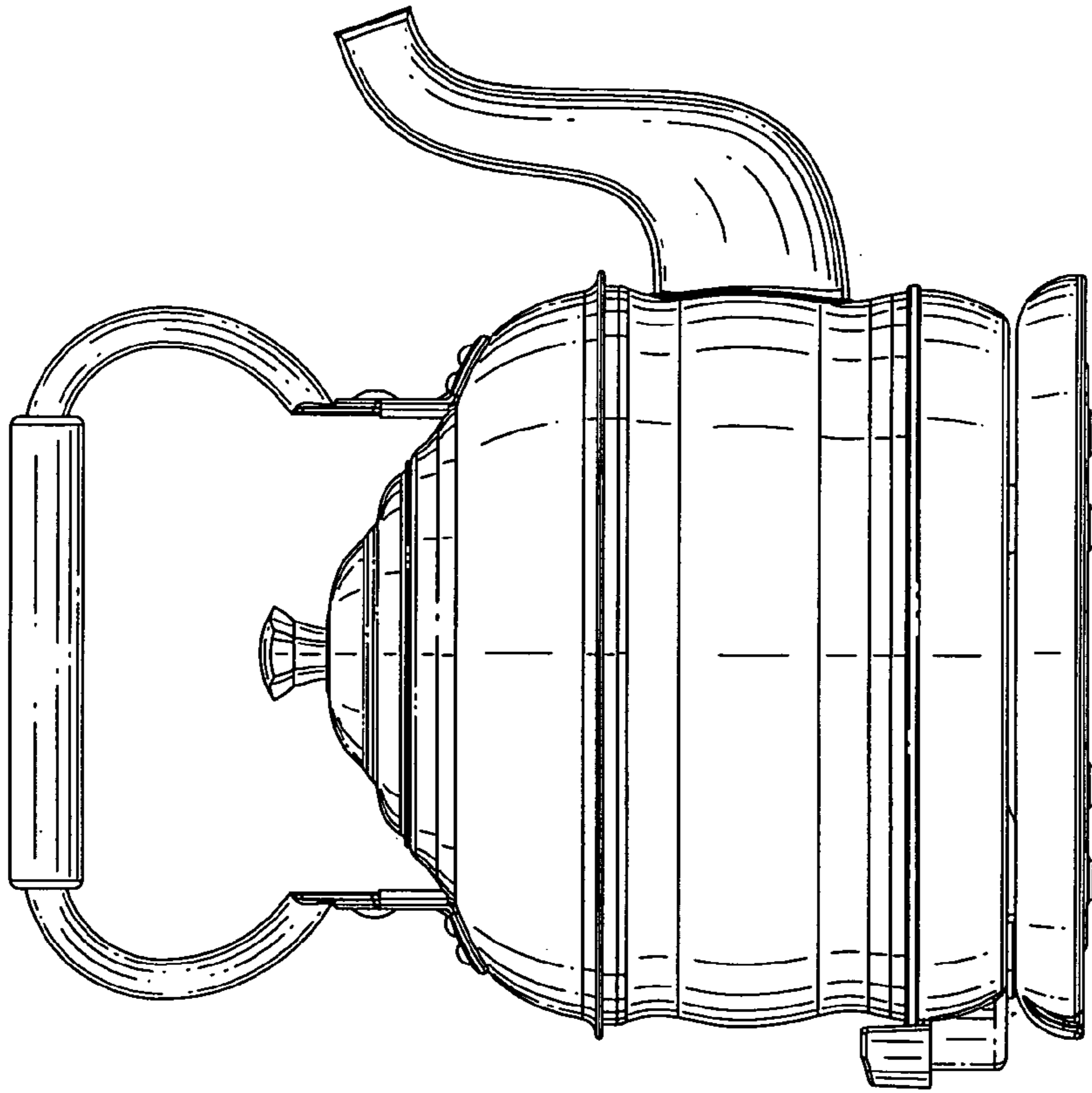


FIG. 4

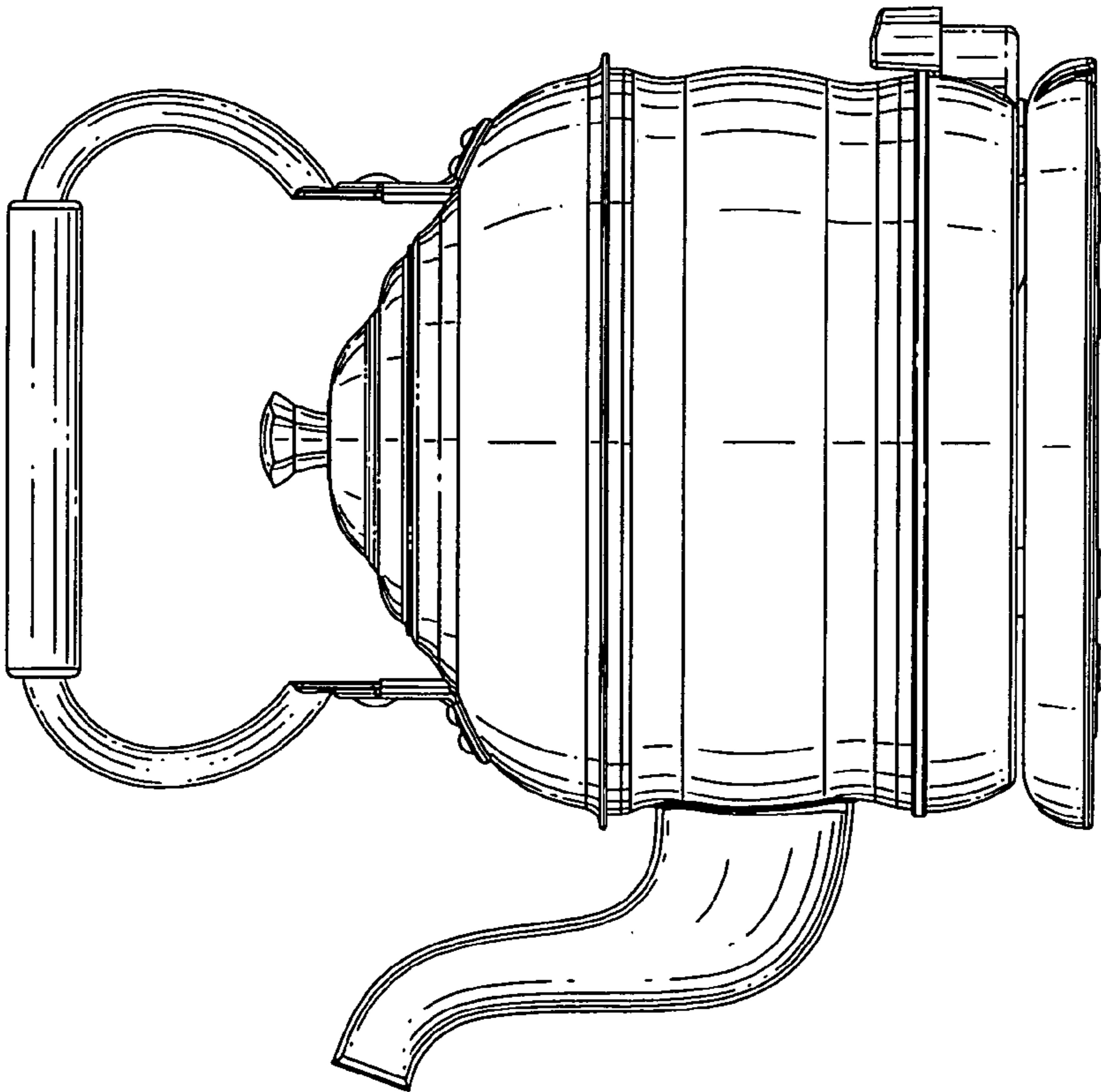


FIG. 3

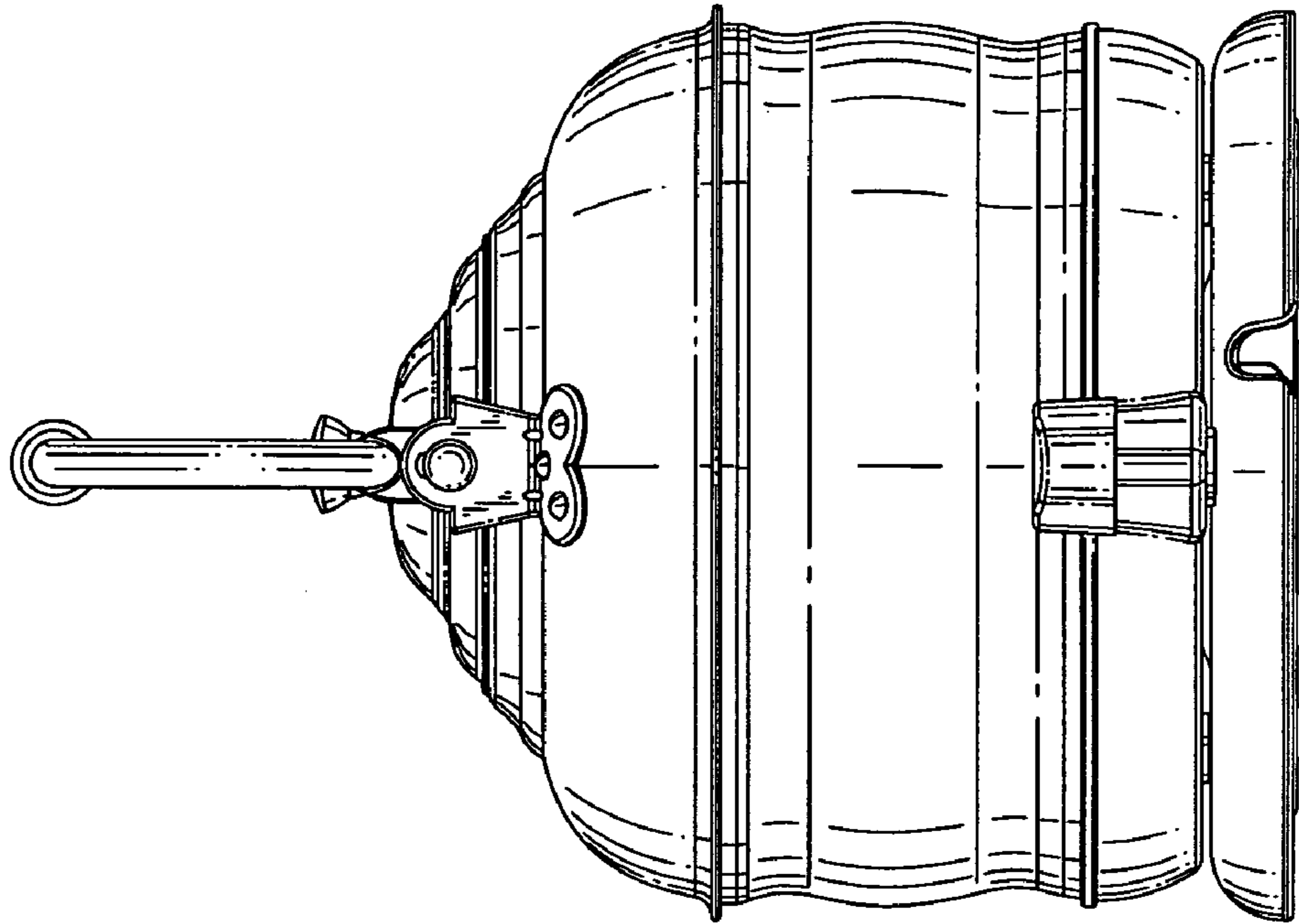


FIG. 5

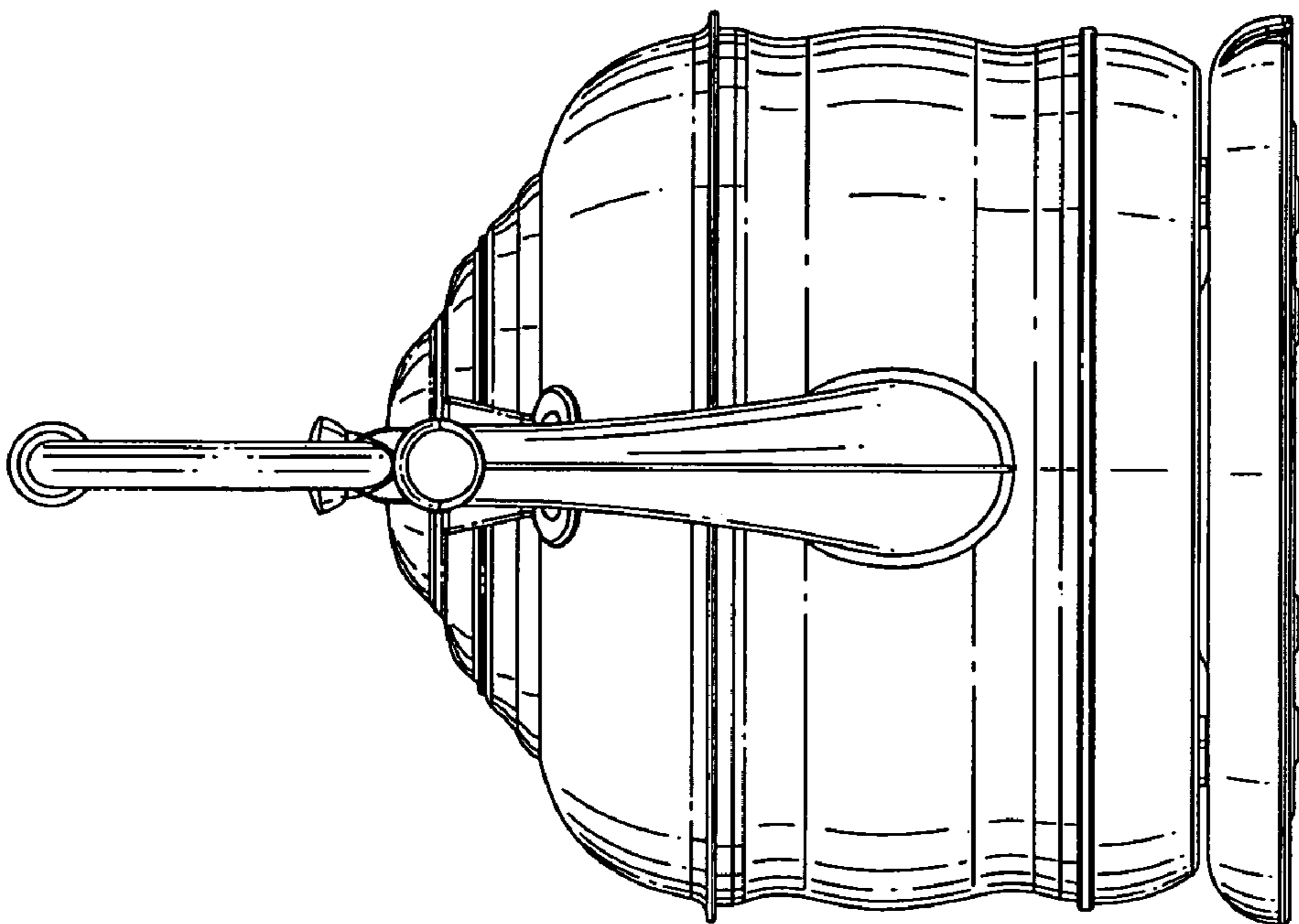


FIG. 6

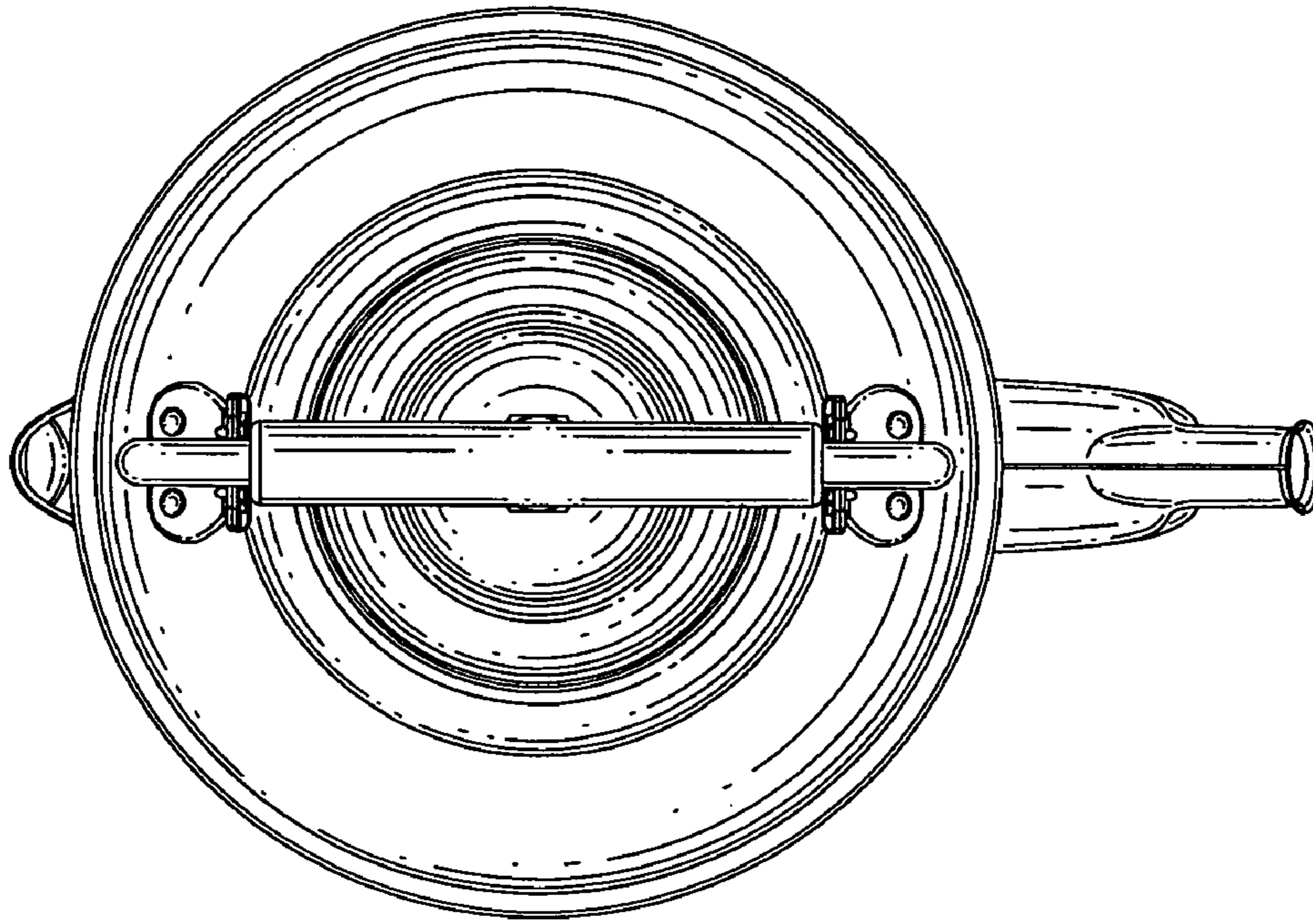


FIG. 8

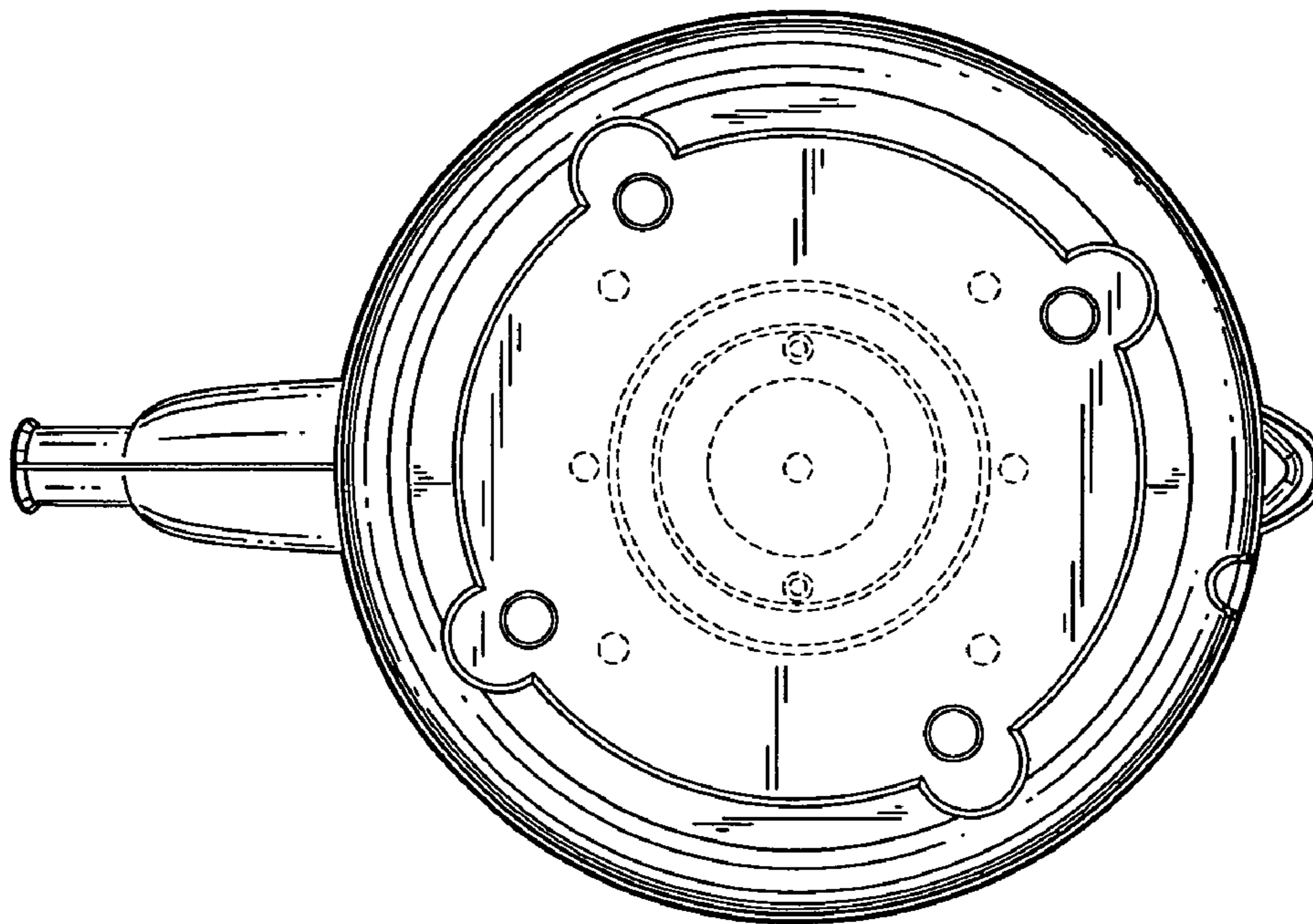


FIG. 7