



US00D547997S

(12) **United States Design Patent**
Parcels

(10) **Patent No.:** **US D547,997 S**

(45) **Date of Patent:** **** Aug. 7, 2007**

(54) **PITCHER**

(75) Inventor: **John LeRoy Parcels**, Columbus, NJ
(US)

(73) Assignee: **Citrus World, Inc.**, Lake Wales, FL
(US)

(**) Term: **14 Years**

(21) Appl. No.: **29/244,757**

(22) Filed: **Dec. 14, 2005**

(51) **LOC (8) Cl.** **07-01**

(52) **U.S. Cl.** **D7/319; D9/531; D9/543;**
D9/528; D9/551

(58) **Field of Classification Search** D7/300,
D7/316-319, 321, 311; 99/323.3, 307, 285;
215/12.1, 13.1, 370, 398; 222/505, 131,
222/470, 144.5, 566, 25, 23, 188, 109; 220/4.01,
220/504; 210/85, 121, 282, 232; D23/209;
62/457.3, 457.2; 206/459.5; D9/531, 528,
D9/520, 516, 523, 543, 551, 575, 563, 564
See application file for complete search history.

(56) **References Cited**

U.S. PATENT DOCUMENTS

D223,995 S * 6/1972 Beaver D9/536
D258,802 S * 4/1981 Beaver D9/531
D311,864 S * 11/1990 Davis D9/528
D391,856 S * 3/1998 Lynd D9/531

D447,696 S * 9/2001 Weber D9/531
D474,113 S * 5/2003 Hansen D9/531
D483,599 S * 12/2003 Huang D7/319
D525,137 S * 7/2006 Helps D9/528
D525,470 S * 7/2006 Morgan D7/319

* cited by examiner

Primary Examiner—M. N. Pandozzi

(74) *Attorney, Agent, or Firm*—Lott & Friedland, P.A.

(57) **CLAIM**

The ornamental design for a pitcher, substantially as shown and described.

DESCRIPTION

FIG. 1 is a top front right side perspective view of my new design;

FIG. 2 is a bottom back left side perspective view of my new design;

FIG. 3 is a front elevational view of the design of FIG. 1;

FIG. 4 is a rear elevational view of the design of FIG. 1;

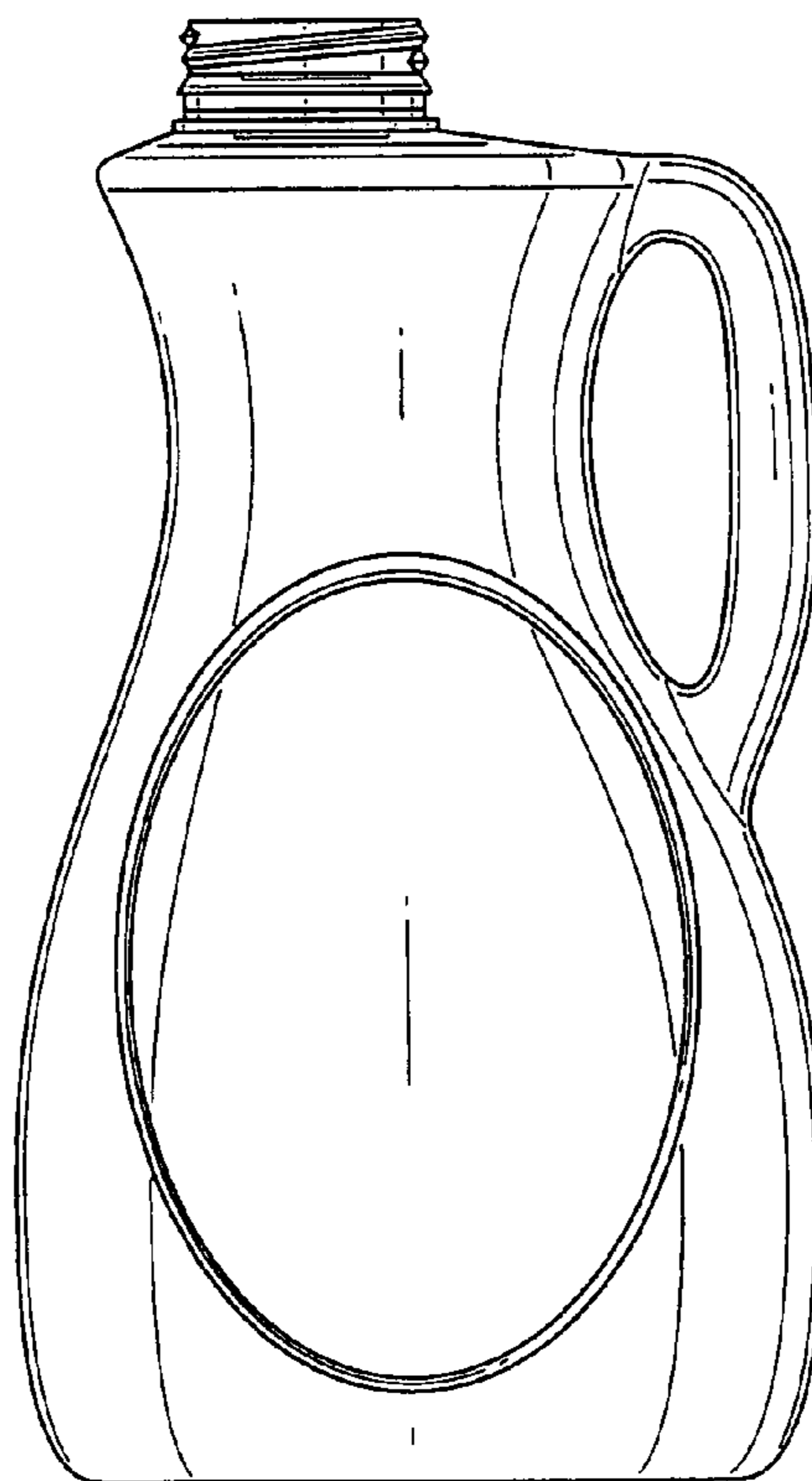
FIG. 5 is a right side elevational view of the design of FIG. 3;

FIG. 6 is a left side elevational view of the design of FIG. 3;

FIG. 7 is a top view of the design of FIG. 3; and,

FIG. 8 is a bottom view of the design of FIG. 3.

1 Claim, 4 Drawing Sheets



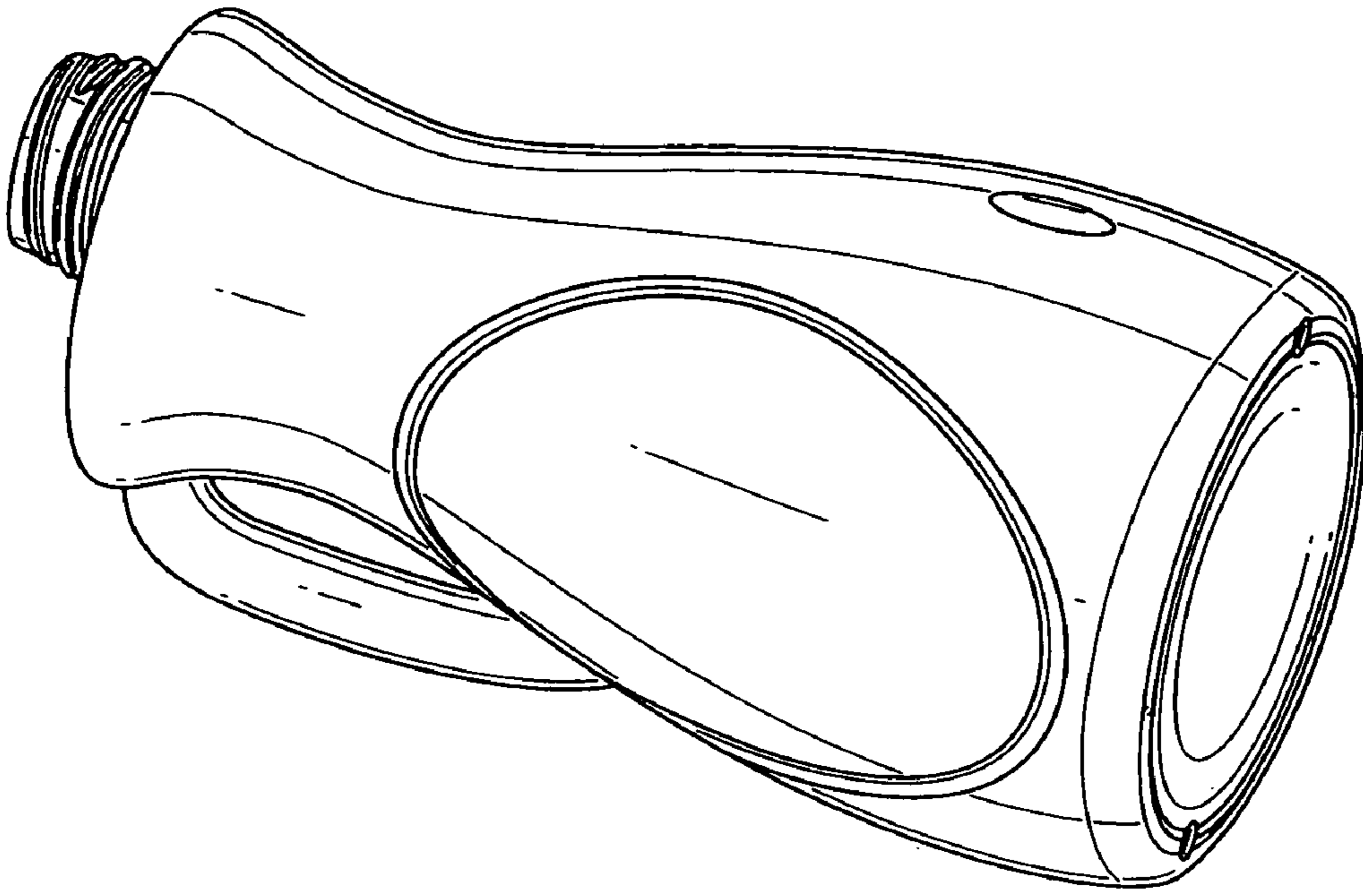


FIG. 2

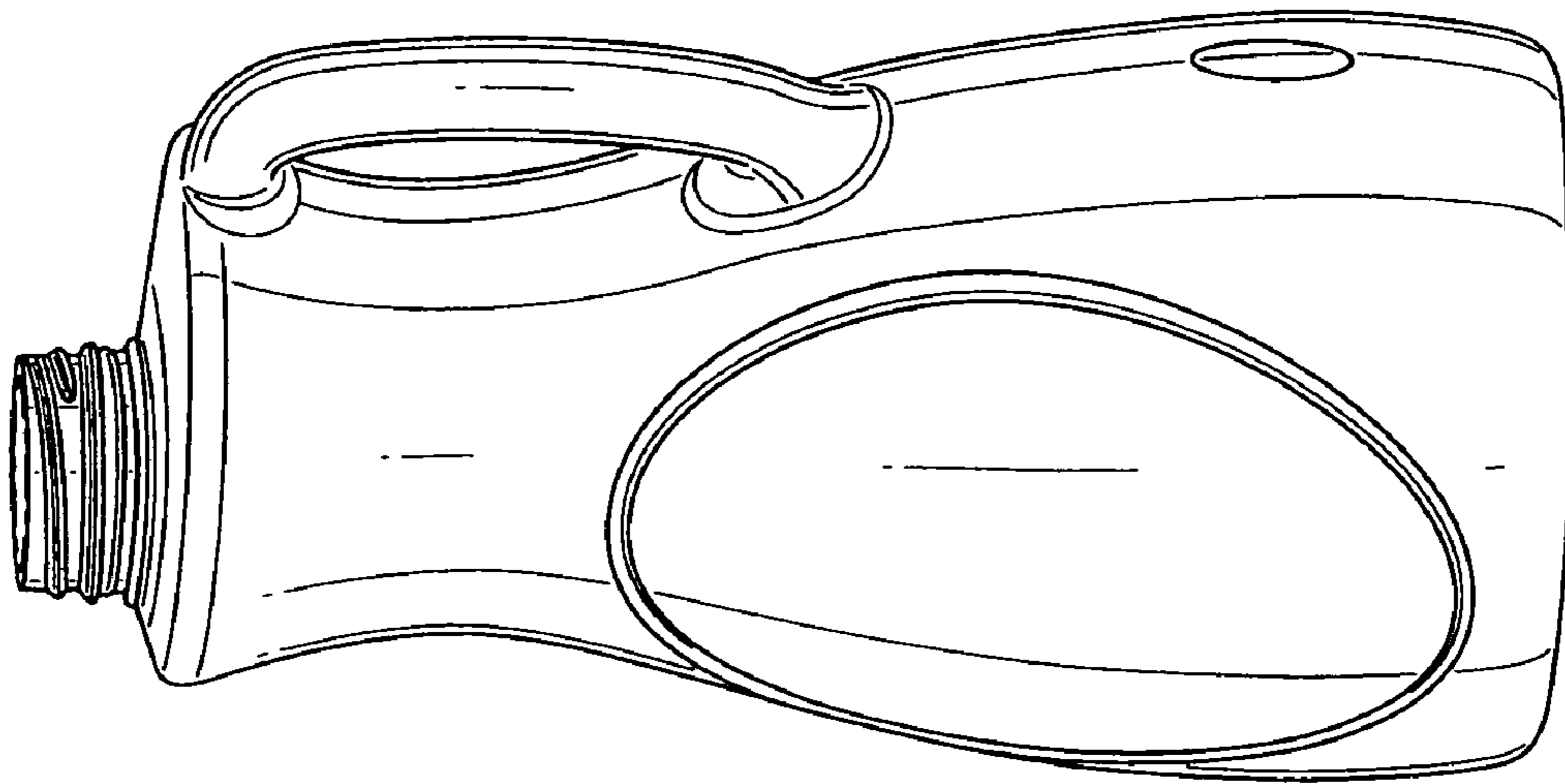


FIG. 1

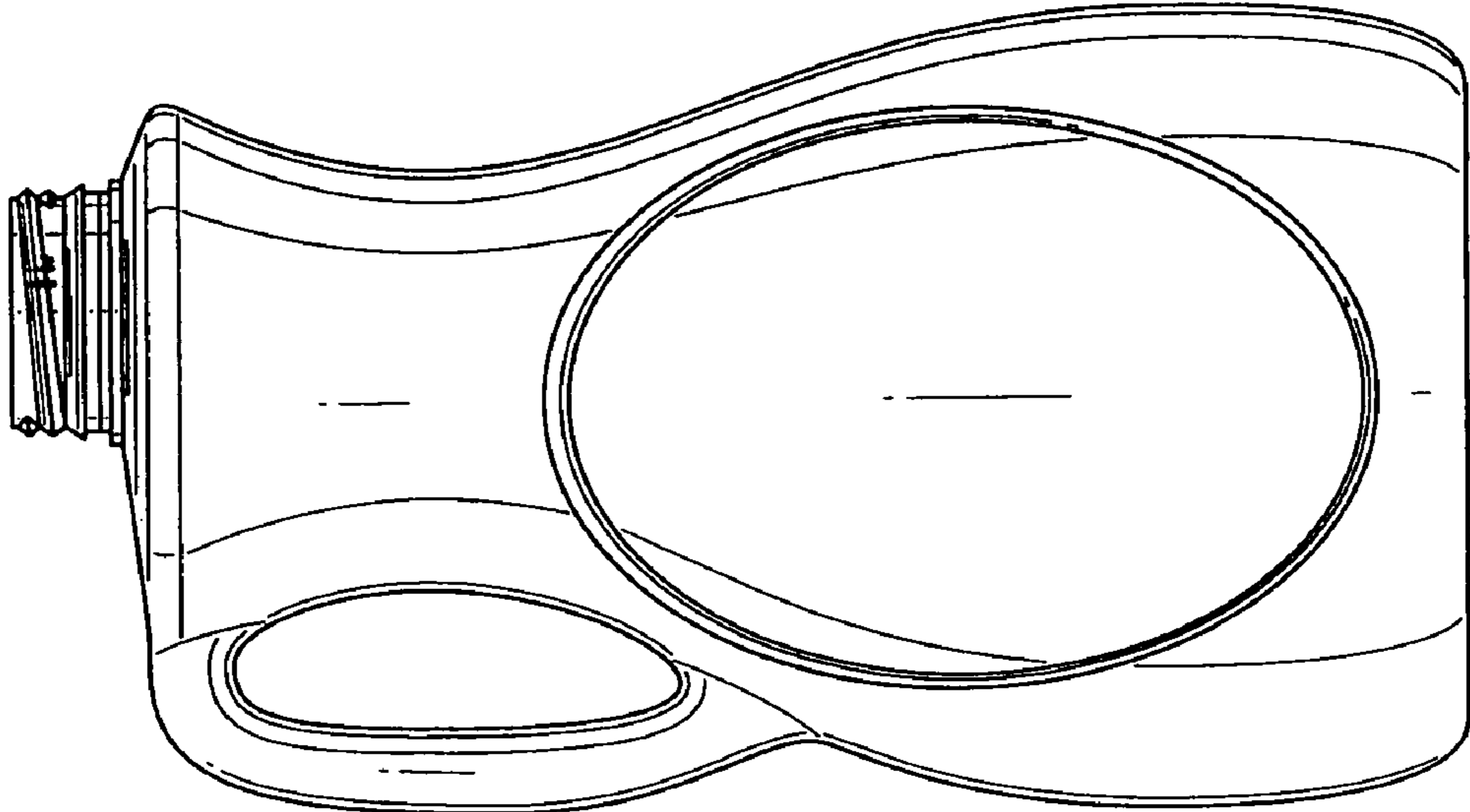


FIG. 4

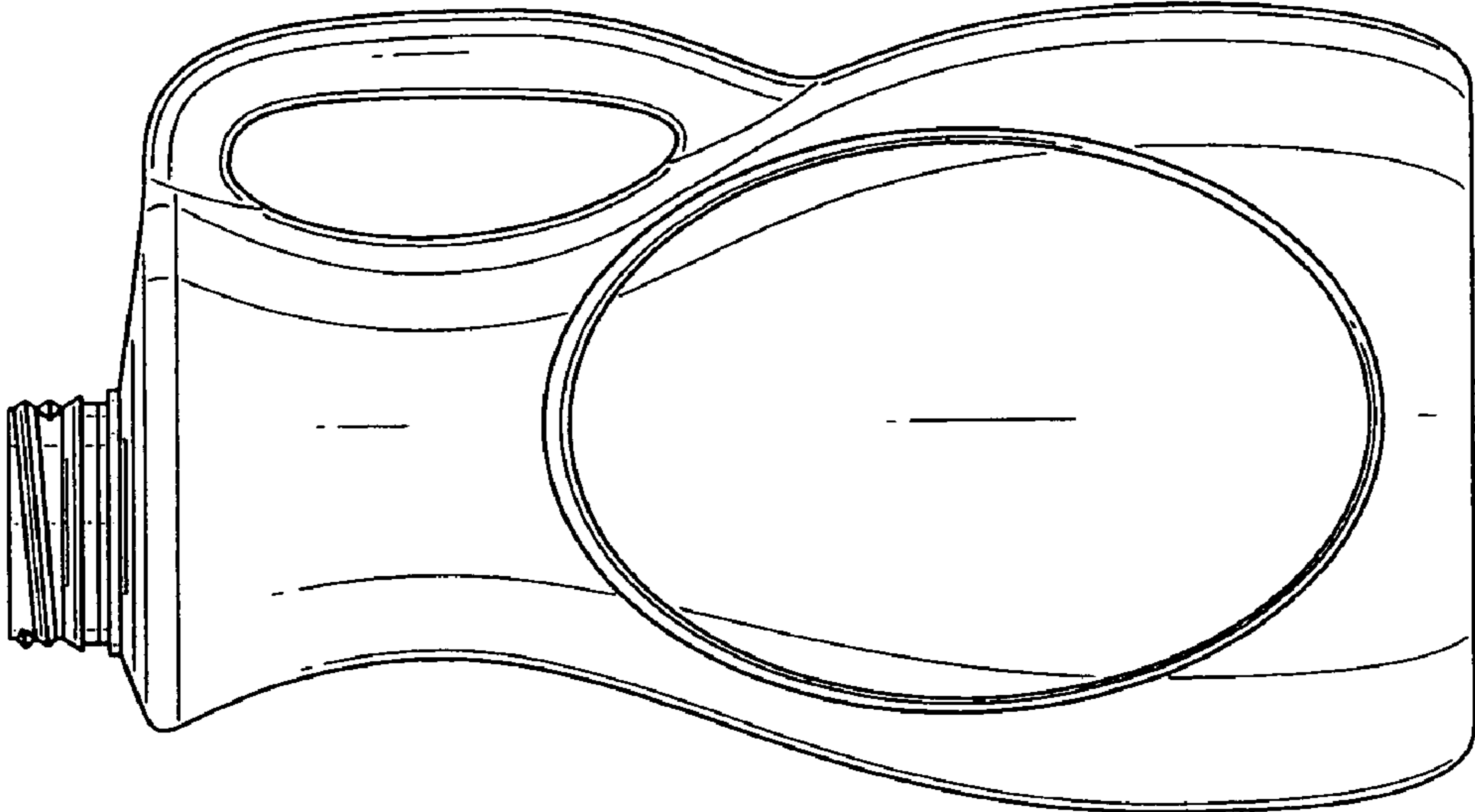


FIG. 3

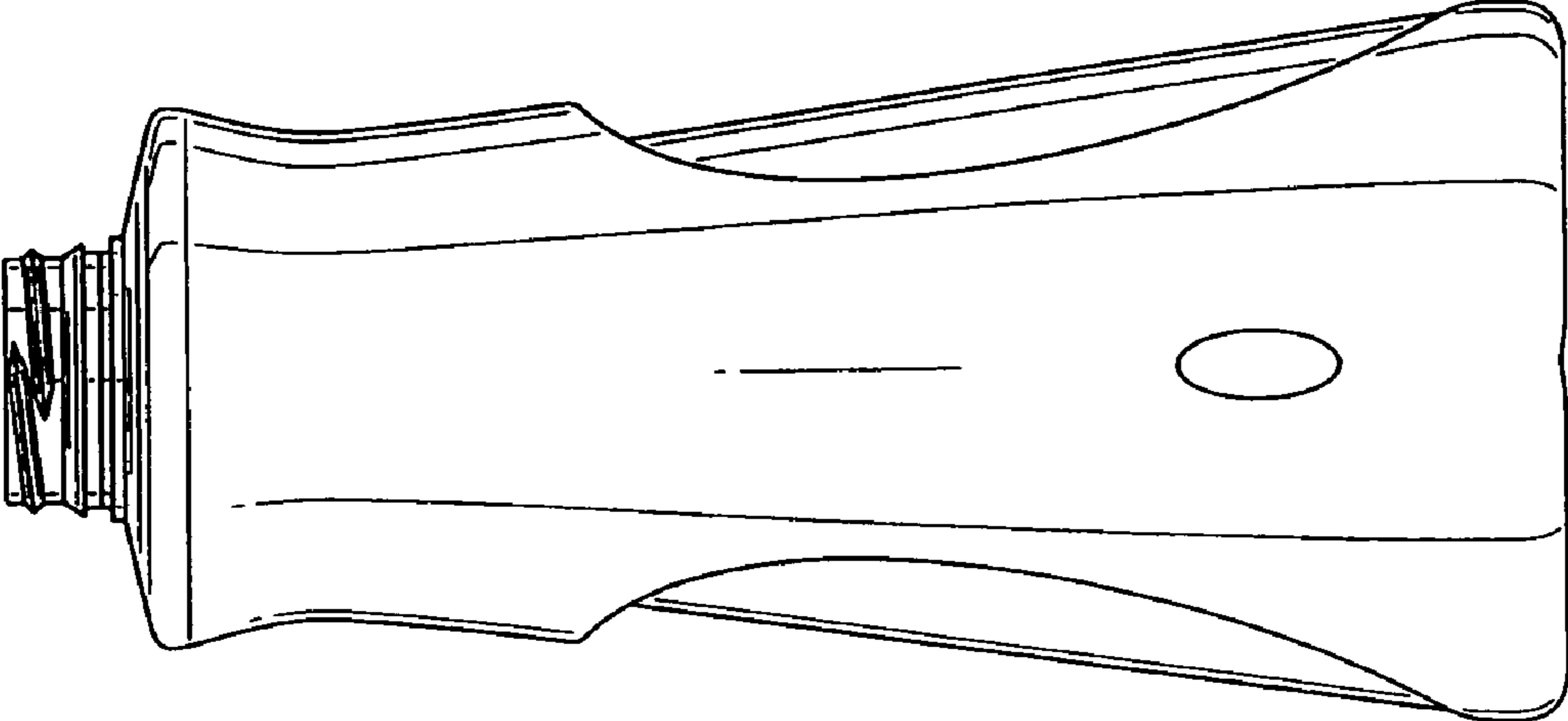


FIG. 6

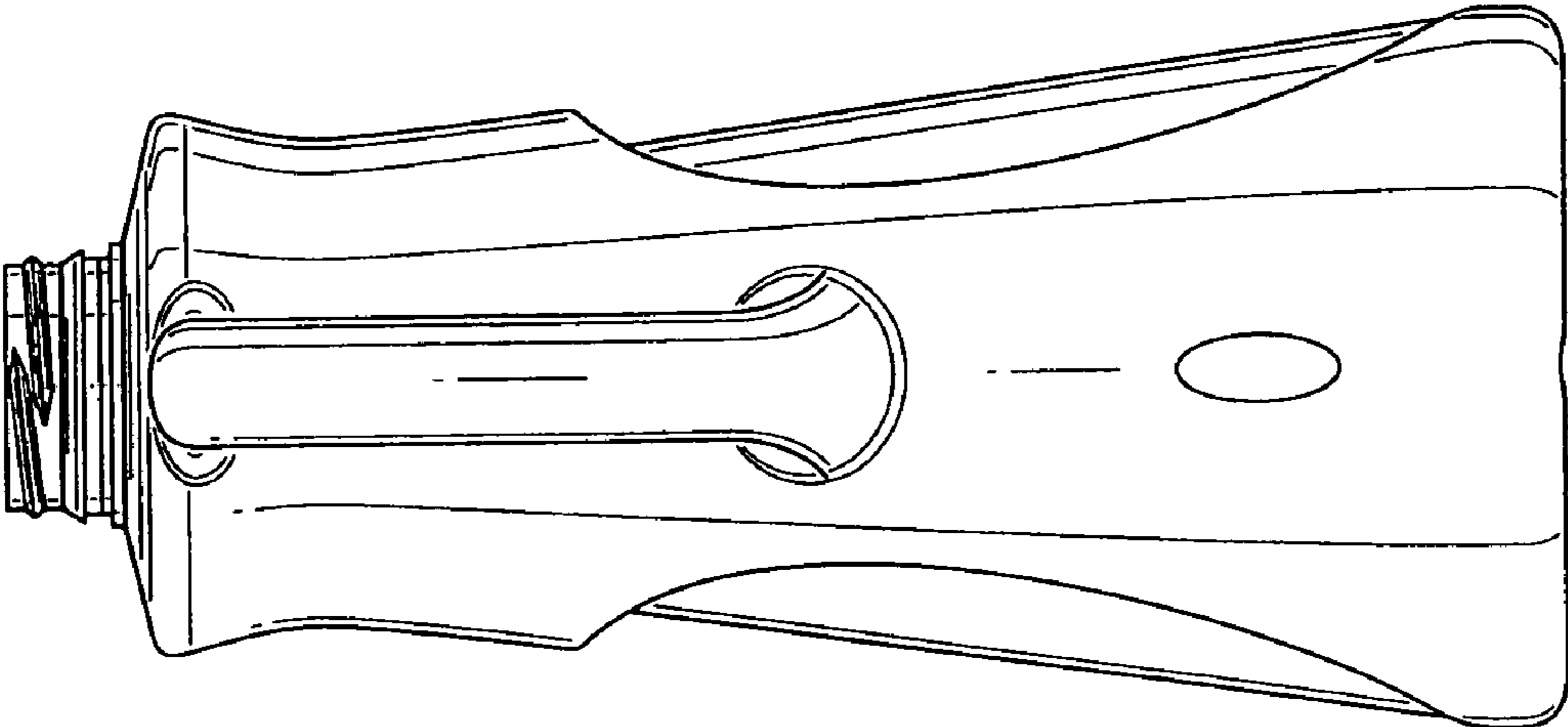


FIG. 5

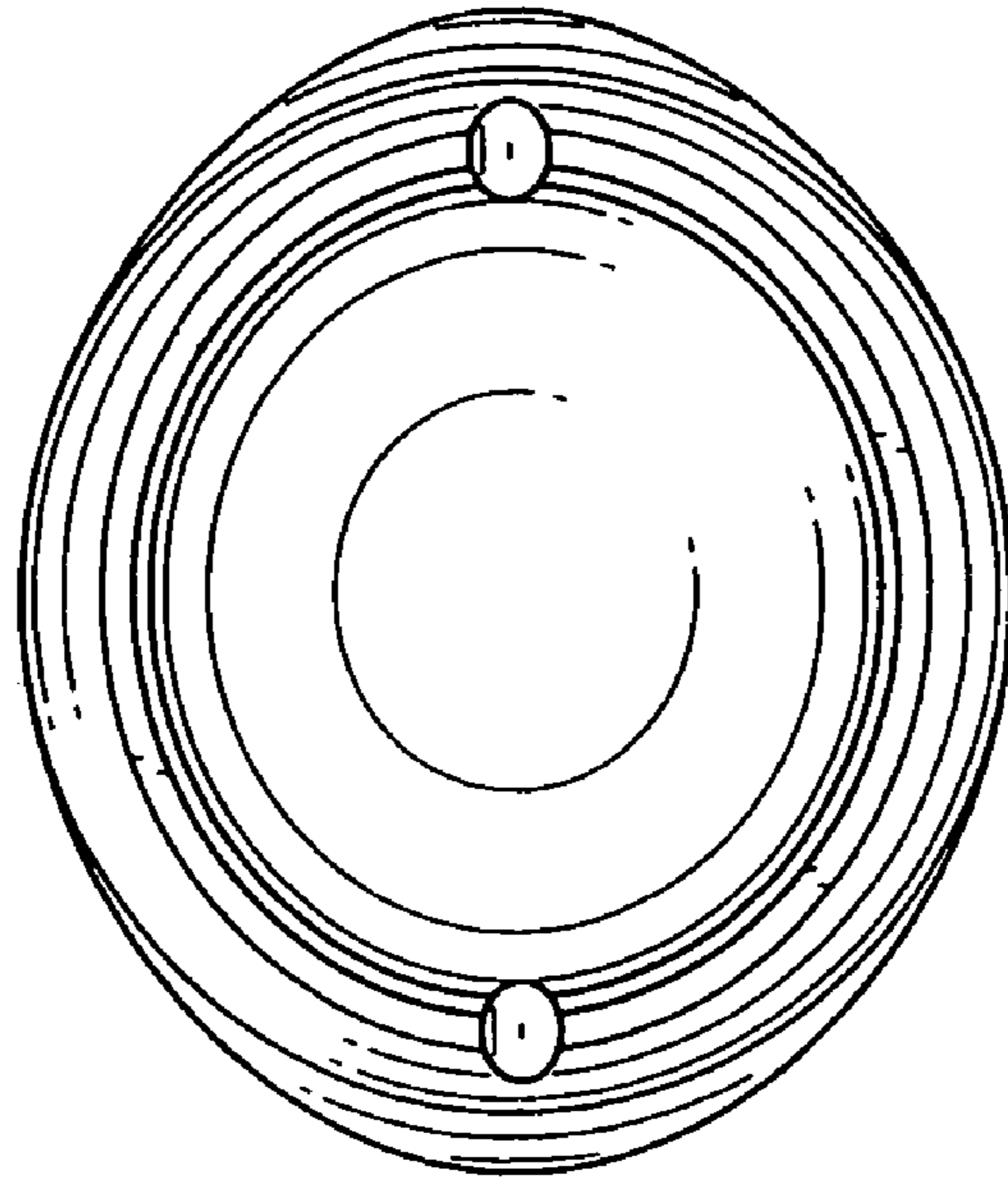


FIG. 8

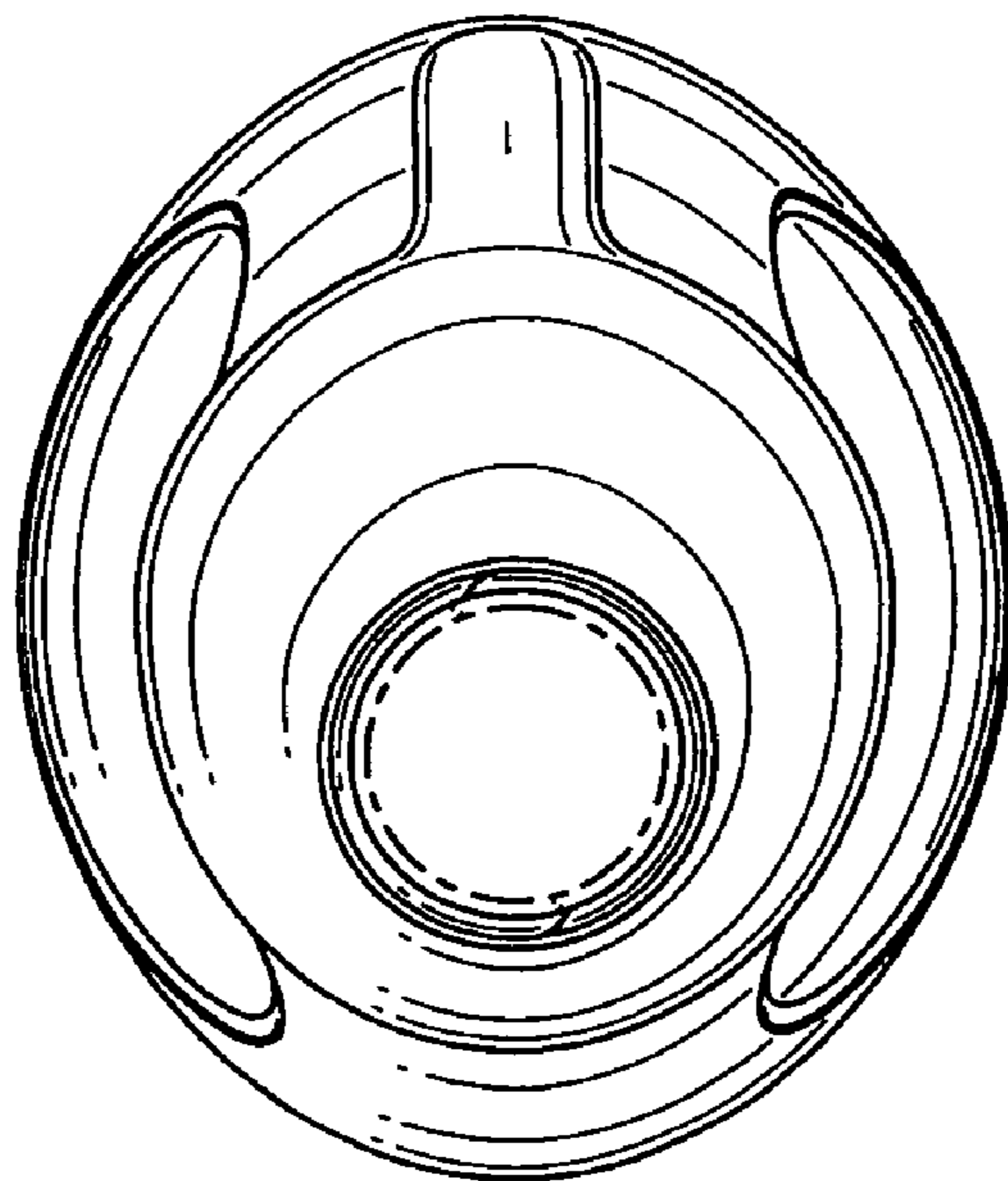


FIG. 7