

US00D547993S

(12) **United States Design Patent**  
**Oren et al.**

(10) **Patent No.:** **US D547,993 S**

(45) **Date of Patent:** **\*\* Aug. 7, 2007**

(54) **ACTIVITY MAT**

(75) Inventors: **Shoshana Oren**, Tel Aviv (IL); **Asaf Eshet**, Tel Aviv (IL); **Oded Davidovich**, Yaffo (IL)

(73) Assignee: **Tiny Love Ltd.**, Tel Aviv (IL)

(\*\*) Term: **14 Years**

(21) Appl. No.: **29/260,996**

(22) Filed: **Jun. 6, 2006**

(30) **Foreign Application Priority Data**

Dec. 7, 2005 (IL) ..... 41704

(51) **LOC (8) Cl.** ..... **06-11**

(52) **U.S. Cl.** ..... **D6/582**

(58) **Field of Classification Search** ..... D6/582-594,  
D6/601, 603, 596; D19/59, 64; D21/398,  
D21/404, 476; 5/417, 655; 211/47; 466/219  
See application file for complete search history.

(56) **References Cited**

**U.S. PATENT DOCUMENTS**

D318,689	S	*	7/1991	Watkins	.....	D19/64
5,103,514	A	*	4/1992	Leach	.....	5/417
5,370,460	A	*	12/1994	Nelson	.....	383/4
D359,869	S	*	7/1995	Oren	.....	D6/596
D378,969	S	*	4/1997	Roan	.....	D6/603
D392,320	S	*	3/1998	Weed	.....	D19/59
D393,877	S	*	4/1998	Allegre	.....	D19/59
D397,902	S	*	9/1998	Knorrek	.....	D6/601
D402,711	S	*	12/1998	Wrenn et al.	.....	D21/476
D420,059	S	*	2/2000	Albus	.....	D21/404
D427,646	S	*	7/2000	Johnson	.....	D21/476
6,237,782	B1	*	5/2001	Hunn	.....	211/47
D451,958	S	*	12/2001	Walch	.....	D19/59
D457,195	S	*	5/2002	Thadani	.....	D21/398

6,419,543	B1	*	7/2002	Burrows	.....	446/219
6,574,812	B2	*	6/2003	Jakubowski et al.	.....	5/658
D487,665	S	*	3/2004	Bourget	.....	D6/582
D489,560	S	*	5/2004	Bourget	.....	D6/582
D496,551	S	*	9/2004	Bourget	.....	D6/582
7,117,552	B2	*	10/2006	Hoffman	.....	5/655

\* cited by examiner

*Primary Examiner*—T. Chase Nelson

*Assistant Examiner*—Barbara Blanton Lohr

(74) *Attorney, Agent, or Firm*—Browdy and Neimark, PLLC

(57) **CLAIM**

The ornamental design for an activity mat, as shown and described.

**DESCRIPTION**

FIG. 1 is a perspective view of an activity mat with a flap in a first position;

FIG. 2 is a perspective view of the activity mat with a flap in a second position;

FIG. 3 is a right side view of the activity mat with the flap in the second position;

FIG. 4 is a left side view of the activity mat with the flap in the first position;

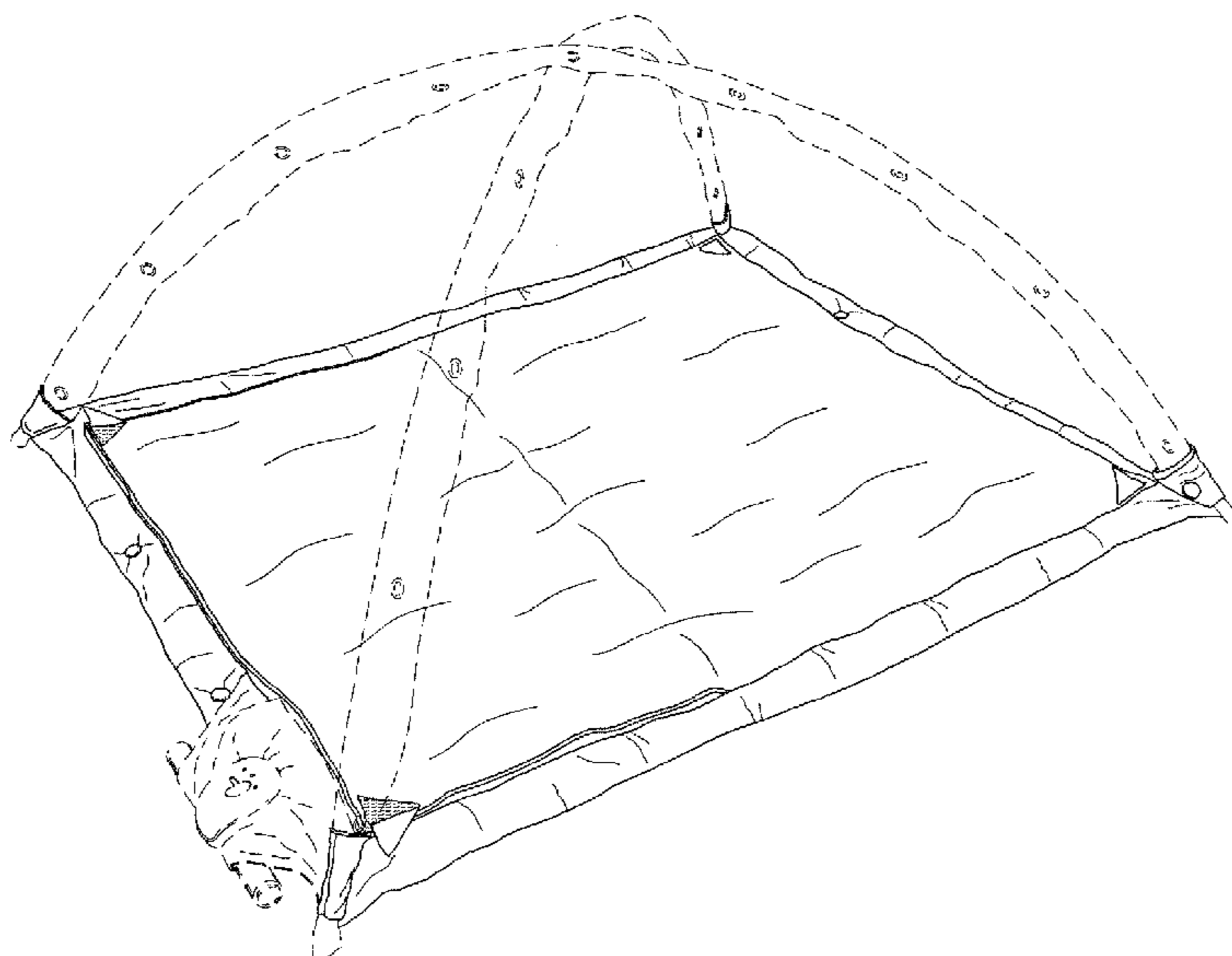
FIG. 5 is a top view of the activity mat with the flap in the first position;

FIG. 6 is a bottom view of the activity mat; and,

FIG. 7 is perspective view of an activity mat with a flap in an intermediate position.

The broken line showing of environmental structure is for illustrative purposes only and forms no part of the claimed design.

**1 Claim, 7 Drawing Sheets**



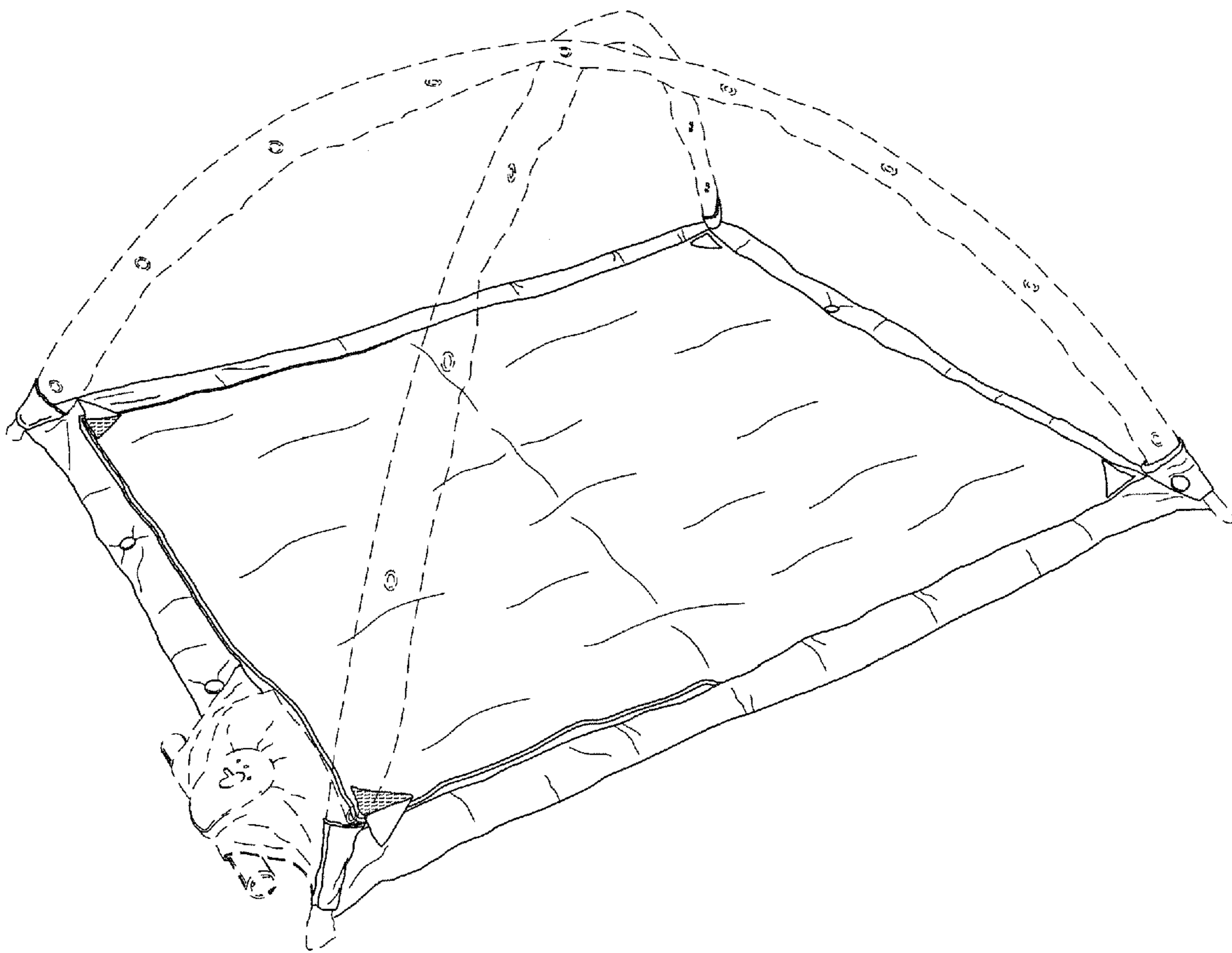


FIG.1

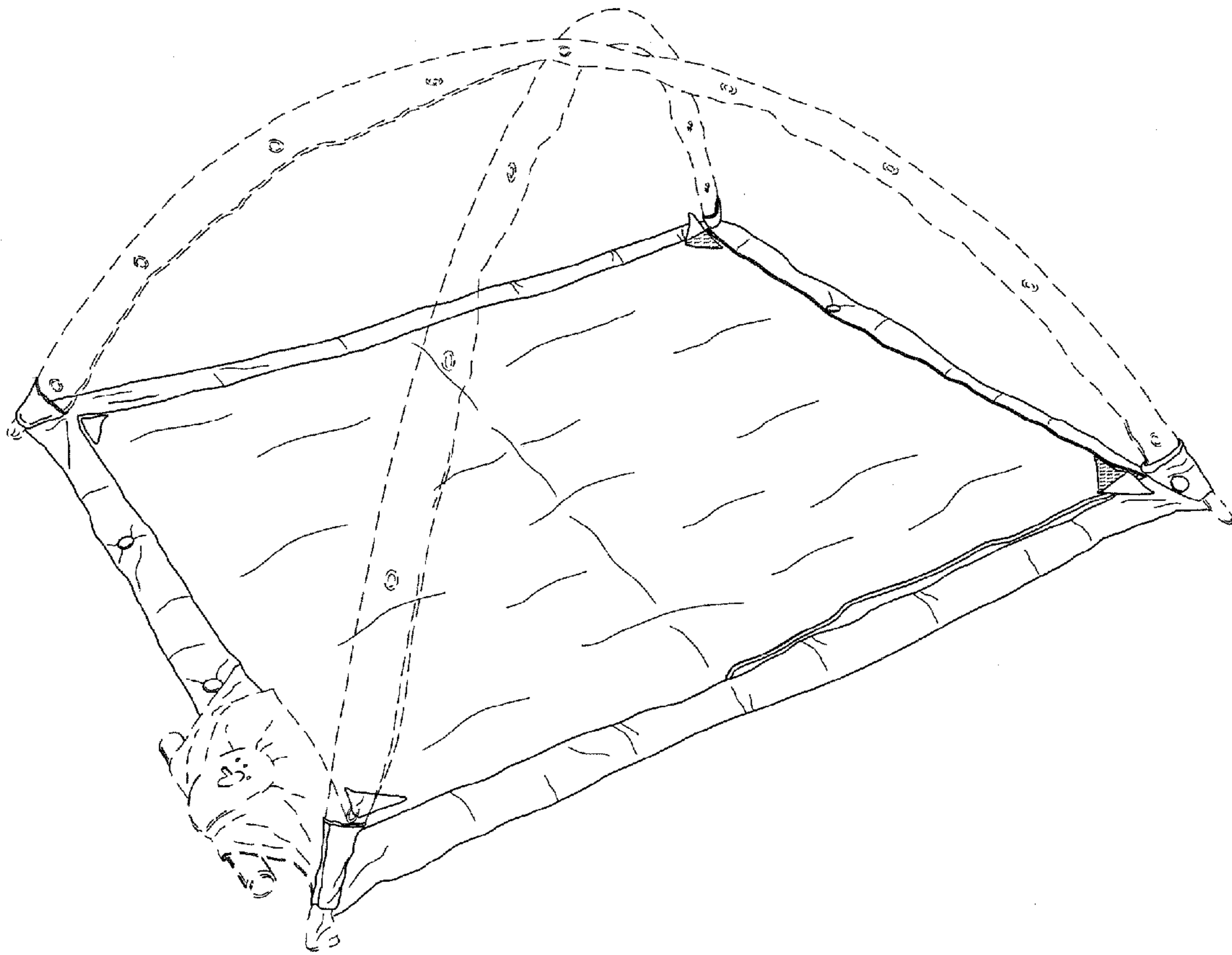


FIG.2

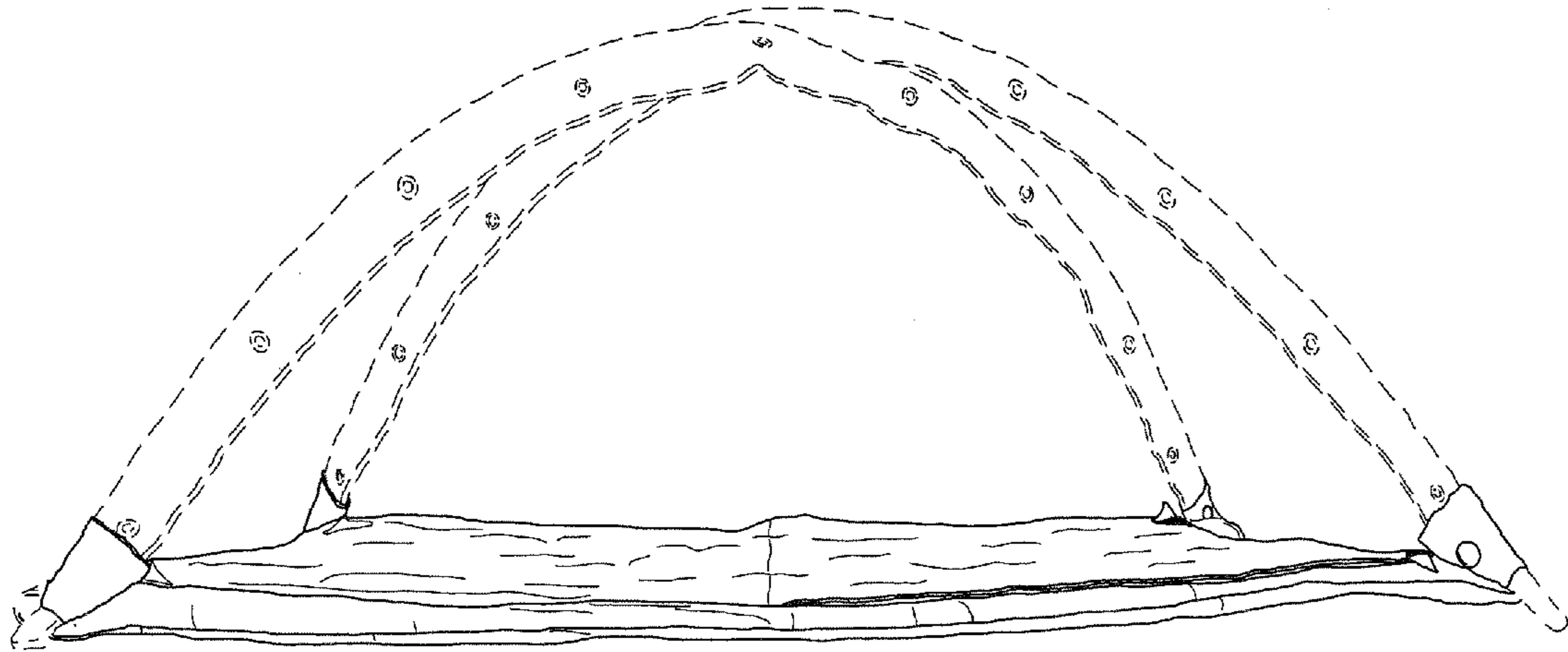


FIG.3

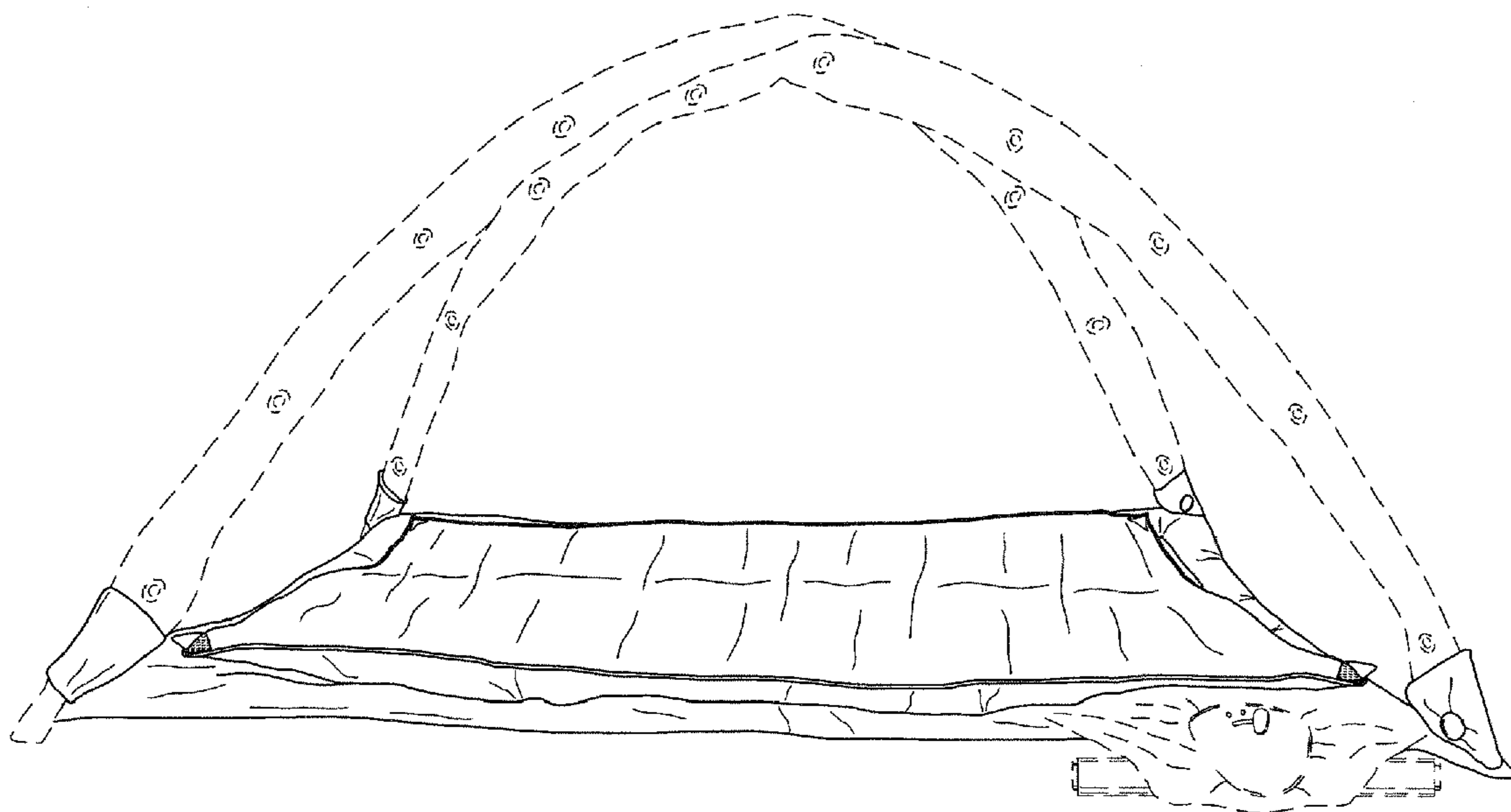


FIG.4

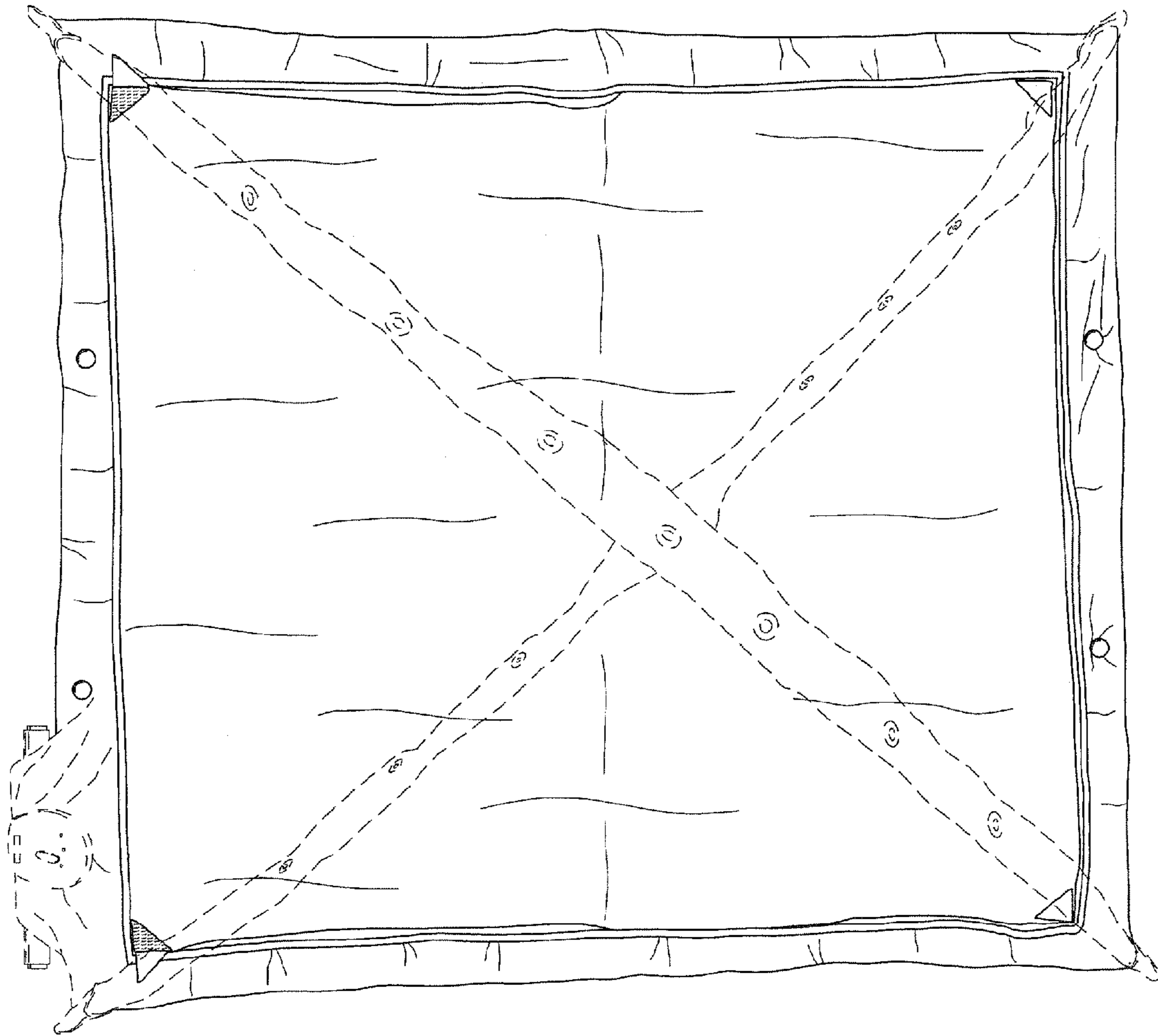


FIG.5

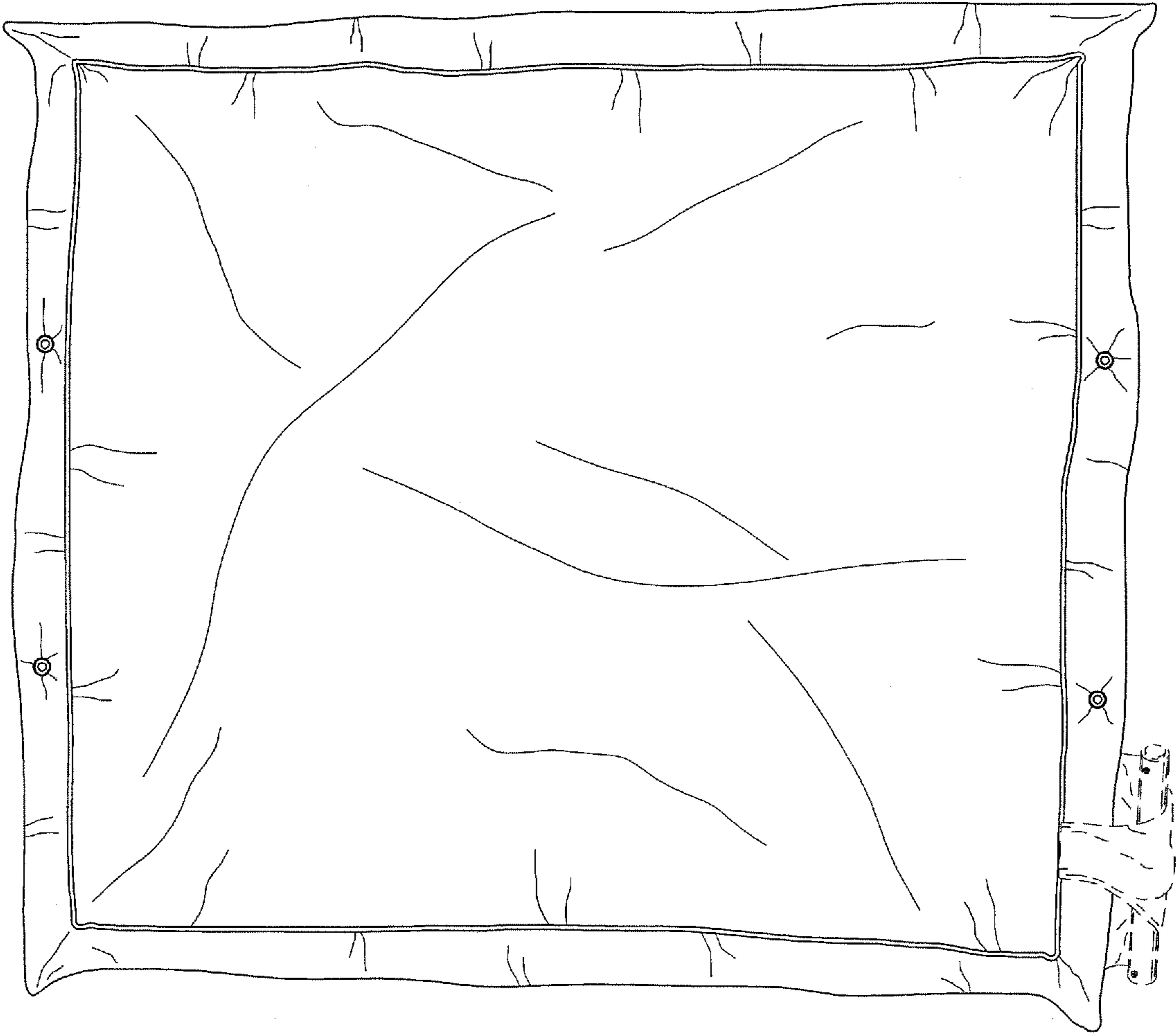


FIG.6

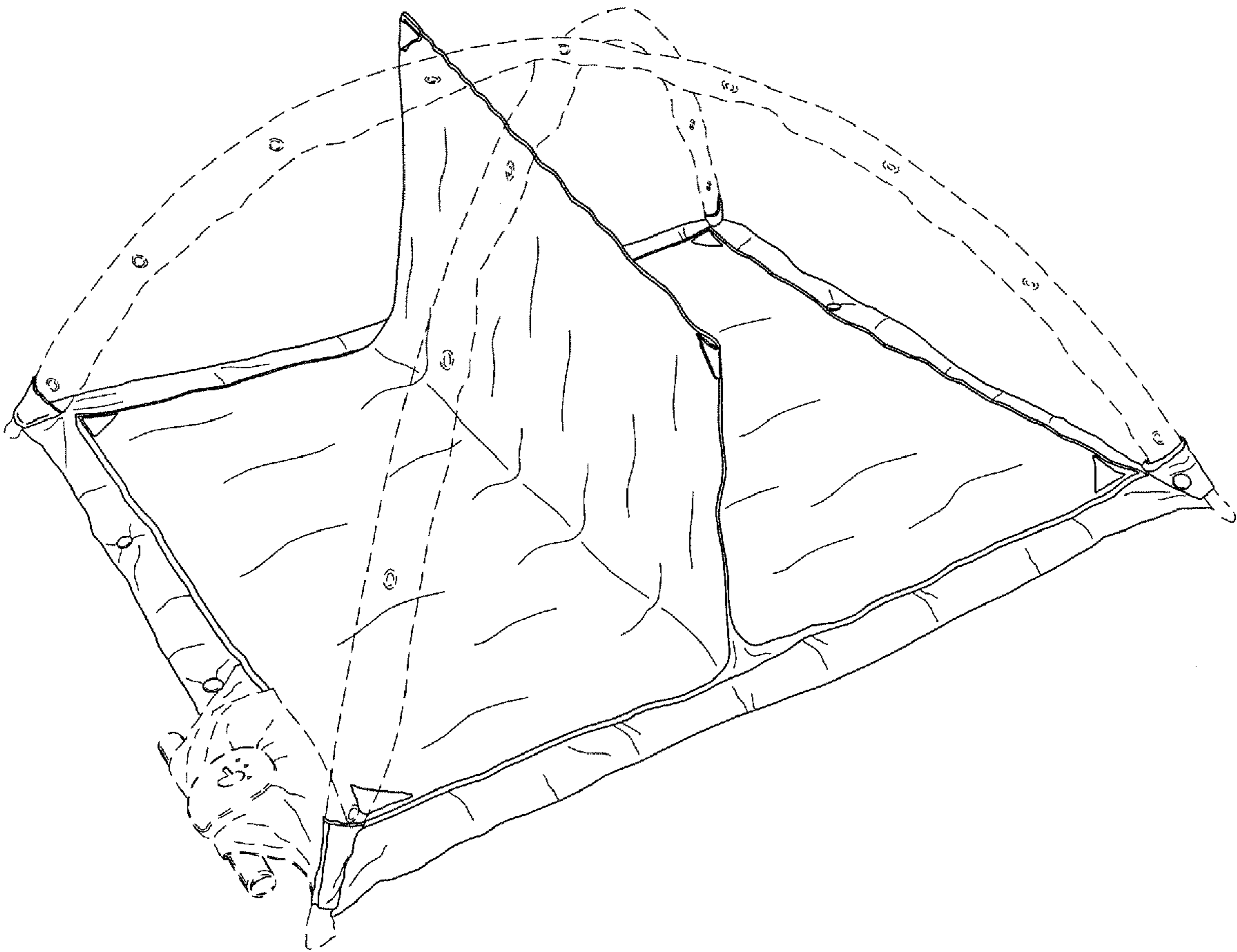


FIG. 7