



US00D547991S

(12) **United States Design Patent**
Kubota

(10) **Patent No.:** **US D547,991 S**

(45) **Date of Patent:** **** Aug. 7, 2007**

(54) **BOOK HOLDER FOR A READER**

D520,794 S * 5/2006 Grover D6/567

(75) Inventor: **Harunobu Kubota**, Tokyo (JP)

* cited by examiner

(73) Assignee: **Sugatsune Kogyo Co., Ltd.**,
Chiyoda-ku, Tokyo (JP)

Primary Examiner—Brian N Vinson

(74) *Attorney, Agent, or Firm*—Bacon & Thomas PLLC

(**) Term: **14 Years**

(57) **CLAIM**

(21) Appl. No.: **29/236,366**

The ornamental design for a book holder for a reader, as shown and described.

(22) Filed: **Aug. 16, 2005**

(30) **Foreign Application Priority Data**

Feb. 23, 2005 (JP) 2005-004898

DESCRIPTION

(51) **LOC (8) Cl.** **06-04**

FIG. 1 is a front elevational view of a book holder for a reader showing my new design;

(52) **U.S. Cl.** **D6/567**

FIG. 2 is a left side elevational view thereof;

(58) **Field of Classification Search** D6/553,
D6/567, 572, 574; 108/28–29; 248/235,
248/309.1; 211/13.1, 42, 71.01, 86.01, 88.01,
211/88.03, 90.01, 90.03, 126.1, 133.5, 134,
211/153, 182

FIG. 3 is a rear elevational view thereof;

FIG. 4 is a top plan view thereof;

FIG. 5 is a bottom plan view thereof;

See application file for complete search history.

FIG. 6 is an enlarged vertical cross-sectional view thereof, taken along line A-A of FIG. 1;

FIG. 7 is an enlarged vertical cross-sectional view thereof, taken along line B-B of FIG. 1;

(56) **References Cited**

U.S. PATENT DOCUMENTS

D357,405 S * 4/1995 Philippi D8/373
D417,701 S * 12/1999 Jack D19/52
D419,350 S * 1/2000 Baron D6/553
D426,041 S * 5/2000 Boghossian D34/6
6,439,404 B1 * 8/2002 Steeg 211/87.01
D496,817 S * 10/2004 Martin D6/553
D512,254 S * 12/2005 Ottens D6/553

FIG. 8 is a top, front, and right side perspective view thereof; and,

FIG. 9 is a reduced top, front, and right side perspective view thereof.

The broken-line disclosure in the views is for illustrative purposes only and forms no part of the claimed design.

1 Claim, 4 Drawing Sheets

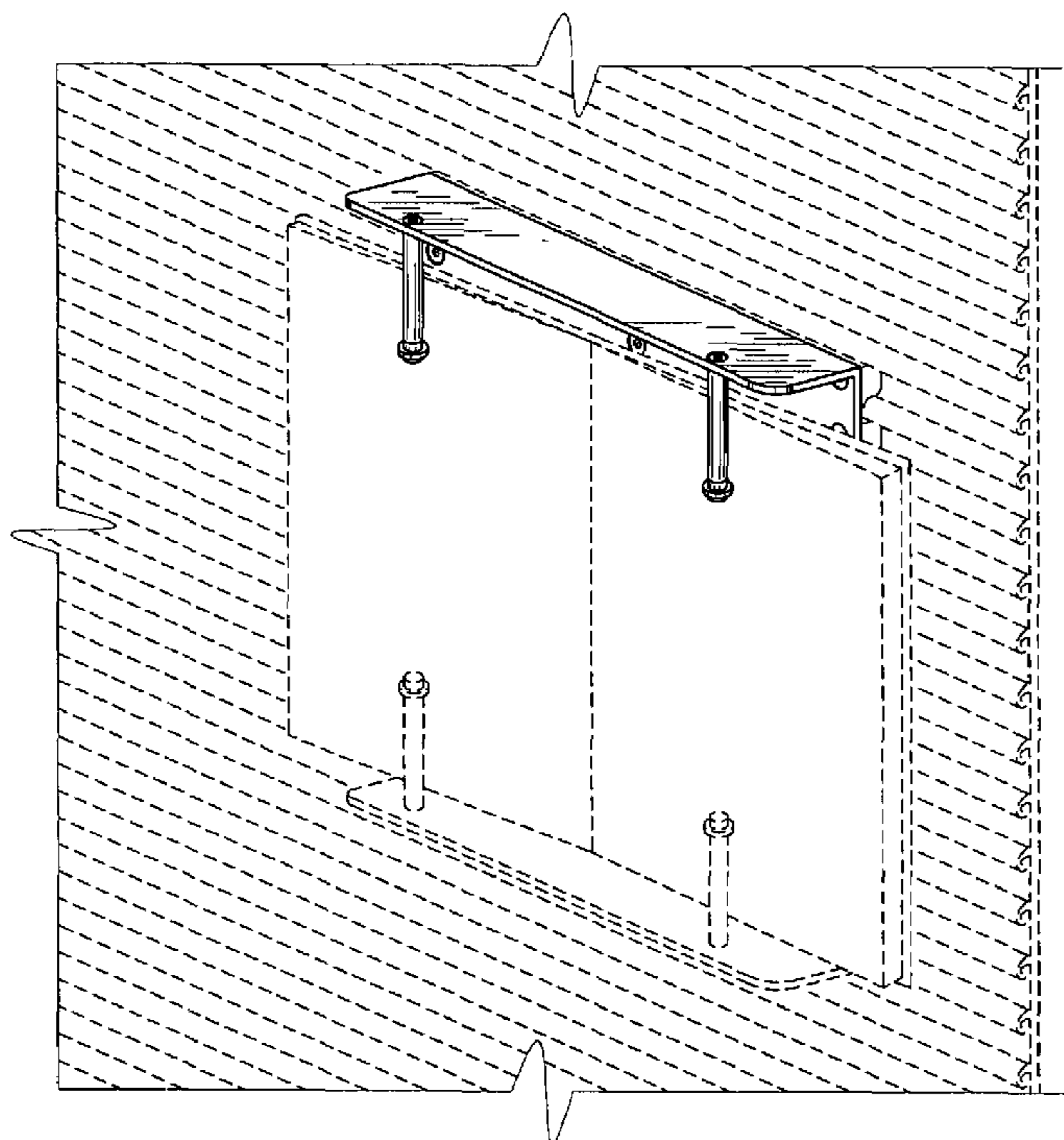


FIG. 1

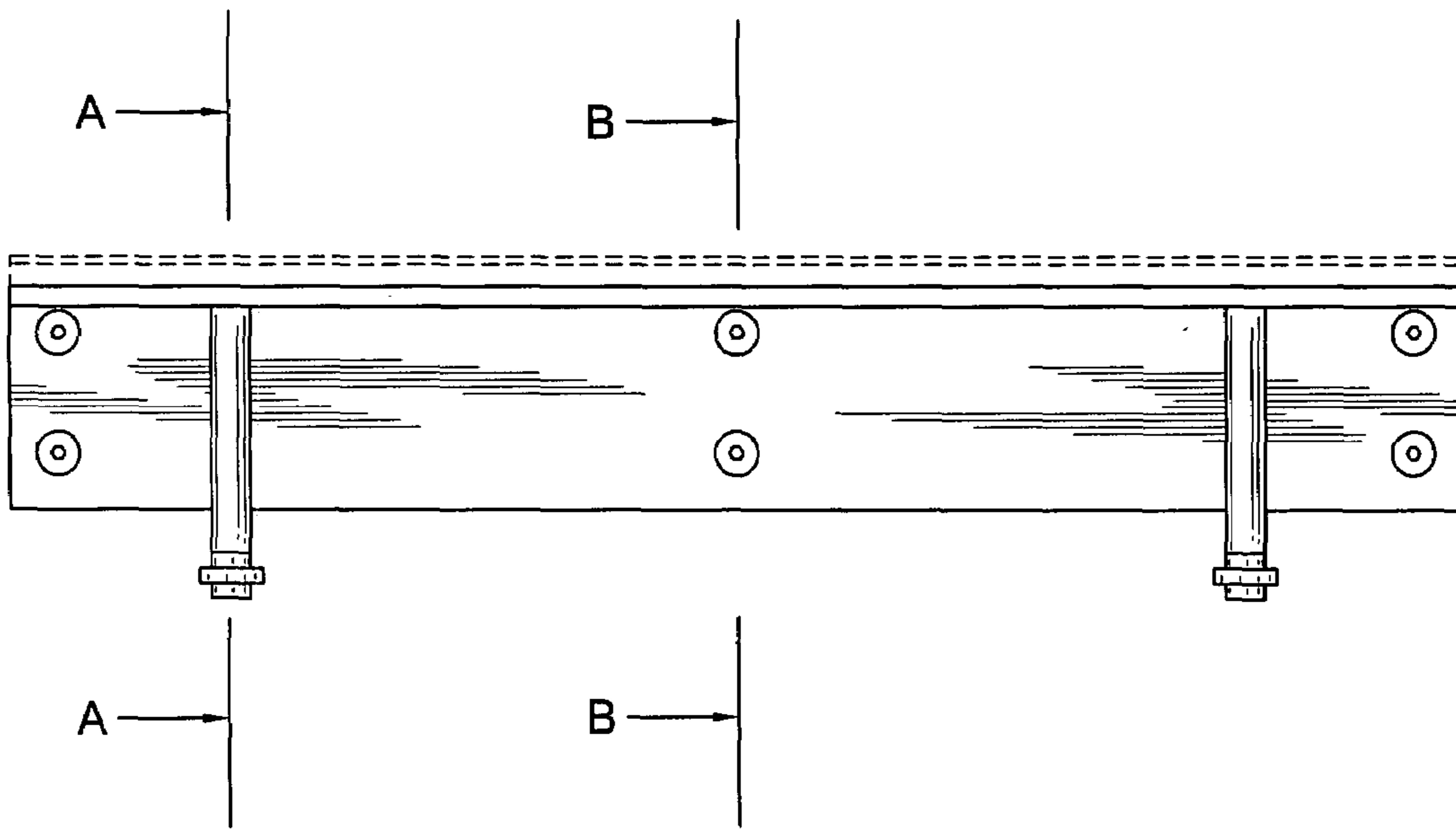


FIG. 2

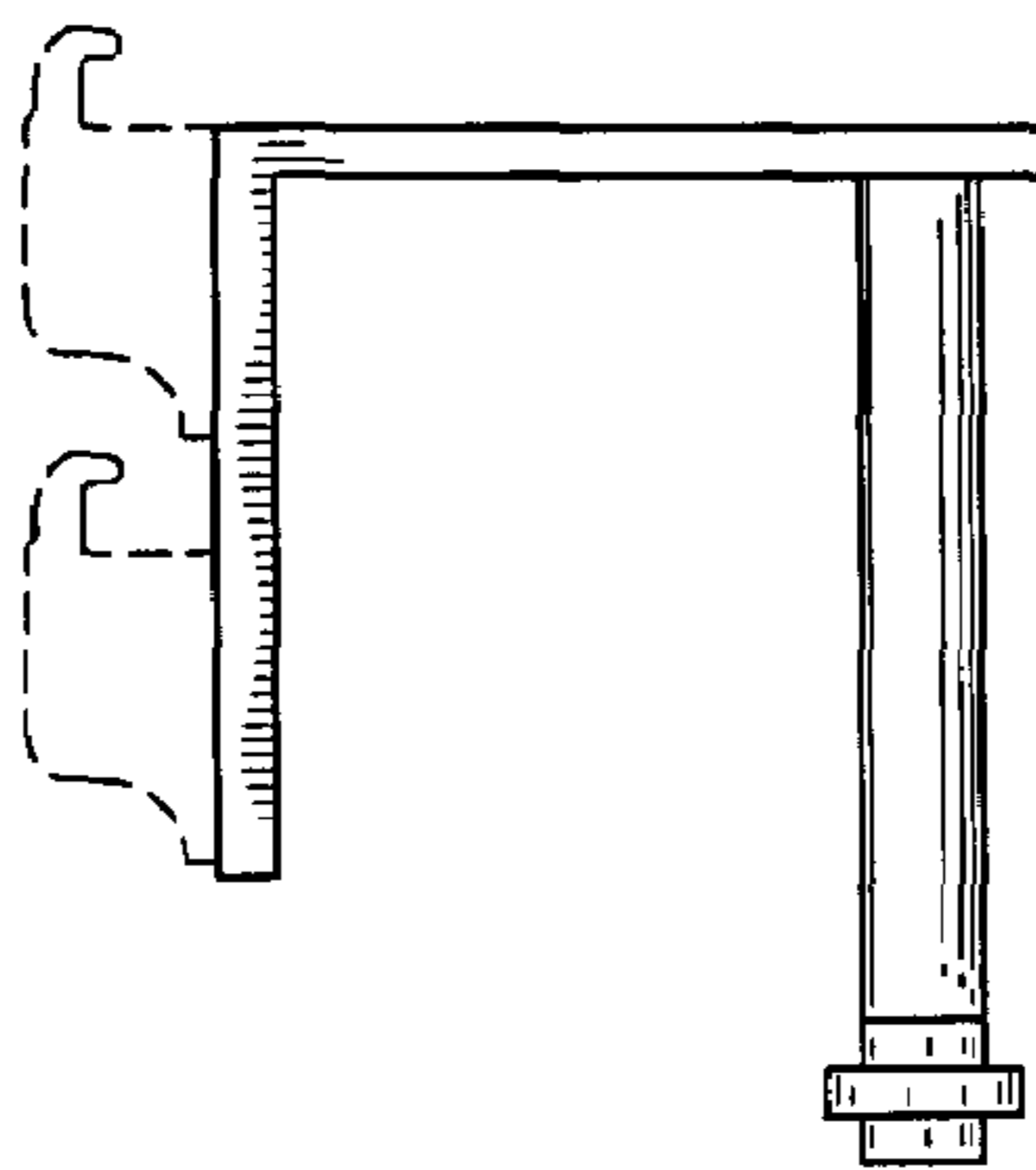


FIG. 3

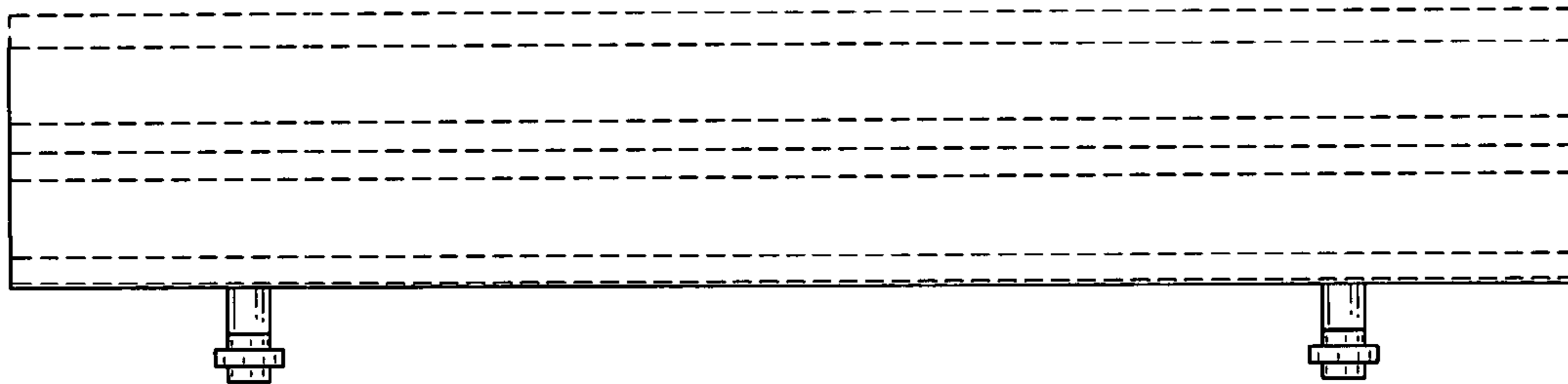


FIG. 4

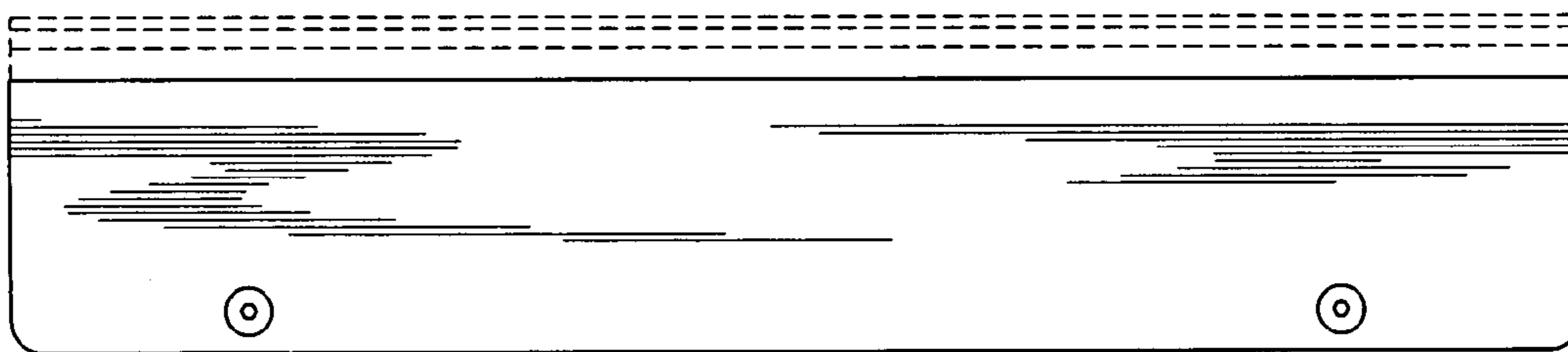


FIG. 5

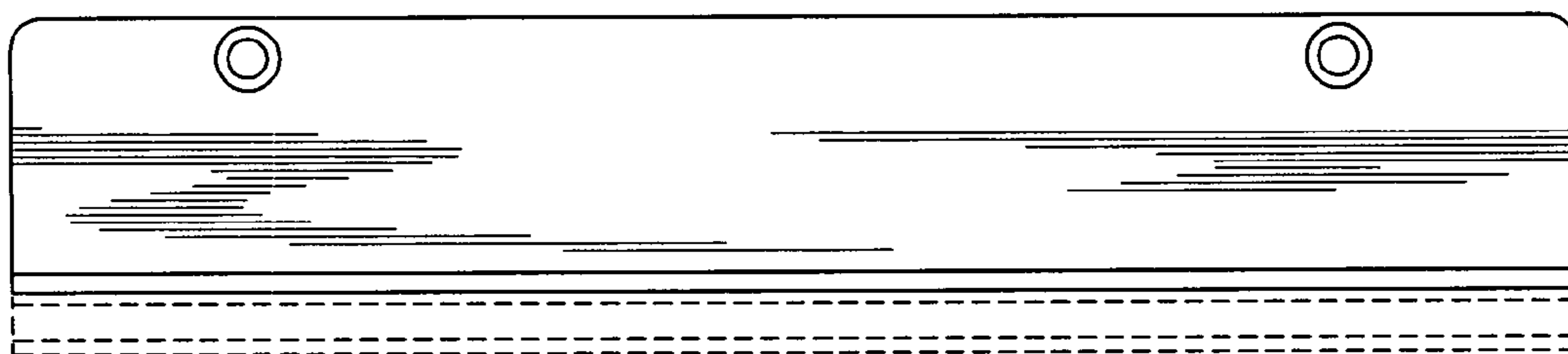


FIG. 6

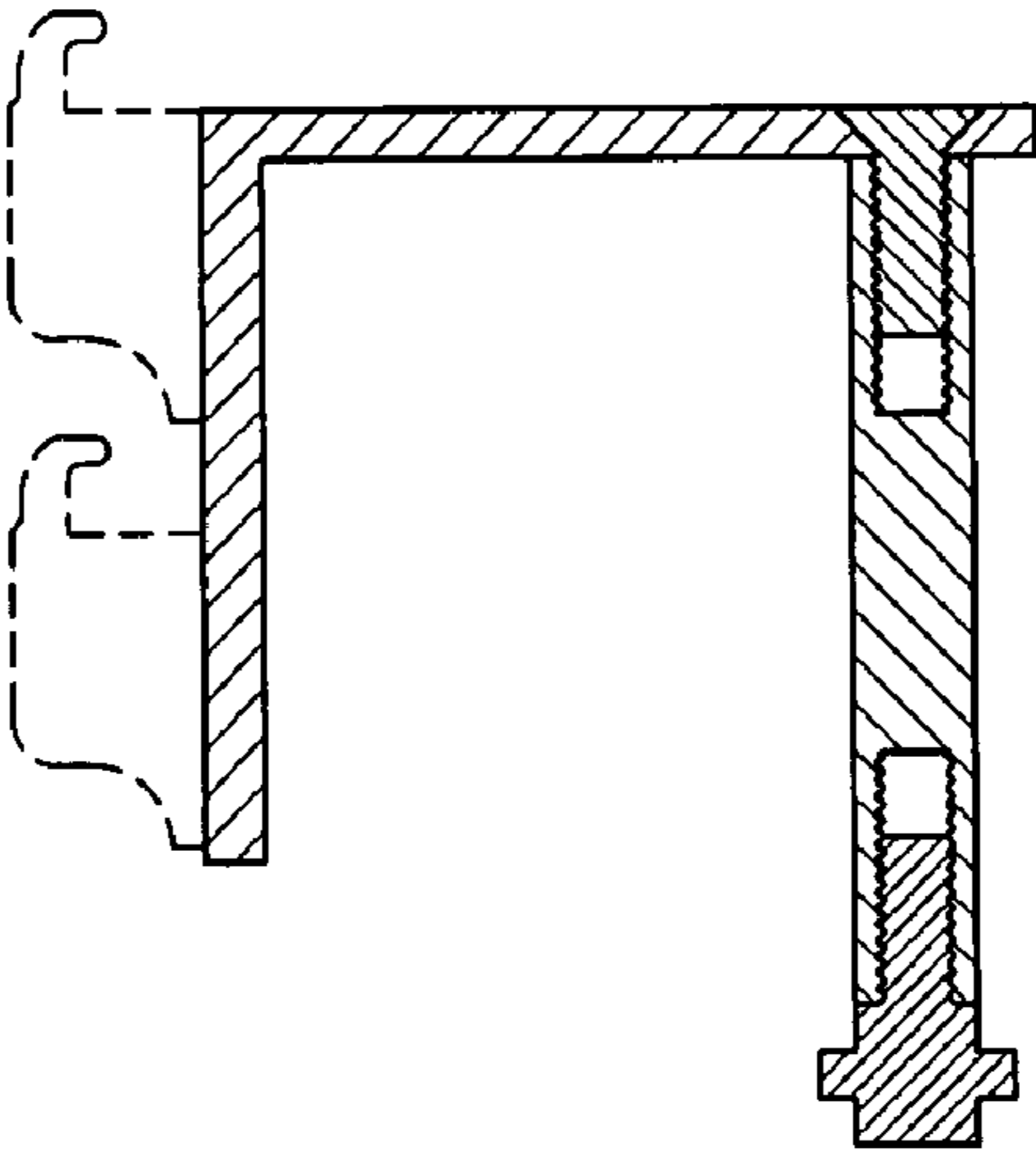
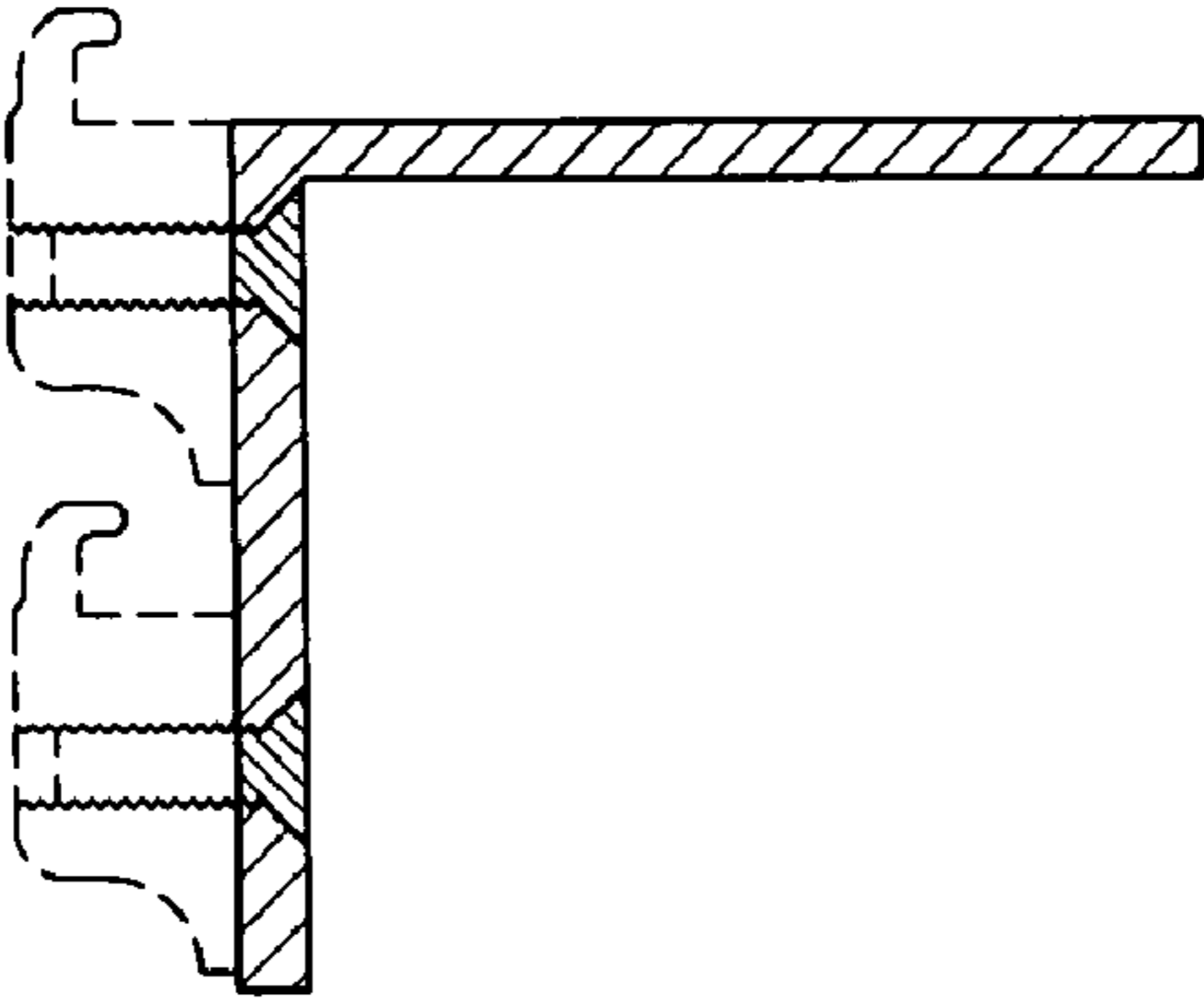


FIG. 7



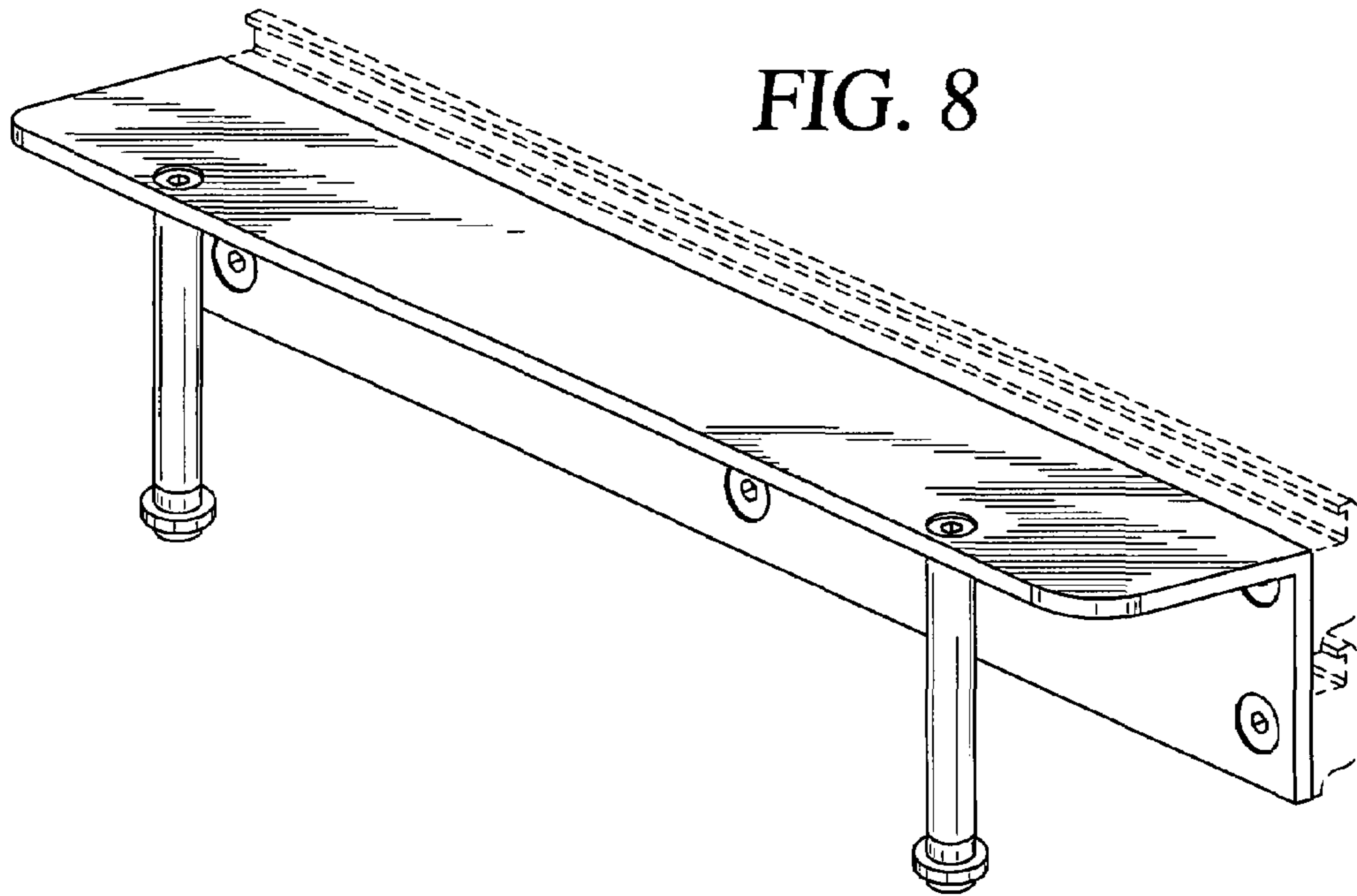


FIG. 8

FIG. 9

