



US00D547990S

(12) **United States Design Patent**
Mullen

(10) **Patent No.:** **US D547,990 S**

(45) **Date of Patent:** **** Aug. 7, 2007**

(54) **WALL DESK**

(75) Inventor: **Michael Mullen**, West Linn, OR (US)

(73) Assignee: **Anthro Corporation**, Tualatin, OR (US)

(**) Term: **14 Years**

(21) Appl. No.: **29/251,321**

(22) Filed: **Jan. 6, 2006**

(51) **LOC (8) Cl.** **06-04**

(52) **U.S. Cl.** **D6/555**

(58) **Field of Classification Search** D6/555,
D6/553, 567, 569; 312/114, 126, 128-129,
312/204, 231, 234, 242, 245; 211/13.1, 14,
211/88.01, 134, 126.1

See application file for complete search history.

(56) **References Cited**

U.S. PATENT DOCUMENTS

D302,772 S *	8/1989	Friedman	D6/555
D326,384 S *	5/1992	Burt et al.	D6/555
5,460,101 A	10/1995	Garbutt		
5,707,126 A	1/1998	Neufeld		
D395,185 S *	6/1998	Neufeld et al.	D6/555
D412,634 S *	8/1999	Helmsderfer et al.	D6/555
D422,441 S *	4/2000	Perelli	D6/555
D459,131 S *	6/2002	Zazenski	D6/555

OTHER PUBLICATIONS

Carstens, Carstens Catalog Jan. 2006, 2006, WALLaroos and PC Access Stations, pages cover page, pp. 1, 108-119.

Carstens, Carstens Catalog Jan. 2003, Jul. 2003, WALLaroos and PC Access Stations, pp. 1, 95, 97.

WALLAROO 2000 PC, <http://walldesks.com/home2k3linksBss.html>, 5 pages, visited Jun. 9, 2005.

Allegro Medical, Infinite Desk, http://www.allegromedical.com/daily_living_aids/around_the_office/alimed/infinite_desk.

P198048, 1 page, visited Jun. 9, 2005.

Peter Pepper Products, Inc., Express Desk, <http://www.peterpepper.com/cgi-bin/productinfo01.taf?pk+walldesks>, 1 page, visited Jun. 9, 2005.

Miami Medical, Wall Desk, <http://www.miamimedical-med.com/walldesk.htm>, 2 pages, visited Jun. 9, 2005.

* cited by examiner

Primary Examiner—Brian N Vinson

(74) *Attorney, Agent, or Firm*—Stoel Rives LLP

(57) **CLAIM**

I claim the ornamental design for a wall desk, as shown and described.

DESCRIPTION

FIG. 1 is an isometric view of a wall desk, showing an environmental mounting surface in broken lines;

FIG. 2 is a top plan view of the wall desk of FIG. 1;

FIG. 3 is a front elevation of the wall desk of FIG. 1;

FIG. 4 is a right side elevation of the wall desk of FIG. 1, of which a left side elevation is a mirror image;

FIG. 5 is a bottom plan view of the wall desk of FIG. 1;

FIG. 6 is a rear elevation of the wall desk of FIG. 1;

FIG. 7 is an auxiliary isometric view the wall desk of FIG. 1, showing a work surface of the wall desk in an open position;

FIG. 8 is a top plan view of the wall desk of FIG. 7;

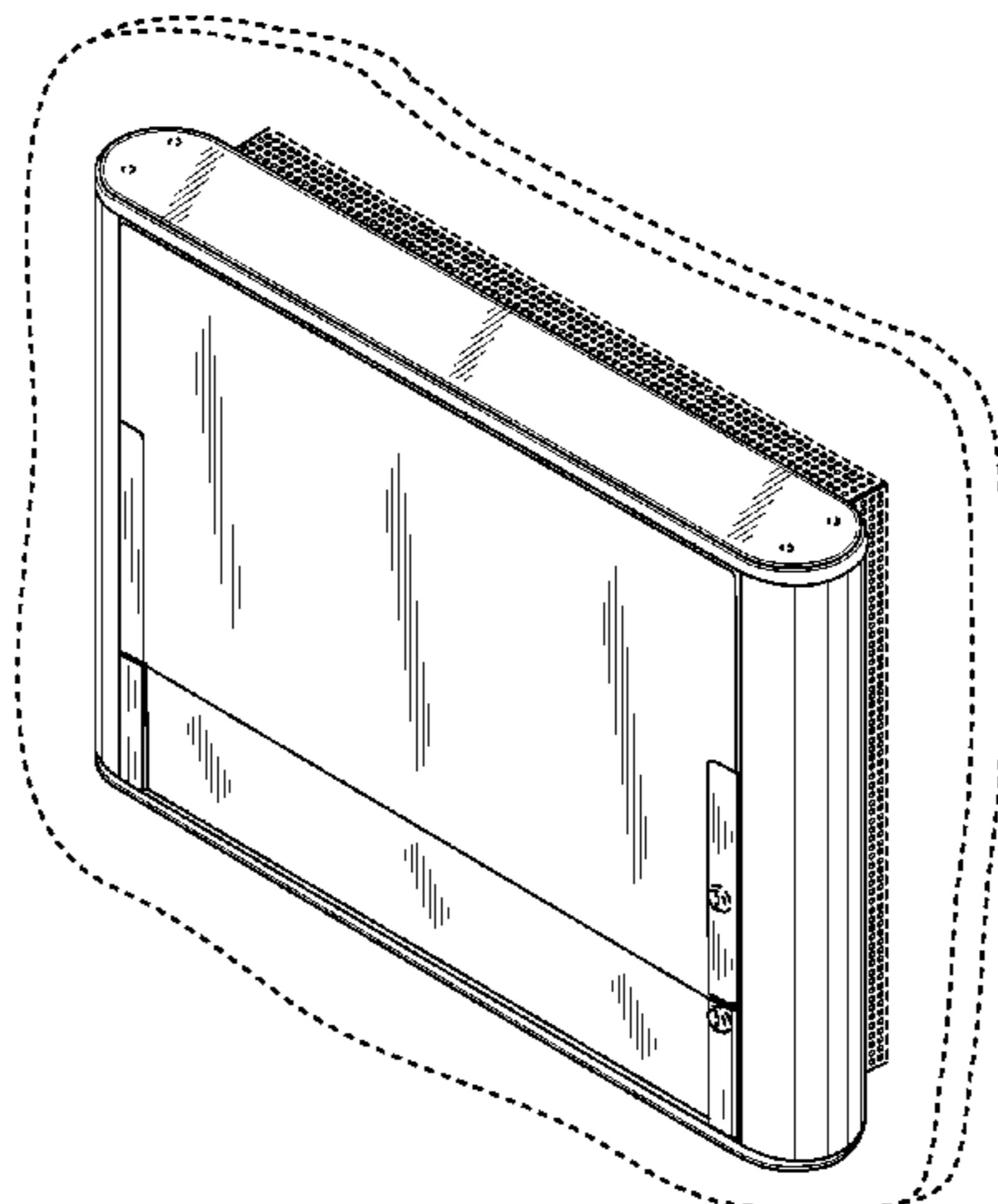
FIG. 9 is an auxiliary right side elevation of the wall desk of FIG. 7, of which a left side elevation is a mirror image;

FIG. 10 is a front elevation of the wall desk of FIG. 7; and,

FIG. 11 is a bottom plan view of the wall desk of FIG. 7.

The broken lines at the rear edge of the wall desk represent the bounds of the claimed design while the remaining broken lines in FIGS. 1-3, 5, and 7-11 are directed to environment and are for illustrative purposes only. The broken lines form no part of the claimed design.

1 Claim, 4 Drawing Sheets



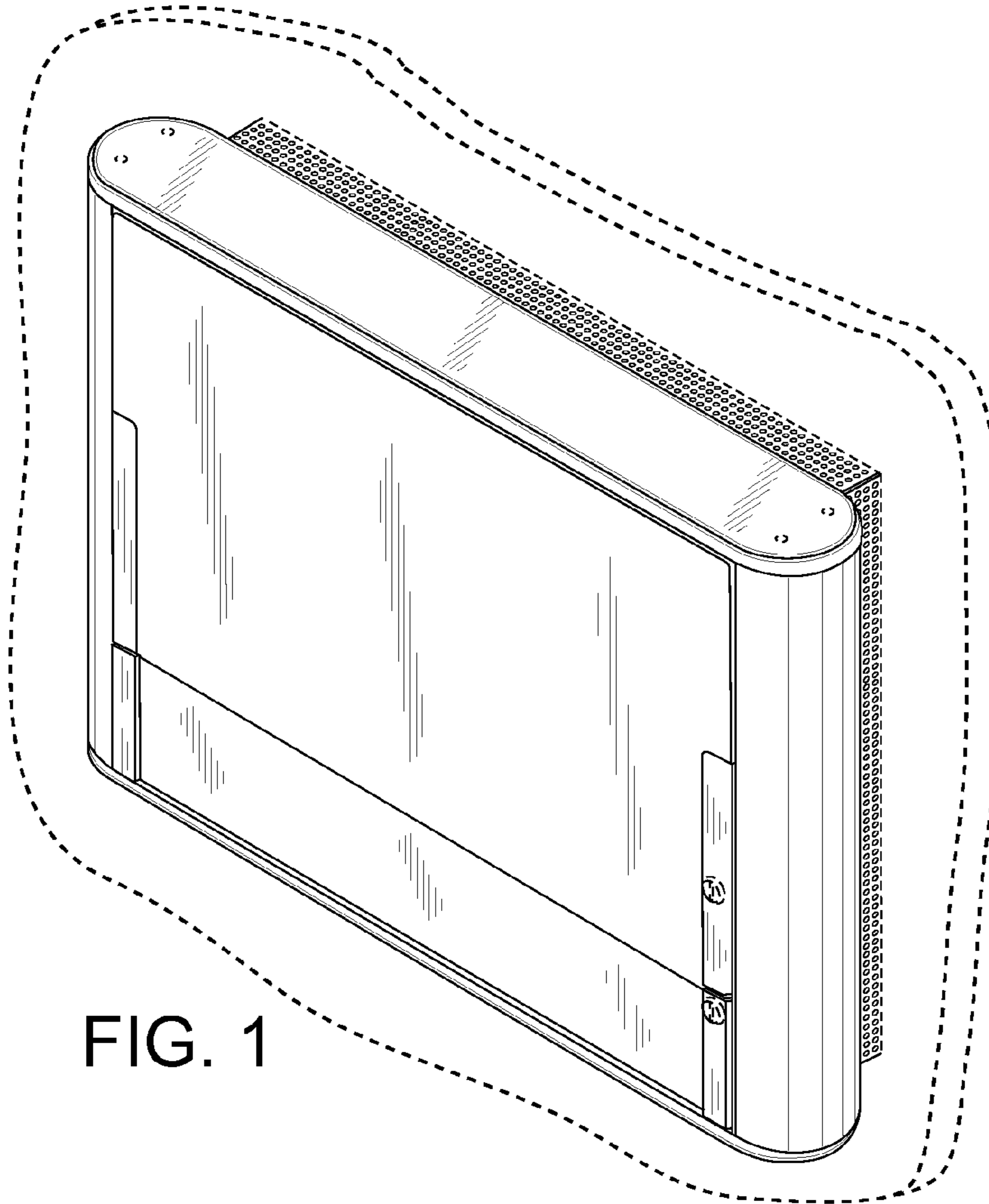


FIG. 1

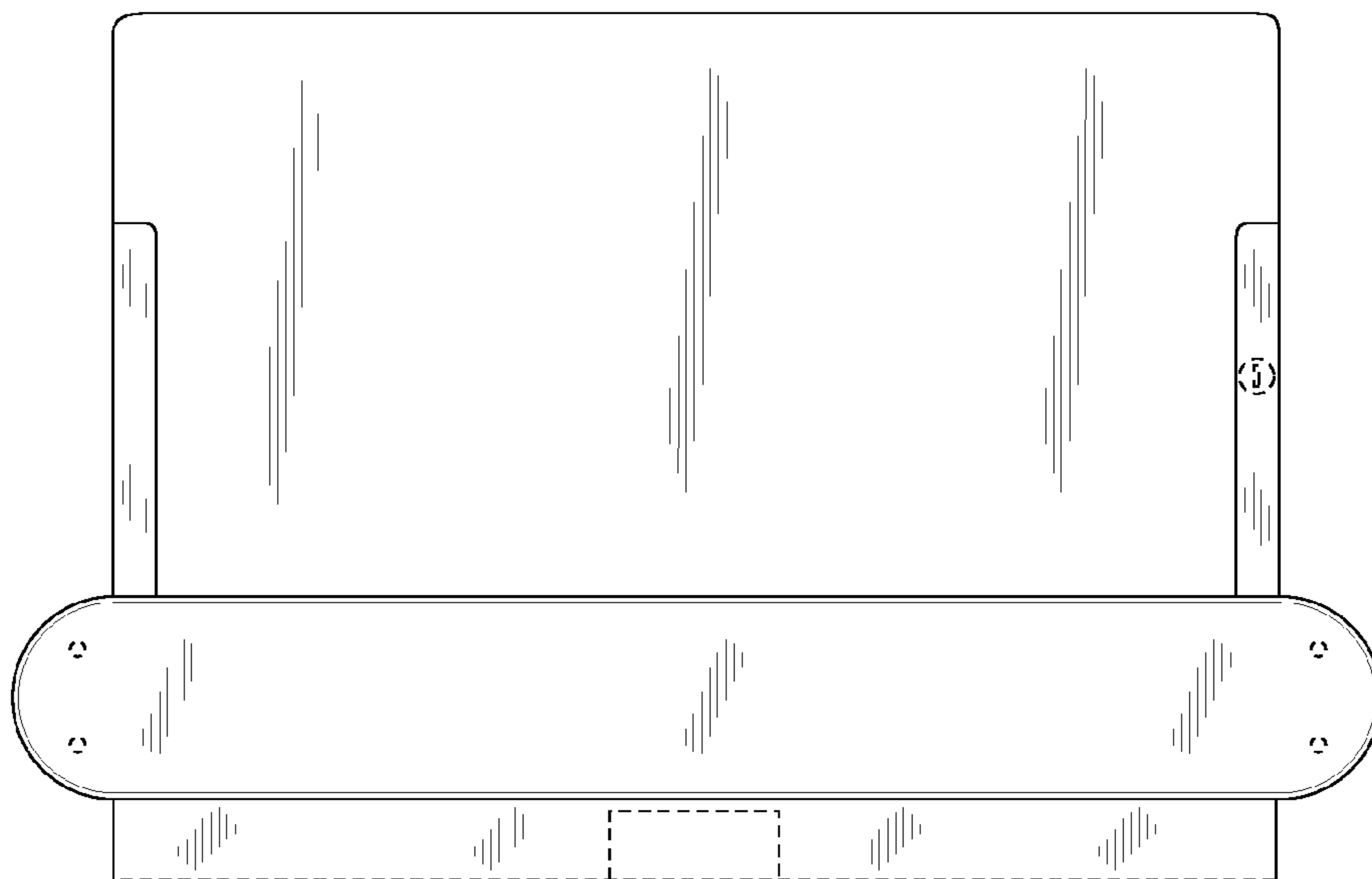


FIG. 11

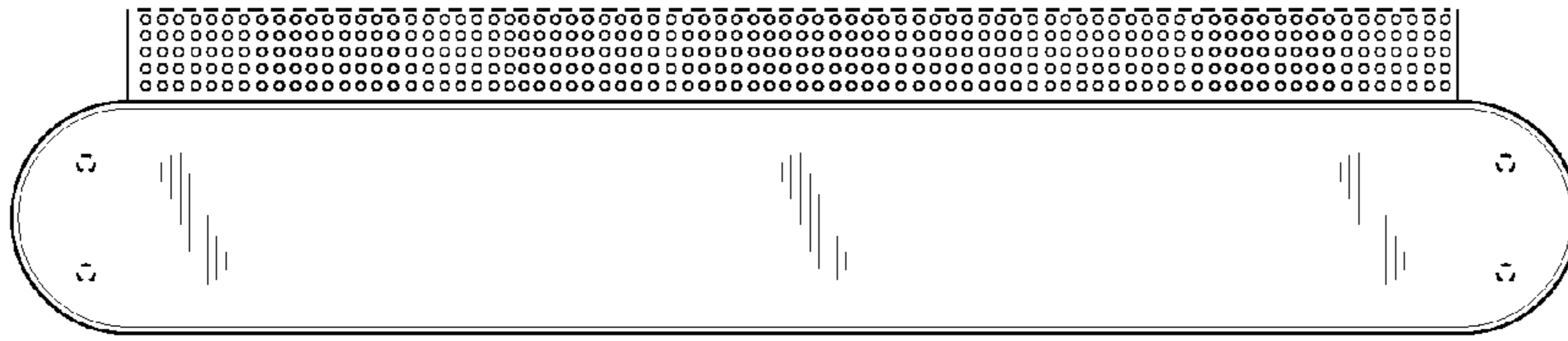


FIG. 2

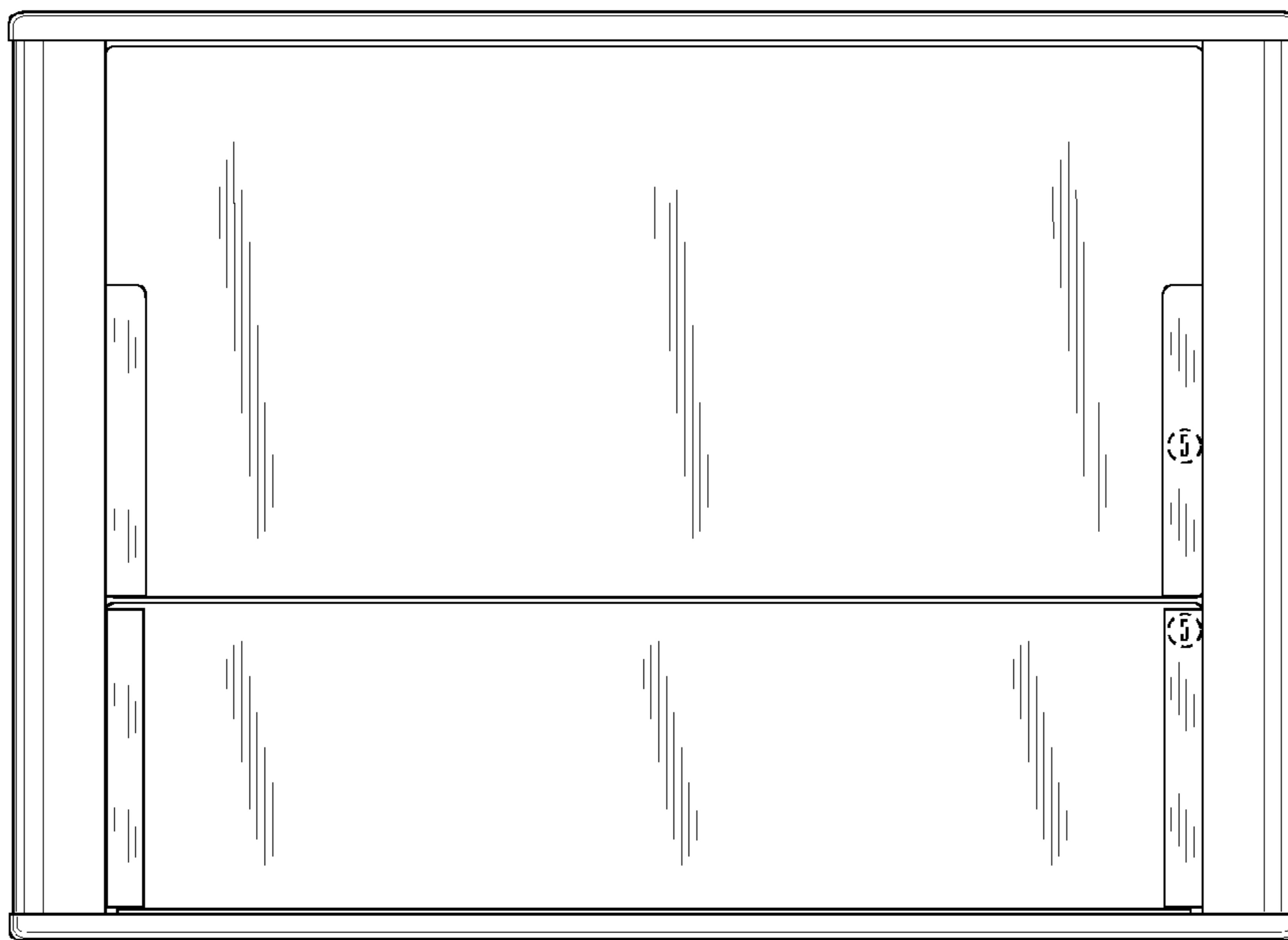


FIG. 3

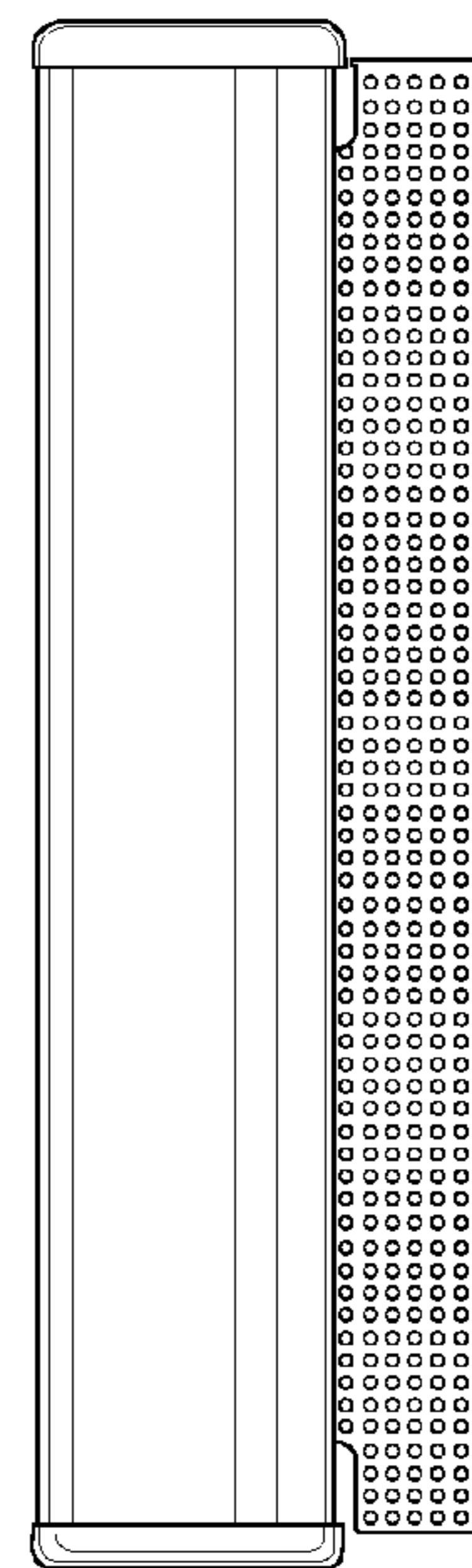


FIG. 4

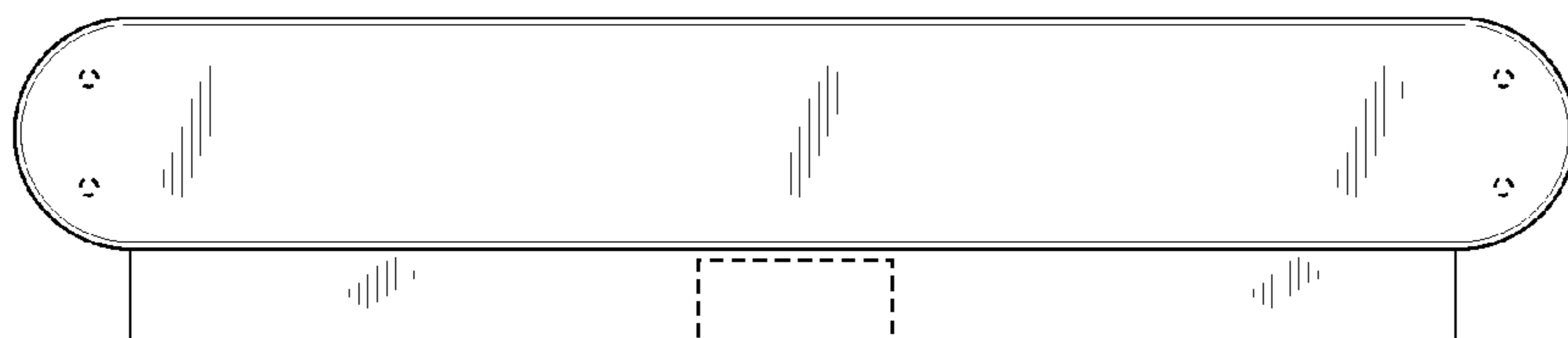


FIG. 5

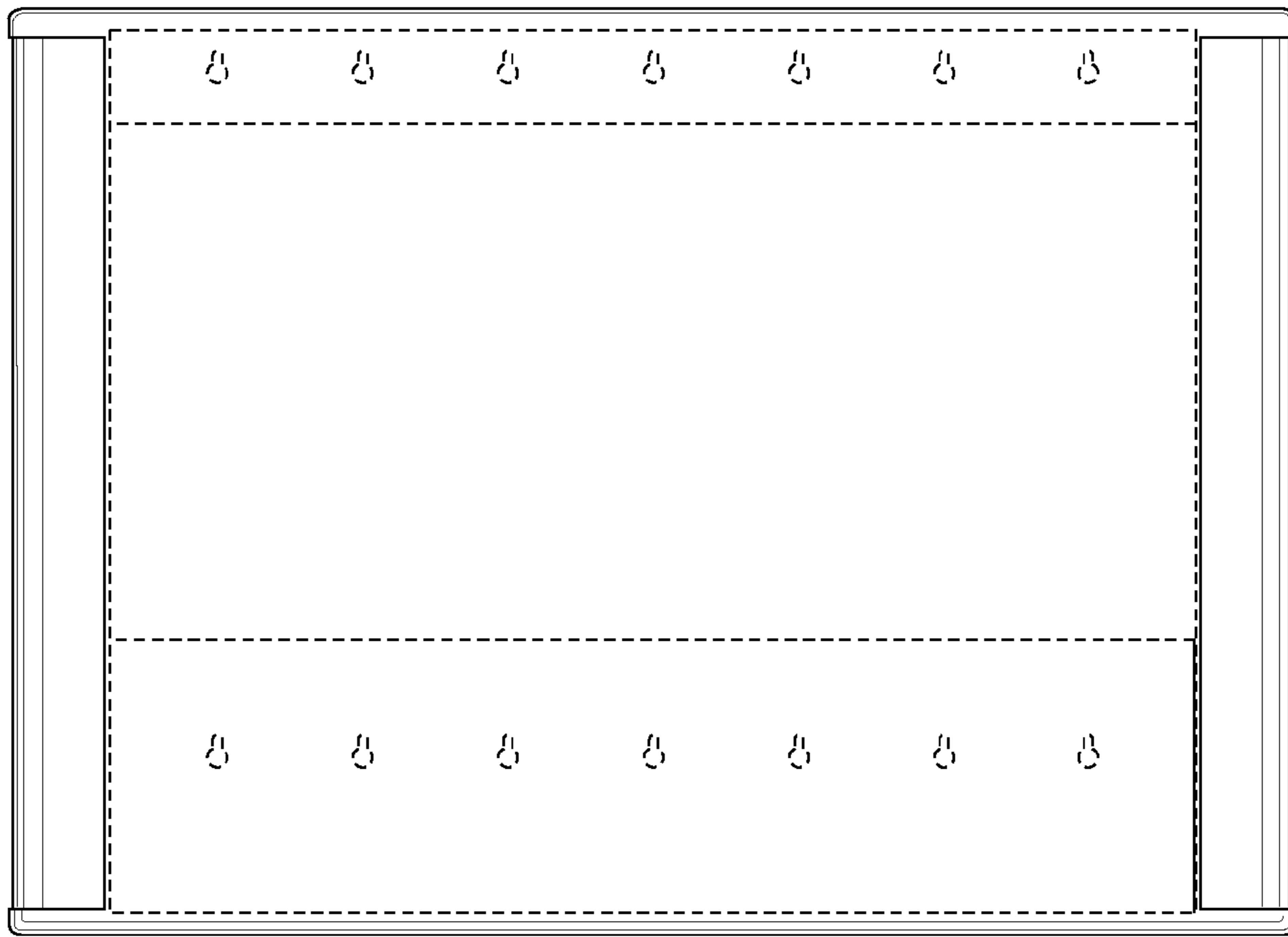


FIG. 6

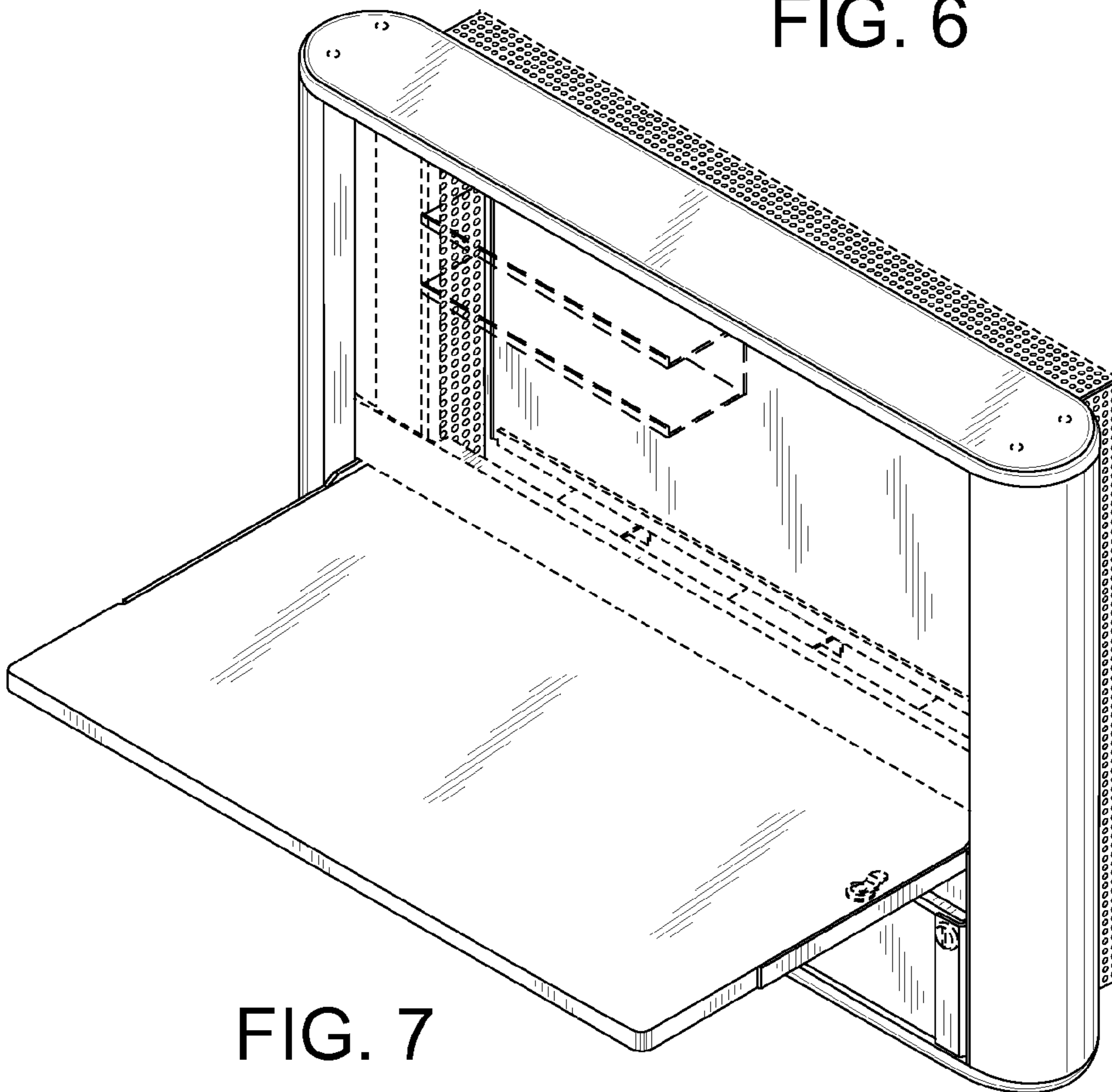


FIG. 7

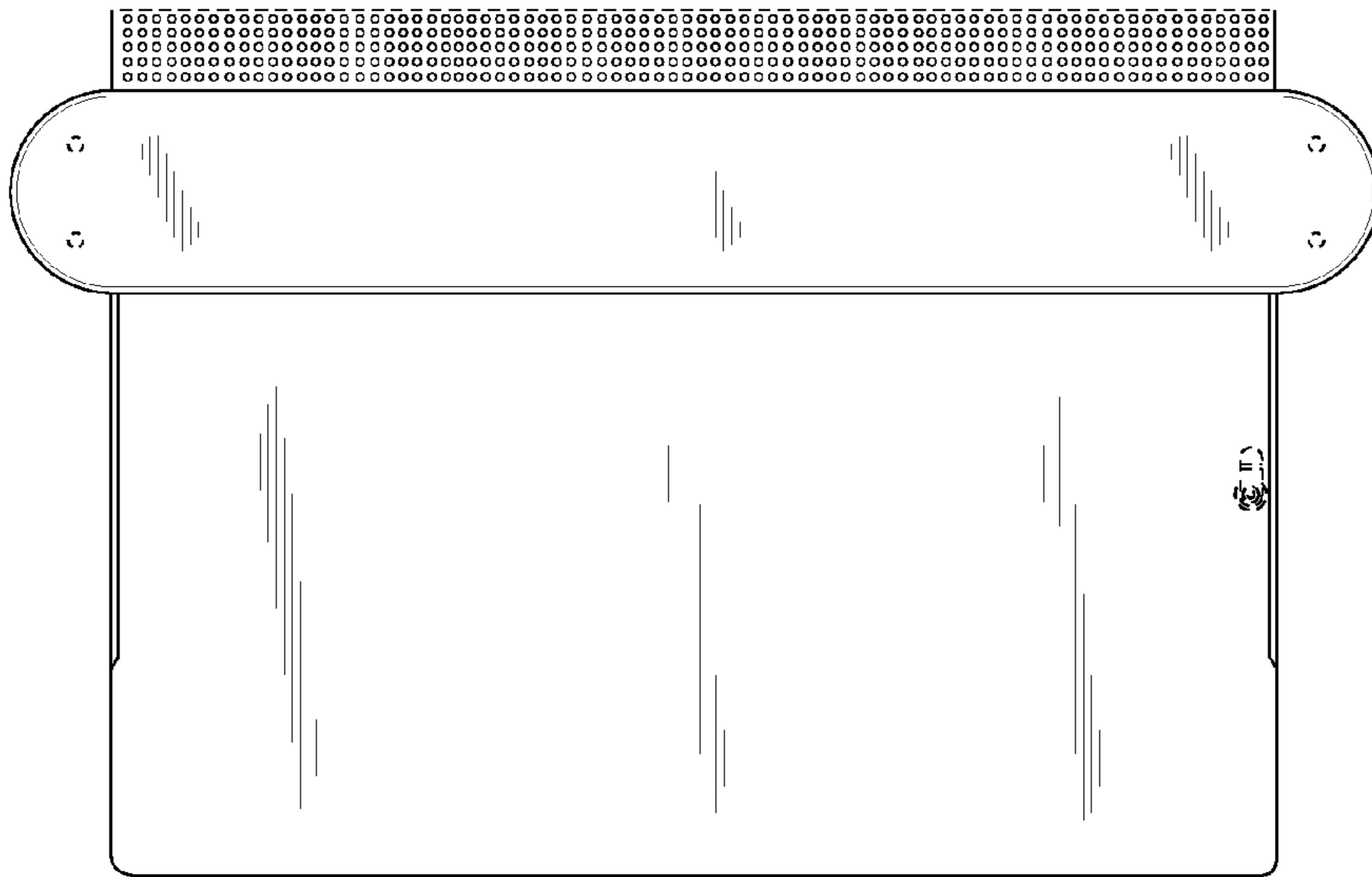


FIG. 8

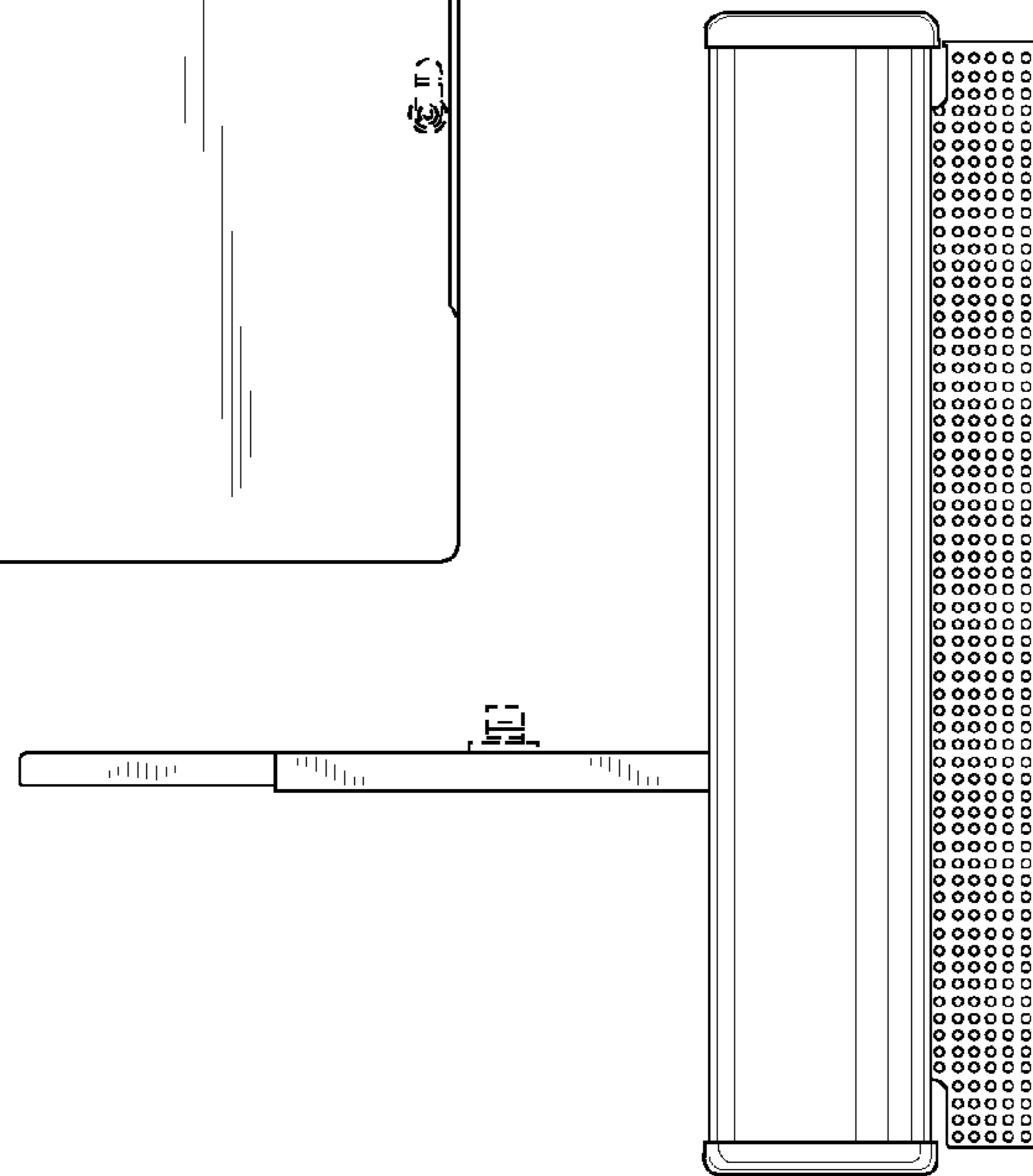


FIG. 9

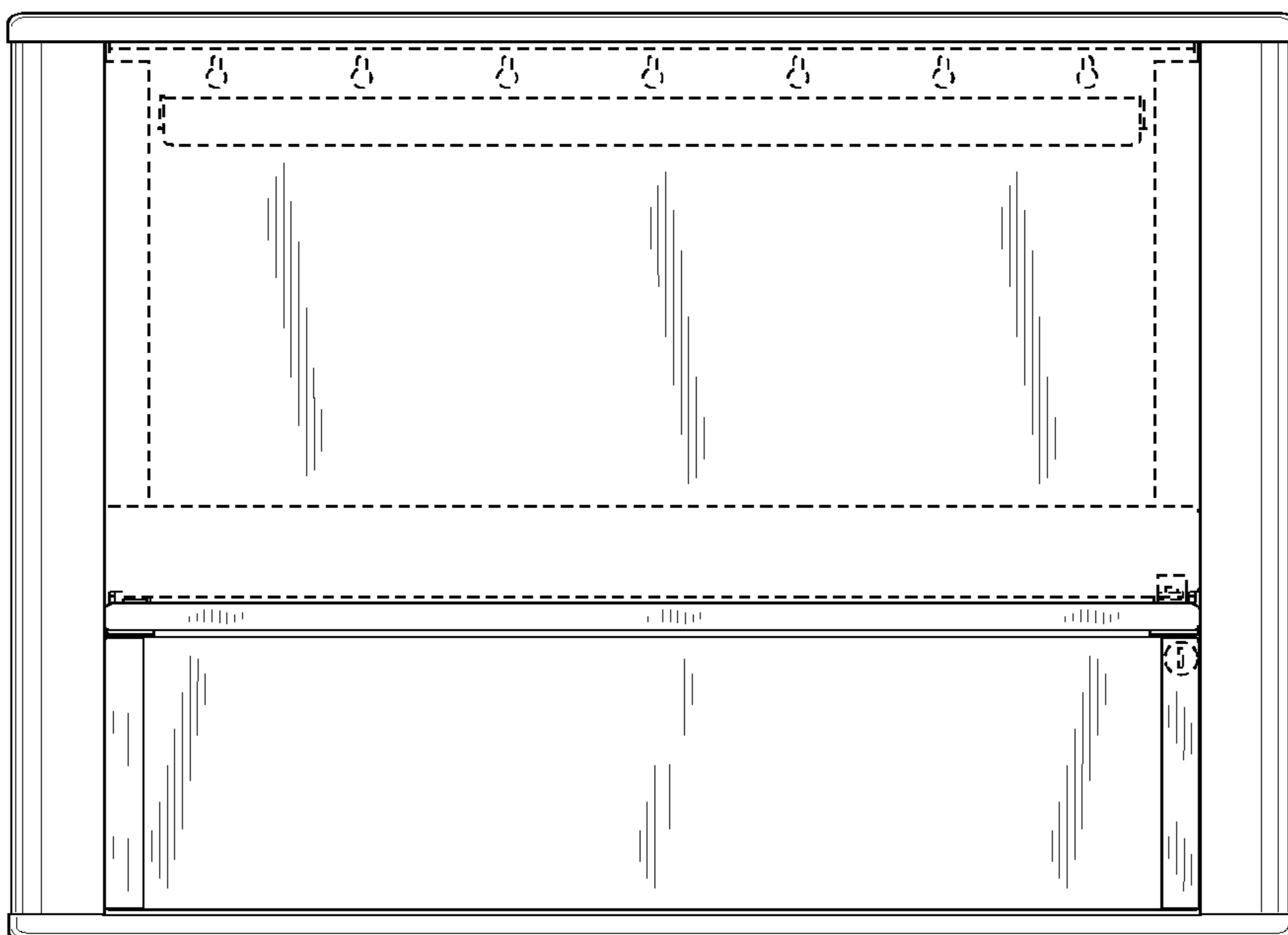


FIG. 10