

US00D547988S

(12) **United States Design Patent**
Baker et al.

(10) **Patent No.:** **US D547,988 S**

(45) **Date of Patent:** **** Aug. 7, 2007**

(54) **DISPENSER**

D529,739 S * 10/2006 Bertucci et al. D6/545
D530,124 S * 10/2006 Ophardt et al. D6/545

(75) Inventors: **Troy Baker**, St. Asaph (GB); **Kelly Dawson**, St. Asaph (GB); **Wyn Jones**, St. Asaph (GB)

* cited by examiner

Primary Examiner—Brian N Vinson

(74) *Attorney, Agent, or Firm*—John M. Kilcoyne

(73) Assignee: **Bristol-Myers Squibb Company**, New York, NY (US)

(57) **CLAIM**

(**) Term: **14 Years**

We claim the ornamental design for the dispenser, as shown and described.

(21) Appl. No.: **29/254,655**

(22) Filed: **Feb. 27, 2006**

DESCRIPTION

(51) **LOC (8) Cl.** **23-02**

FIG. 1.1 is a front perspective view of the dispenser, showing our new design;

(52) **U.S. Cl.** **D6/545**

FIG. 2.1 is a right side view of the dispenser showing our new design;

(58) **Field of Classification Search** D6/542–545;
221/208, 282, 283; 222/105, 173, 180, 181.1,
222/181.2, 181.3

FIG. 3.1 is a left side view of the dispenser showing our new design;

See application file for complete search history.

FIG. 4.1 is a front view of the dispenser showing our new design;

(56) **References Cited**

FIG. 5.1 is a rear view of the dispenser showing our new design;

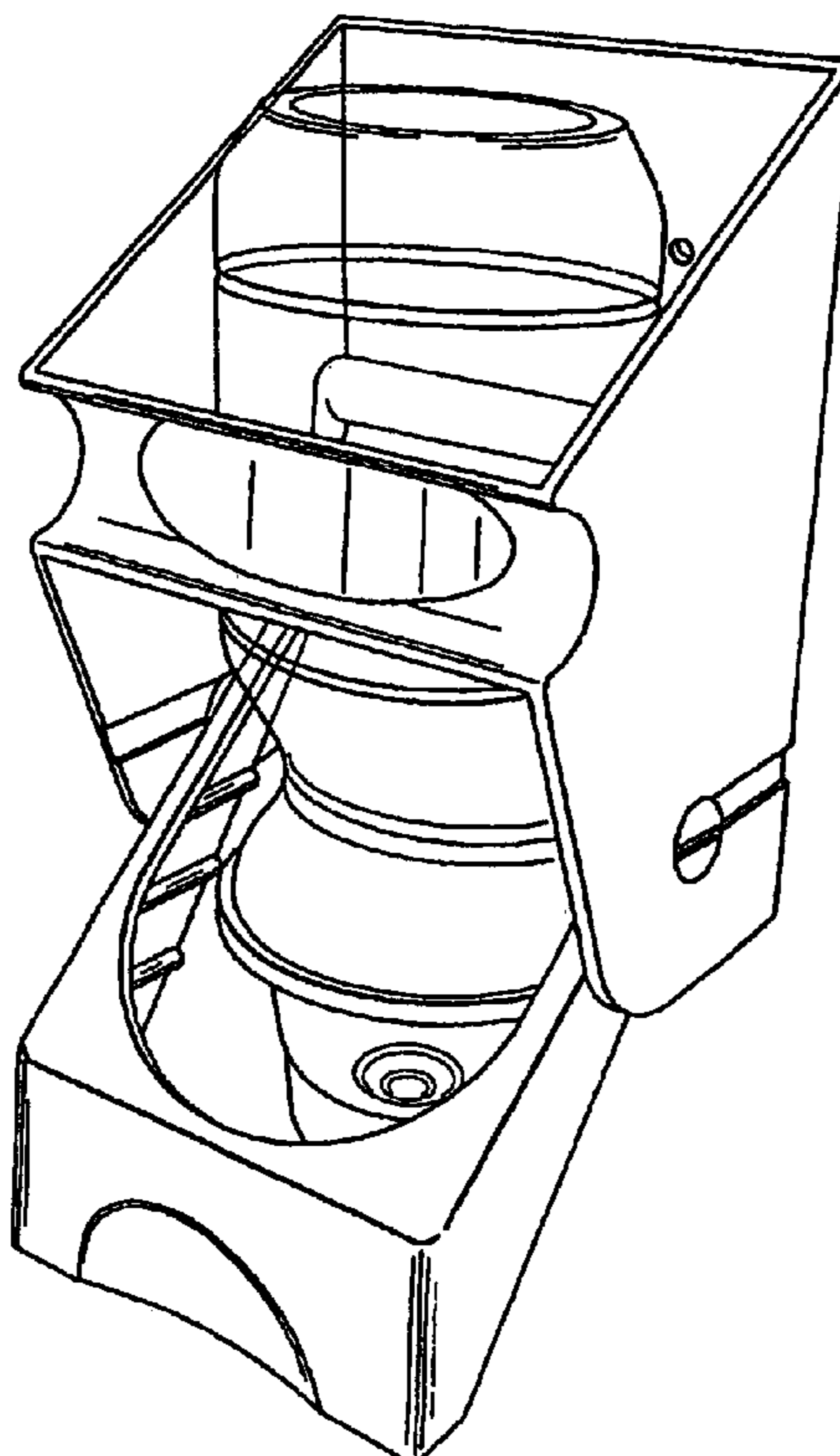
U.S. PATENT DOCUMENTS

- D245,891 S * 9/1977 Milbourne, Jr. D6/545
- 4,164,306 A * 8/1979 Perrin 222/181.2
- D298,097 S * 10/1988 Vogel et al. D6/545
- D444,978 S * 7/2001 Kauzlarich et al. D6/545
- D449,753 S * 10/2001 DeKoning et al. D6/545
- D452,009 S * 12/2001 Huffman D6/545
- D467,108 S * 12/2002 Ahlstrom et al. D6/545

FIG. 6.1 is a top view of the dispenser showing our new design; and,

FIG. 7.1 is a bottom view of the dispenser showing our new design.

1 Claim, 4 Drawing Sheets



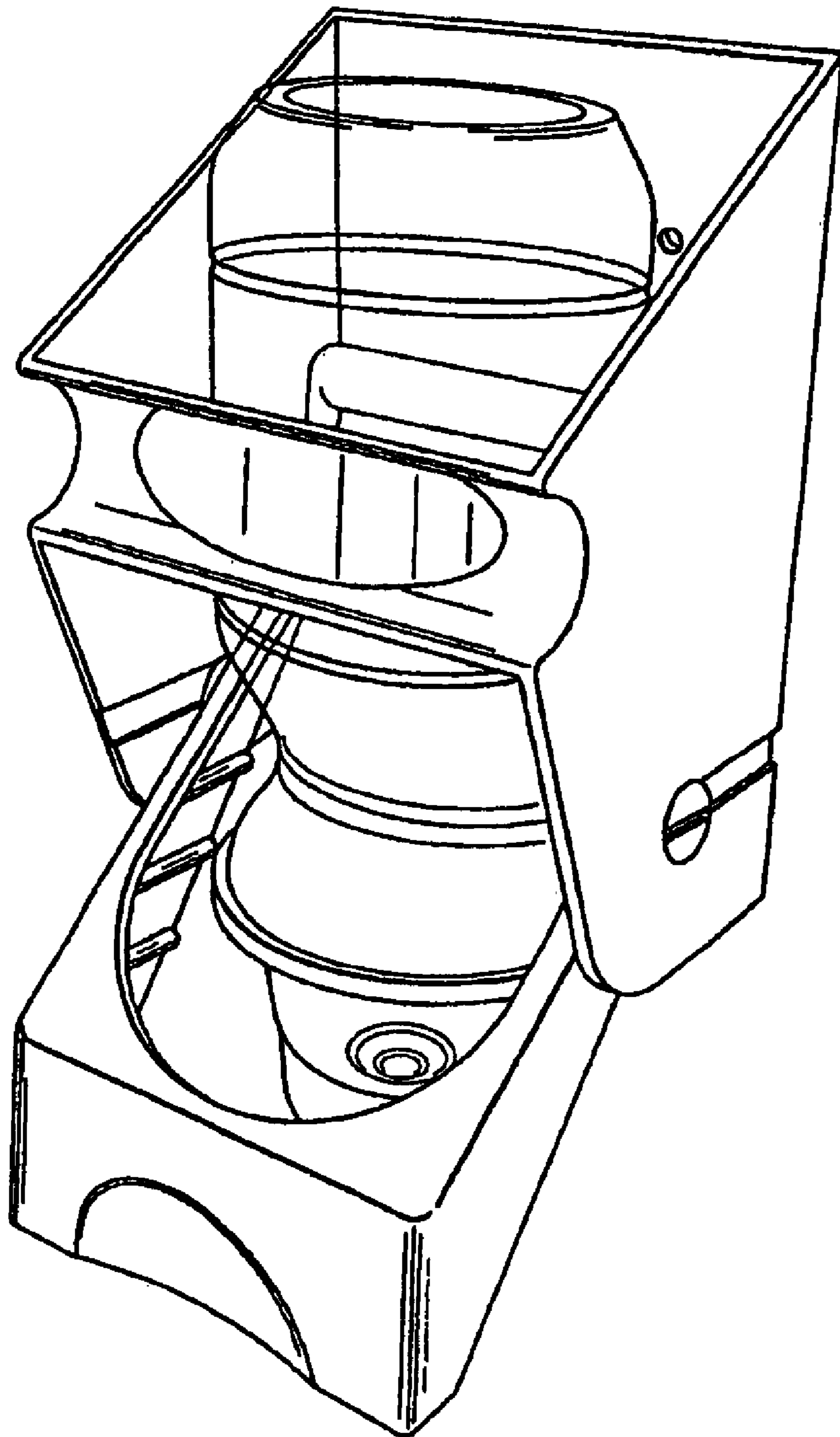


FIG. 1.1

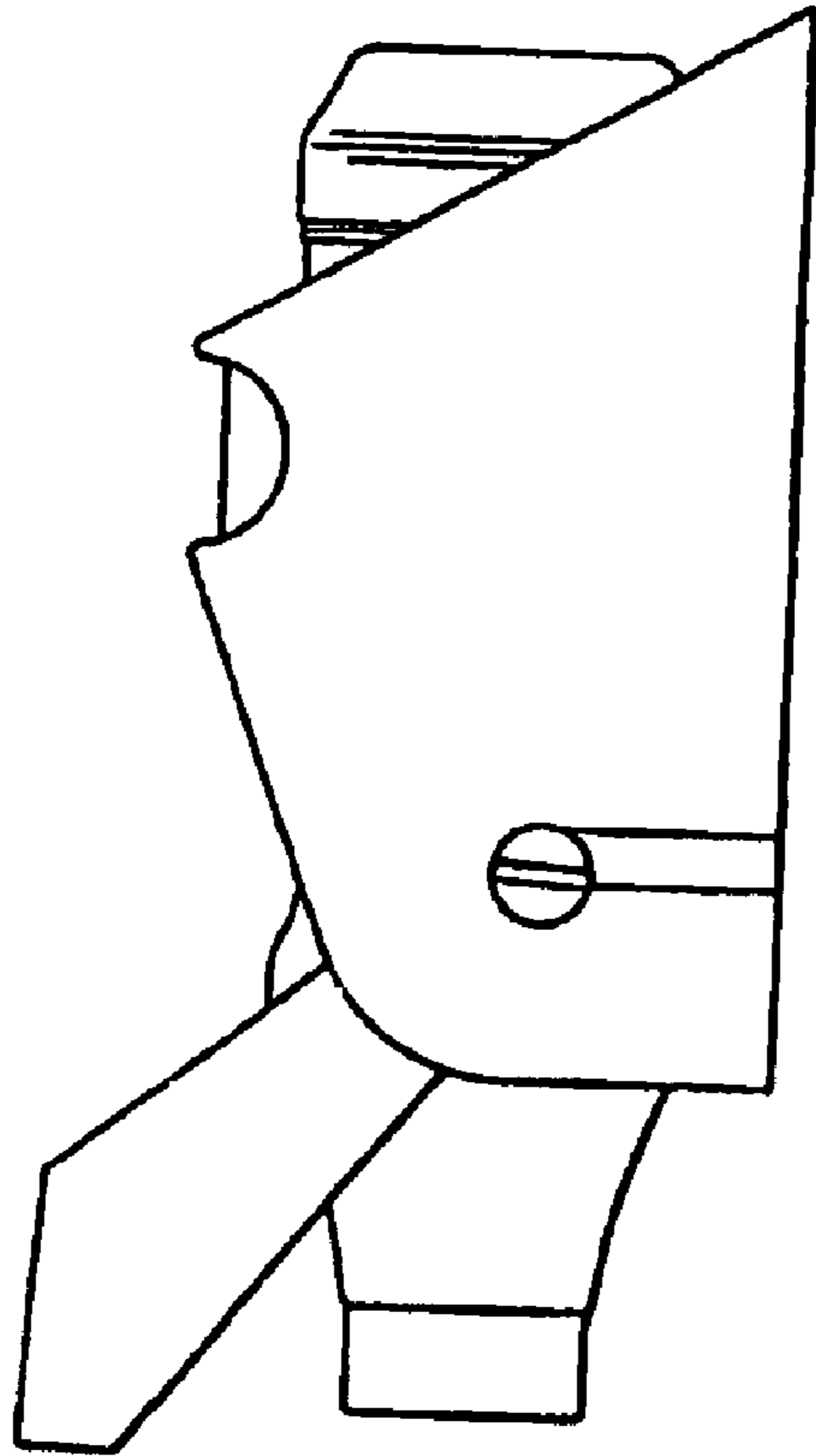


FIG. 2.1

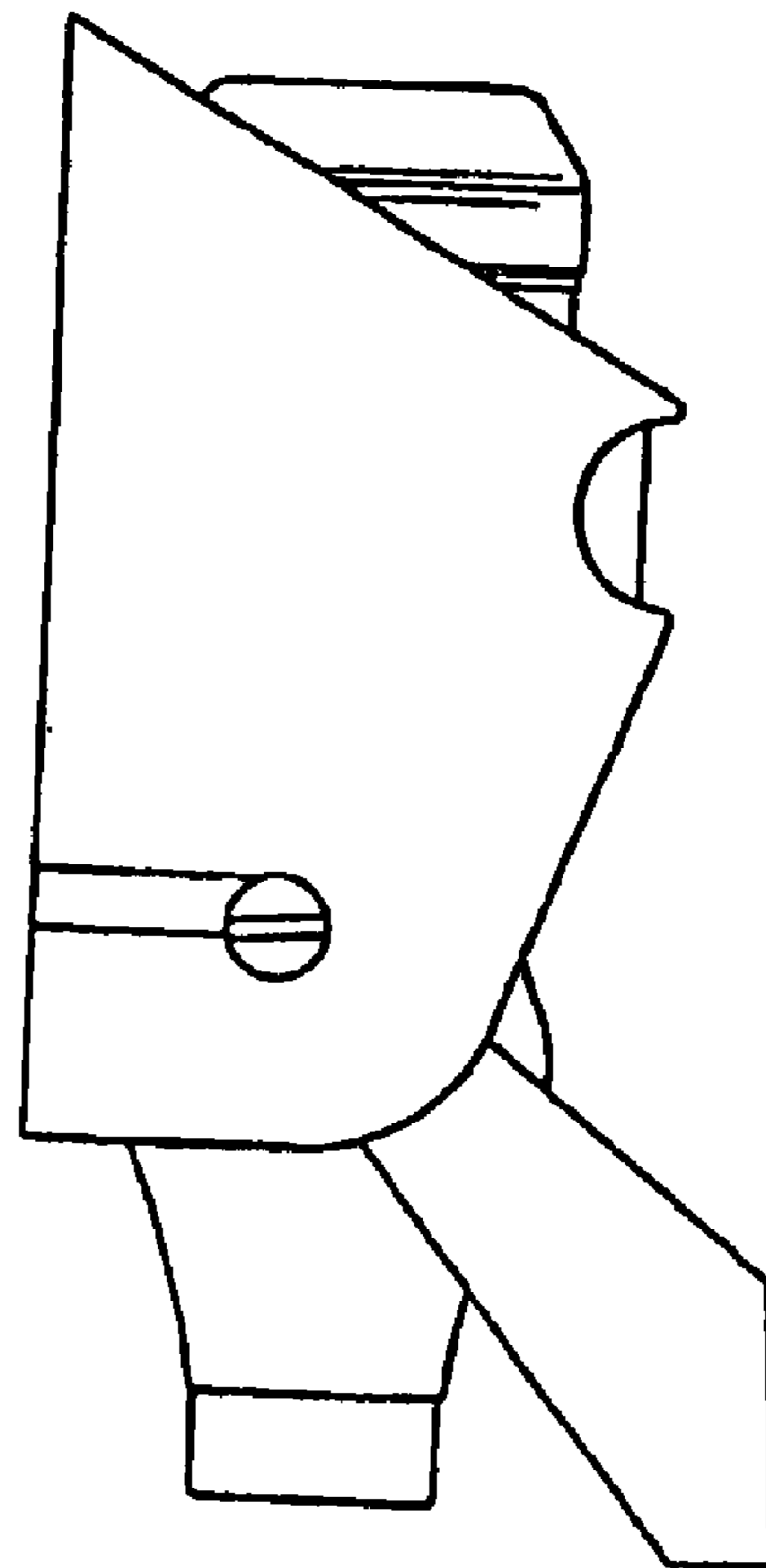


FIG. 3.1

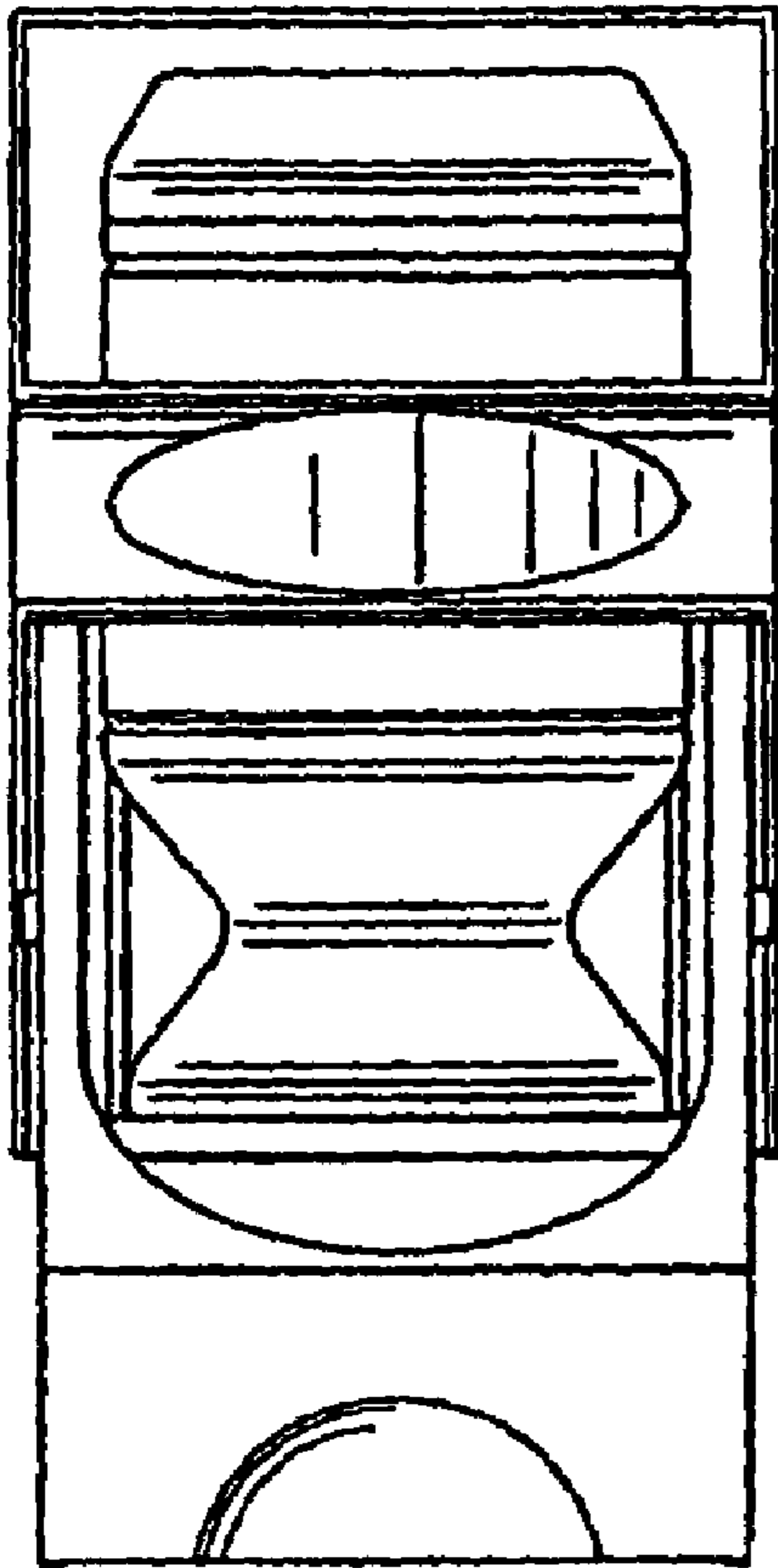


FIG. 4.1

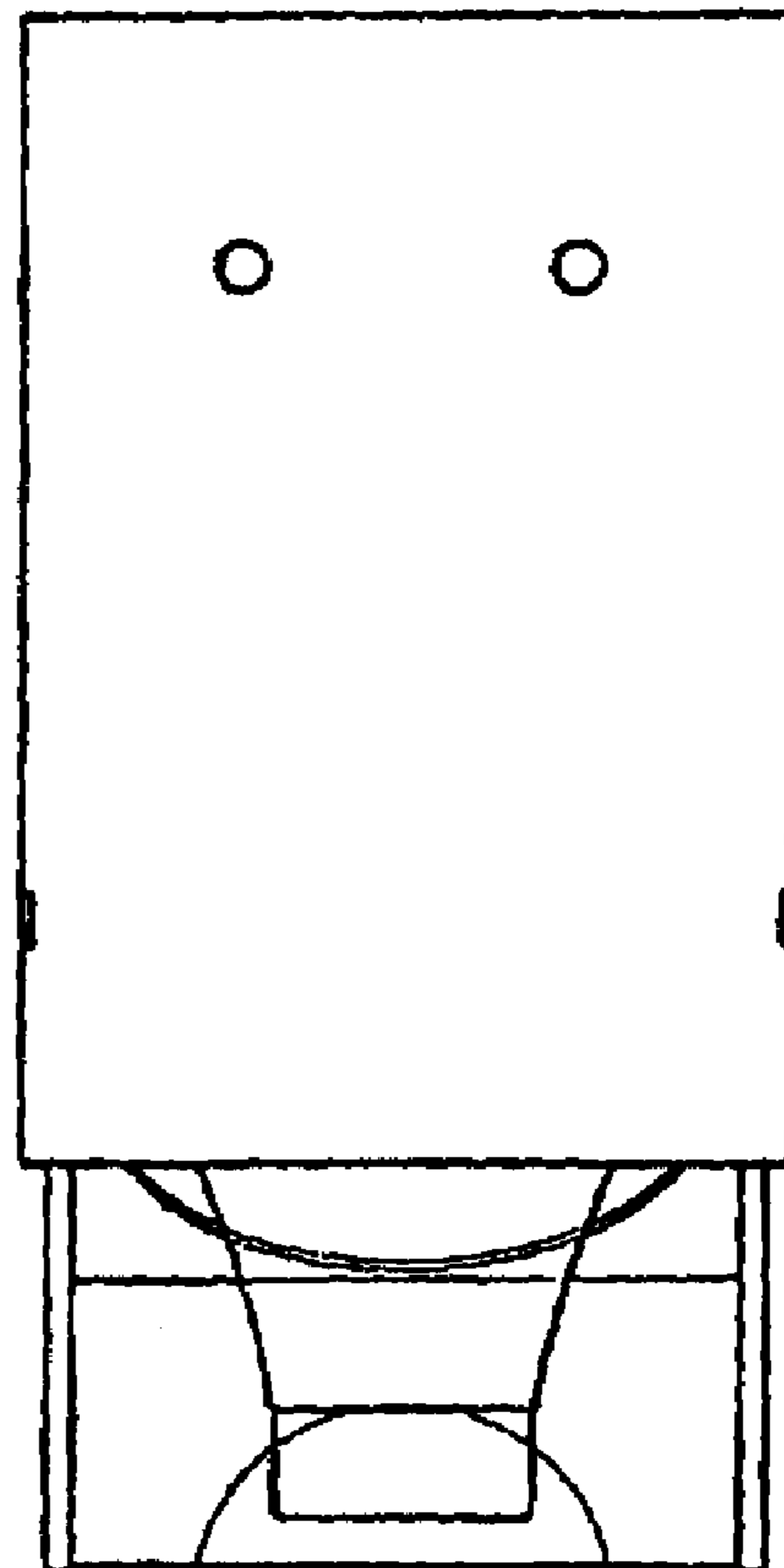


FIG. 5.1

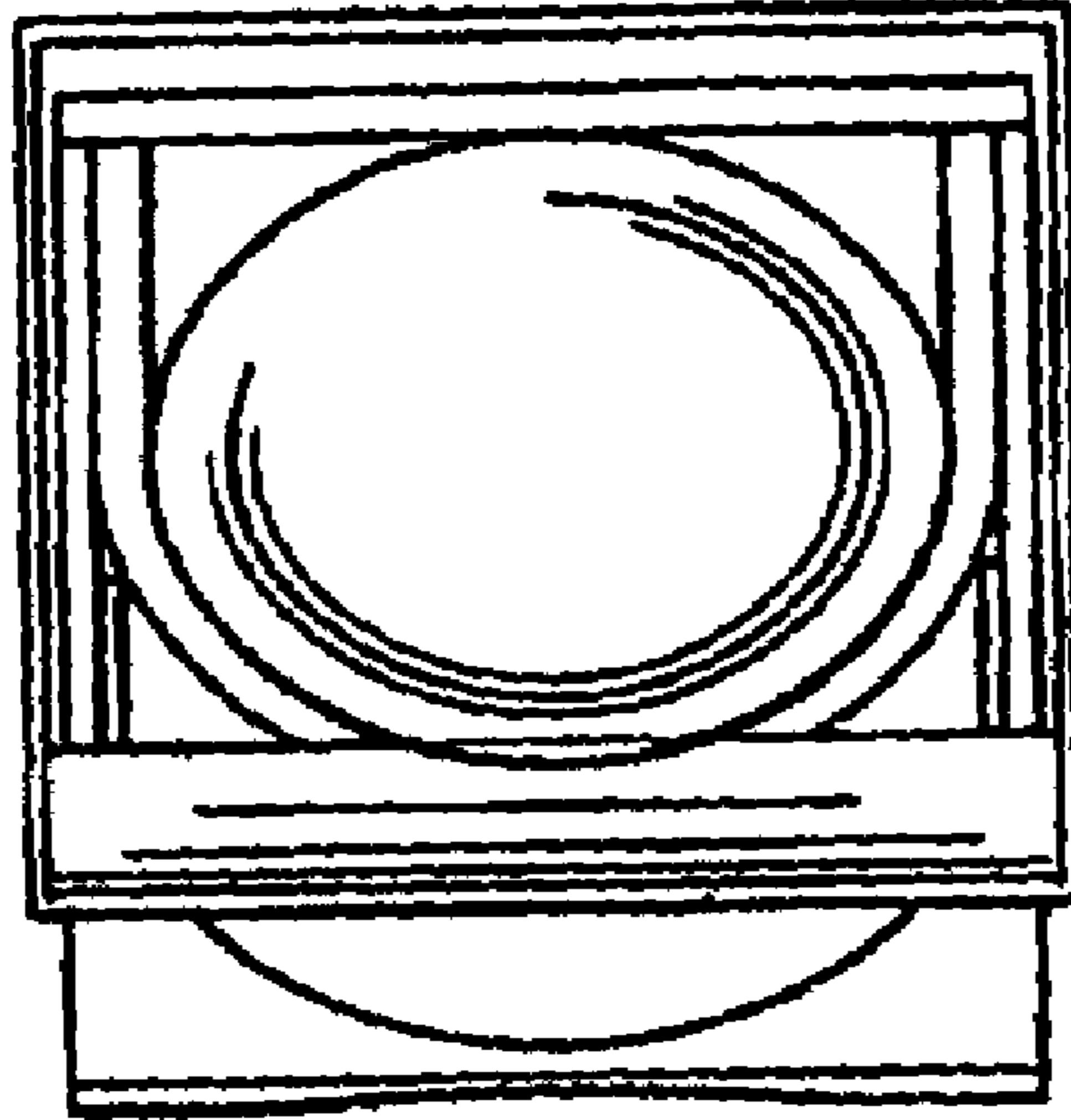


FIG. 6.1

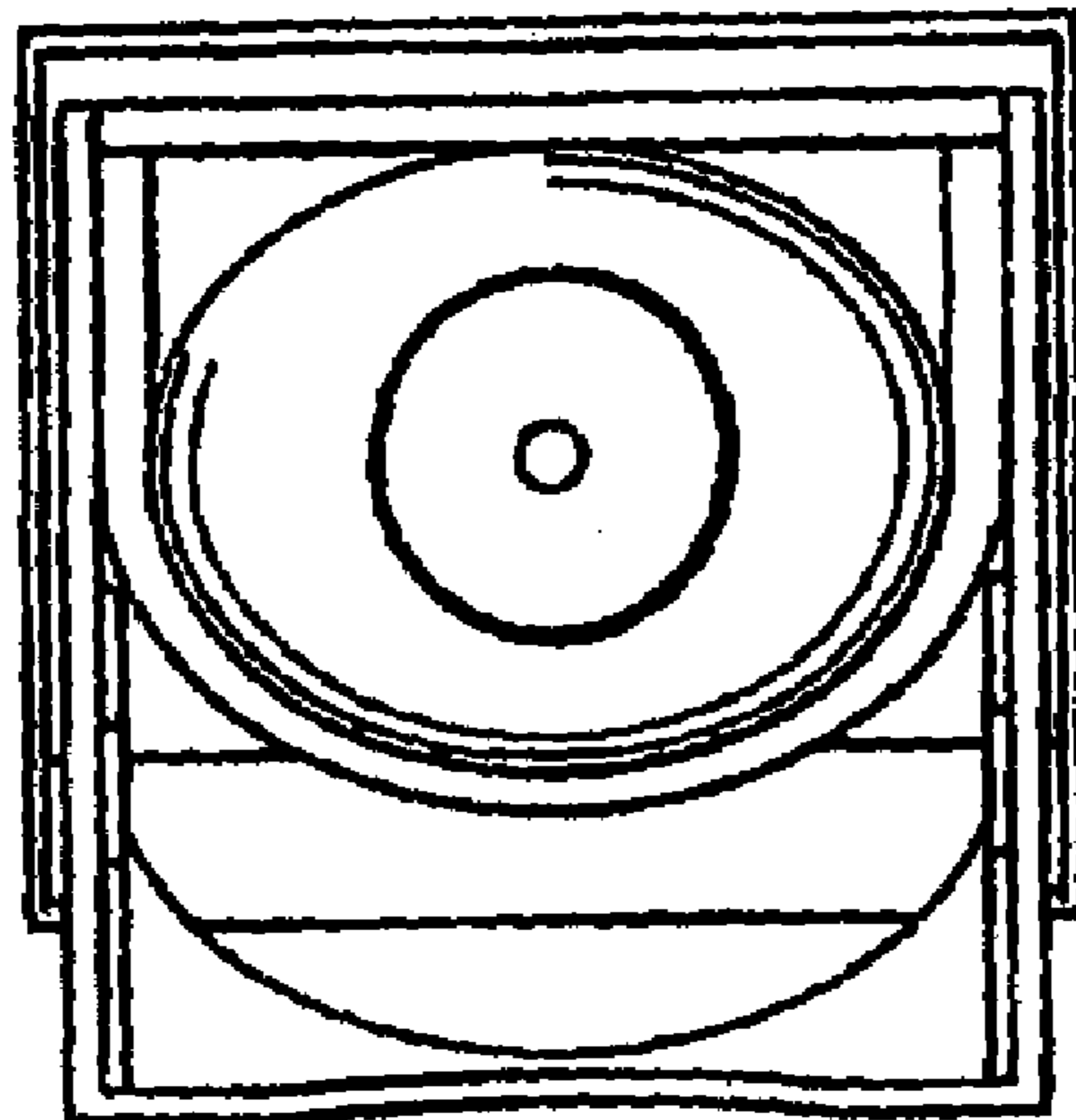


FIG. 7.1