



US00D547985S

(12) **United States Design Patent**
Kubota

(10) **Patent No.:** **US D547,985 S**

(45) **Date of Patent:** **** Aug. 7, 2007**

(54) **TOWEL HANGER**

D526,520 S * 8/2006 Clucas D6/524

(75) Inventor: **Harunobu Kubota**, Tokyo (JP)

* cited by examiner

(73) Assignee: **Sugatsune Kogyo Co., Ltd.**,
Chiyoda-ku, Tokyo (JP)

Primary Examiner—Brian N Vinson
(74) *Attorney, Agent, or Firm*—Bacon & Thomas, PLLC

(**) Term: **14 Years**

(57) **CLAIM**

(21) Appl. No.: **29/236,361**

The ornamental design for a towel hanger, as shown and described.

(22) Filed: **Aug. 16, 2005**

DESCRIPTION

(30) **Foreign Application Priority Data**

Feb. 23, 2005 (JP) 2005-004894

FIG. 1 is a front elevational view of a towel hanger showing my new design;

(51) **LOC (8) Cl.** **23-02**

FIG. 2 is an enlarged left side elevational view thereof;

(52) **U.S. Cl.** **D6/522**

FIG. 3 is a rear elevational view thereof;

(58) **Field of Classification Search** D6/546–550,
D6/518–519, 522–524; D8/300, 303, 315–321;
108/28–29; 211/13.1, 16, 60.1, 86.01, 87.01,
211/88.01, 88.04, 100, 105.1–105.2, 123,
211/181.1, 182; 248/175, 176.1, 251, 302;
16/110.1, 412, 415; 242/570, 590, 595–598
See application file for complete search history.

FIG. 4 is a top plan view thereof;

FIG. 5 is a bottom plan view thereof;

FIG. 6 is an enlarged vertical cross-sectional view thereof, taken along line A-A of FIG. 1;

FIG. 7 is a top, front, and right side perspective view thereof; and,

FIG. 8 is a reduced top, front, and right side perspective view thereof.

(56) **References Cited**

U.S. PATENT DOCUMENTS

D317,385 S * 6/1991 Wolff et al. D6/522
D486,334 S * 2/2004 Hoernig D6/523
D486,680 S * 2/2004 AlJizawi D6/522

The broken-line disclosure in the views is for illustrative purposes only and forms no part of the claimed design.

1 Claim, 4 Drawing Sheets

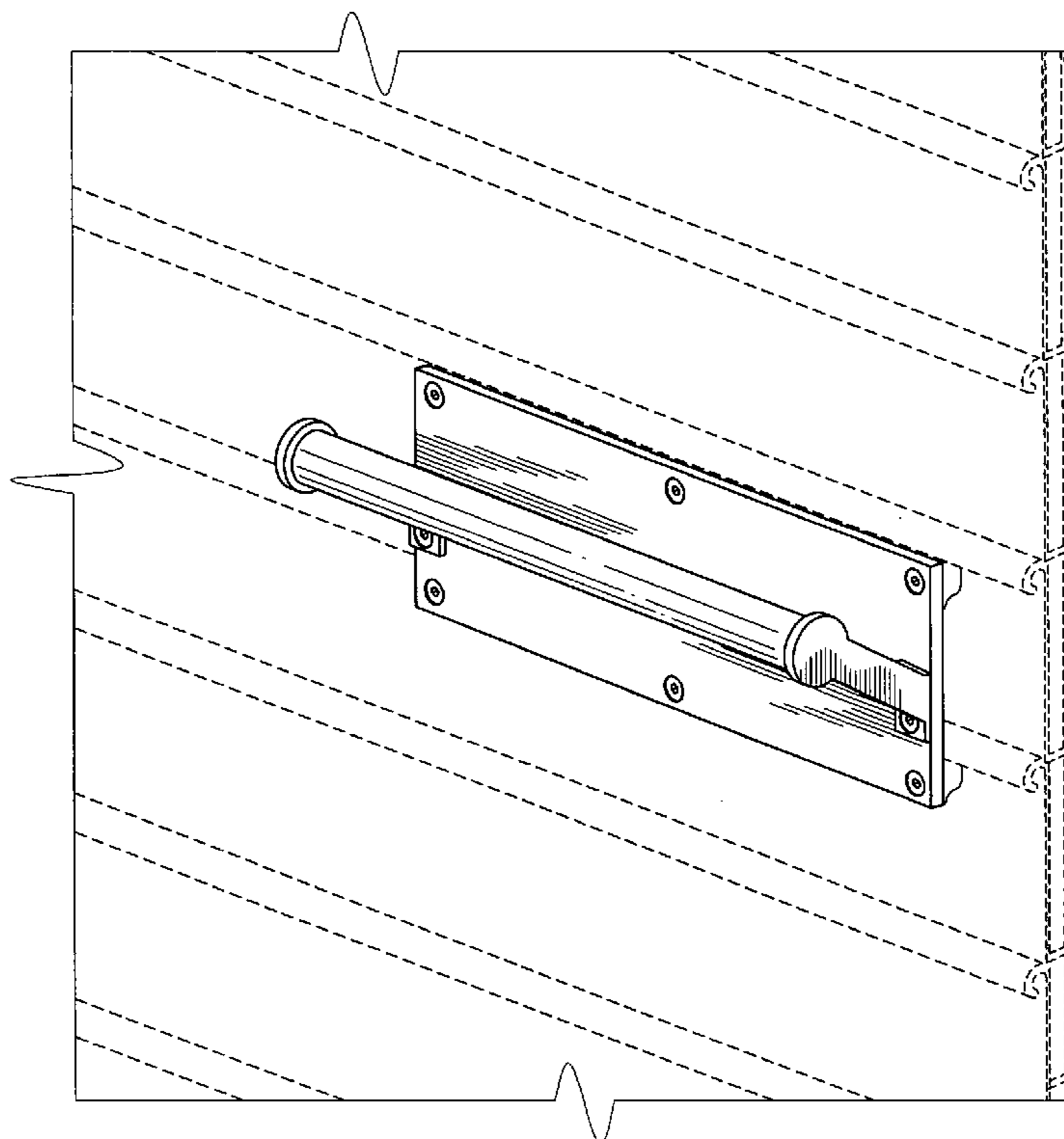


FIG. 1

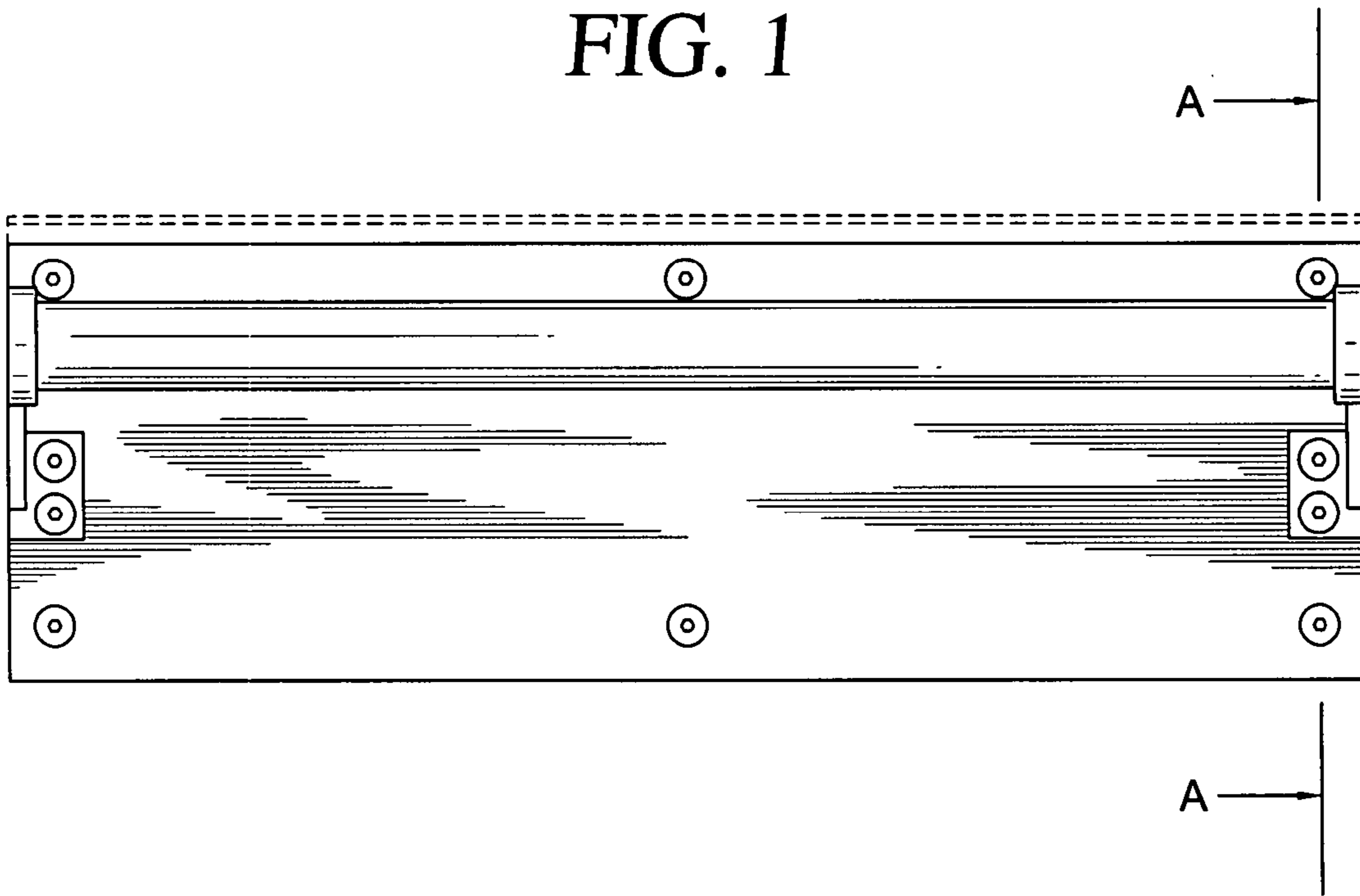


FIG. 2

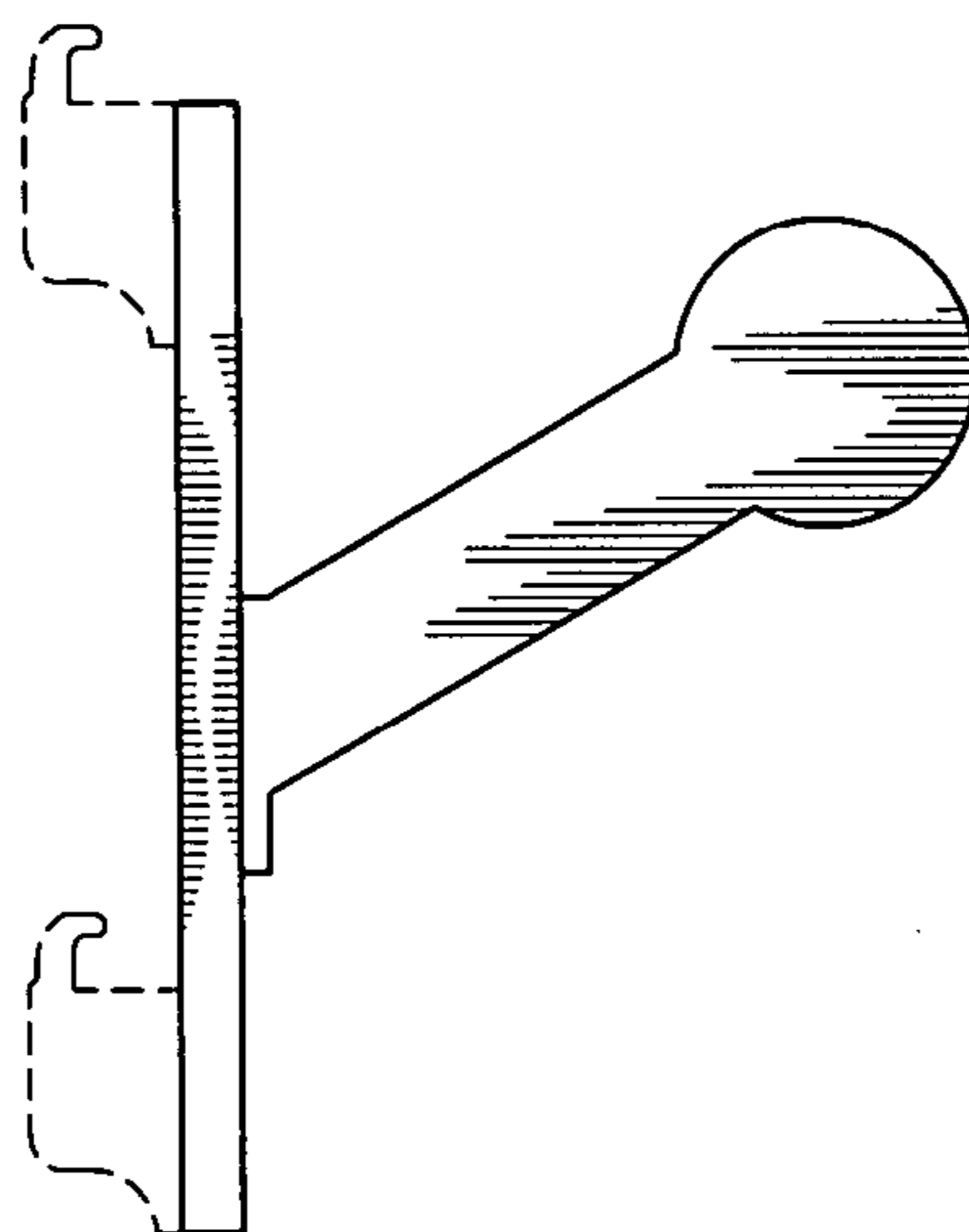


FIG. 3

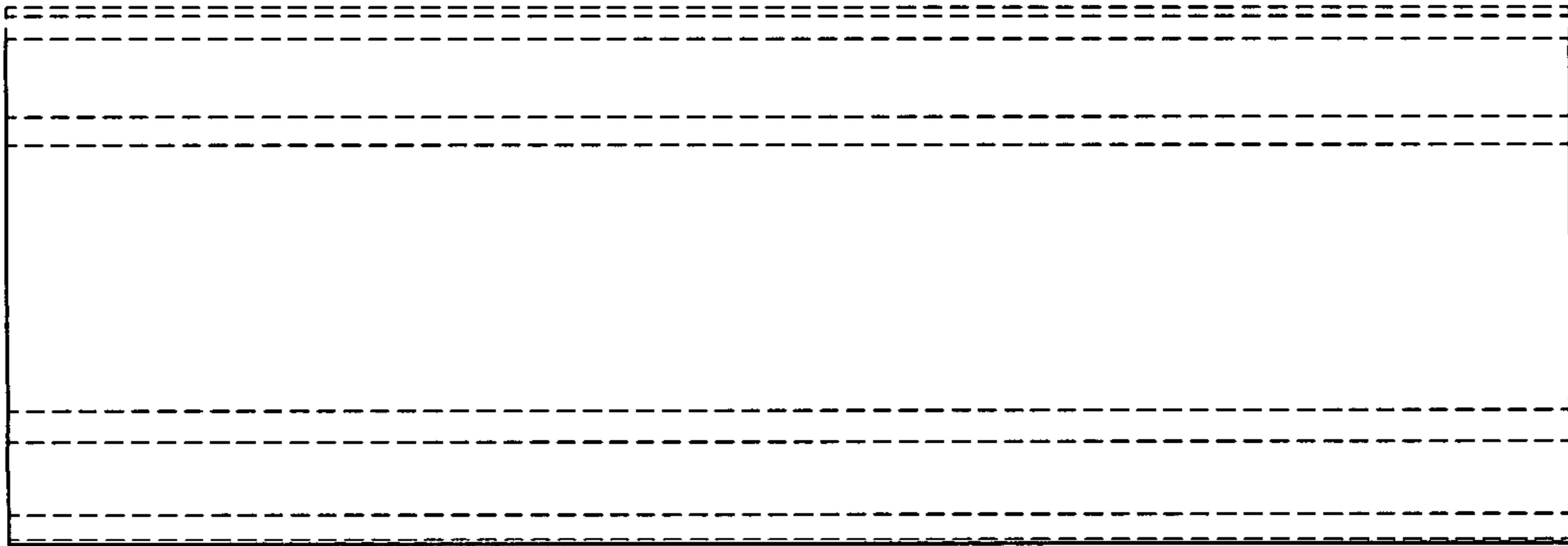


FIG. 4

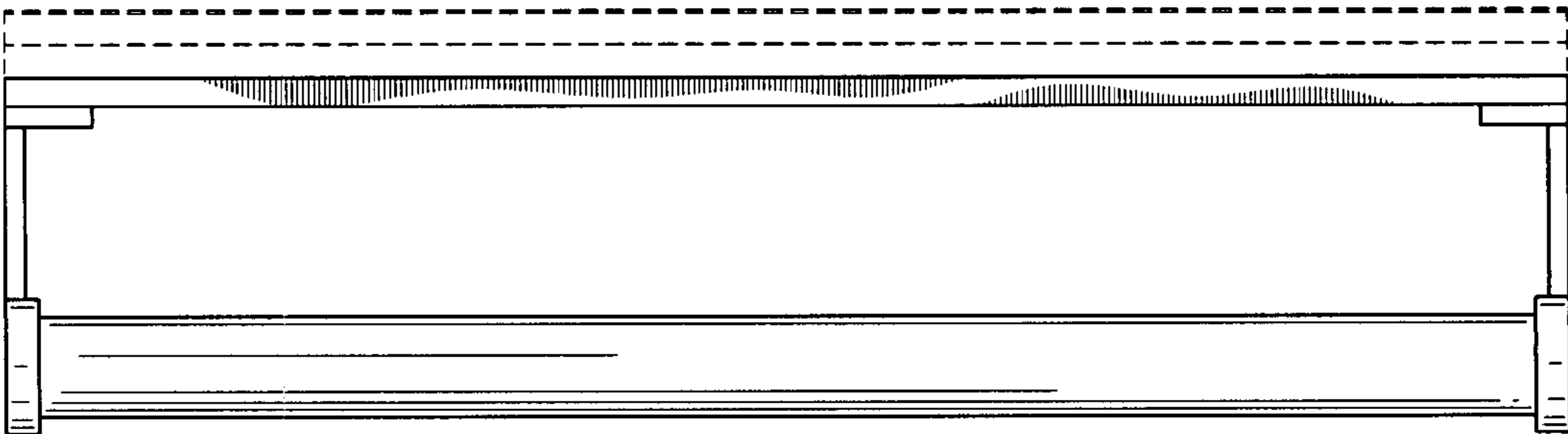


FIG. 5

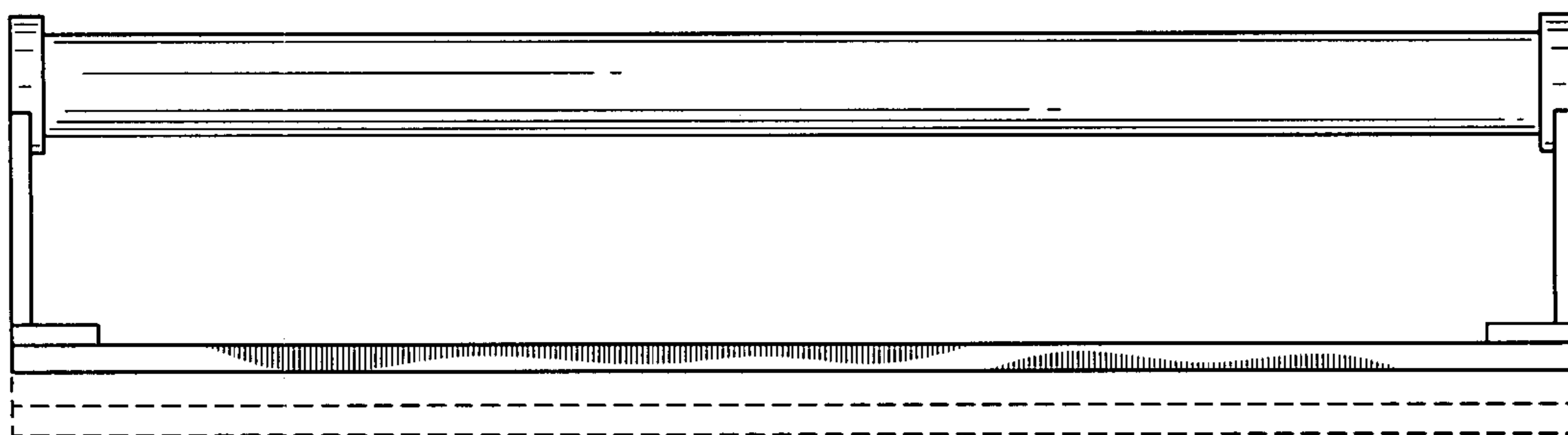


FIG. 6

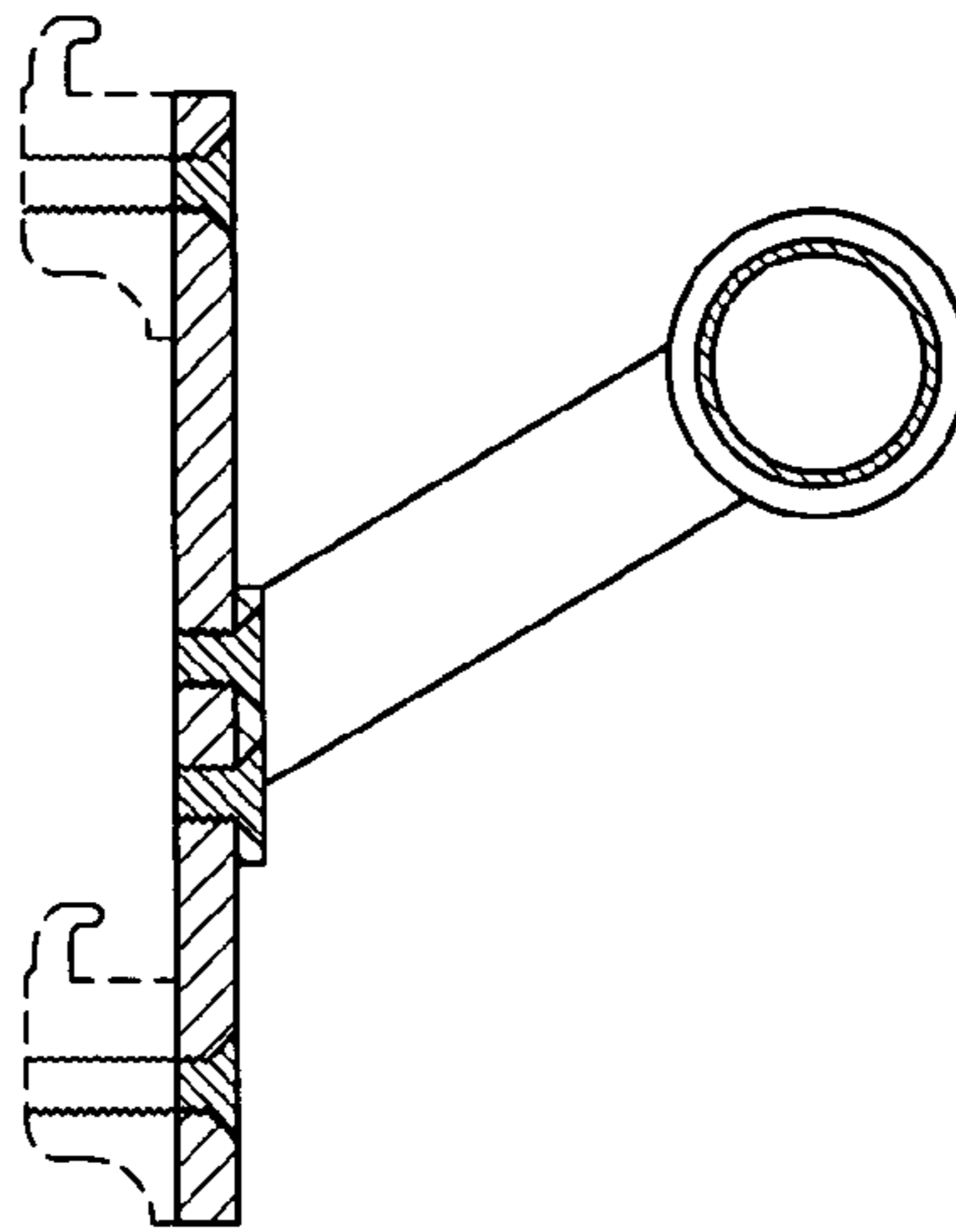


FIG. 7

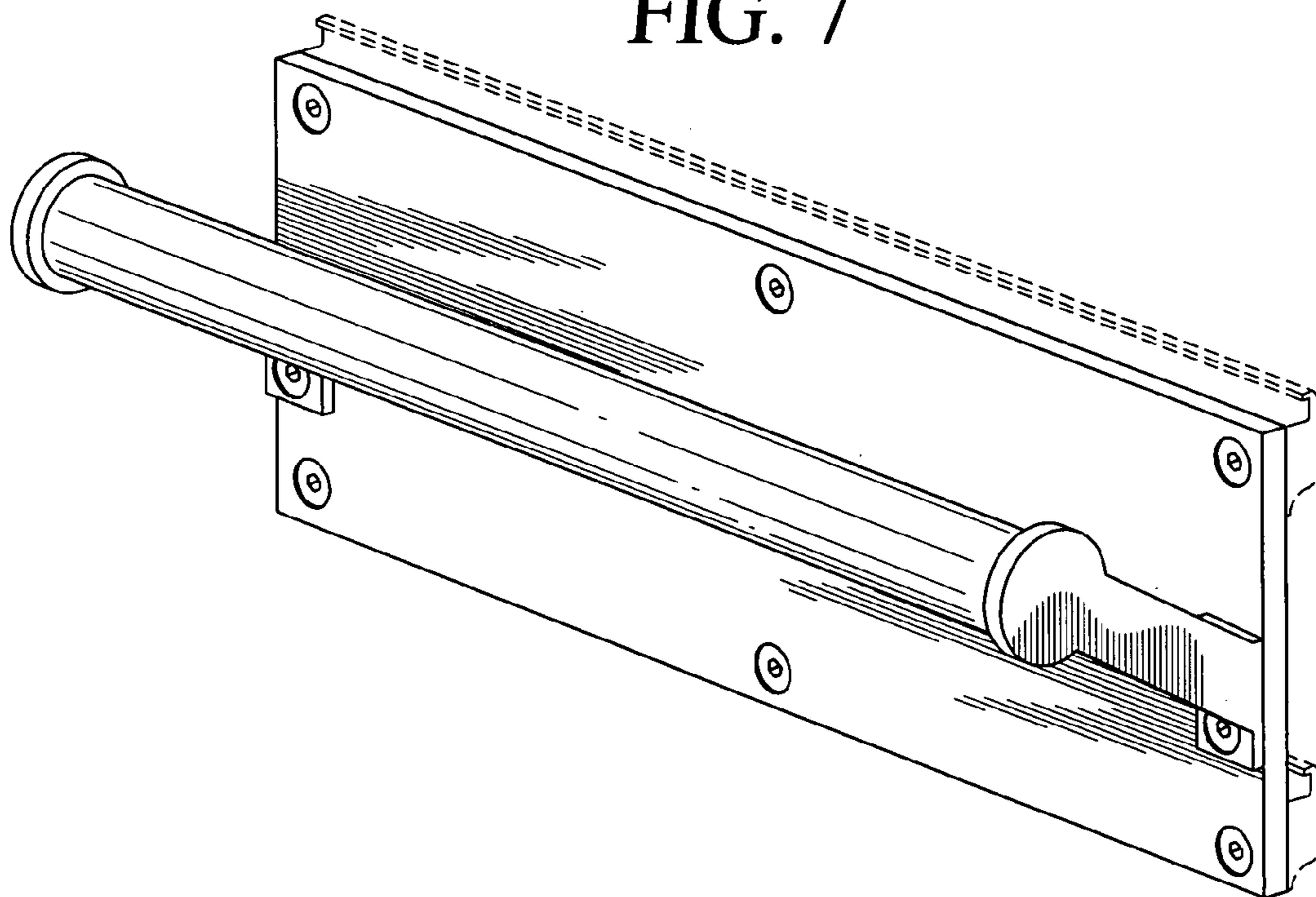


FIG. 8

