

US00D547982S

(12) **United States Design Patent**
Yang et al.

(10) **Patent No.:** **US D547,982 S**

(45) **Date of Patent:** **** Aug. 7, 2007**

(54) **UNDER-SINK ORGANIZER**

(75) Inventors: **Frank Yang**, Rancho Palos Verdes, CA (US); **Adam C. Wade**, Rancho Santa Margarita, CA (US); **Tzu-Hao Wei**, Hacienda Heights, CA (US)

(73) Assignee: **Simplehuman LLC**, Los Angeles, CA (US)

(**) Term: **14 Years**

(21) Appl. No.: **29/243,881**

(22) Filed: **Dec. 1, 2005**

(51) **LOC (8) Cl.** **06-04**

(52) **U.S. Cl.** **D6/510**

(58) **Field of Classification Search** D6/510,
D6/566; D3/304, 306, 309, 315; D19/78-80,
D19/92; 229/100, 406, 913-914; 206/203,
206/214-215, 307.1

See application file for complete search history.

(56) **References Cited**

U.S. PATENT DOCUMENTS

D377,569 S * 1/1997 Coyer D6/510
D454,533 S * 3/2002 Benson D3/304

D472,735 S * 4/2003 Haugen D6/510
D476,812 S * 7/2003 Yamaguchi D3/306
D493,308 S * 7/2004 Nilsson et al. D6/510
D520,239 S * 5/2006 Rand et al. D3/304
D526,454 S * 8/2006 Plikuhn D3/306

* cited by examiner

Primary Examiner—Brian N Vinson

(74) *Attorney, Agent, or Firm*—Raymond Sun

(57) **CLAIM**

The ornamental design for the under-sink organizer, as shown and described.

DESCRIPTION

FIG. 1 is a perspective view of an under-sink organizer according to the present invention;

FIG. 2 is a front plan view of FIG. 1

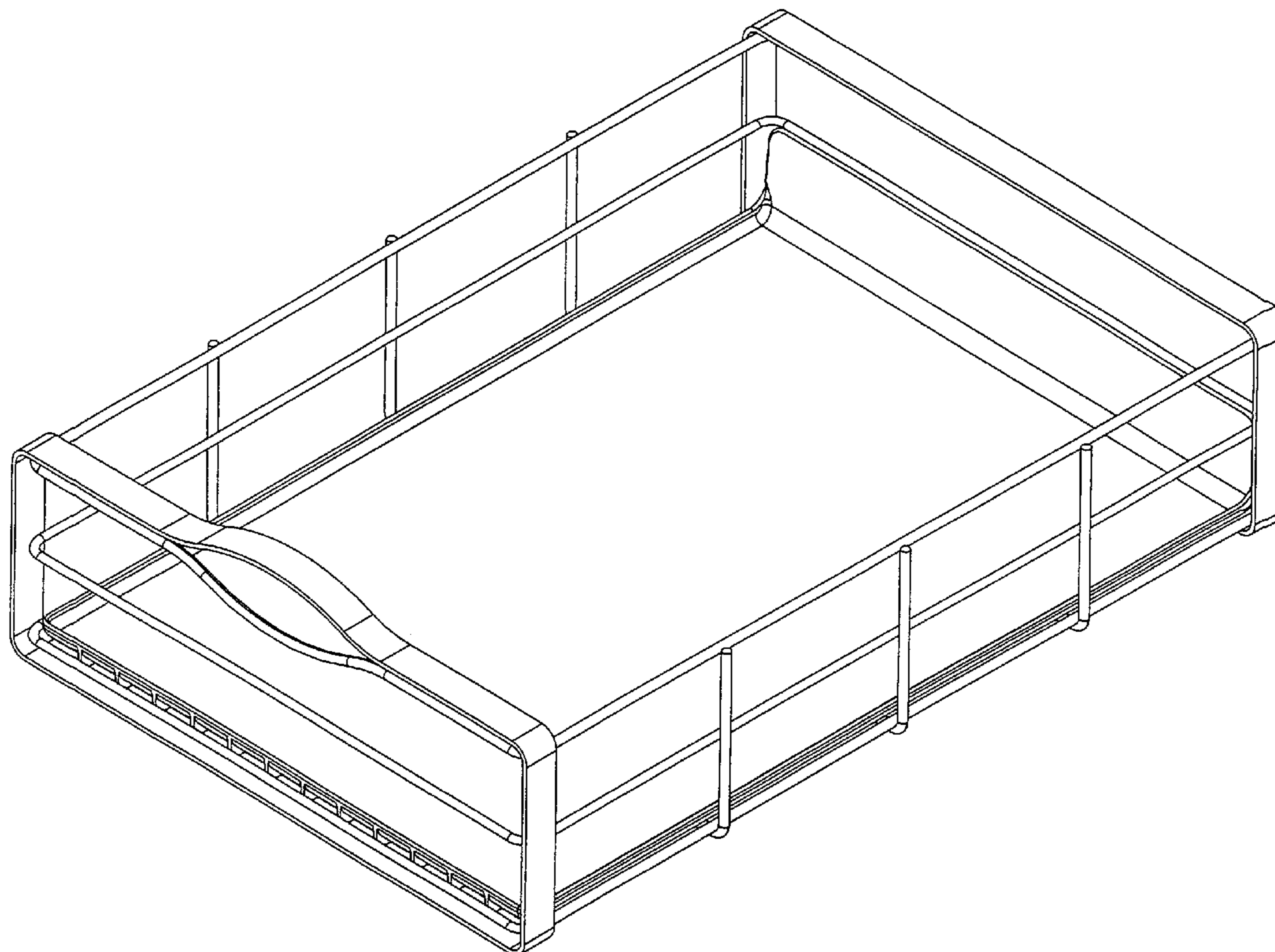
FIG. 3 is a rear plan view of FIG. 1.

FIG. 4 is a top plan view of FIG. 1.

FIG. 5 is a bottom plan view of FIG. 1; and,

FIG. 6 is a left side view, the right side view being symmetrical thereto.

1 Claim, 6 Drawing Sheets



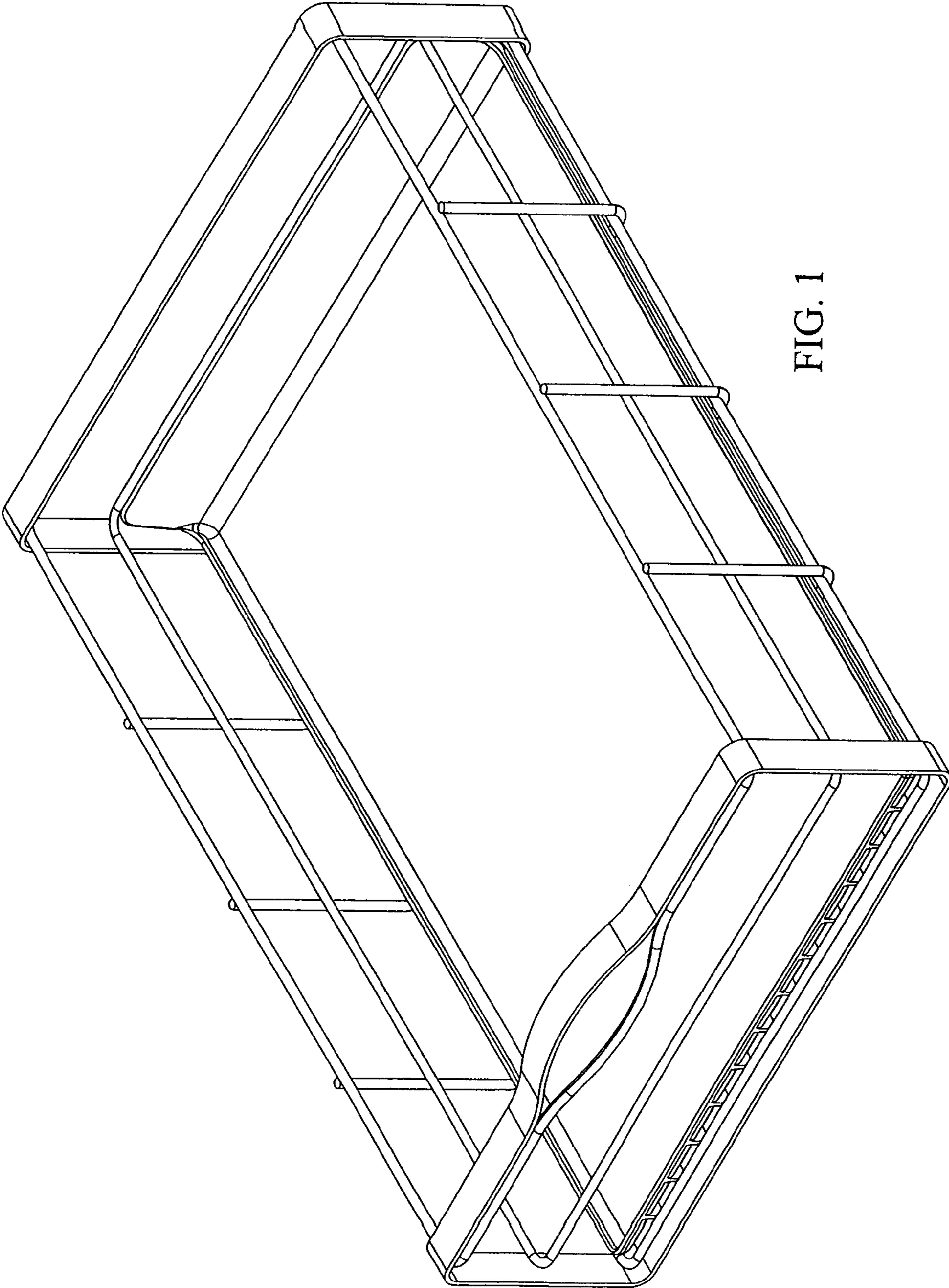


FIG. 1

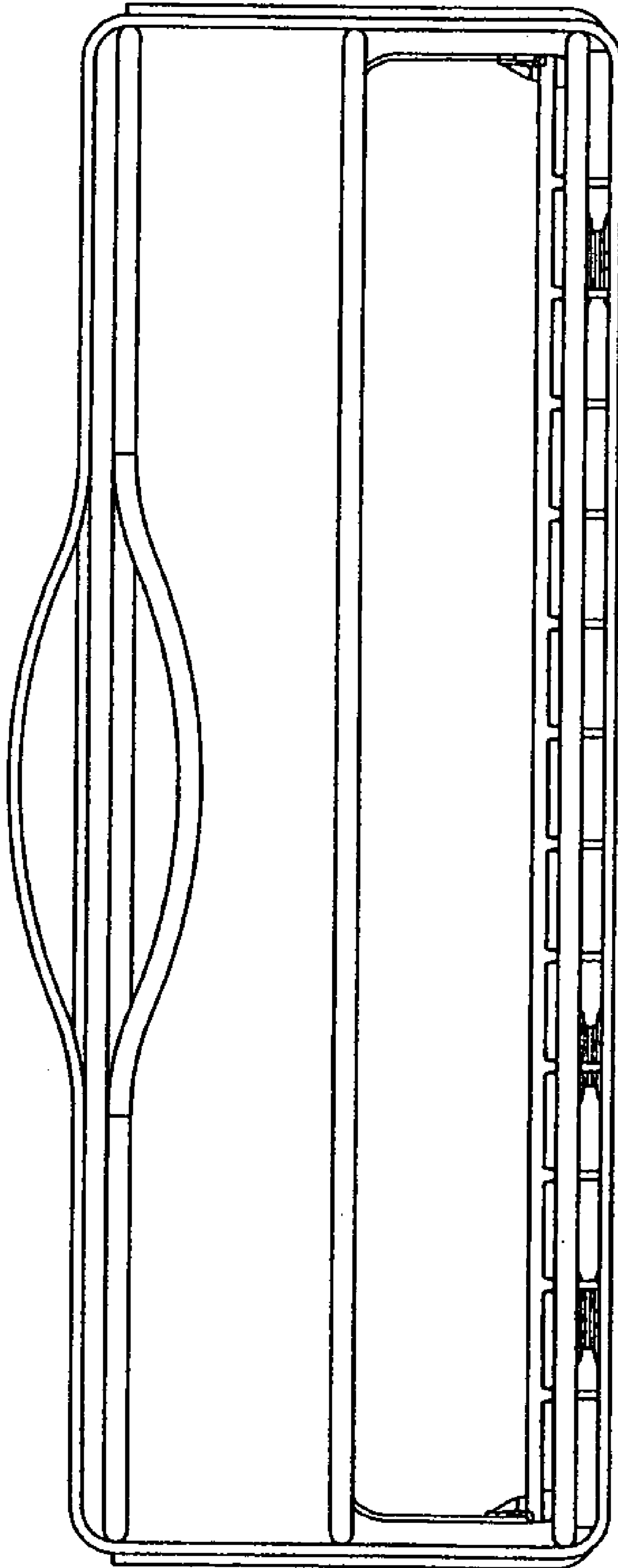


FIG. 2

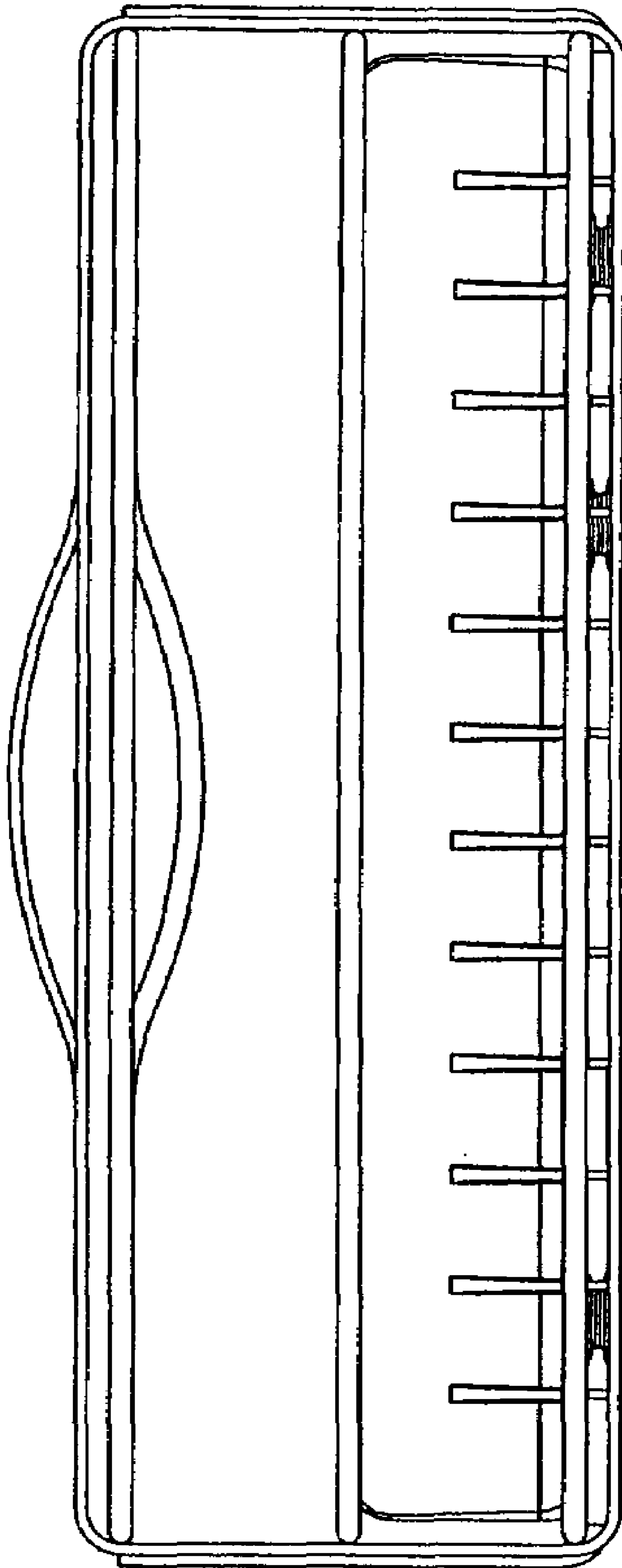


FIG. 3

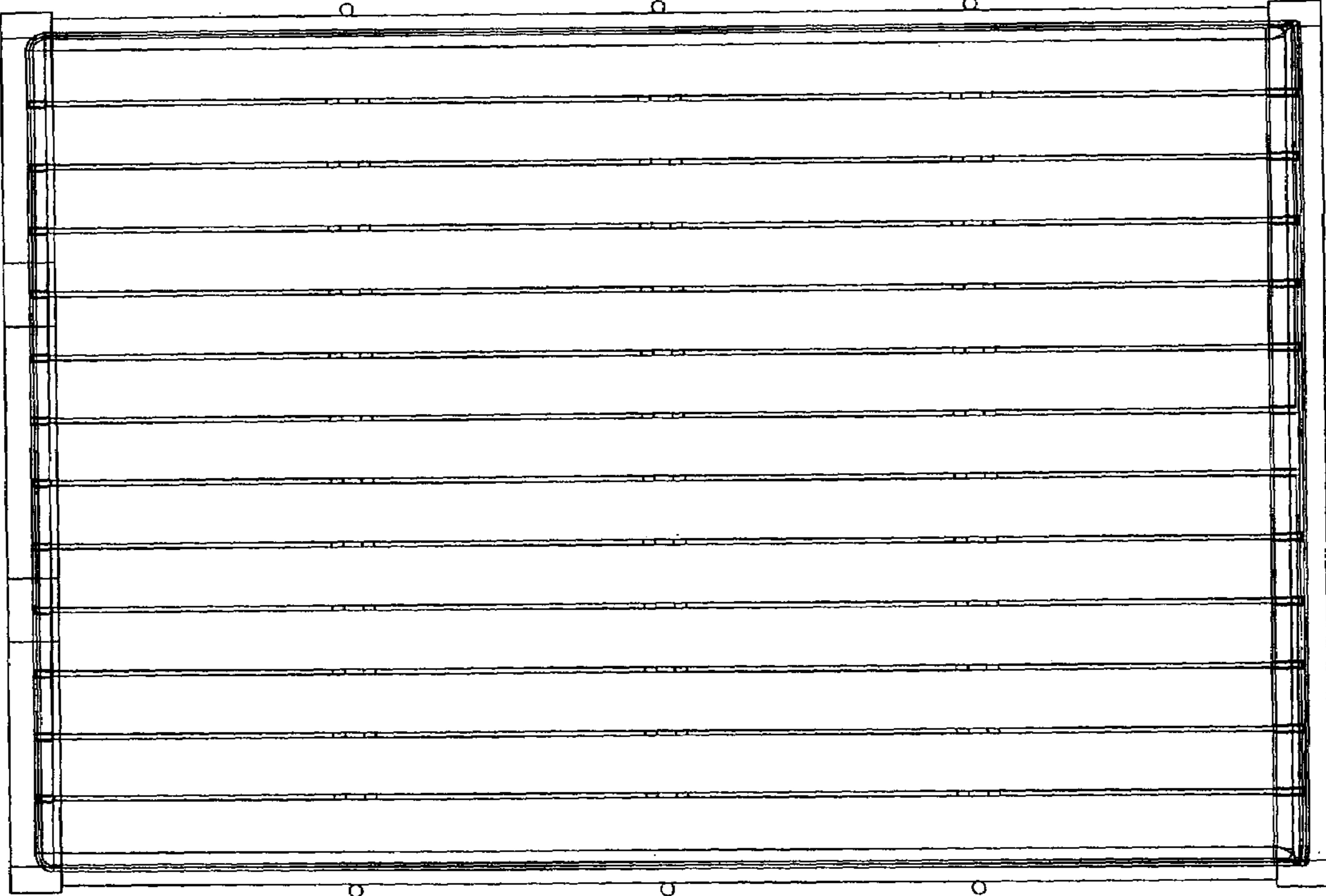


FIG. 4

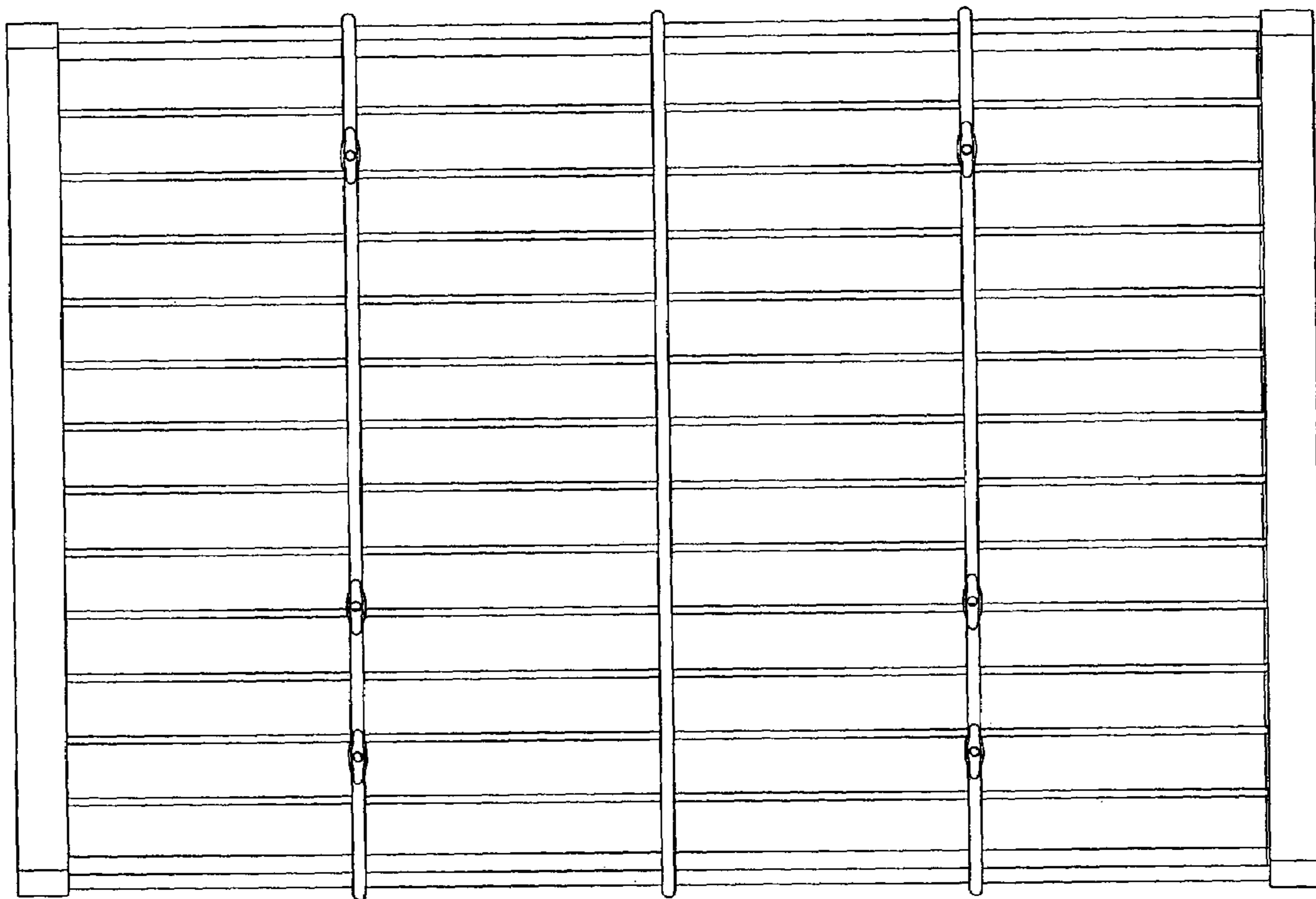


FIG. 5

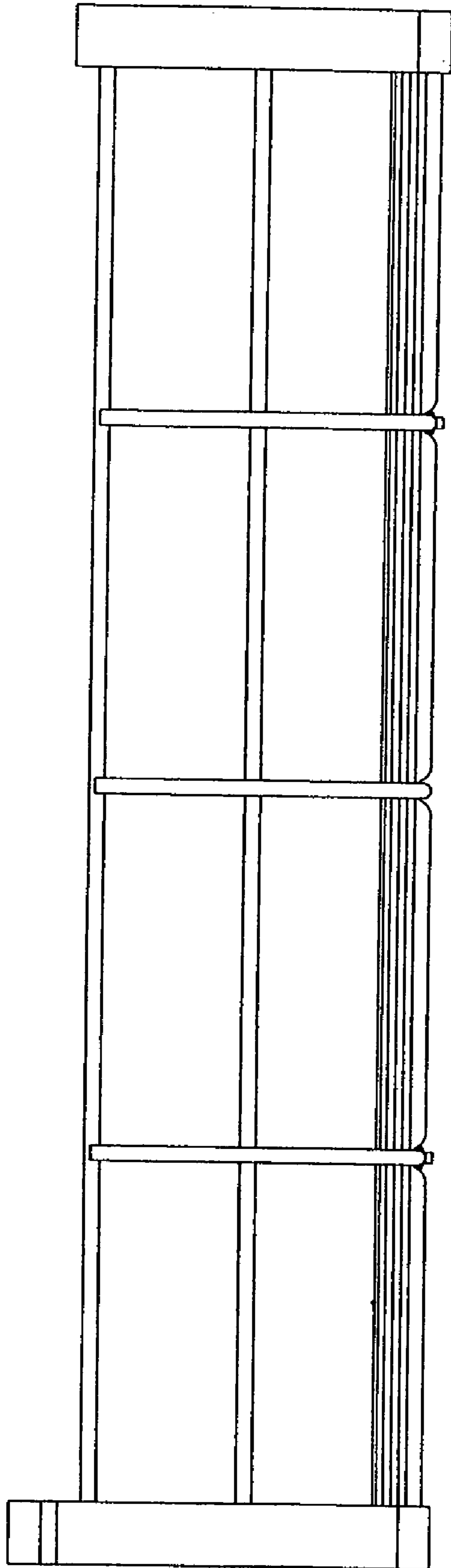


FIG. 6