



US00D547980S

(12) **United States Design Patent**
Glass et al.

(10) **Patent No.:** **US D547,980 S**
(45) **Date of Patent:** **** Aug. 7, 2007**

- (54) **CHAIR BUCKET**
- (75) Inventors: **Peter Glass**, Arroyo Grande, CA (US);
Robert J. Mills, Torrance, CA (US)
- (73) Assignee: **Virco Mgmt. Corporation**, Torrance,
CA (US)
- (**) Term: **14 Years**
- (21) Appl. No.: **29/273,182**
- (22) Filed: **Feb. 27, 2007**
- (51) **LOC (8) Cl.** **06-06**
- (52) **U.S. Cl.** **D6/500; D6/375**
- (58) **Field of Classification Search** D6/334-336,
D6/366, 371-373, 374, 375, 376, 379, 380,
D6/500-502; 297/239, 448.1, 452.12, 452.14,
297/452.2

See application file for complete search history.

(56) **References Cited**

U.S. PATENT DOCUMENTS

- D116,231 S * 8/1939 Holzinger D6/372
- D142,800 S * 11/1945 Watson D6/375
- D174,927 S * 6/1955 Shannon D6/375
- 2,745,468 A 5/1956 Kramer
- D178,880 S * 10/1956 Hauser D6/375
- D182,790 S * 5/1958 Cohen D6/375
- D189,347 S * 11/1960 Chapman et al. D6/375
- D192,559 S 4/1962 Chapman
- D193,657 S 9/1962 Van Buren, Jr.
- D193,708 S 10/1962 Keown
- D197,643 S 3/1964 Kramer
- D200,640 S 3/1965 Yamasaki
- 3,201,172 A * 8/1965 Bliss 297/448.1
- D202,548 S 10/1965 Kramer
- D202,549 S 10/1965 Kramer
- D202,550 S * 10/1965 Kramer D6/375
- D210,940 S 5/1968 Eames
- D214,622 S 7/1969 Scheier et al.
- D236,670 S * 9/1975 Uyeda D6/375

- D237,330 S 10/1975 Skyer
- D240,373 S 7/1976 Morton
- D248,810 S 8/1978 Day
- D254,042 S 1/1980 Hosoe
- D281,941 S 12/1985 Ambasz et al.
- D295,585 S 5/1988 Mulhauser
- D307,837 S 5/1990 Grant
- 5,123,702 A * 6/1992 Caruso 297/239
- D333,044 S * 2/1993 Caruso D6/373
- D358,514 S 5/1995 Lovegrove
- D360,083 S * 7/1995 Lohmeyer D6/375
- D409,407 S 5/1999 Wang
- D410,801 S 6/1999 Holbrook
- D414,618 S 10/1999 Holbrook
- D422,805 S * 4/2000 Smith D6/373

(Continued)

OTHER PUBLICATIONS

Virco Equipment for Educators catalog, p. 92, Nov. 2005.

Primary Examiner—Mimosa De

(74) *Attorney, Agent, or Firm*—Robert M. Hupe

(57) **CLAIM**

The ornamental design for a “chair bucket,” as shown and described.

DESCRIPTION

FIG. 1 is a top perspective view of a chair bucket showing my new design;

FIG. 2 a front view thereof;

FIG. 3 is a left side view thereof, the opposite side view being a mirror image thereof;

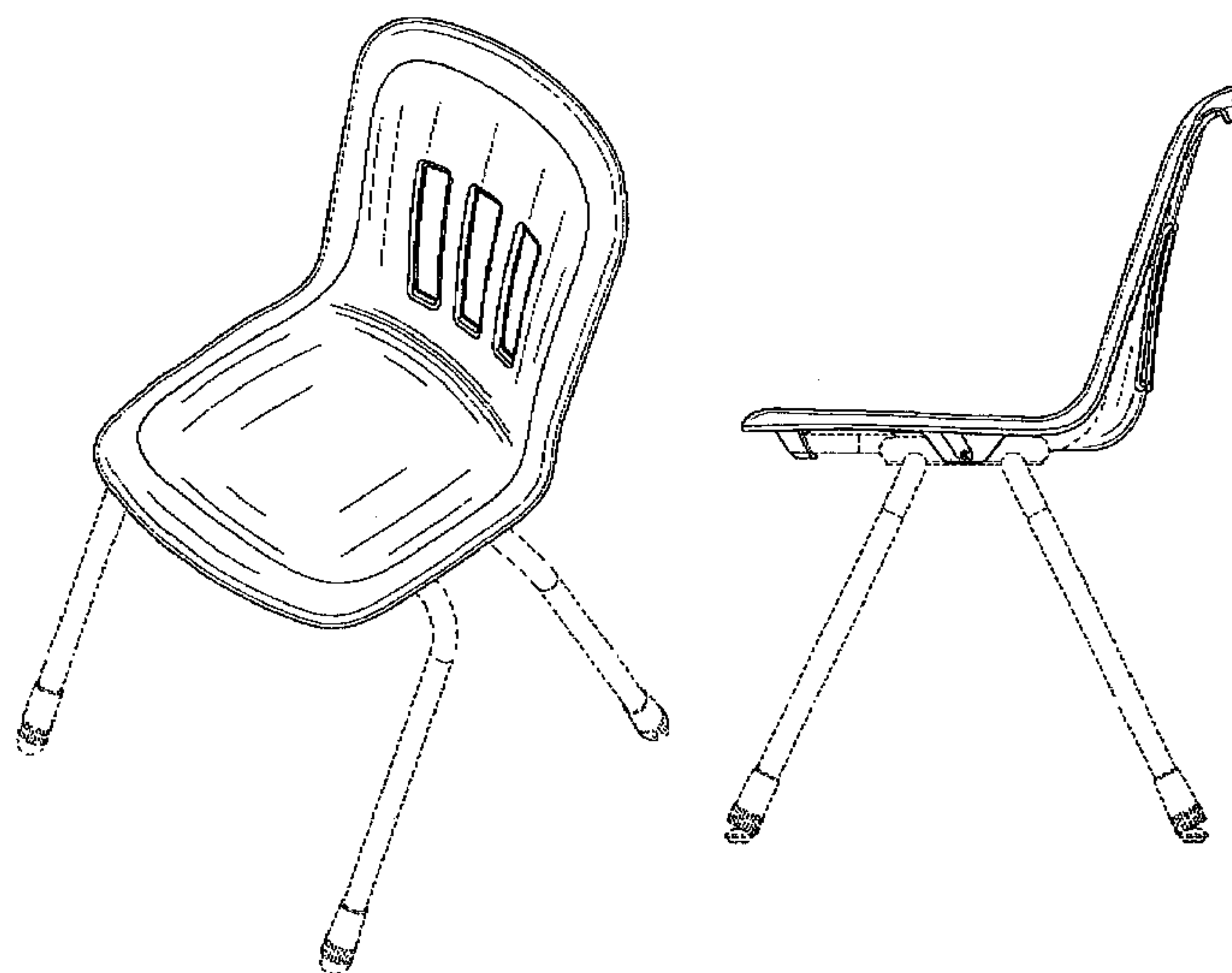
FIG. 4 is a top view thereof;

FIG. 5 is a bottom view thereof; and,

FIG. 6 is a back view thereof.

The broken lines are for illustrative purposes only and form no part of the claimed design.

1 Claim, 3 Drawing Sheets



US D547,980 S

Page 2

U.S. PATENT DOCUMENTS

D467,445 S	*	12/2002	Saffell et al.	D6/374	D503,559 S	*	4/2005	Glass et al.	D6/372
D470,320 S		2/2003	Schloss		D507,893 S	*	8/2005	Glass et al.	D6/375
D471,729 S	*	3/2003	Glass et al.	D6/375	D508,340 S		8/2005	Barbieri	
D471,730 S		3/2003	Schloss		D513,911 S	*	1/2006	Glass et al.	D6/502
D473,407 S		4/2003	Ross		D514,339 S	*	2/2006	Glass et al.	D6/366
D493,642 S		8/2004	Maran		D514,829 S		2/2006	Glass et al.	
D494,789 S		8/2004	Brown		D522,265 S	*	6/2006	Glass et al.	D6/375
D497,065 S		10/2004	Lucci		D526,134 S	*	8/2006	Glass et al.	D6/348
D499,260 S	*	12/2004	Glass et al.	D6/375					

* cited by examiner

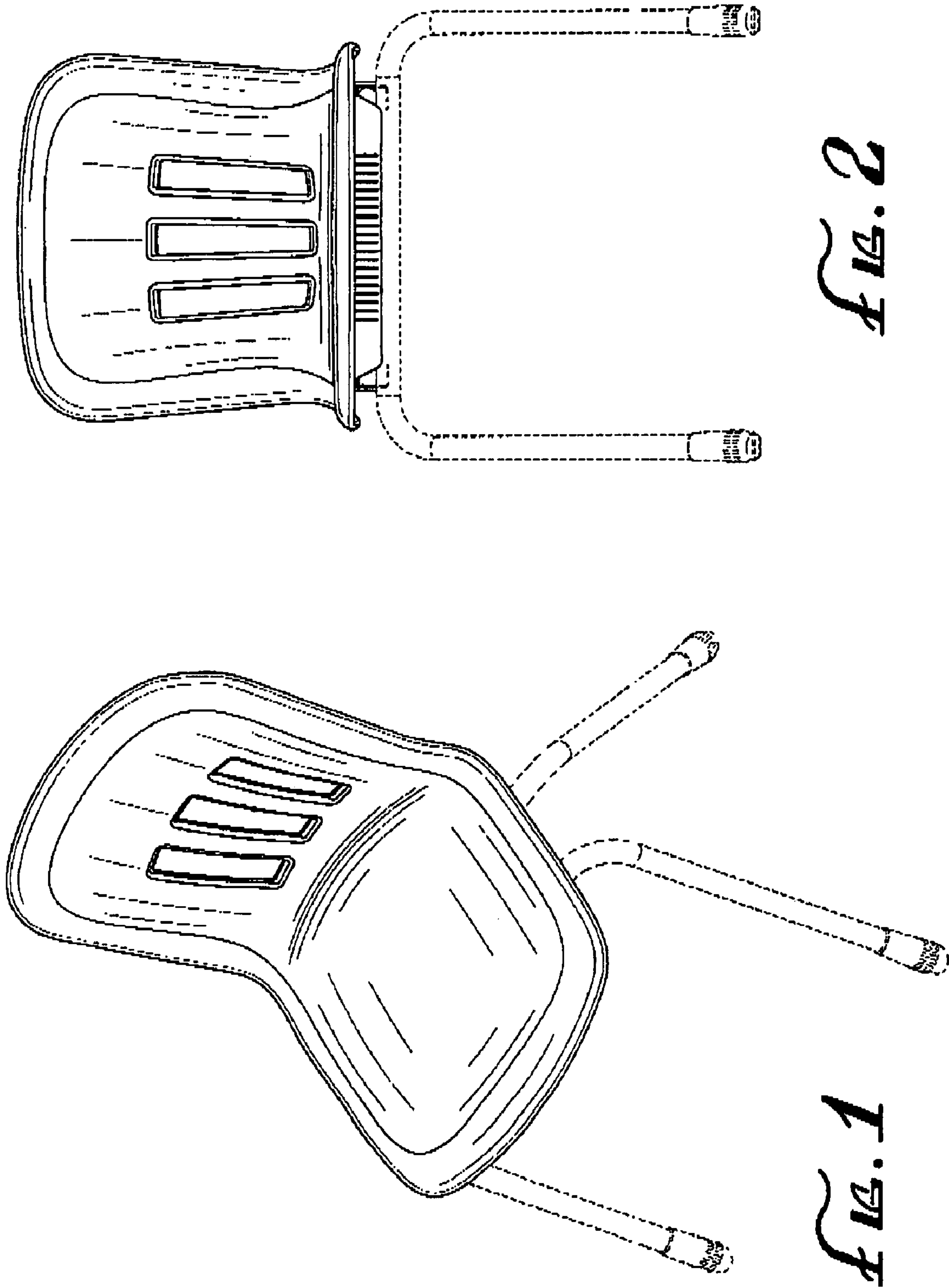


FIG. 2

FIG. 1

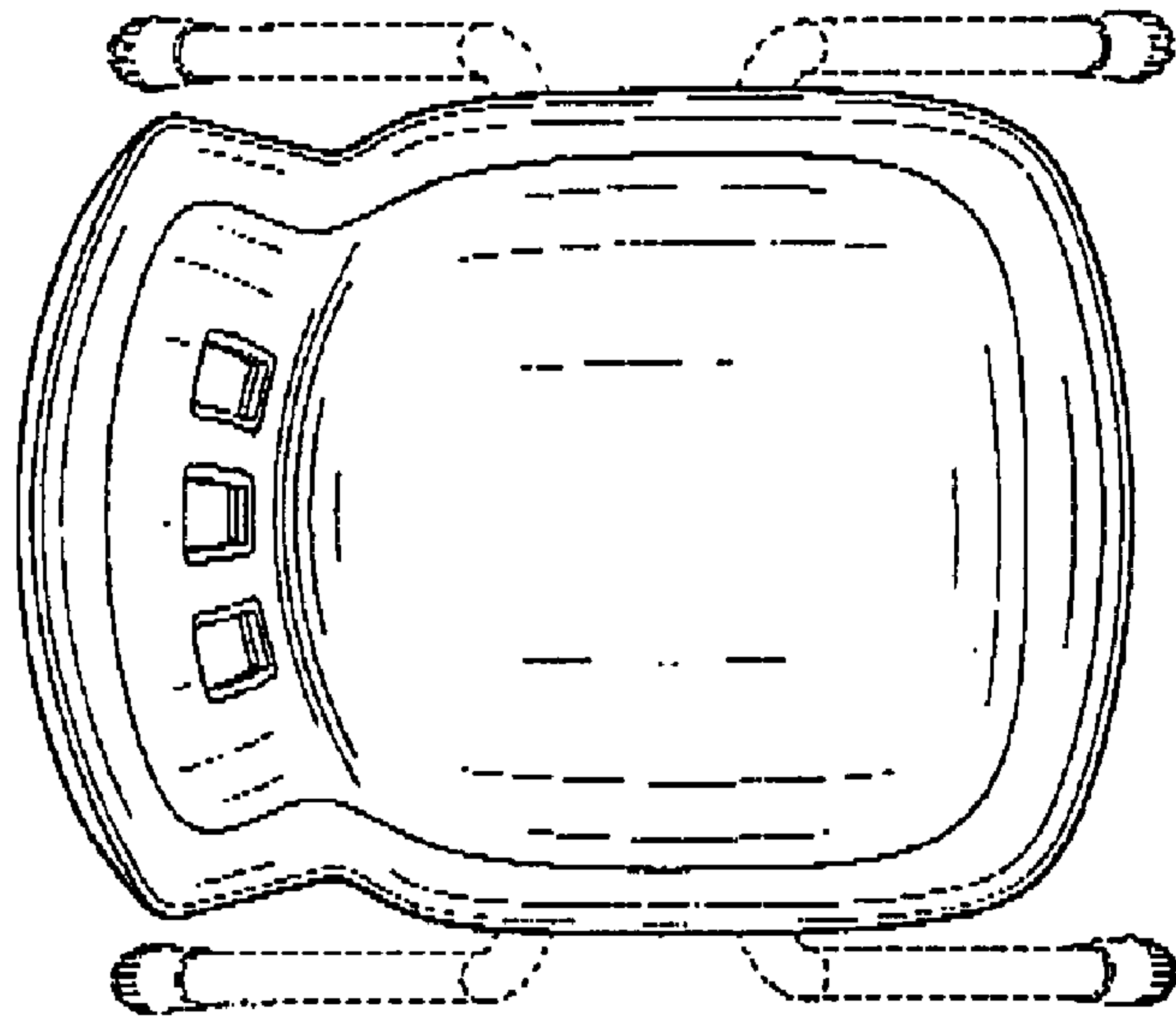


FIG. 1

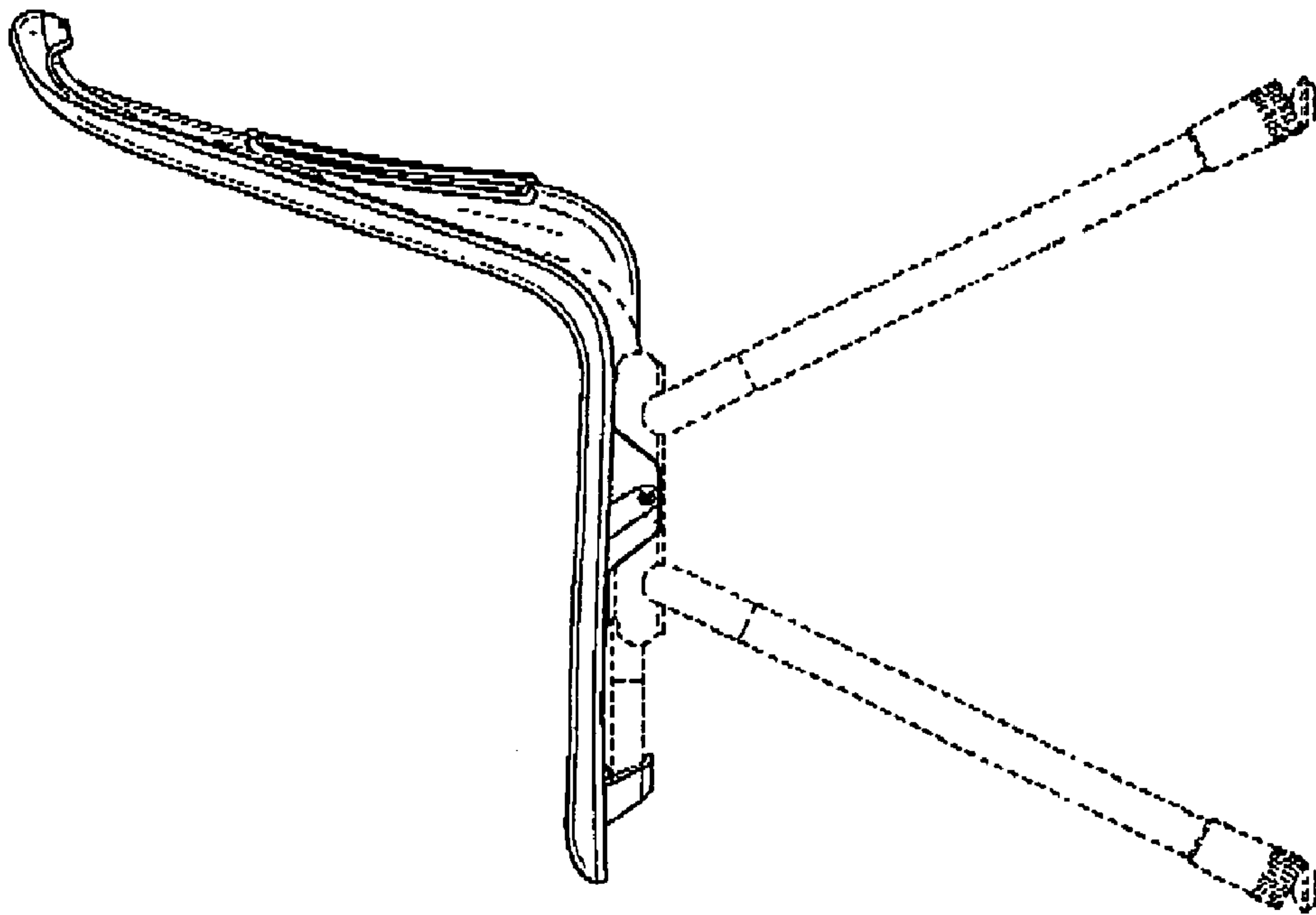


FIG. 3

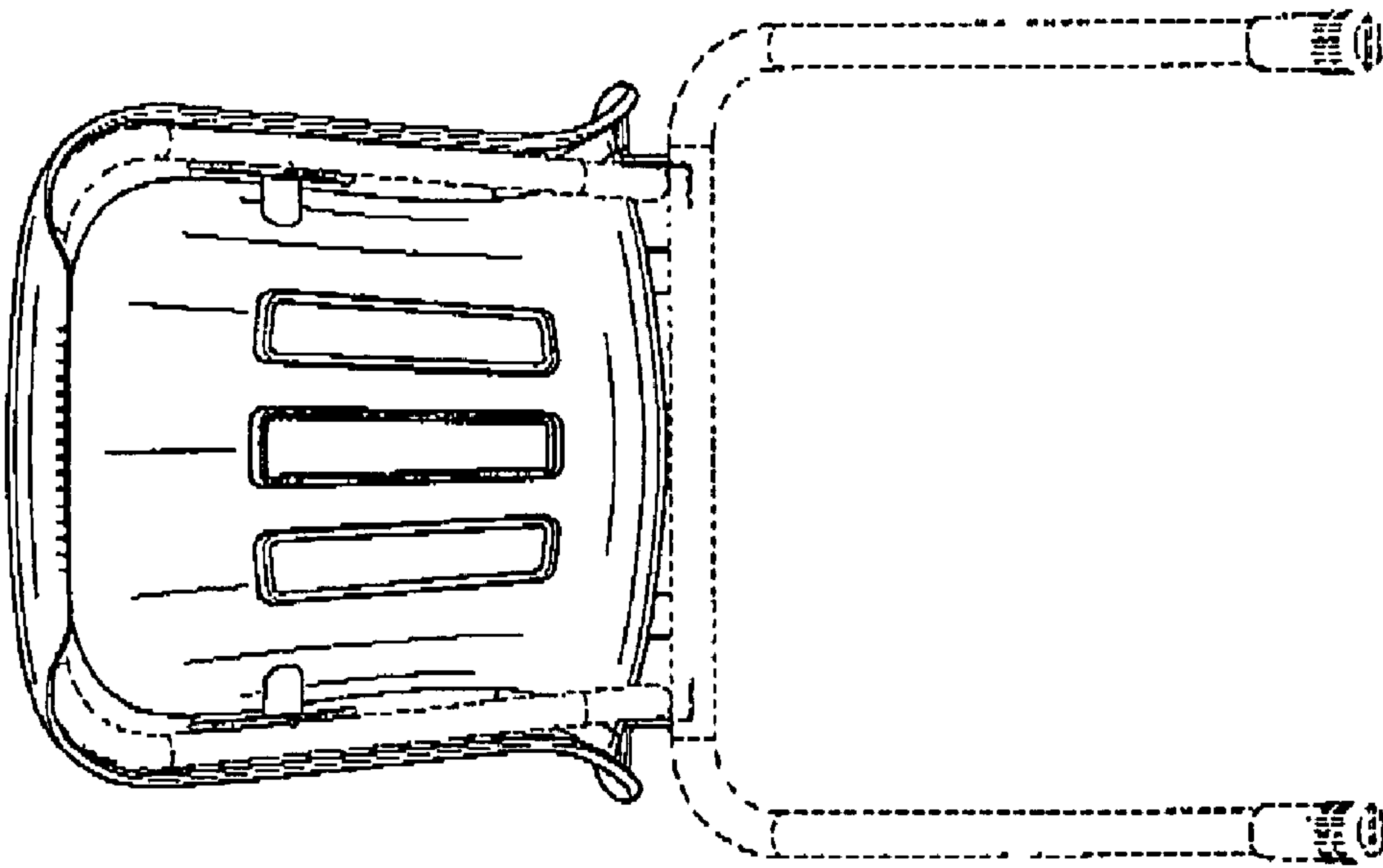


FIG. 10

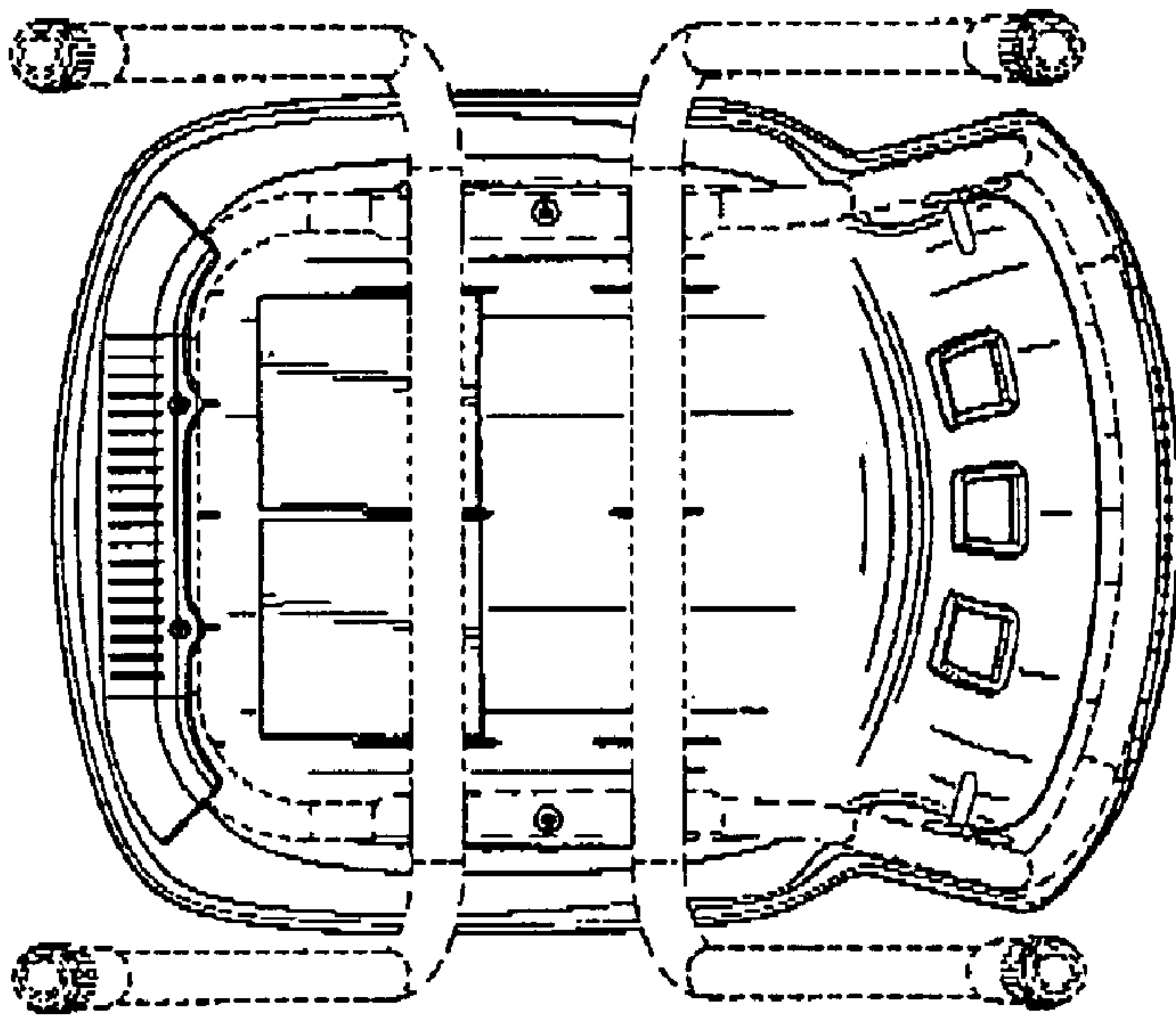


FIG. 11