

US00D547979S

(12) **United States Design Patent**  
**Glass et al.**

(10) **Patent No.:** **US D547,979 S**

(45) **Date of Patent:** **\*\* Aug. 7, 2007**

(54) **CHAIR FRAME**

(75) Inventors: **Peter Glass**, Arroyo Grande, CA (US);  
**Robert J. Mills**, Torrance, CA (US)

(73) Assignee: **Virco Mgmt. Corporation**, Torrance,  
CA (US)

(\*\*) Term: **14 Years**

(21) Appl. No.: **29/273,105**

(22) Filed: **Feb. 23, 2007**

(51) **LOC (8) Cl.** ..... **06-06**

(52) **U.S. Cl.** ..... **D6/500; D6/375; D6/499**

(58) **Field of Classification Search** ..... D6/334-336,  
D6/366, 371-373, 374, 375, 376, 379, 380,  
D6/499, 500-502, 239; 297/448.1, 452.12,  
297/452.18, 452.19, 452.2

See application file for complete search history.

(56) **References Cited**

**U.S. PATENT DOCUMENTS**

D161,177 S	12/1950	Harrison	
D169,930 S *	6/1953	Chapman et al. ....	D6/374
D182,790 S *	5/1958	Cohen .....	D6/375
2,838,100 A *	6/1958	Follows .....	297/452.2
D183,437 S	8/1958	Williams	
D183,444 S	9/1958	Alverson	
D189,347 S *	11/1960	Chapman et al. ....	D6/375
D190,502 S	6/1961	Alverson	
3,319,999 A *	5/1967	Lieberman et al. ....	297/239
4,062,590 A *	12/1977	Polsky et al. ....	297/452.2
5,549,358 A *	8/1996	Muller .....	297/452.19

D388,629 S *	1/1998	Piretti .....	D6/380
D417,969 S	12/1999	Holbrook	
6,715,838 B1 *	4/2004	Pflaster et al. ....	297/452.2
D499,260 S *	12/2004	Glass et al. ....	D6/375
D522,265 S *	6/2006	Glass et al. ....	D6/375
D524,082 S *	7/2006	Dettmann et al. ....	D6/500

\* cited by examiner

*Primary Examiner*—Mimosa De

(74) *Attorney, Agent, or Firm*—Robert M. Hupe; Virco  
Mgmt. Corporation

(57) **CLAIM**

The ornamental design for a “chair frame,” as shown and  
described.

**DESCRIPTION**

FIG. 1 is a top perspective view of a chair frame showing my  
new design;

FIG. 2 a front view thereof;

FIG. 3 is a left side view thereof, the opposite side view  
being a mirror image thereof;

FIG. 4 is a top view thereof;

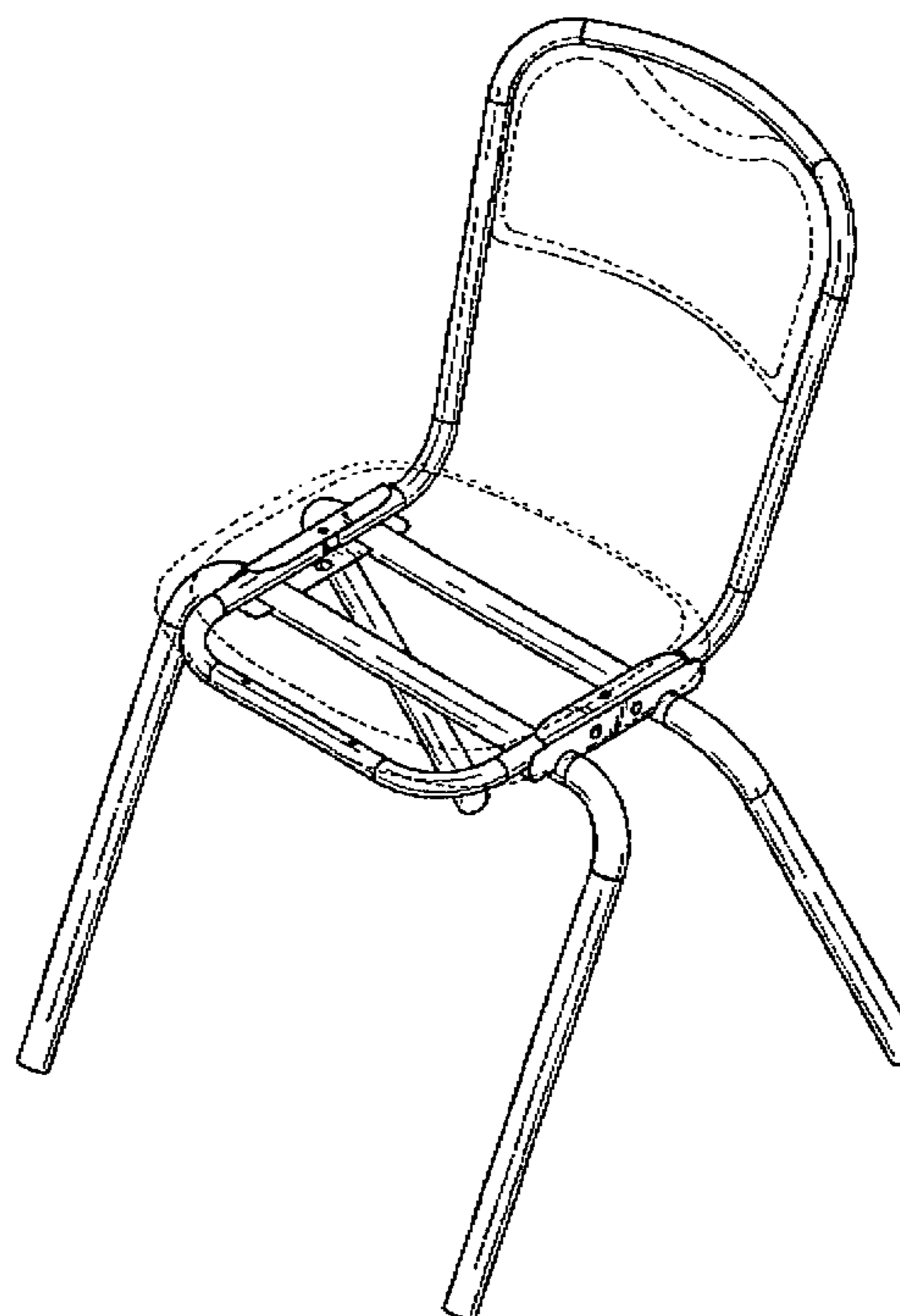
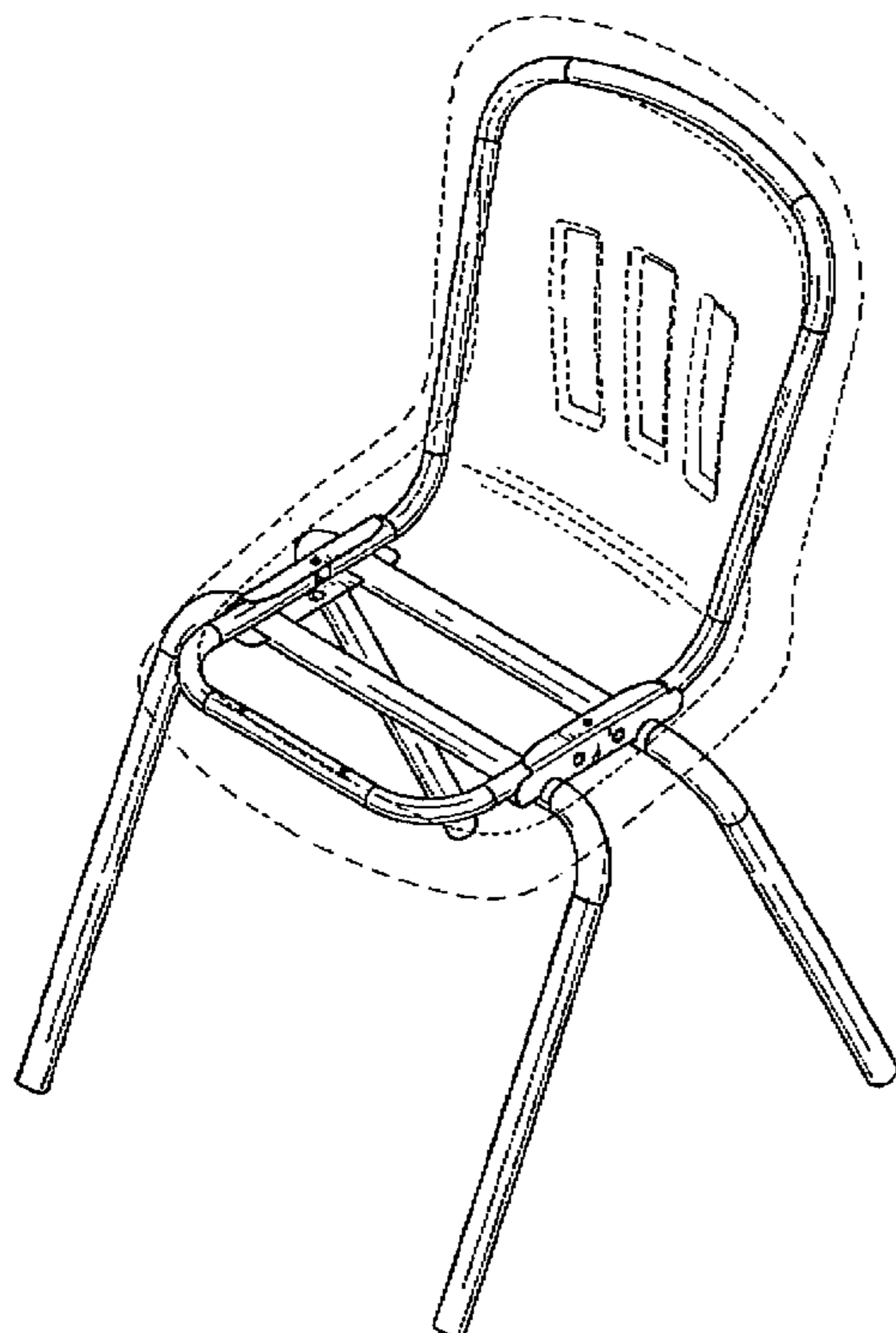
FIG. 5 is a bottom view thereof;

FIG. 6 is a back view thereof; and,

FIG. 7 is top perspective view thereof showing an alternative  
seat and back arrangement.

The broken lines are for illustrative purposes only and form  
no part of the claimed design.

**1 Claim, 4 Drawing Sheets**



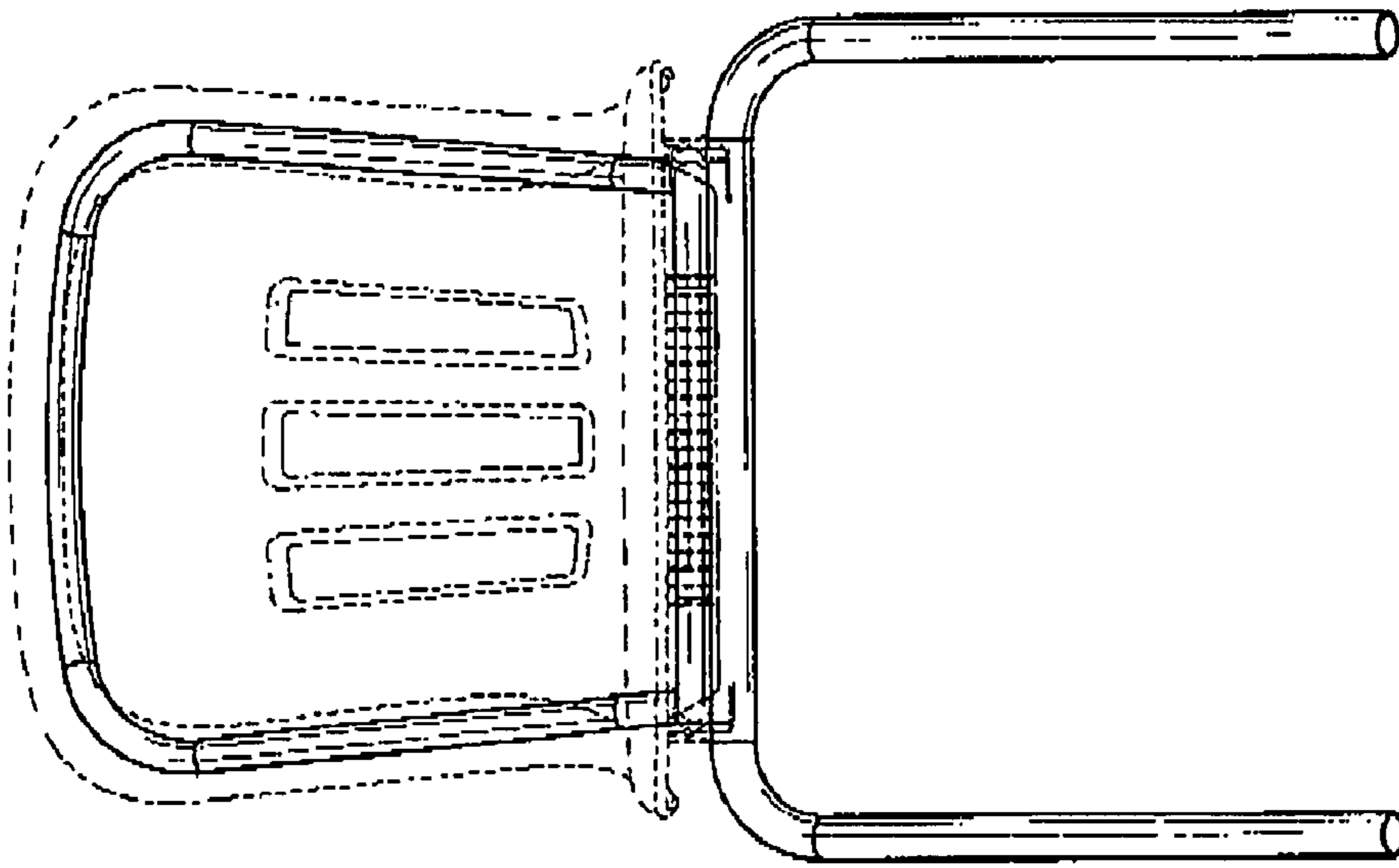


FIG. 2

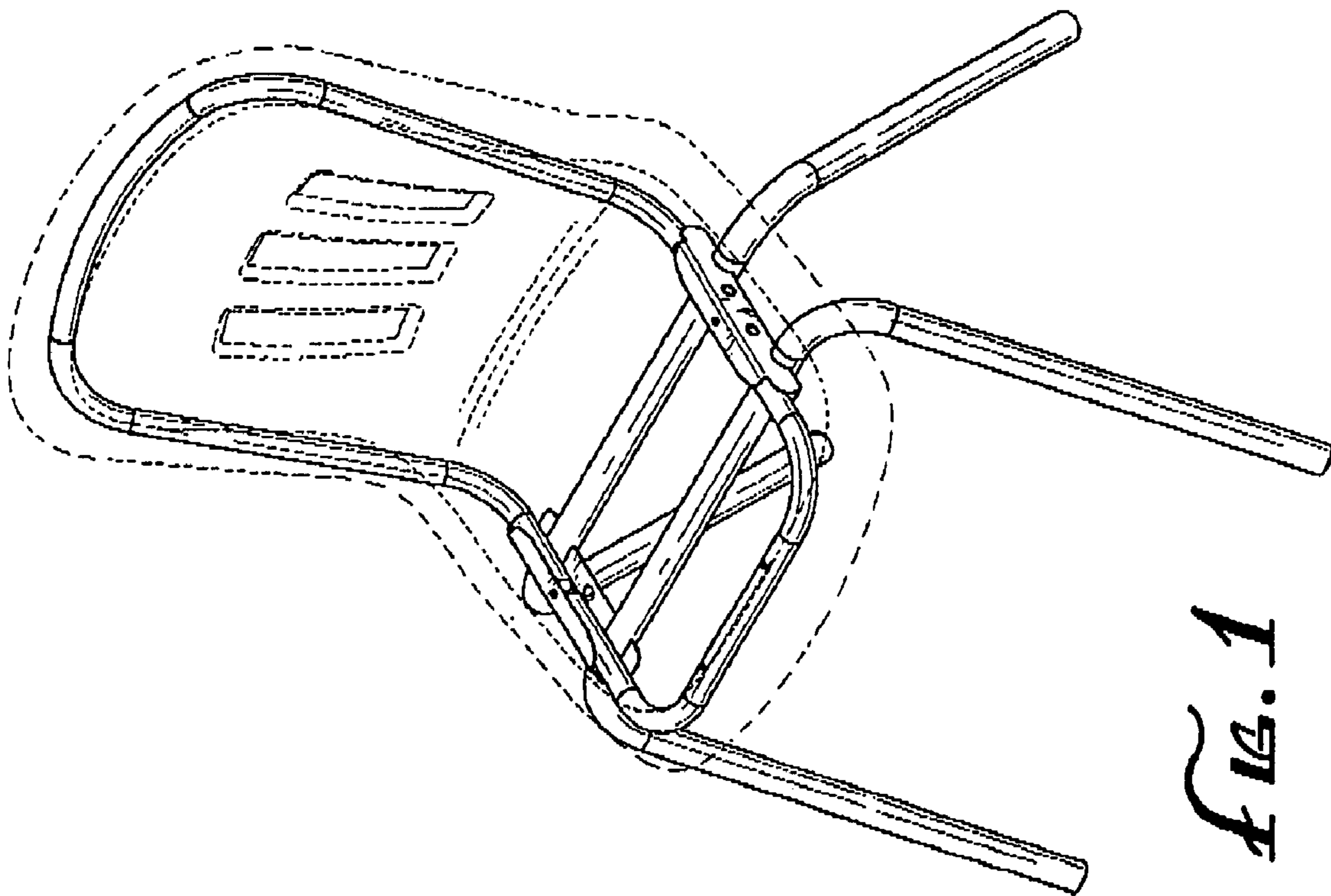


FIG. 1

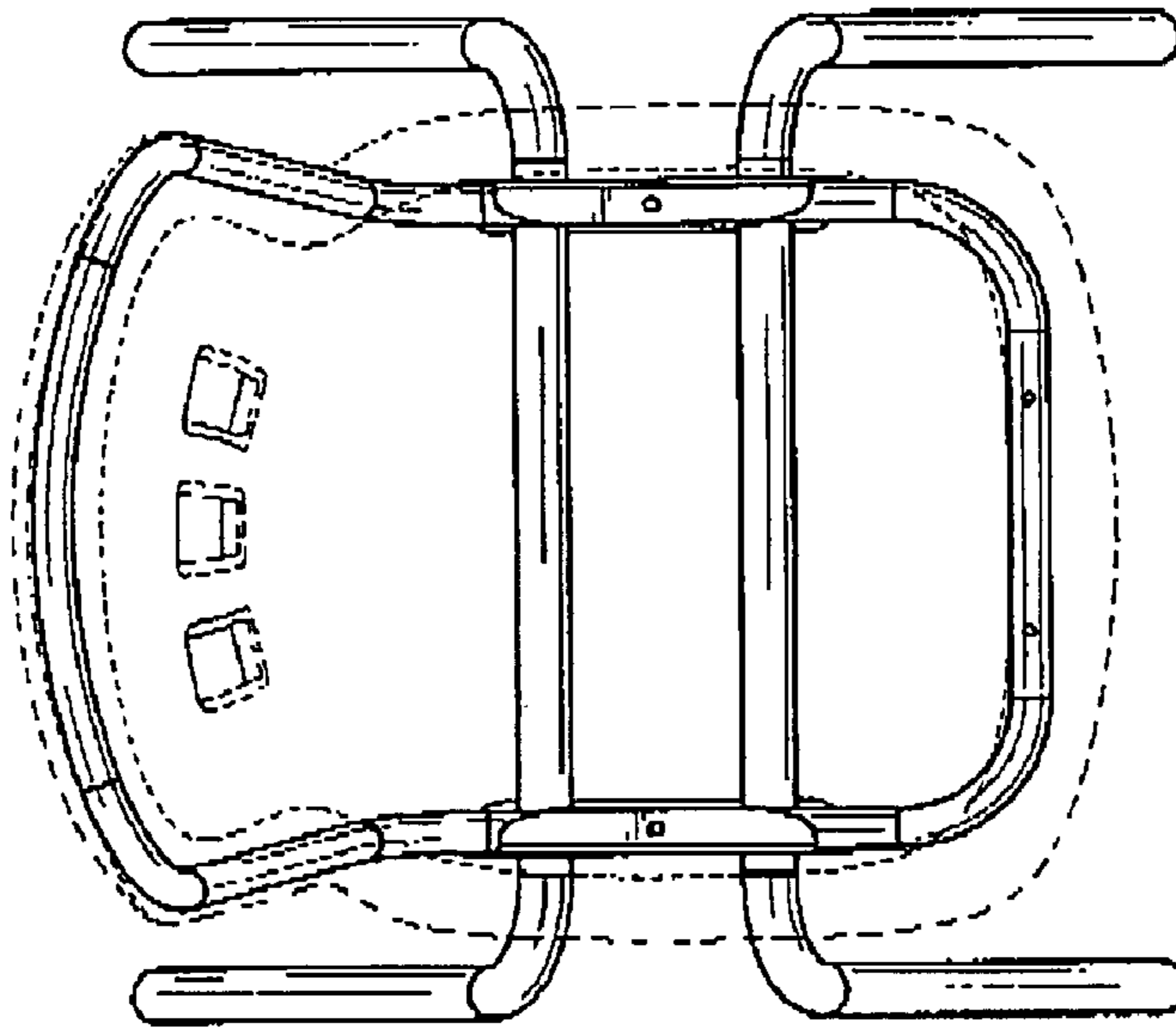


FIG. A

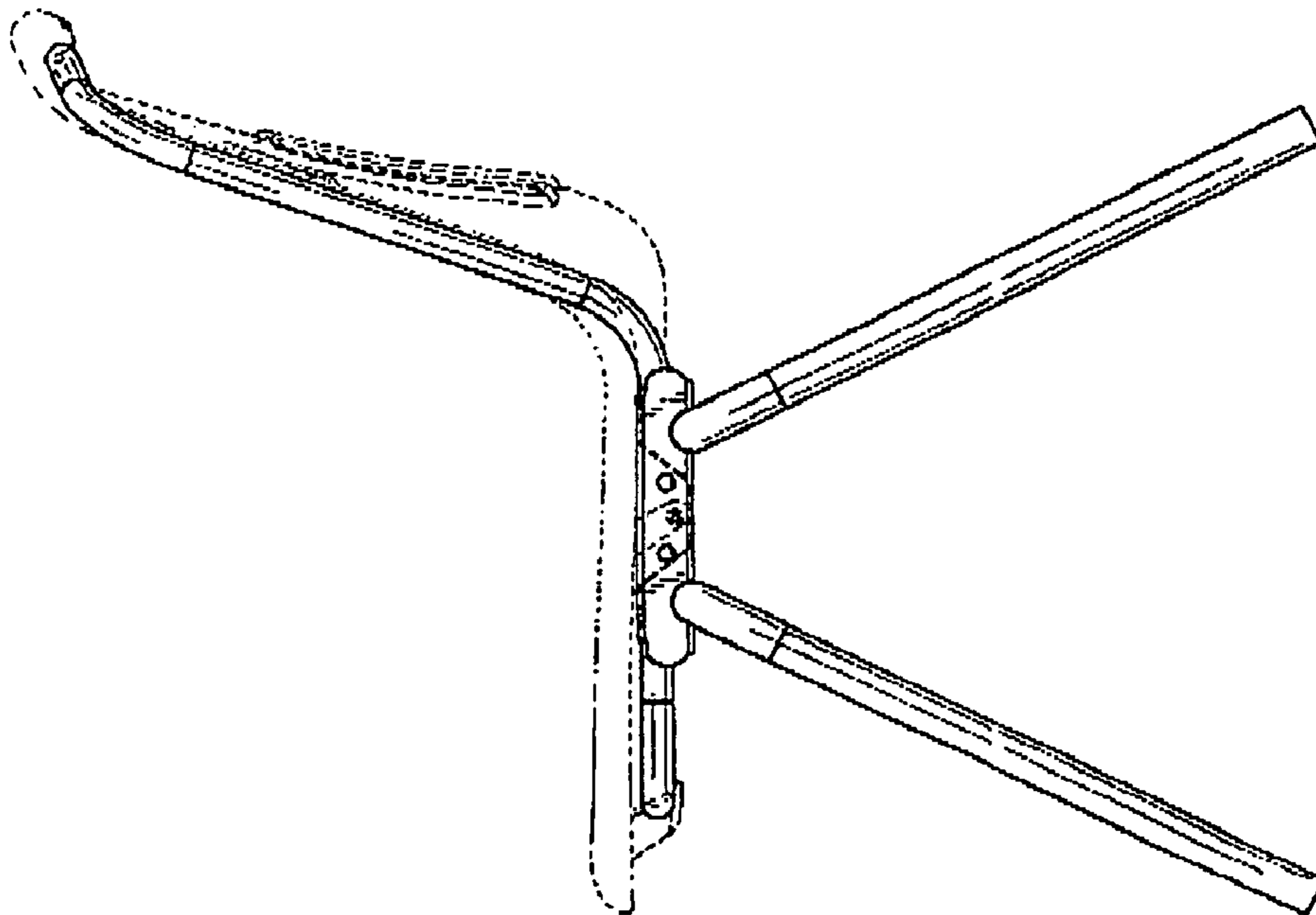


FIG. B

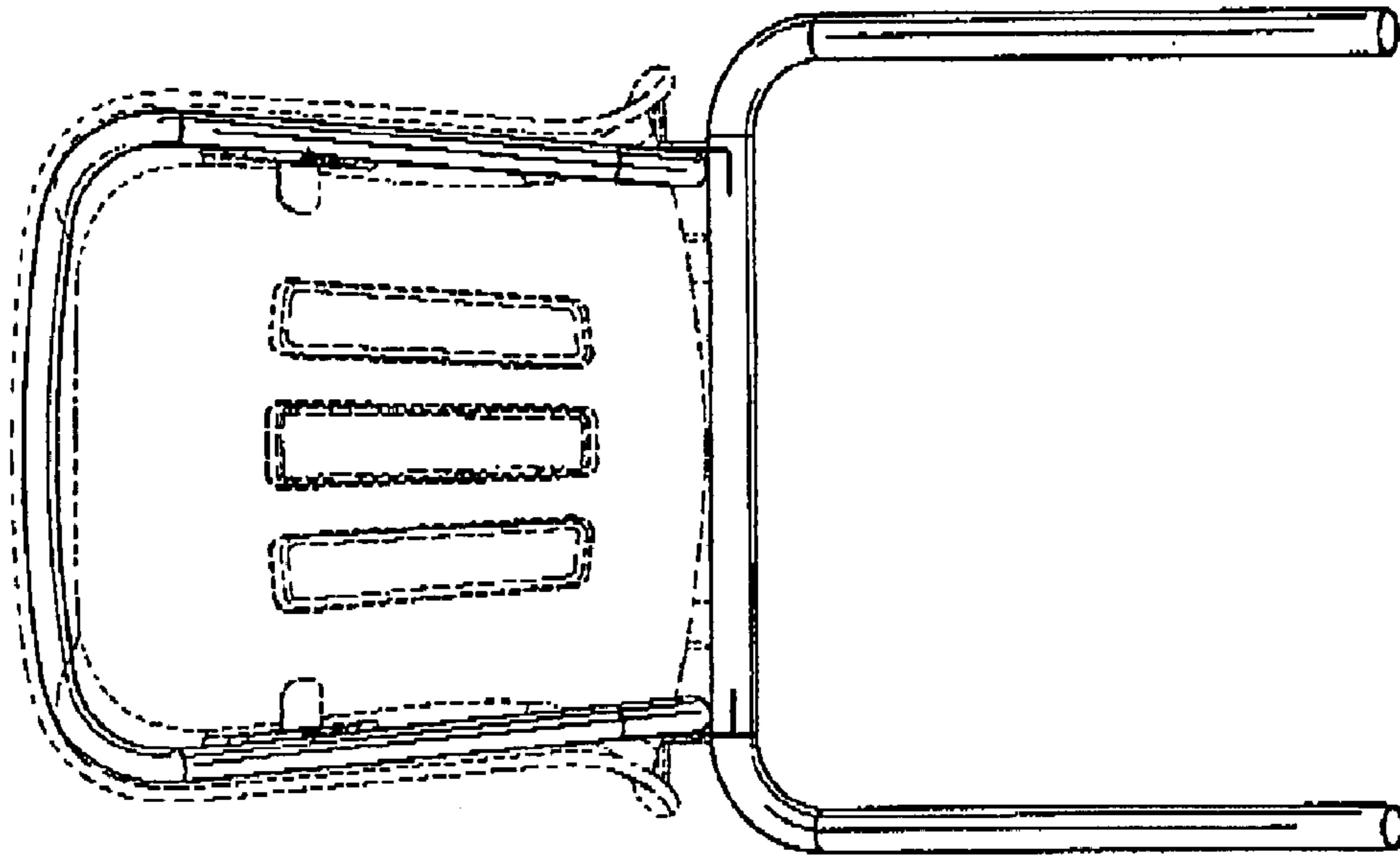


Fig. 10

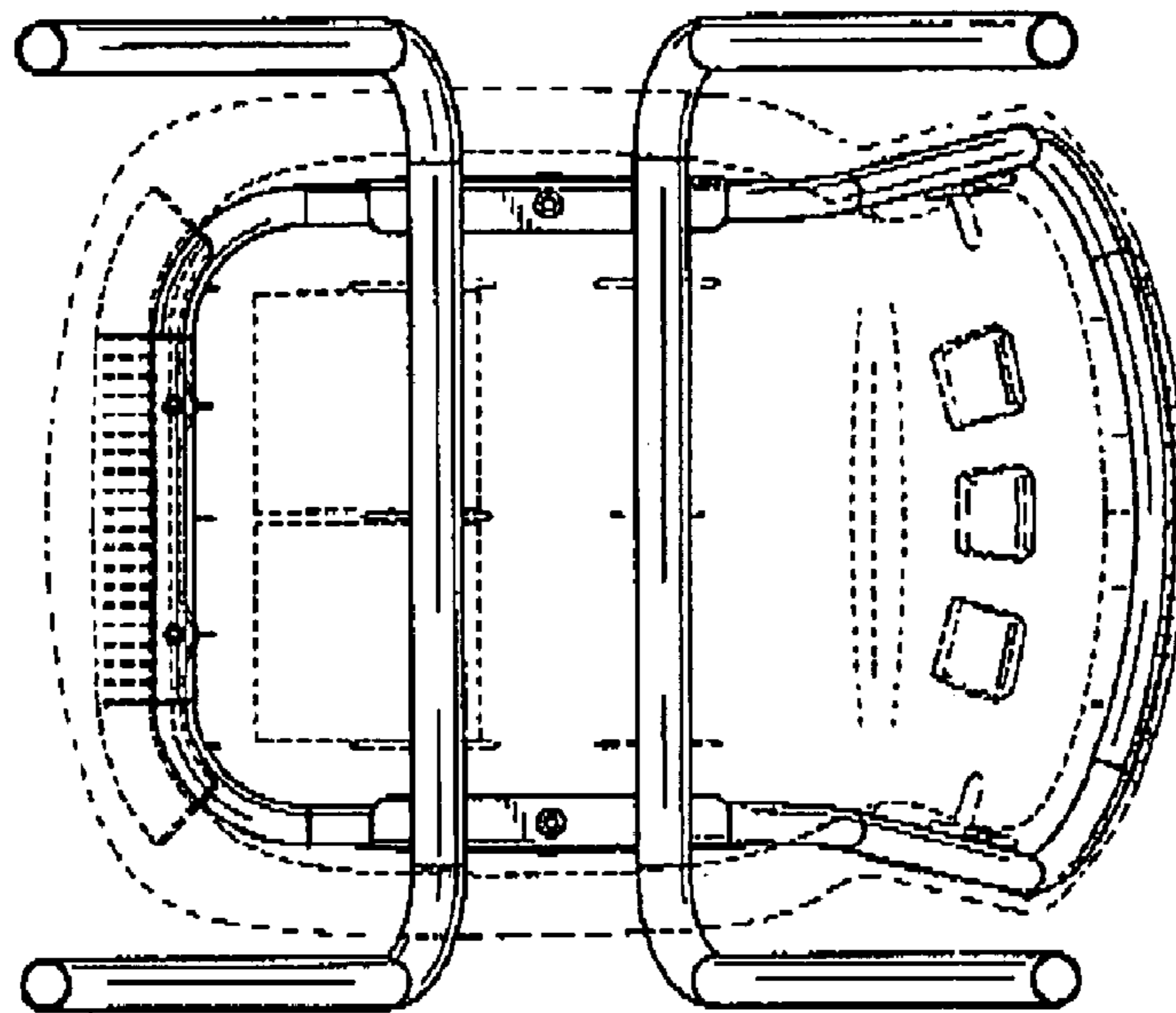


Fig. 15



