

US00D547978S

(12) **United States Design Patent** (10) **Patent No.:** **US D547,978 S**  
**Machael et al.** (45) **Date of Patent:** **\*\* Aug. 7, 2007**

(54) **CHAIR BACK UPRIGHT**

6,588,842 B2 7/2003 Stumpf et al.  
6,609,755 B2 8/2003 Koepke et al.  
D479,928 S \* 9/2003 Klaesener et al. .... D6/500

(75) Inventors: **Jay R. Machael**, Muscatine, IA (US);  
**John Koch**, Muscatine, IA (US);  
**Marcus C. Koepke**, Indianapolis, IA (US)

(Continued)

**FOREIGN PATENT DOCUMENTS**

(73) Assignee: **HNI Corporation**, Muscatine, IA (US)

JP 2004/049658 2/2004  
JP 2004/049691 2/2004

(\*\*) Term: **14 Years**

*Primary Examiner*—Caron D. Veynar  
*Assistant Examiner*—Abraham Bahta  
(74) *Attorney, Agent, or Firm*—Faegre & Benson, LLP

(21) Appl. No.: **29/256,808**

(22) Filed: **Mar. 24, 2006**

(57) **CLAIM**

(51) **LOC (8) Cl.** ..... **06-06**

The ornamental design for a chair back upright, as shown and described.

(52) **U.S. Cl.** ..... **D6/500**

(58) **Field of Classification Search** ..... D6/500–502,  
D6/334–335, 364, 366, 367, 499; 297/353,  
297/301.1, 451.1, 452.19, 452.18, 452.2,  
297/452.3; 248/200

**DESCRIPTION**

See application file for complete search history.

FIG. 1 is a perspective view of a chair back upright embodying our design;

(56) **References Cited**

**U.S. PATENT DOCUMENTS**

FIG. 2 is a front view of a chair back upright embodying our design;

- D239,492 S \* 4/1976 Schultz ..... D6/501
- D274,869 S 7/1984 Aronowitz et al.
- D279,153 S 6/1985 Aronowitz et al.
- D279,443 S \* 7/1985 Diffrient ..... D6/501
- D289,119 S \* 4/1987 Opsvik ..... D6/500
- 4,749,230 A \* 6/1988 Tornero ..... 297/353
- D320,507 S 10/1991 Shields
- D348,570 S 7/1994 Scheper et al.
- D354,631 S 1/1995 Orlandini et al.
- 5,755,488 A 5/1998 Beda et al.
- 5,772,282 A 6/1998 Stumpf et al.
- D402,481 S 12/1998 Neil
- D403,518 S 1/1999 Wilson
- 6,035,901 A 3/2000 Stumpf et al.
- D429,926 S \* 8/2000 Cao ..... D6/500
- D450,209 S \* 11/2001 Cao ..... D6/500
- D462,549 S 9/2002 Chu
- 6,523,898 B1 2/2003 Ball et al.
- 6,572,190 B2 6/2003 Koepke et al.

FIG. 3 is a left side view of a chair back upright embodying our design;

FIG. 4 is a rear view of a chair back upright embodying our design;

FIG. 5 is a right side view of a chair back upright embodying our design;

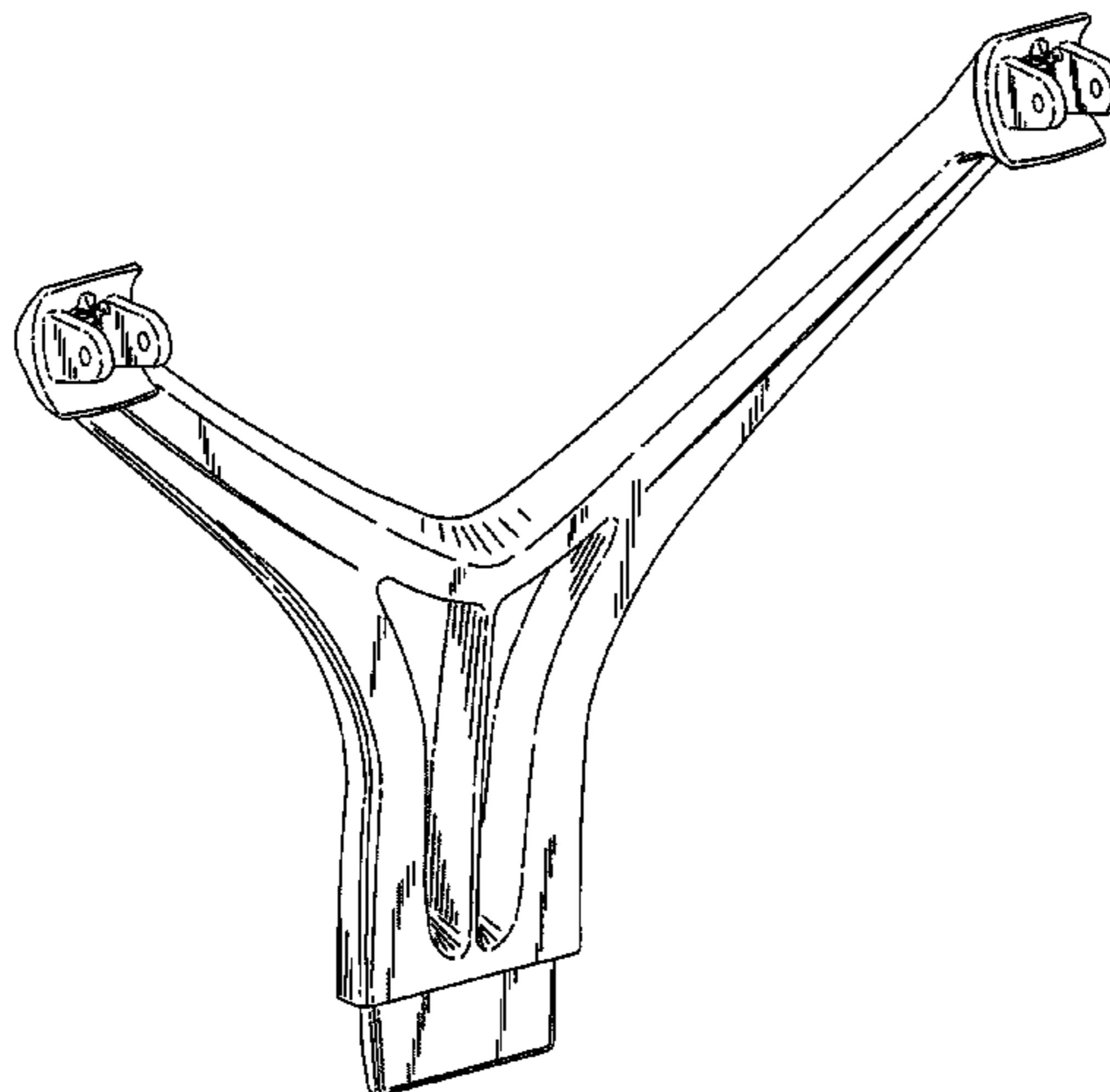
FIG. 6 is a top view of a chair back upright embodying our design;

FIG. 7 is a bottom view of a back upright chair embodying our design; and,

FIG. 8 is a perspective view of the chair back upright embodying our design.

The broken lines showing an outline of a chair and certain features of the chair are for illustrative purposes only, and form no part of the claimed design.

**1 Claim, 8 Drawing Sheets**



# US D547,978 S

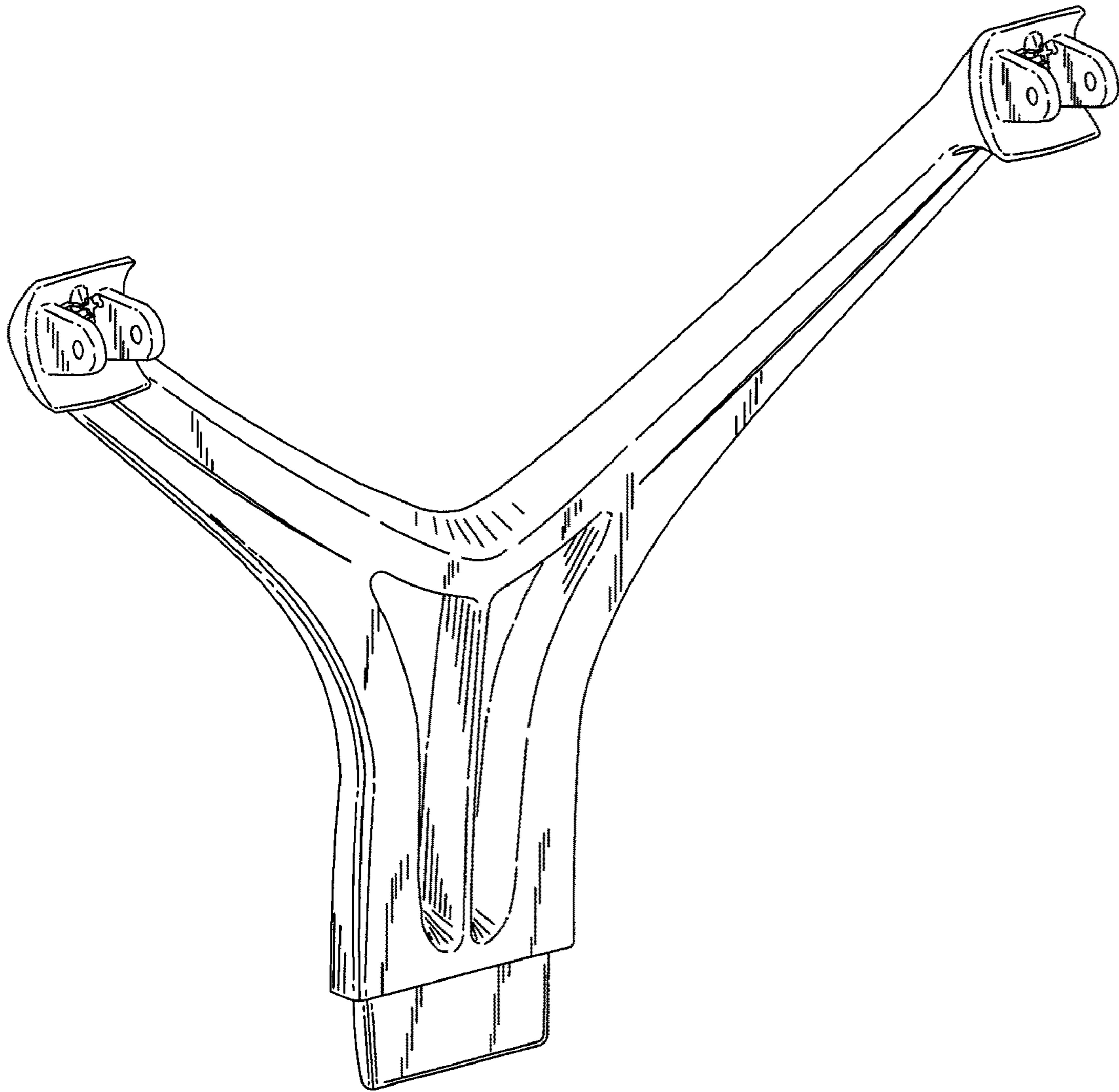
Page 2

---

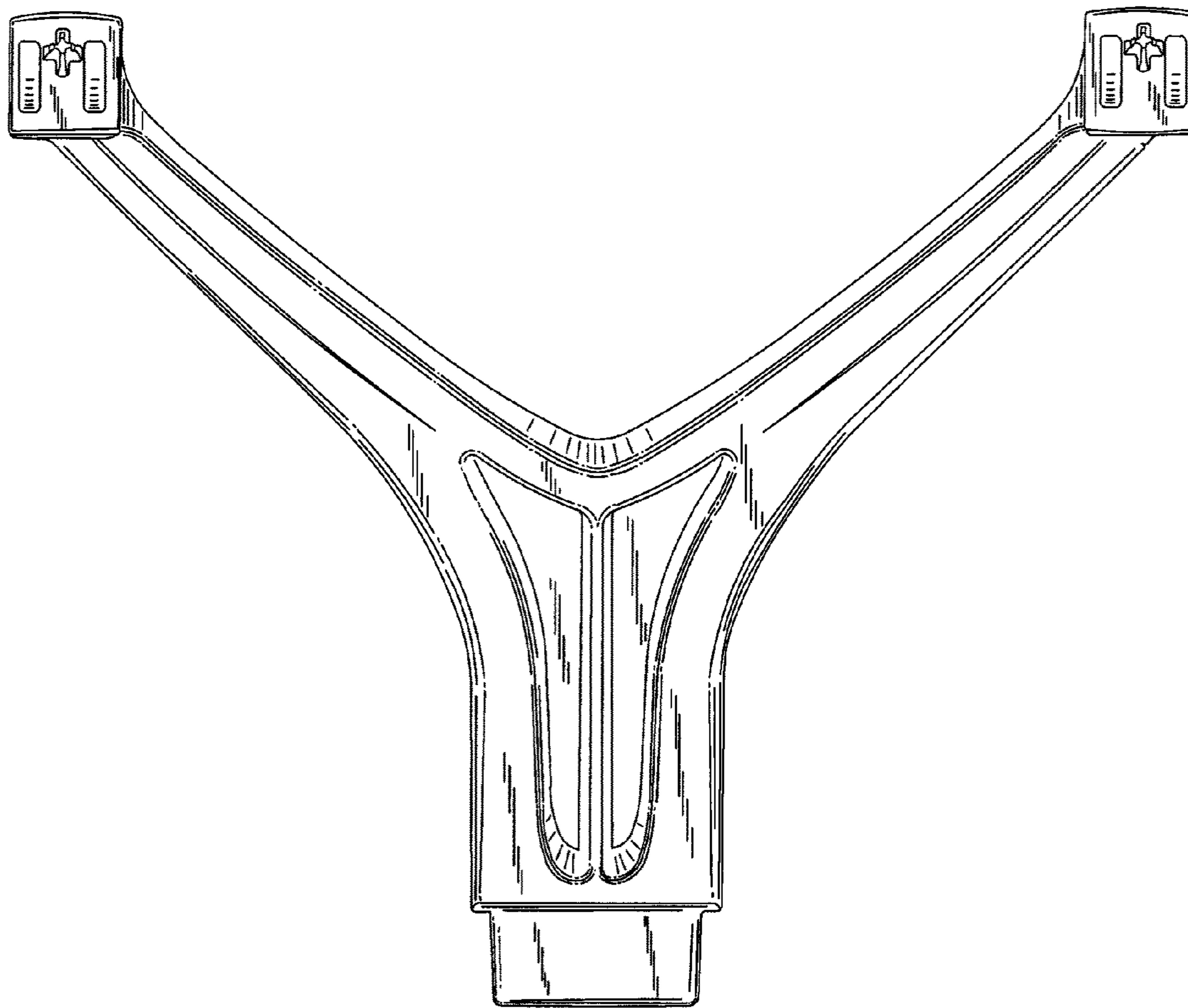
## U.S. PATENT DOCUMENTS

6,688,692 B2	2/2004	Phillips et al.	6,981,743 B2	1/2006	Edwards et al.
6,722,741 B2	4/2004	Stumpf et al.	6,991,291 B2	1/2006	Knoblock et al.
6,729,691 B2	5/2004	Koepke et al.	7,097,249 B2	8/2006	Igarashi et al.
6,935,689 B2	8/2005	Horiki et al.	2004/0017102 A1	1/2004	Igarashi et al.
6,959,965 B2	11/2005	Diffrient	2006/0238009 A1	10/2006	Igarashi et al.
6,966,604 B2	11/2005	Stumpf et al.			

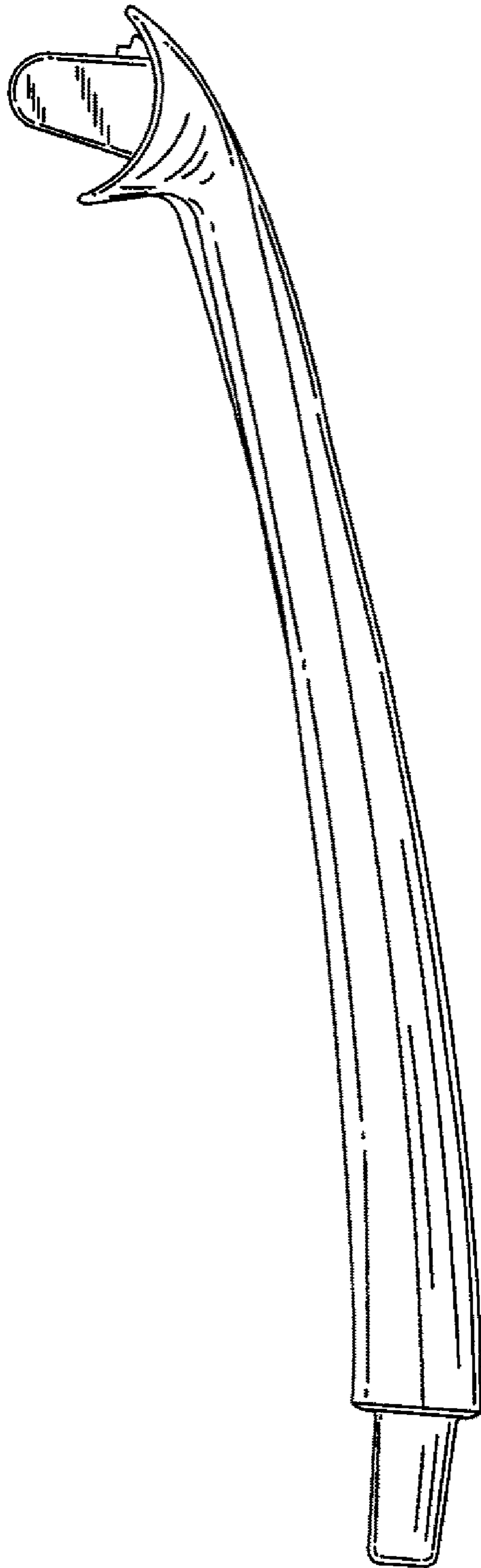
\* cited by examiner



*Fig. 1*

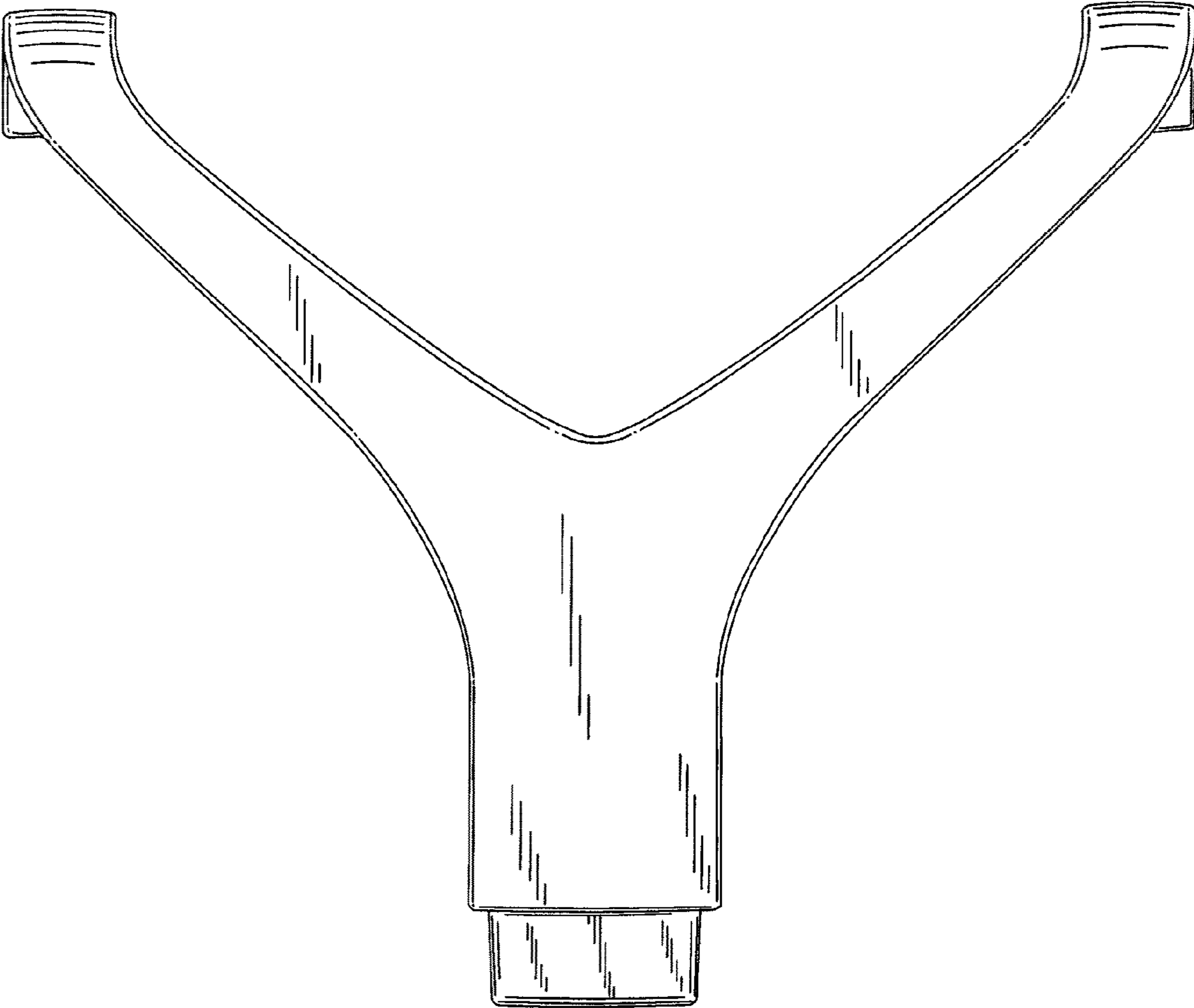


*Fig. 2*

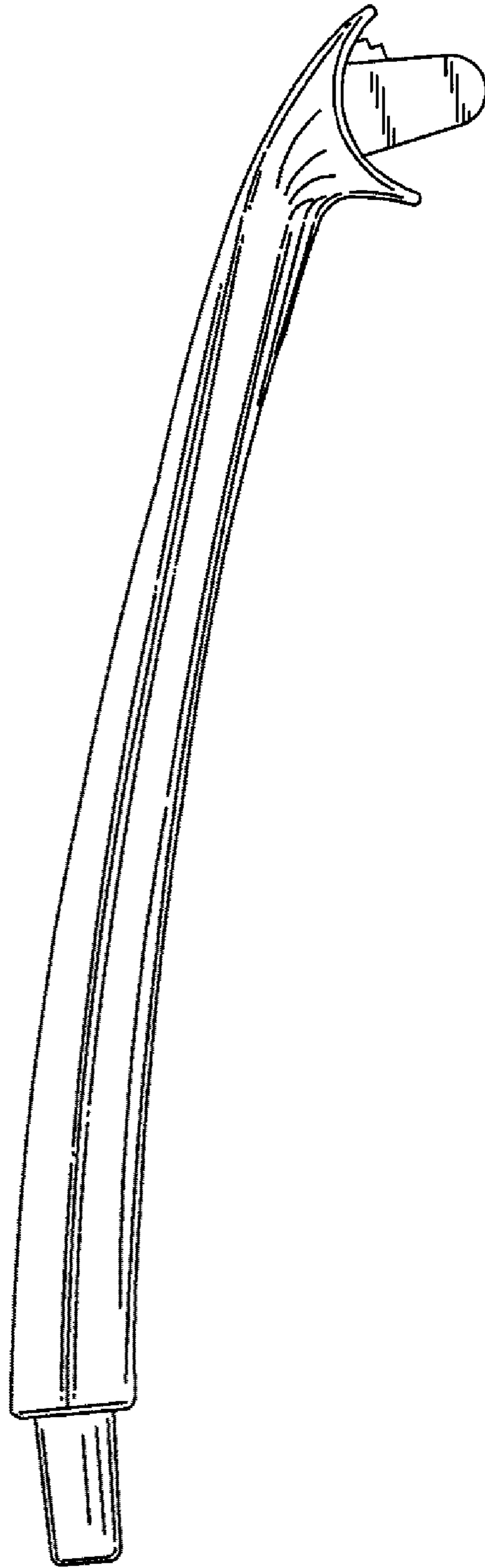


*Fig. 3*

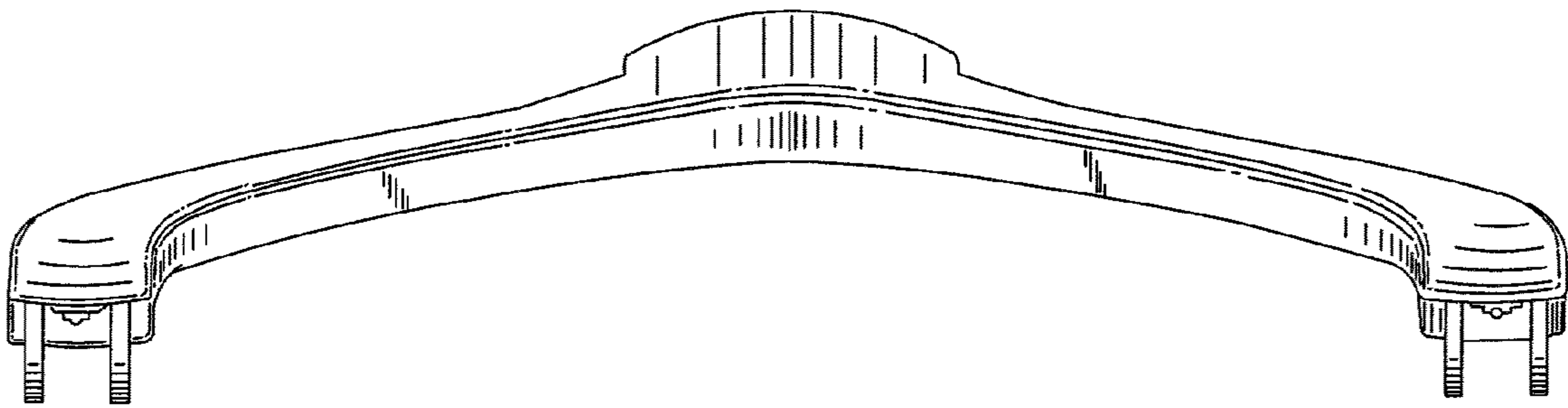




*Fig. 4*

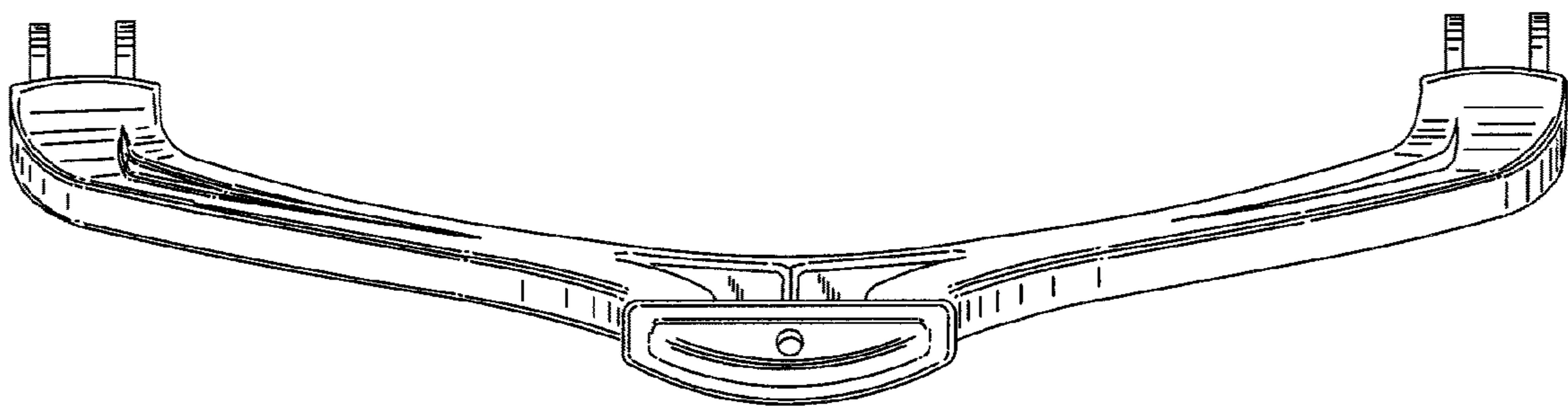


*Fig. 5*

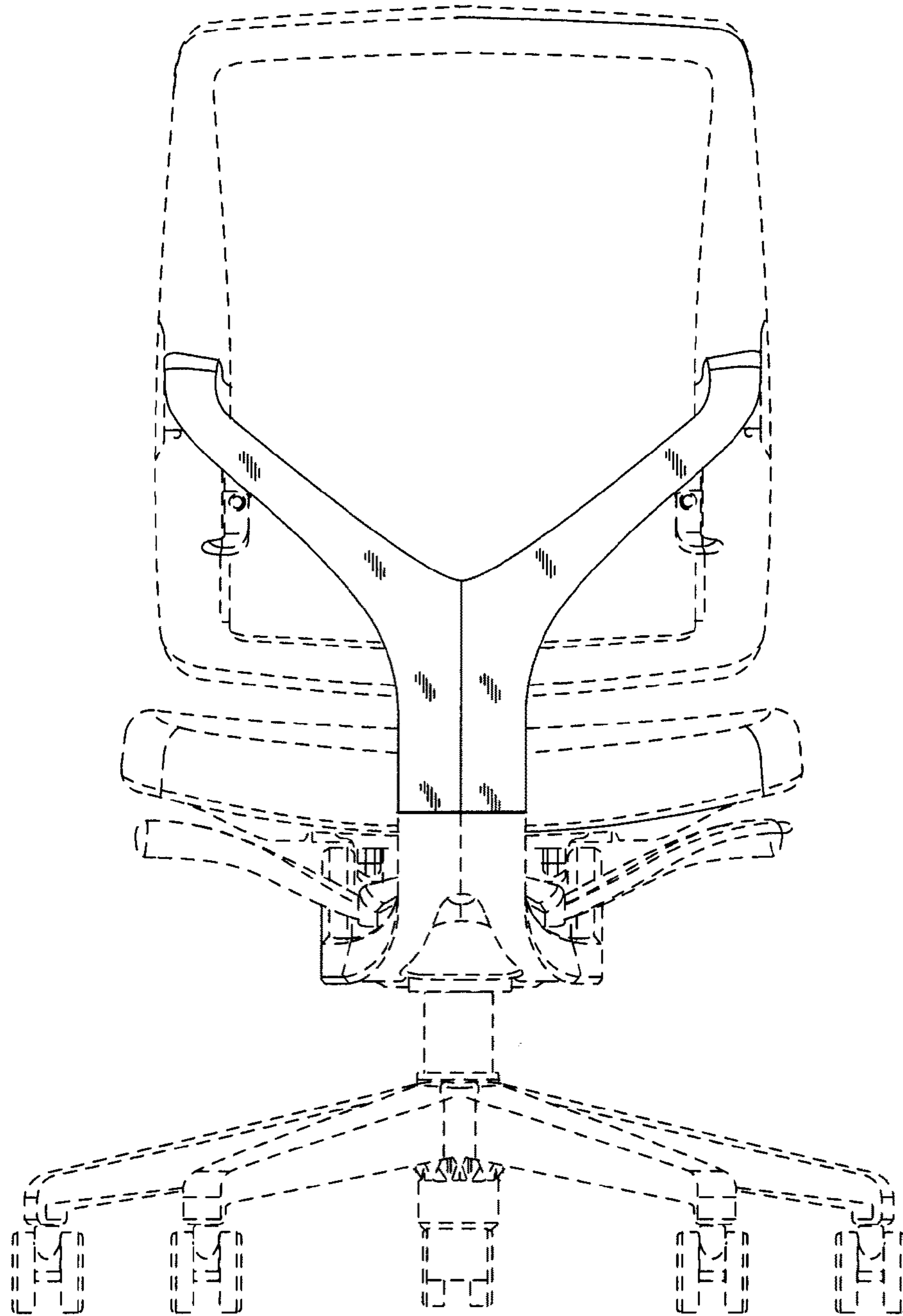


*Fig. 6*





*Fig. 7*



*FIG. 8*