

US00D547977S

(12) **United States Design Patent**
Torrente Bonatti et al.

(10) **Patent No.:** **US D547,977 S**

(45) **Date of Patent:** **** Aug. 7, 2007**

(54) **FURNITURE JOINT**

(75) Inventors: **Carlos Torrente Bonatti**, Barcelona (ES); **Pau Roviras Sampere**, Barcelona (ES)

(73) Assignee: **Estoli, S A**, Barcelona (ES)

(**) Term: **14 Years**

(21) Appl. No.: **29/243,089**

(22) Filed: **Nov. 21, 2005**

(30) **Foreign Application Priority Data**

May 24, 2005 (EM) 000349097-0001

(51) **LOC (8) Cl.** **06-06**

(52) **U.S. Cl.** **D6/491**

(58) **Field of Classification Search** 52/650.1, 52/650.2, 656.9, 655.1, 737.6; 108/60, 64; 211/182, 189, 195; 312/351.3; 403/170-173, 403/176, 298, 391, 292, 294, 295; 428/587, 428/598, 599; 446/111-115, 119, 122; D6/477-479, D6/491, 499, 509; D1/125, 126, 199; D8/354, D8/381, 403; D21/470, 479, 484, 500, 504, D21/505; D25/119-121, 123, 125; D30/160
See application file for complete search history.

(56) **References Cited**

U.S. PATENT DOCUMENTS

1,977,715 A * 10/1934 Coleman 52/731.7
2,015,433 A * 9/1935 Meyers 52/153
D143,658 S * 1/1946 Hedrick D6/509
2,550,945 A * 5/1951 Steinhage et al. 52/604
2,585,523 A * 2/1952 Wellman 126/298

2,716,827 A * 9/1955 Mixer 40/596
D182,784 S * 5/1958 Bancroft D25/121
3,087,043 A * 4/1963 Hofer 219/69.15
3,140,385 A * 7/1964 Johnston 219/137 R
3,229,398 A * 1/1966 Kopatich 40/618
3,746,827 A * 7/1973 Martin et al. 428/598
D230,759 S * 3/1974 Hummel D21/484
4,132,020 A * 1/1979 Nidelkoff 40/618
D303,844 S * 10/1989 Hodge D25/121
D311,979 S * 11/1990 Wentzel D25/122
5,553,856 A * 9/1996 Barnard 273/156
D376,465 S * 12/1996 Haro et al. D1/114
D378,047 S * 2/1997 Chudoba D8/354
6,333,108 B1 * 12/2001 Wilkes et al. 428/393
6,669,396 B2 * 12/2003 Mattle 403/294
D492,836 S * 7/2004 Lawrenson D1/199

* cited by examiner

Primary Examiner—Cathron C. Brooks

(74) *Attorney, Agent, or Firm*—Pearl Cohen Zedek Latzer, LLP

(57) **CLAIM**

The ornamental design for a furniture joint, as shown and described.

DESCRIPTION

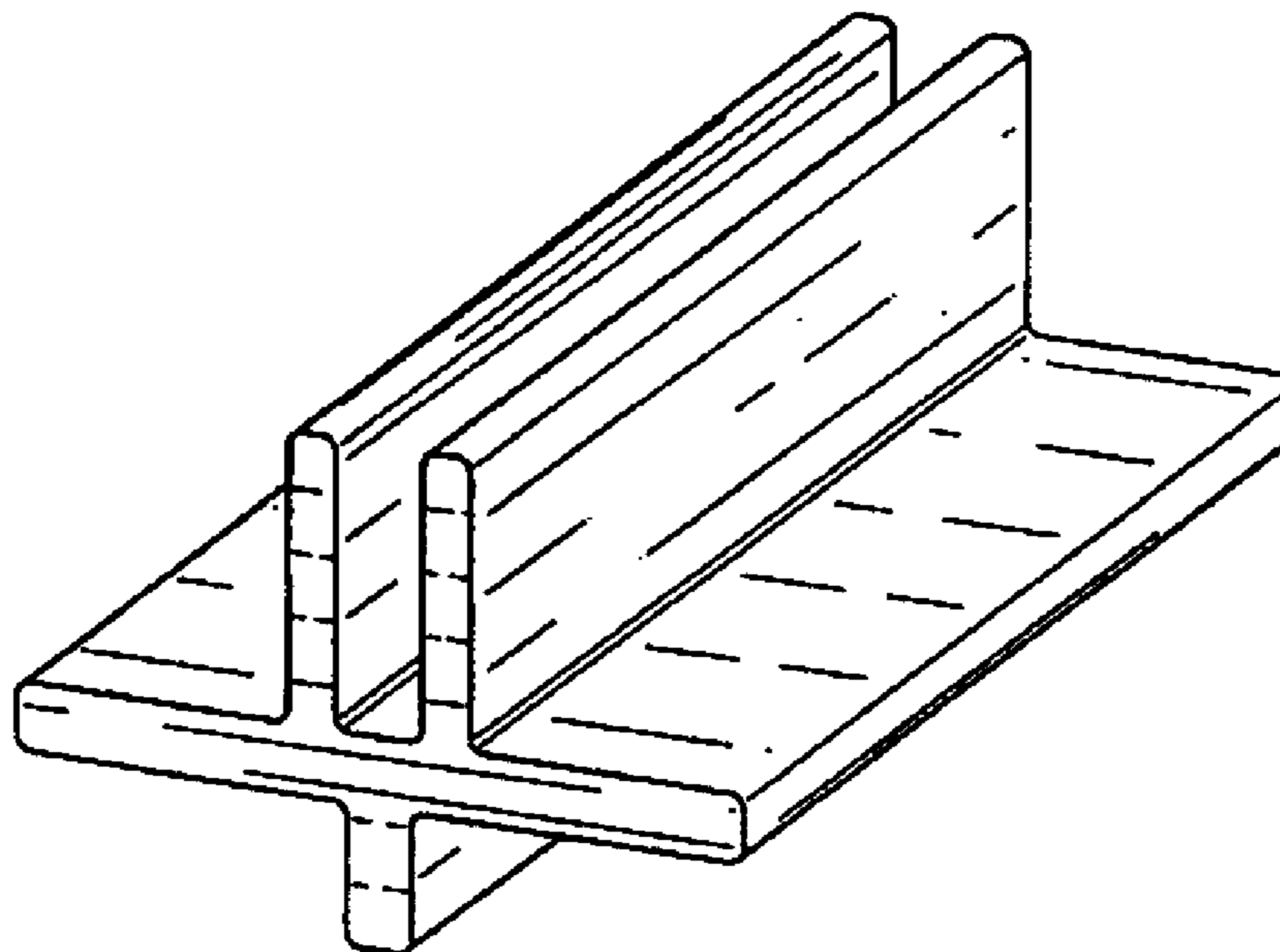
FIG. 1 is a front view of the section, the rear view being identical;

FIG. 2 is a side view of the section, the other side views being identical;

FIG. 3 is a top view of the section; and,

FIG. 4 is a perspective view of the section.

1 Claim, 1 Drawing Sheet



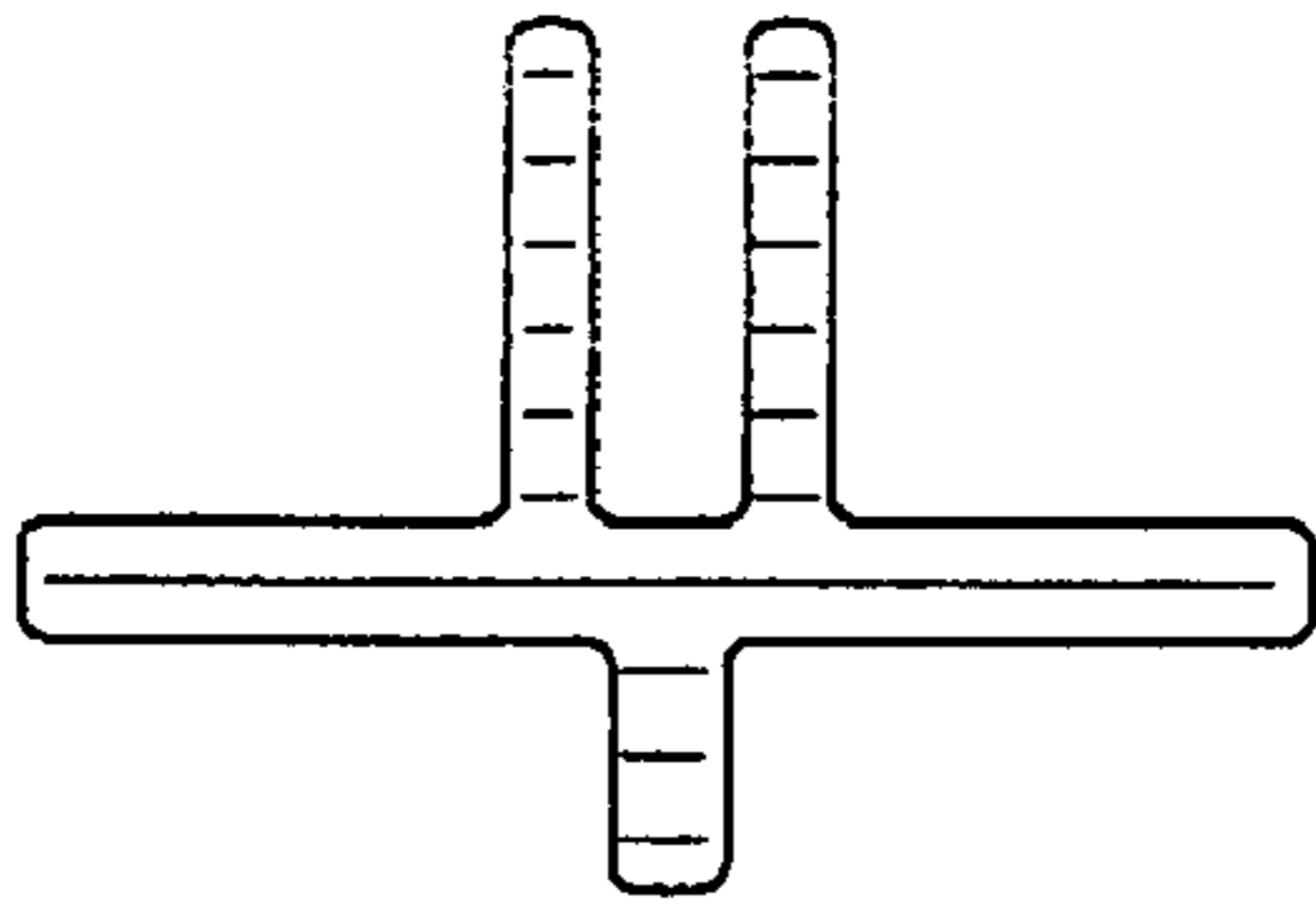


FIG. 1

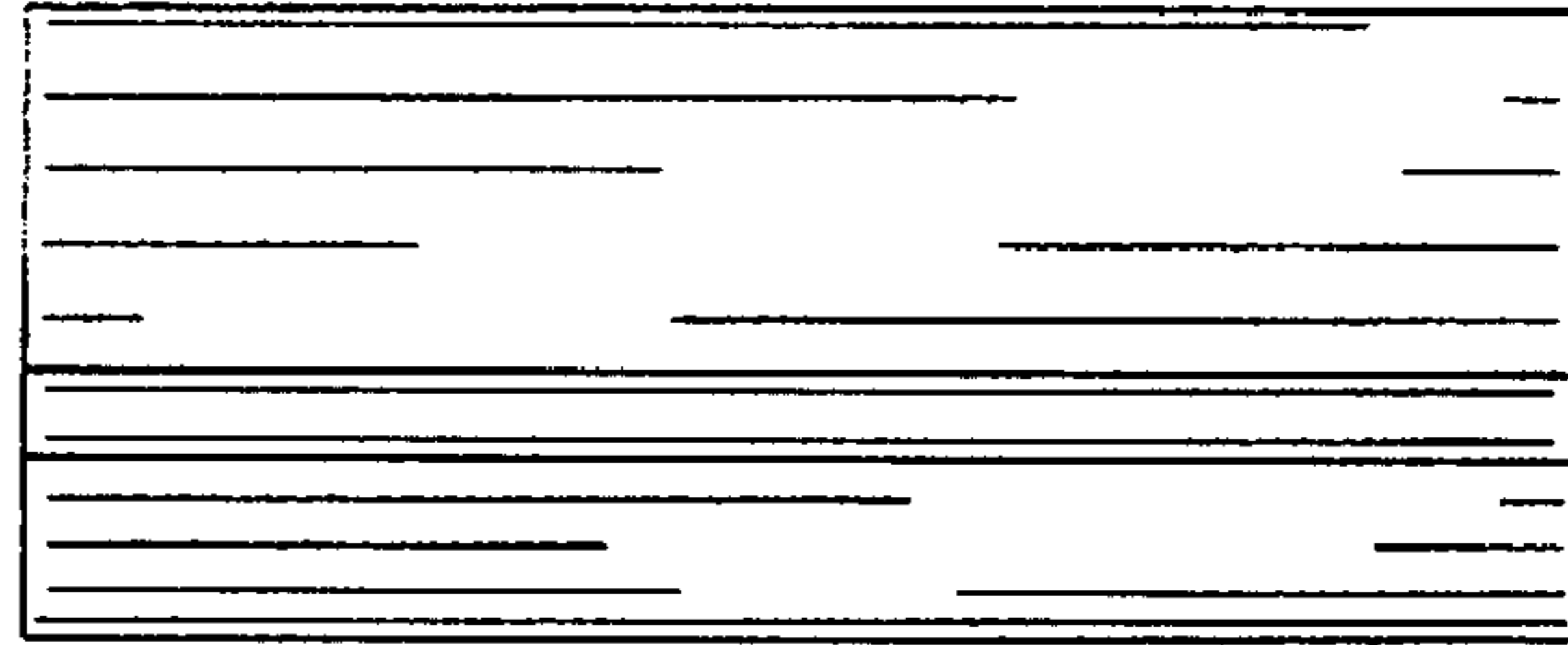


FIG. 2

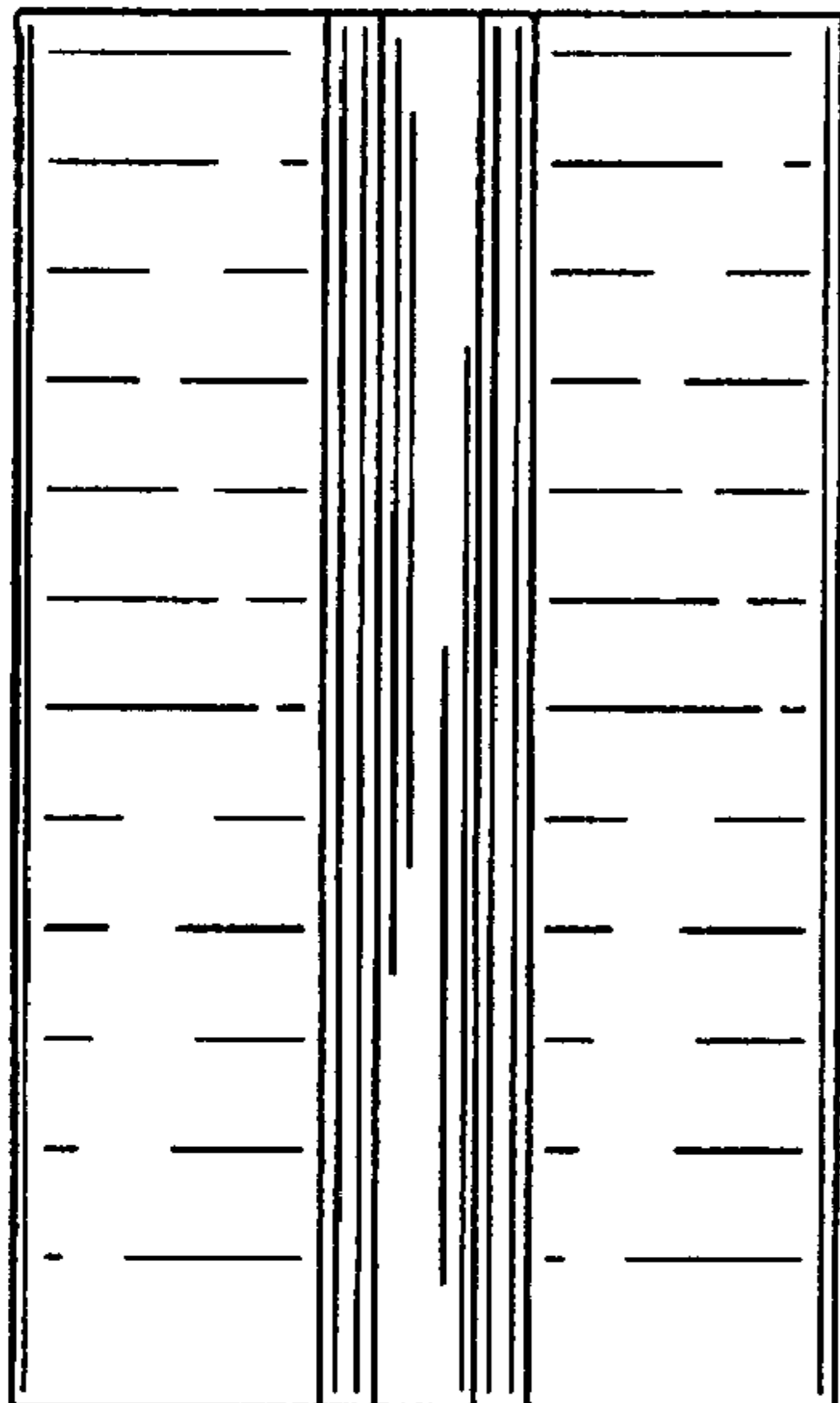


FIG. 3

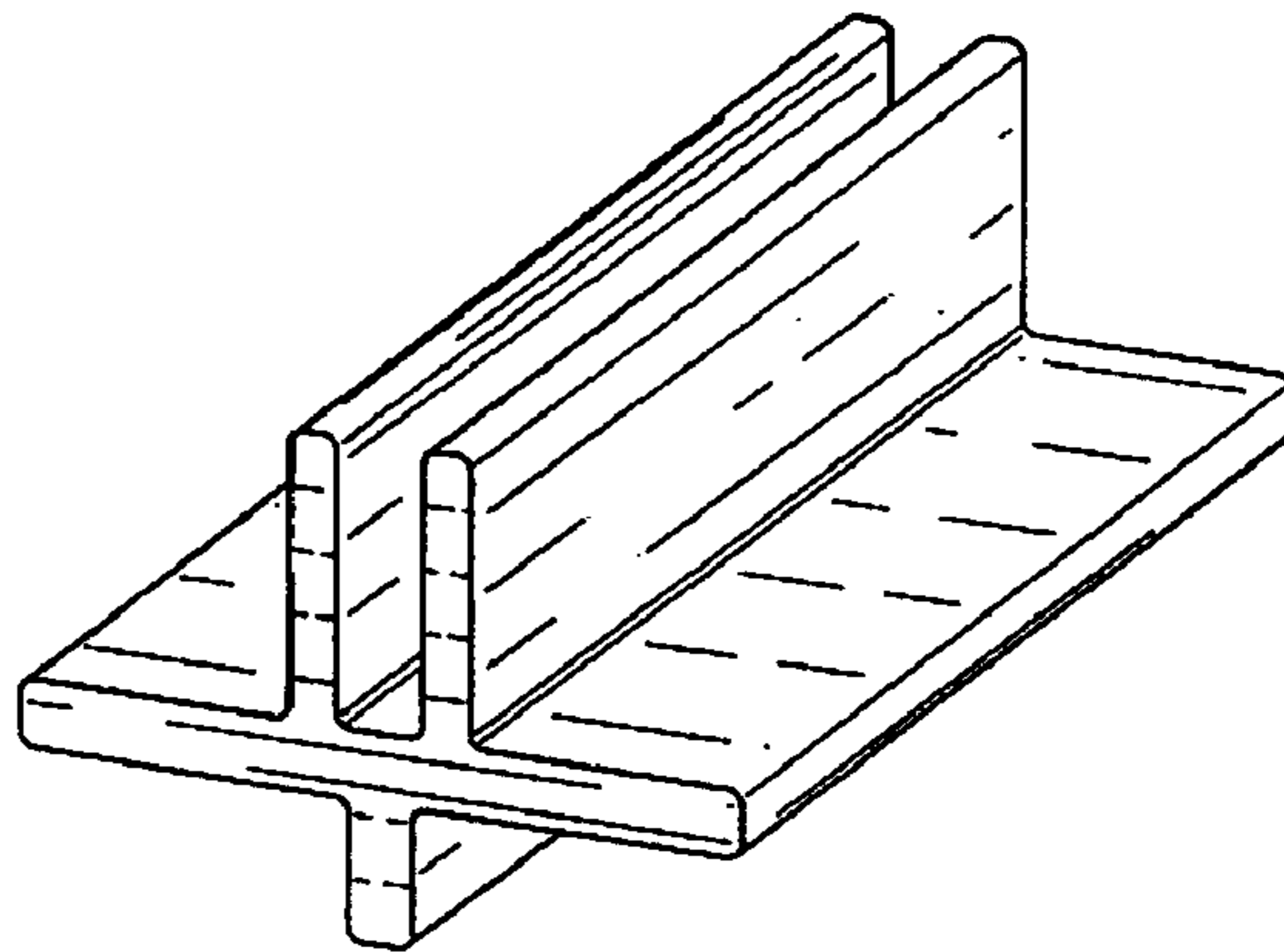


FIG. 4