

US00D547976S

(12) **United States Design Patent**
Torrente Bonatti et al.

(10) **Patent No.:** **US D547,976 S**

(45) **Date of Patent:** **** Aug. 7, 2007**

(54) **FURNITURE JOINT**

(75) Inventors: **Carlos Torrente Bonatti**, Sabadell
(ES); **Pau Roviras Sampere**, Sabadell
(ES)

(73) Assignee: **Estoli, S A**, Barcelona (ES)

(**) Term: **14 Years**

(21) Appl. No.: **29/243,088**

(22) Filed: **Nov. 21, 2005**

(30) **Foreign Application Priority Data**

May 24, 2005 (EM) 000349097-0002

(51) **LOC (8) Cl.** **06-06**

(52) **U.S. Cl.** **D6/491**

(58) **Field of Classification Search** D6/477-479,
D6/491, 499, 509; D1/125, 126, 199; D8/354,
D8/381, 403; D21/470, 479, 484, 500, 504,
D21/505; D25/119-121, 123, 125; D30/160;
52/655.1, 737.6, 650.1, 650.2, 656.9; 108/60,
108/64; 211/182, 189, 195; 312/351.3;
403/170-173, 176, 298, 391, 292, 294, 295;
428/587, 598, 599; 446/111-115, 119, 122
See application file for complete search history.

(56) **References Cited**

U.S. PATENT DOCUMENTS

1,586,053 A * 5/1926 Snyder 52/737.6
3,528,559 A * 9/1970 Miller 211/195
3,685,465 A * 8/1972 Haumer 108/60

D237,267 S * 10/1975 Edwards D25/123
3,985,461 A * 10/1976 Gebhard 403/292
3,998,002 A * 12/1976 Nathanson 446/115
4,021,127 A * 5/1977 Gasparro et al. 403/171
4,223,966 A * 9/1980 Winters 312/140
4,270,302 A * 6/1981 Dandia 446/105
4,493,425 A * 1/1985 Yoshida 211/189
4,516,376 A * 5/1985 King 52/655.1
4,577,449 A * 3/1986 Celli 52/737.2
D283,354 S * 4/1986 Bancroft D25/119
4,969,568 A * 11/1990 Yoshida 220/4.33
D379,299 S * 5/1997 Fitzgibbons D8/402
5,746,333 A * 5/1998 Wuertemberger 211/189
6,015,149 A * 1/2000 Burk 273/148 A
6,802,169 B2 * 10/2004 Simmons 52/648.1

* cited by examiner

Primary Examiner—Cathron C. Brooks

(74) *Attorney, Agent, or Firm*—Pearl Cohen Zedek Latzer,
LLP

(57) **CLAIM**

The ornamental design for a furniture joint, as shown and
described.

DESCRIPTION

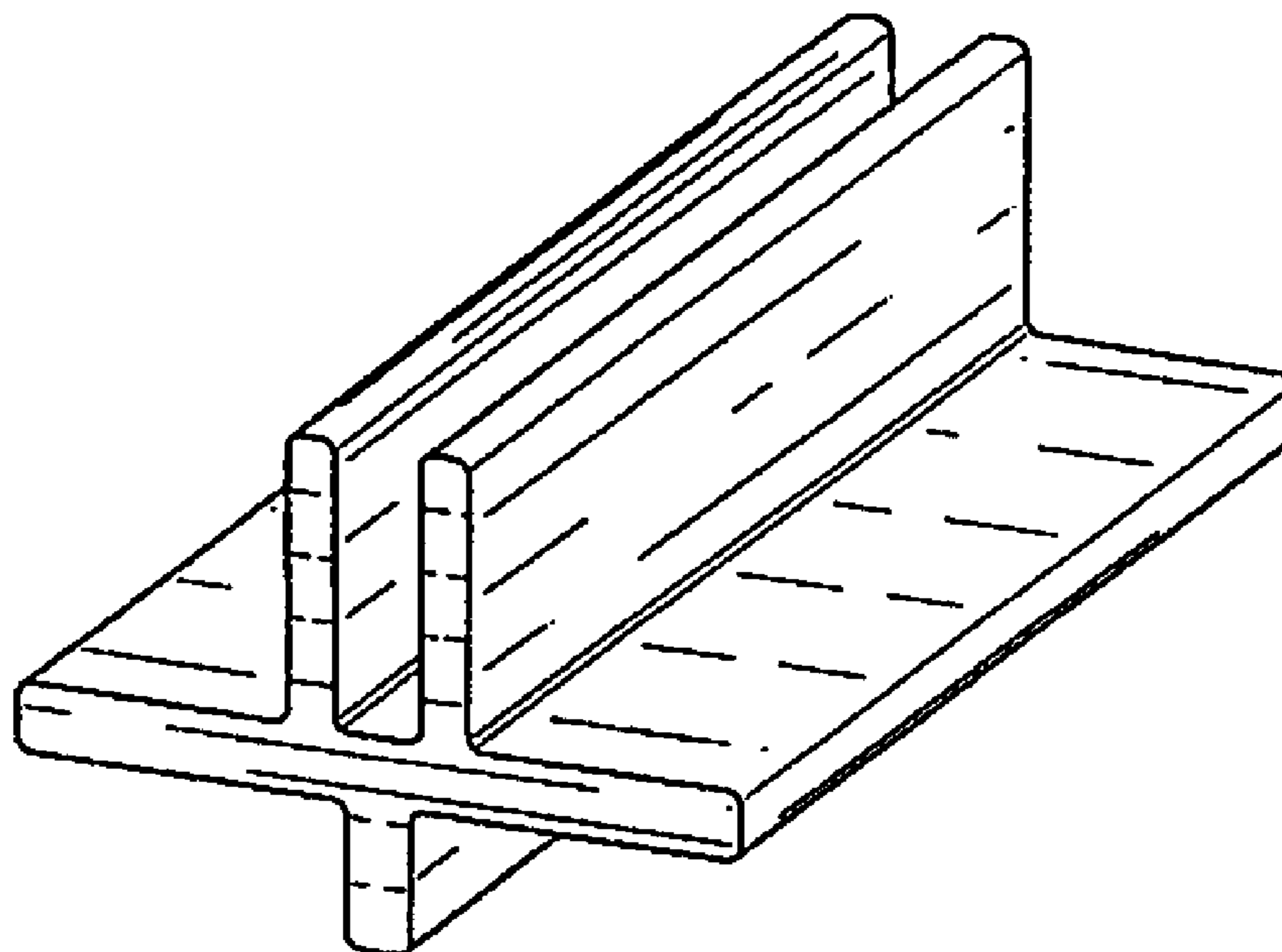
FIG. 1 is a front view of the section, the rear view being
identical;

FIG. 2 is a side view of the section, the other side views
being identical;

FIG. 3 is a top view of the section; and,

FIG. 4 is a perspective view of the section.

1 Claim, 1 Drawing Sheet



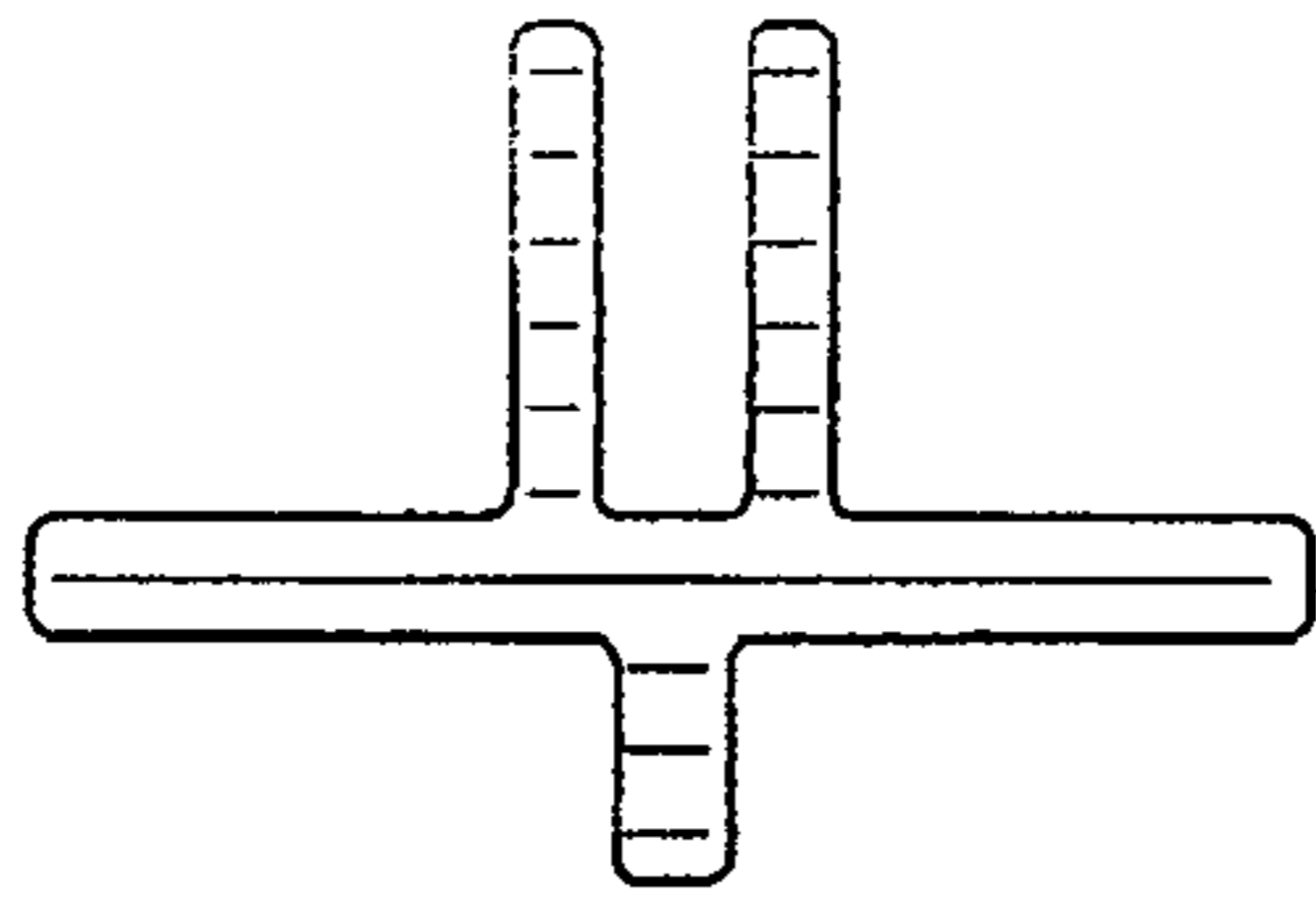


FIG. 1

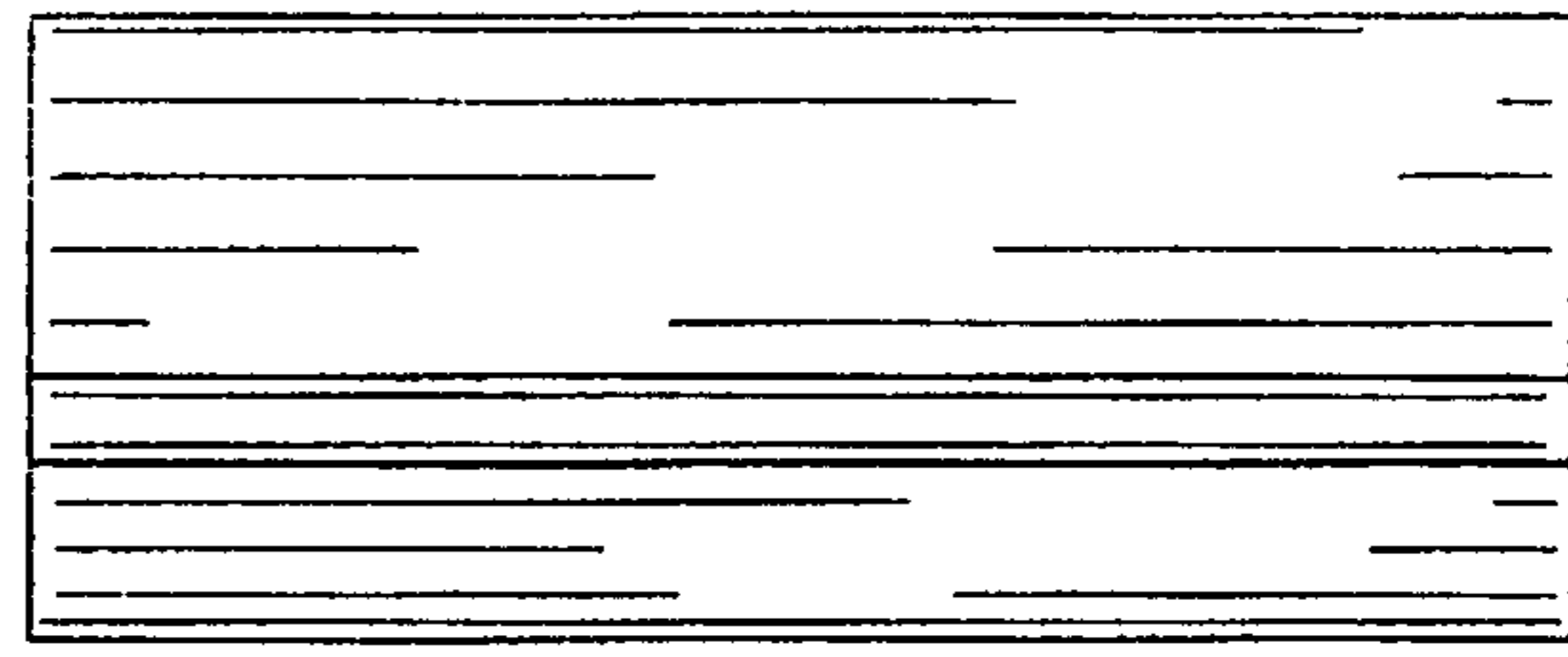


FIG. 2

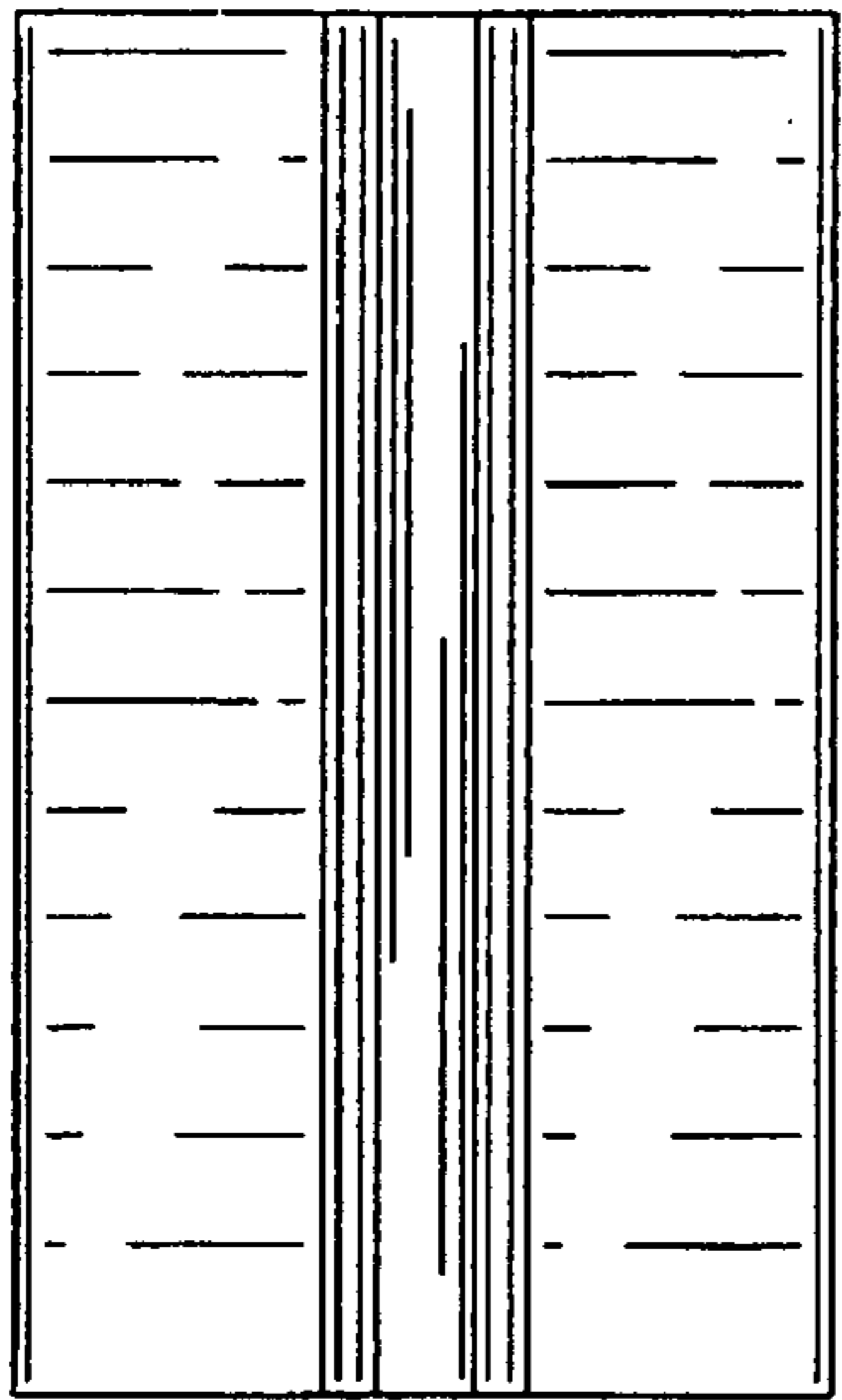


FIG. 3

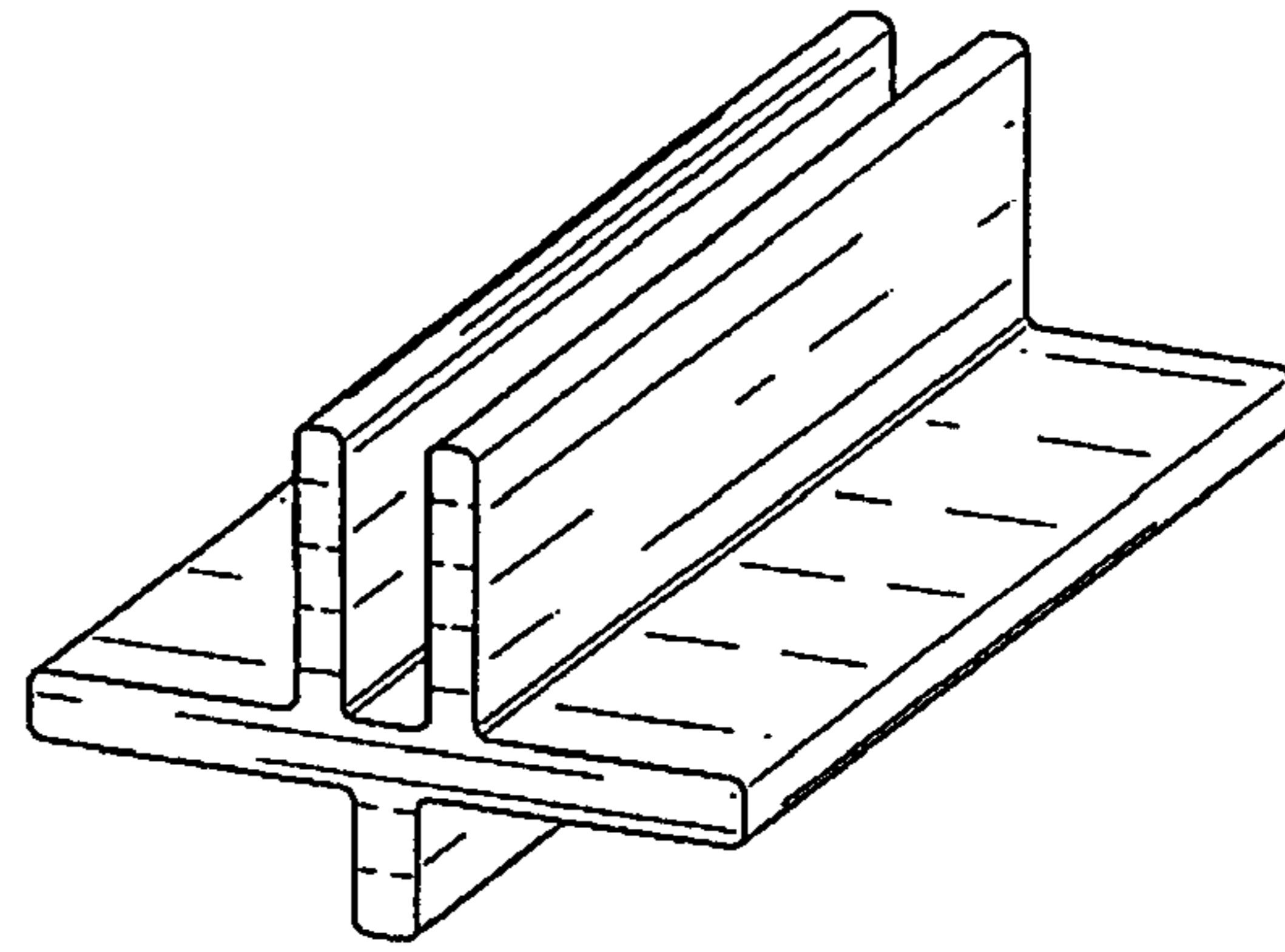


FIG. 4