



US00D547974S

(12) **United States Design Patent** (10) **Patent No.:** **US D547,974 S**
Daniel (45) **Date of Patent:** **** Aug. 7, 2007**

(54) **UTILITY TABLE**

(76) Inventor: **Robert Daniel**, 3884 Fredonia Dr., #D,
Los Angeles, CA (US) 90068

(**) Term: **14 Years**

(21) Appl. No.: **29/231,218**

(22) Filed: **Jun. 1, 2005**

(51) **LOC (8) Cl.** **06-03**

(52) **U.S. Cl.** **D6/480; D6/422; D6/337**

(58) **Field of Classification Search** D6/480-489,
D6/495-499, 429, 337, 477, 479; 108/50.01,
108/50.02, 150, 153.1, 155, 156, 157.1, 161,
108/92; 248/188, 188.1

See application file for complete search history.

(56) **References Cited**

U.S. PATENT DOCUMENTS

D137,684 S *	4/1944	Kramer	D6/480
D157,448 S *	2/1950	Sternkopf	D6/429
D159,564 S *	8/1950	Tubbs	D6/420
D183,545 S *	9/1958	Shore	D6/337
6,279,489 B1	8/2001	Daniel		

2003/0196573 A1* 10/2003 Fischer 108/50.01

* cited by examiner

Primary Examiner—Janice E. Seeger

(74) *Attorney, Agent, or Firm*—Kelly Lowry & Kelley LLC

(57) **CLAIM**

The ornamental design for a utility table, as shown and described.

DESCRIPTION

FIG. 1 is a front, top and left side perspective view of a utility table embodying my new design;

FIG. 2 is a front elevational view thereof;

FIG. 3 is a rear elevational view thereof;

FIG. 4 is a right side elevational view thereof;

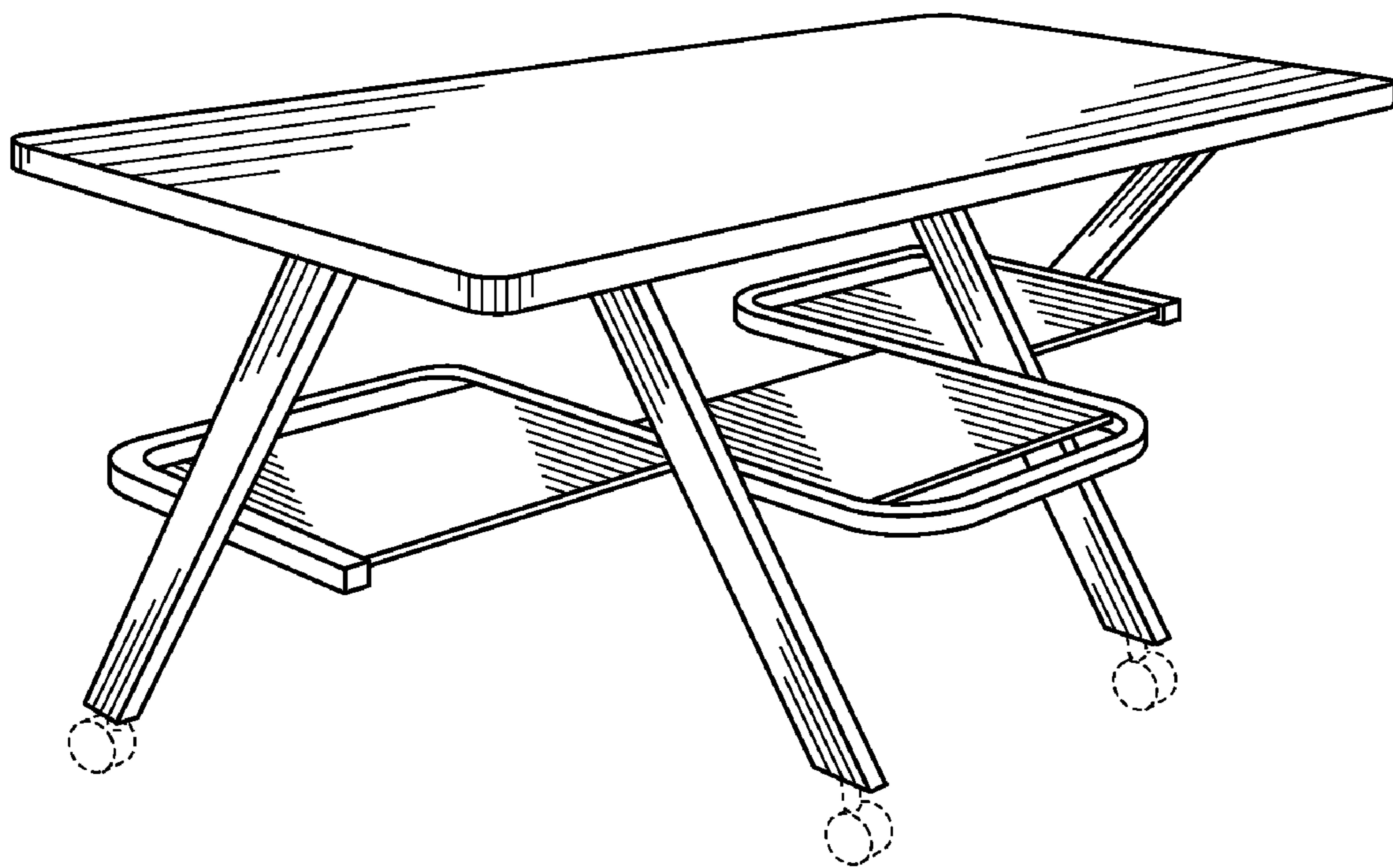
FIG. 5 is a left side elevational view thereof;

FIG. 6 is a top plan view thereof; and,

FIG. 7 is a bottom plan view thereof.

The broken lines are for environmental purposes only and form no part of the claimed design.

1 Claim, 3 Drawing Sheets



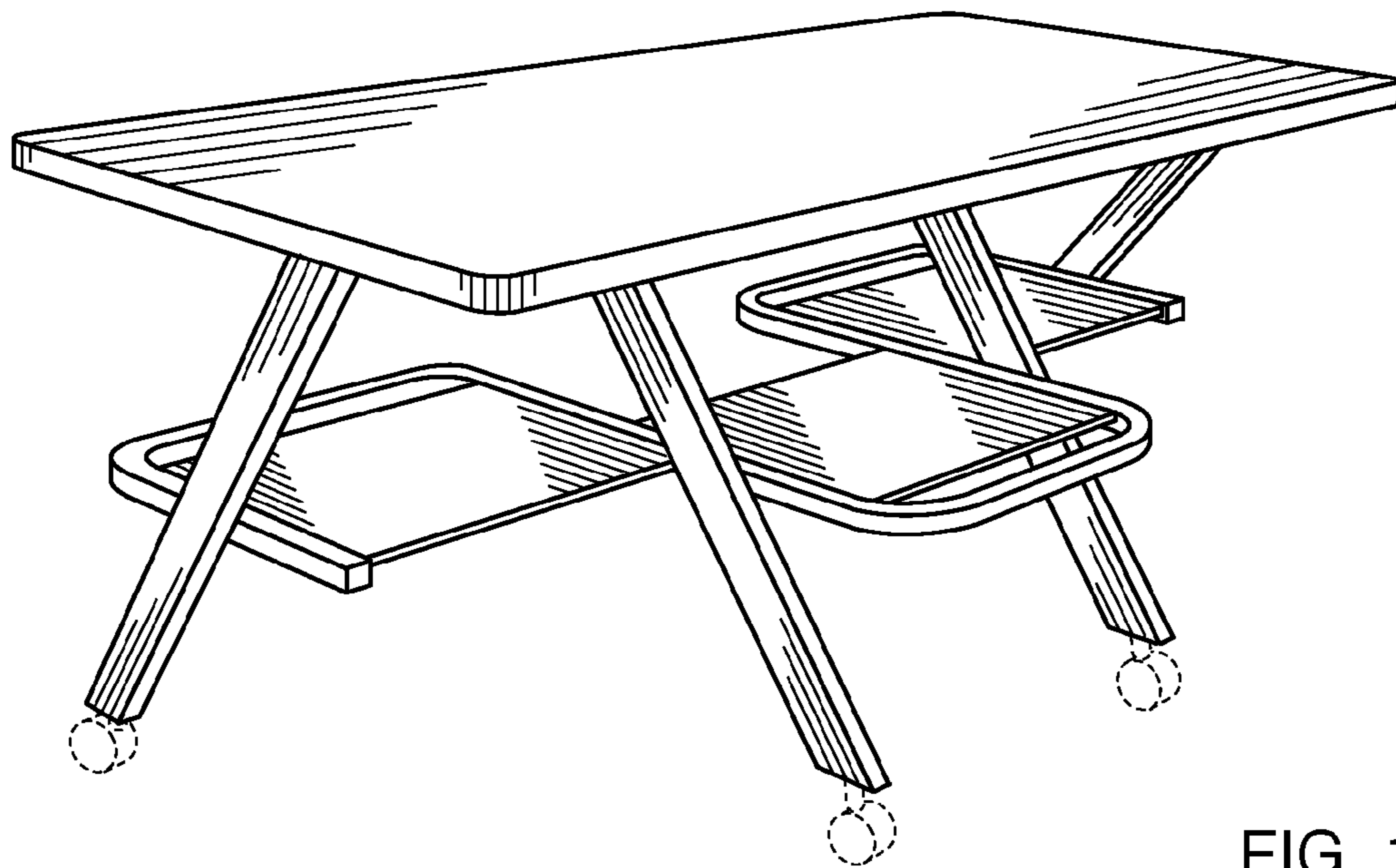


FIG. 1

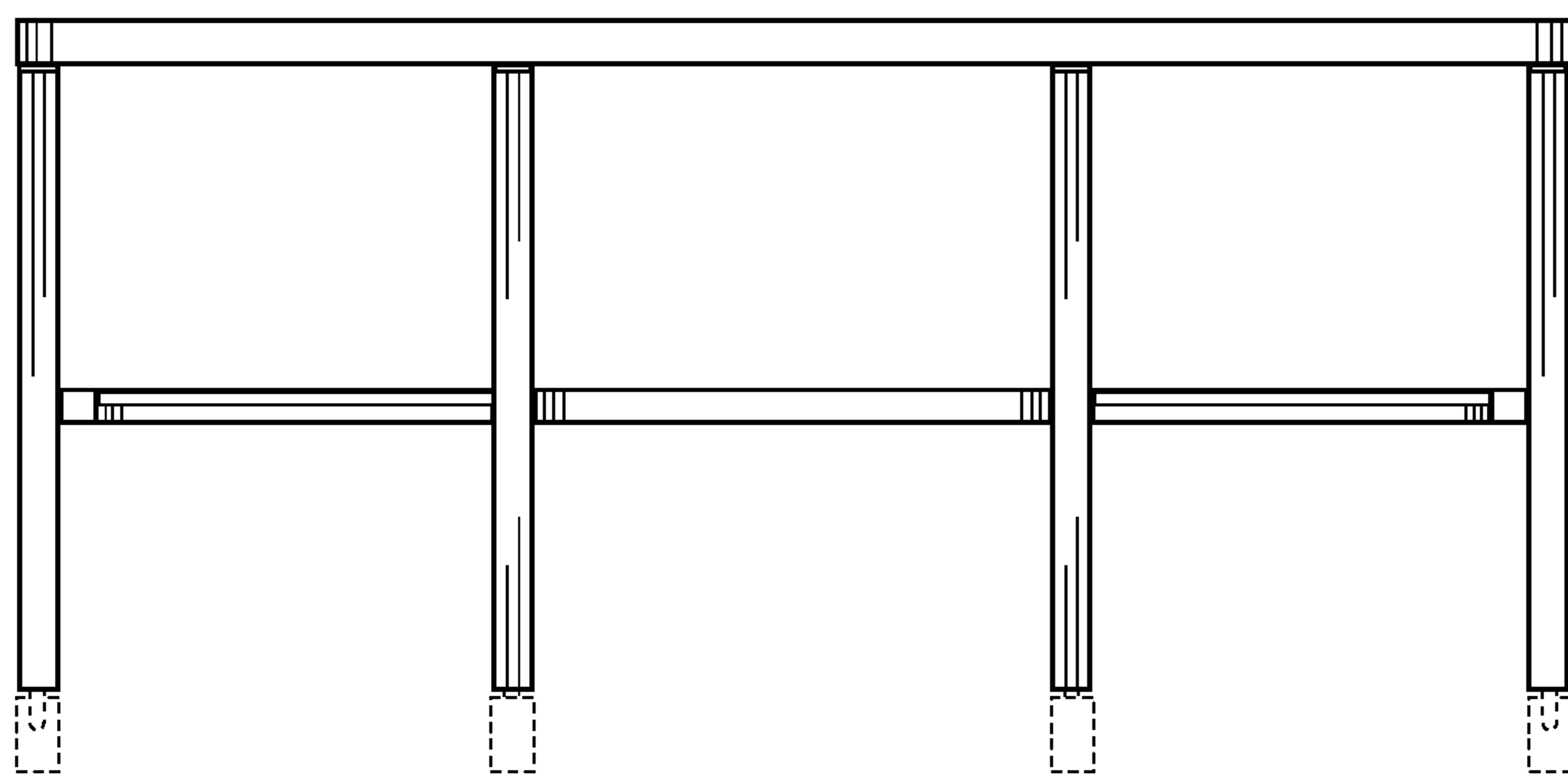


FIG. 2

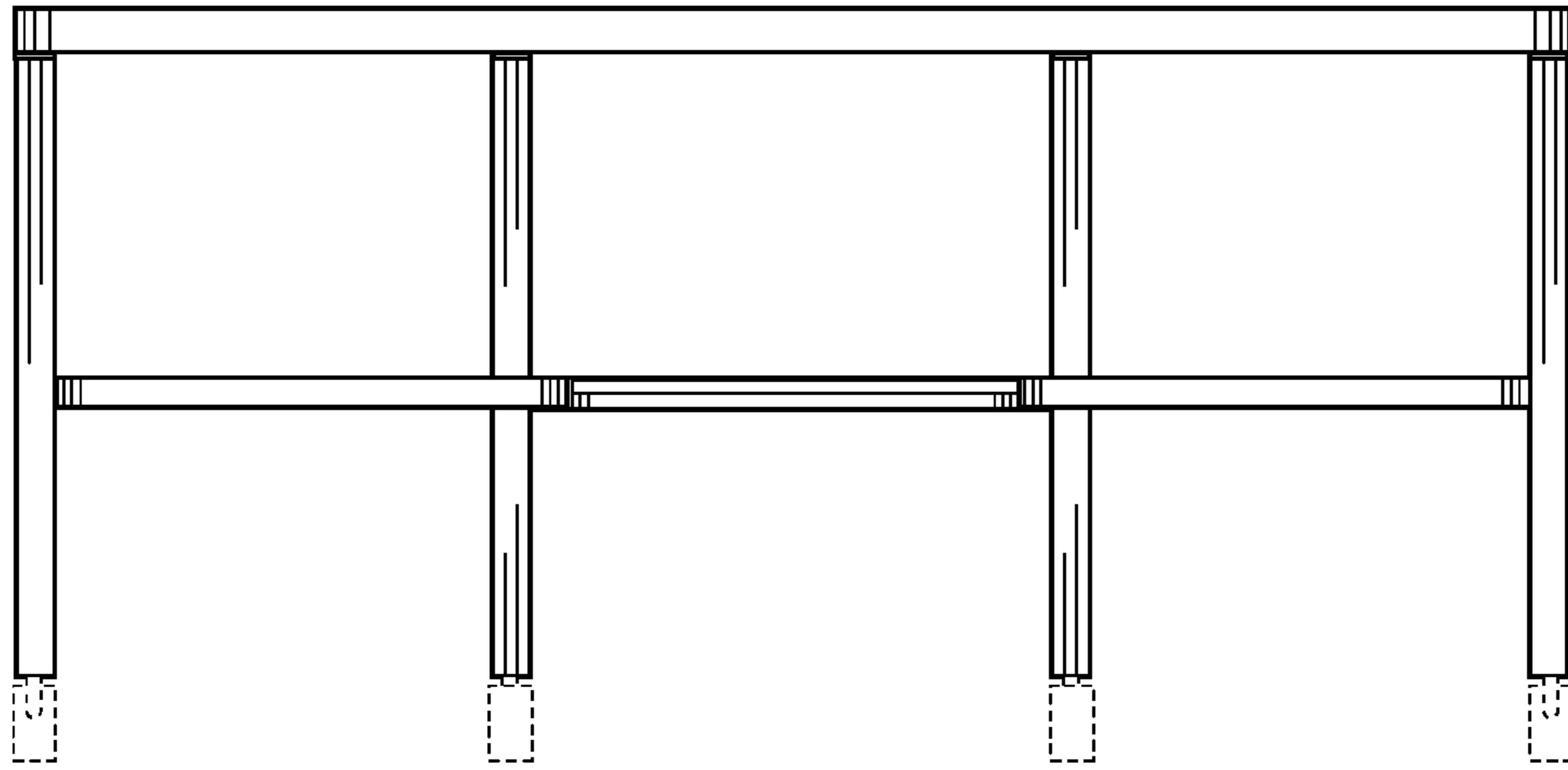


FIG. 3

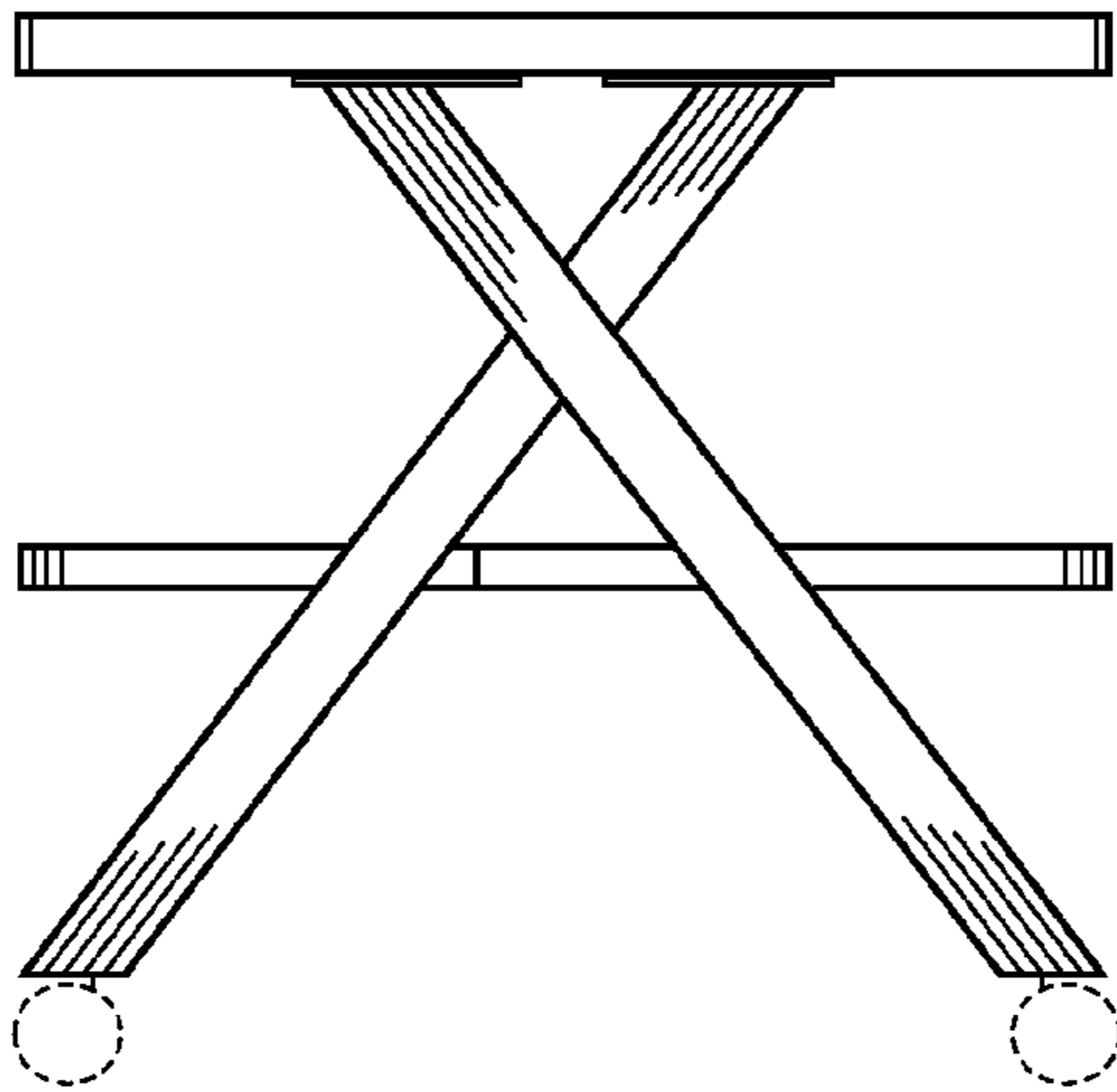


FIG. 4

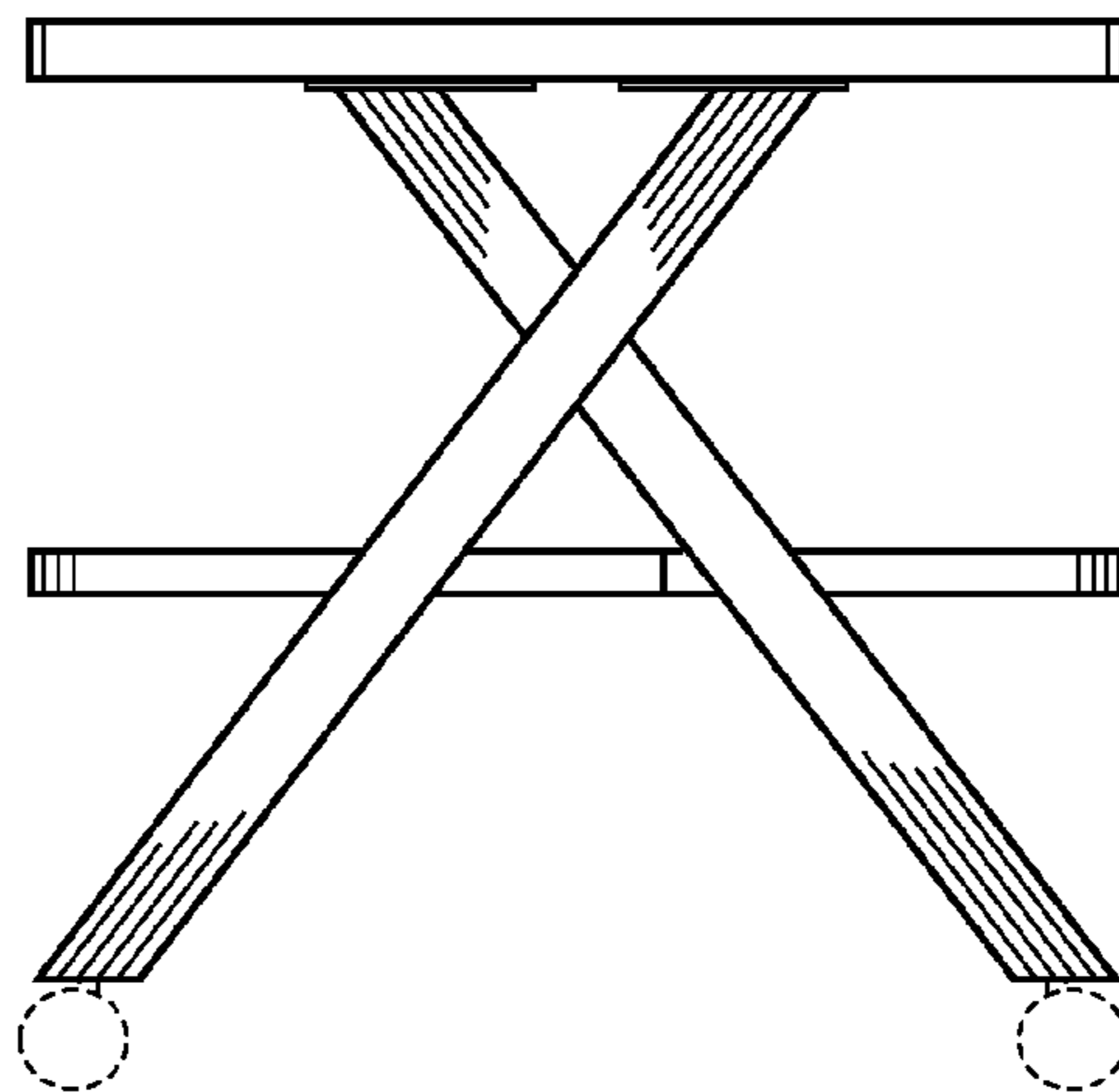


FIG. 5

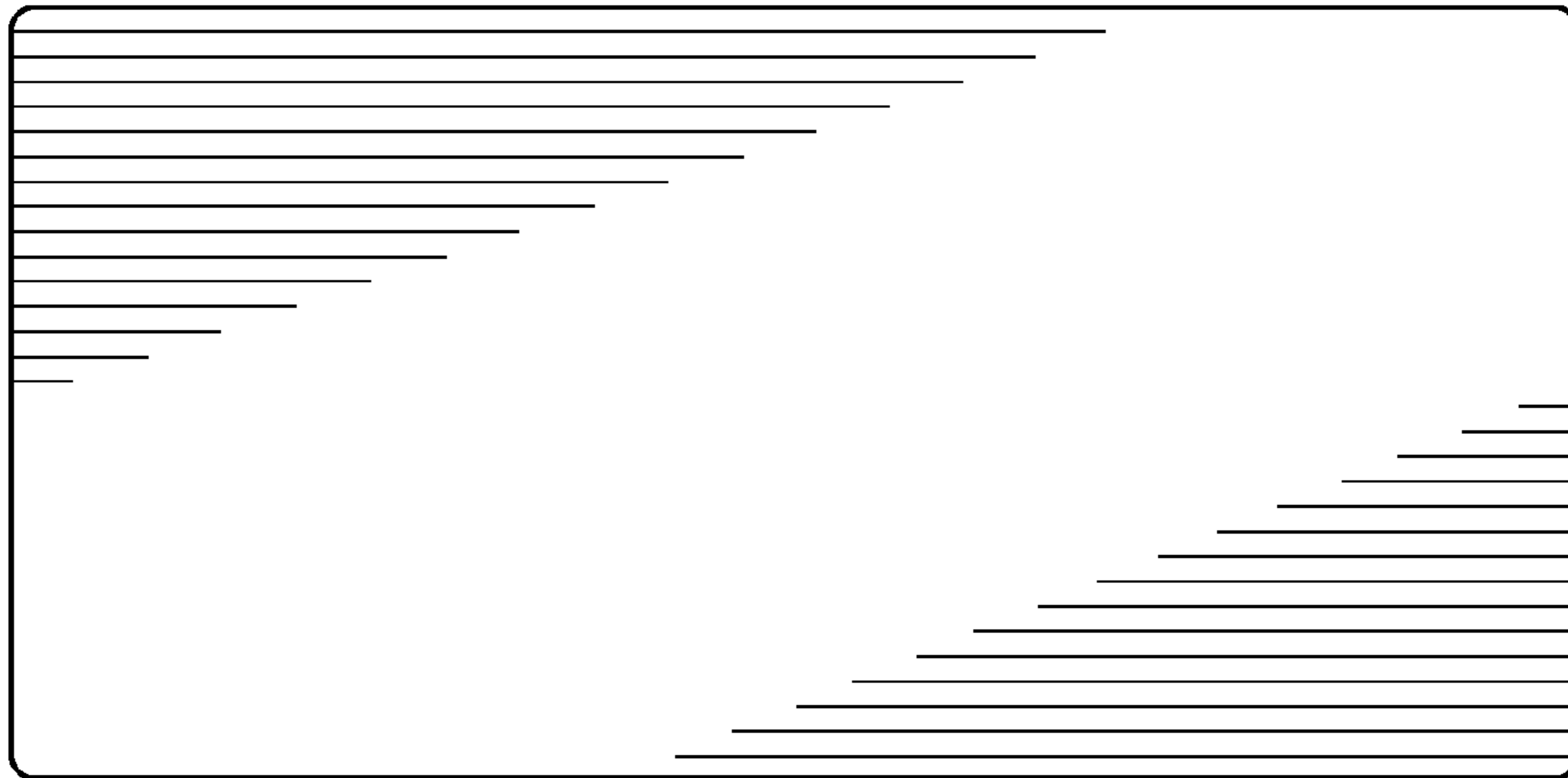


FIG. 6

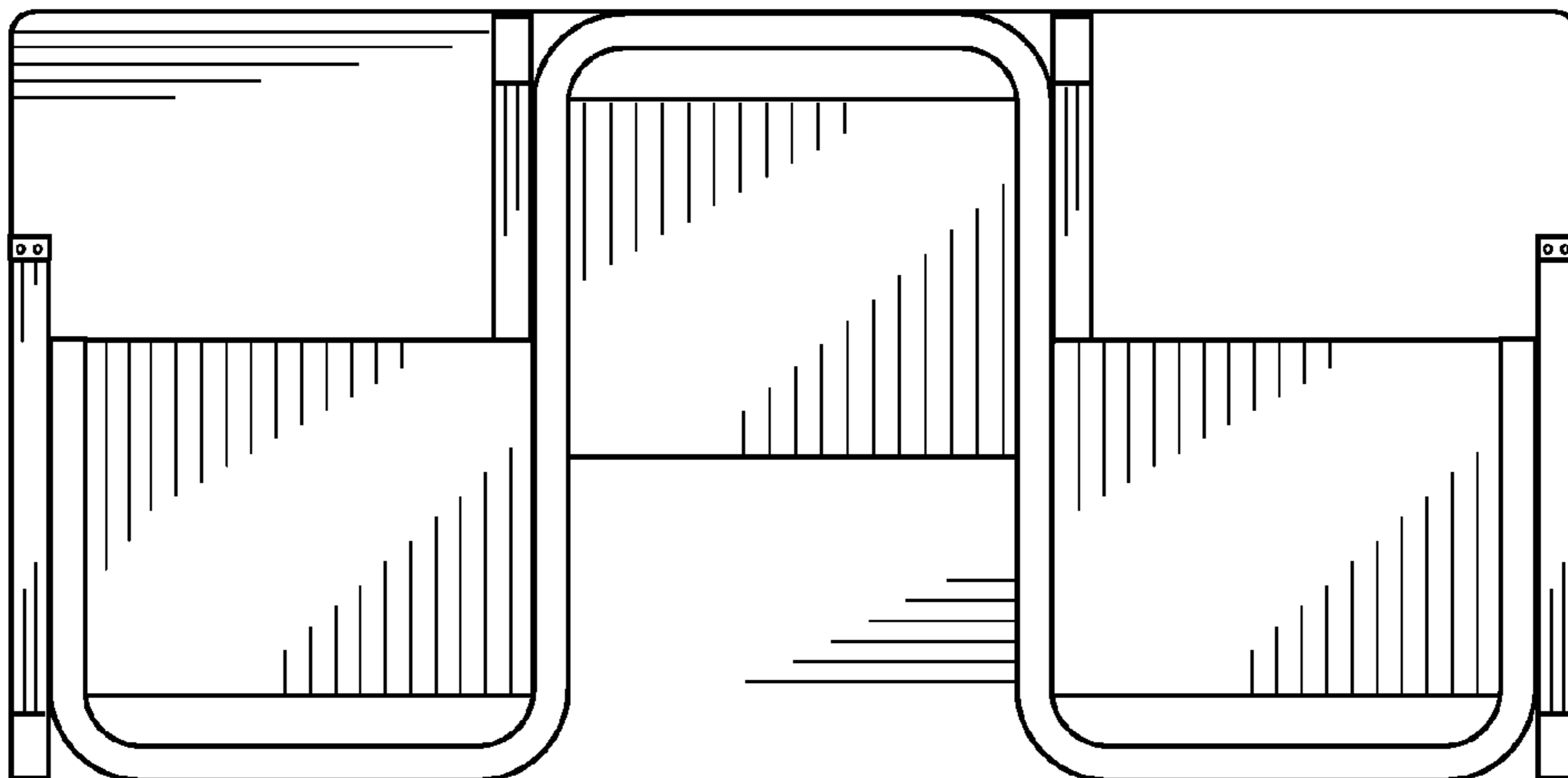


FIG. 7