



US00D547971S

(12) **United States Design Patent**  
**Lachance et al.**

(10) **Patent No.:** **US D547,971 S**

(45) **Date of Patent:** **\*\* Aug. 7, 2007**

(54) **TWO-TIER TABLE**

D323,437 S \* 1/1992 Hashimoto et al. .... D6/436  
D428,713 S 8/2000 Arko et al.  
D473,724 S 4/2003 Hans De Wit

(76) Inventors: **André Lachance**, 1044,  
Arthur-Dumouchel, Boucherville,  
Quebec (CA) J4B 8J1; **Elise Lachance**,  
1290-25, De Montarville, Boucherville,  
Quebec (CA) J4B 8E2

\* cited by examiner

*Primary Examiner*—Janice E. Seeger

(\*\*) Term: **14 Years**

(57) **CLAIM**

(21) Appl. No.: **29/222,615**

The ornamental design for a two-tier table, as shown and described.

(22) Filed: **Feb. 1, 2005**

**DESCRIPTION**

(51) **LOC (8) Cl.** ..... **06-03**

(52) **U.S. Cl.** ..... **D6/426; D6/480**

(58) **Field of Classification Search** ..... D6/422–426,  
D6/429, 480, 474; 108/50.01, 50.02, 147.19,  
108/147.1, 144.11; 312/194–196, 203, 239;  
248/188.5

FIG. 1 is a perspective view favoring the rear.  
FIG. 2 is a perspective view favoring the front.  
FIG. 3 is a top view.  
FIG. 4 is a front view.  
FIG. 5 is a side view, both side being identical; and,  
FIG. 6 is a rear view.

See application file for complete search history.

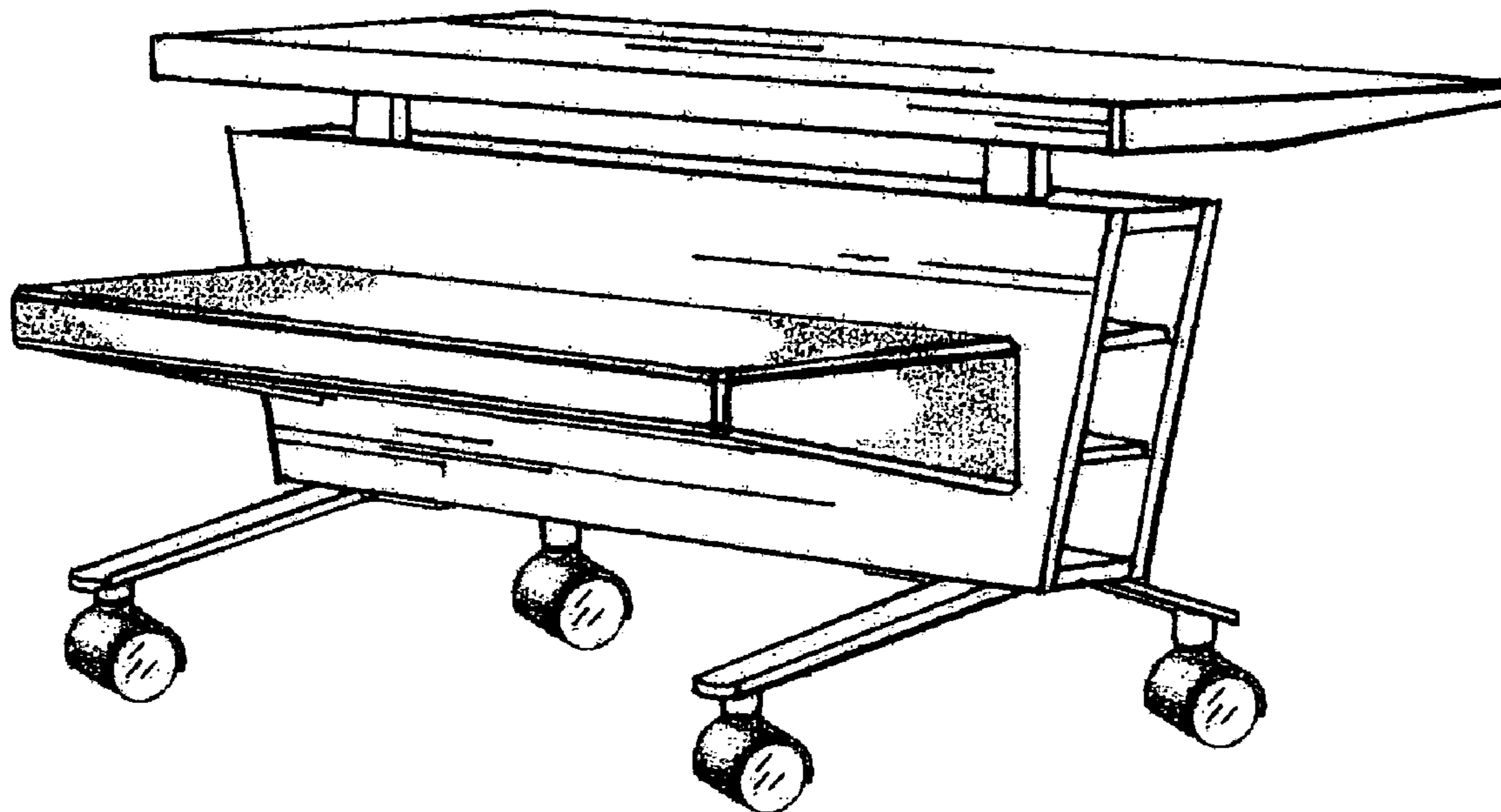
The shape generally represents a table section about the height of a kitchen table and a leg rest section about the height of an ottoman all on the same structure along with some shelving space.

(56) **References Cited**

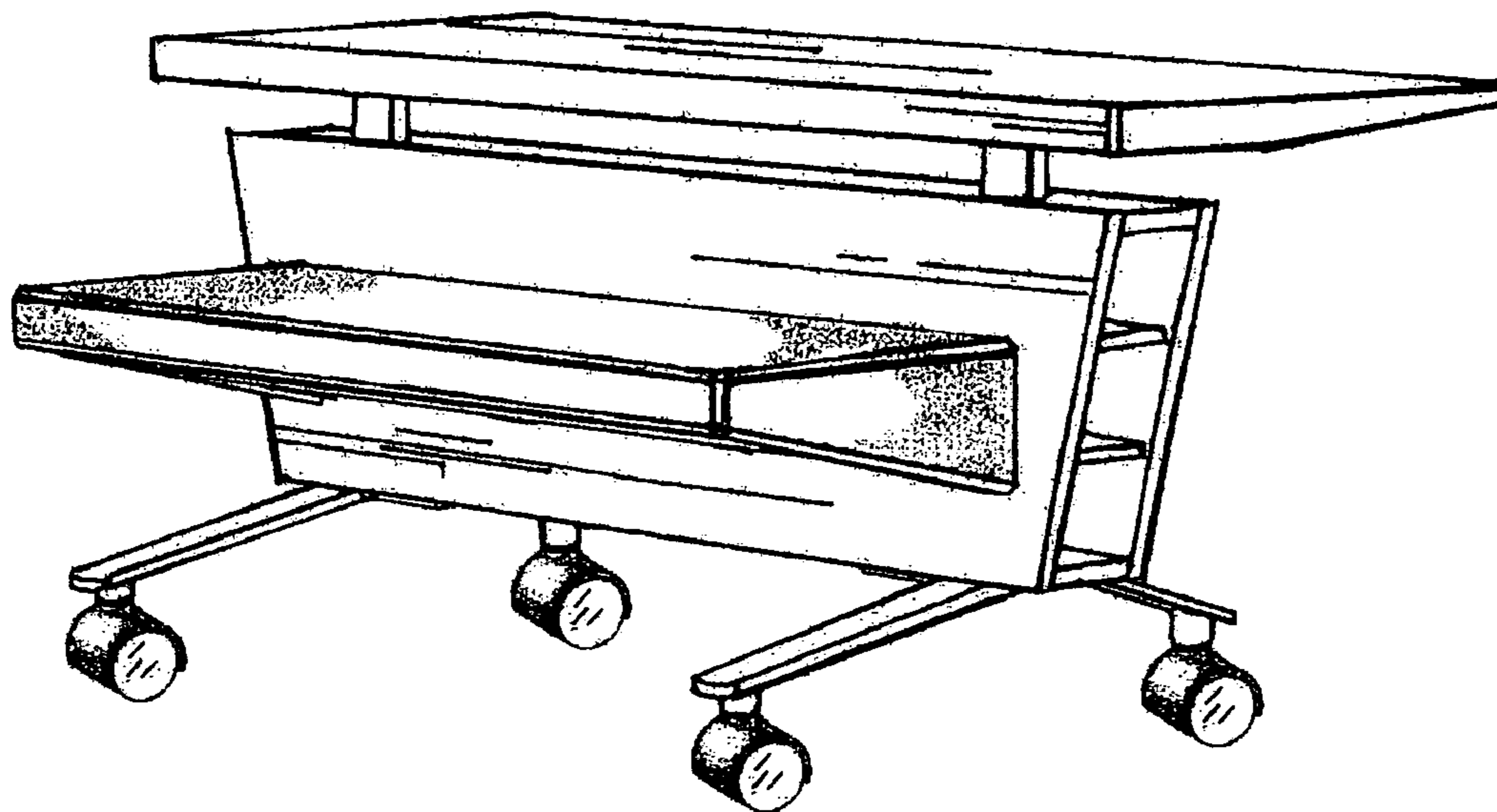
**U.S. PATENT DOCUMENTS**

D274,586 S \* 7/1984 Cope et al. .... D6/420  
D279,740 S \* 7/1985 Slager ..... D6/478  
D288,750 S \* 3/1987 Friedman ..... D6/429  
D305,585 S \* 1/1990 Wright ..... D6/426

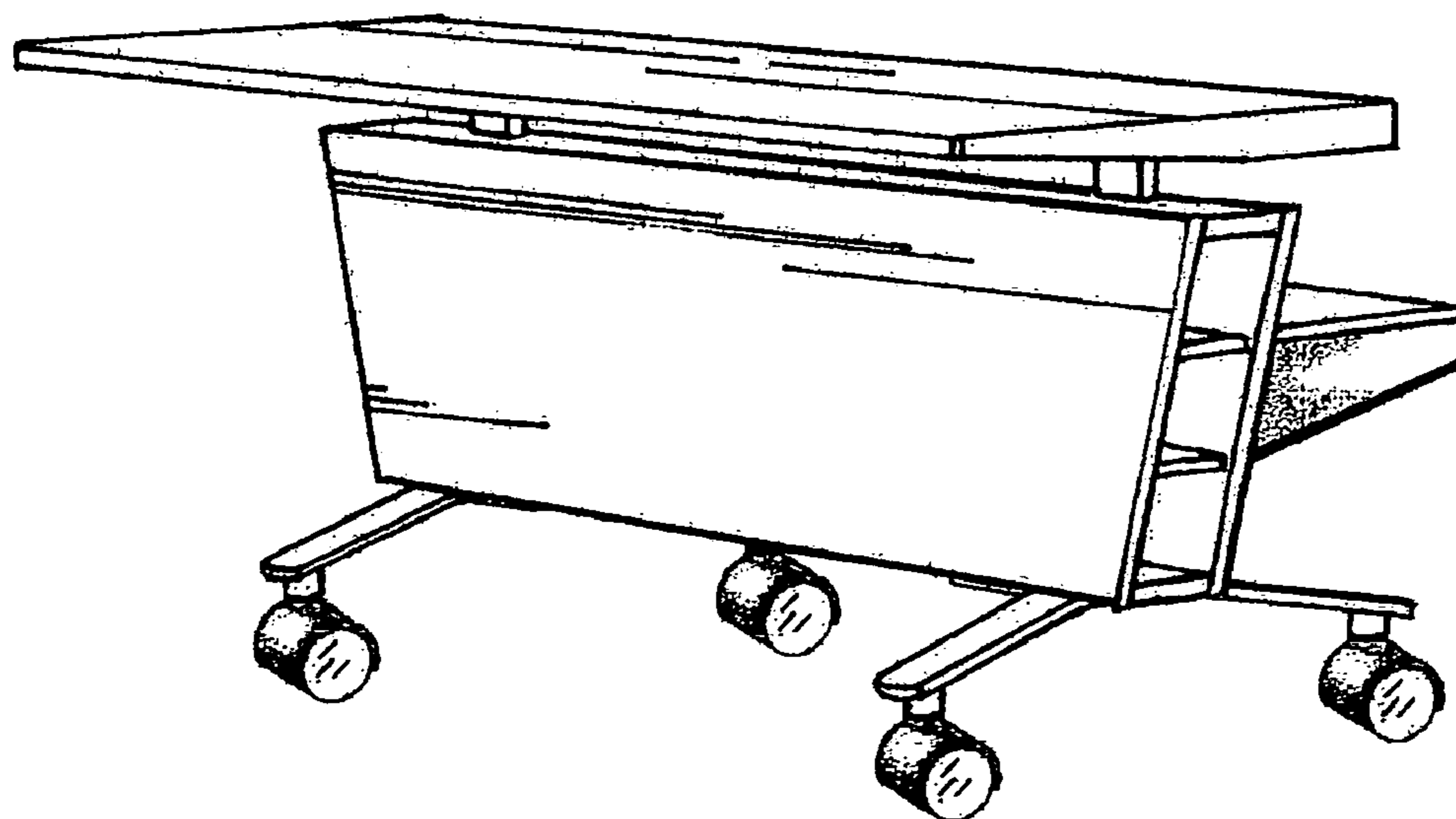
**1 Claim, 2 Drawing Sheets**



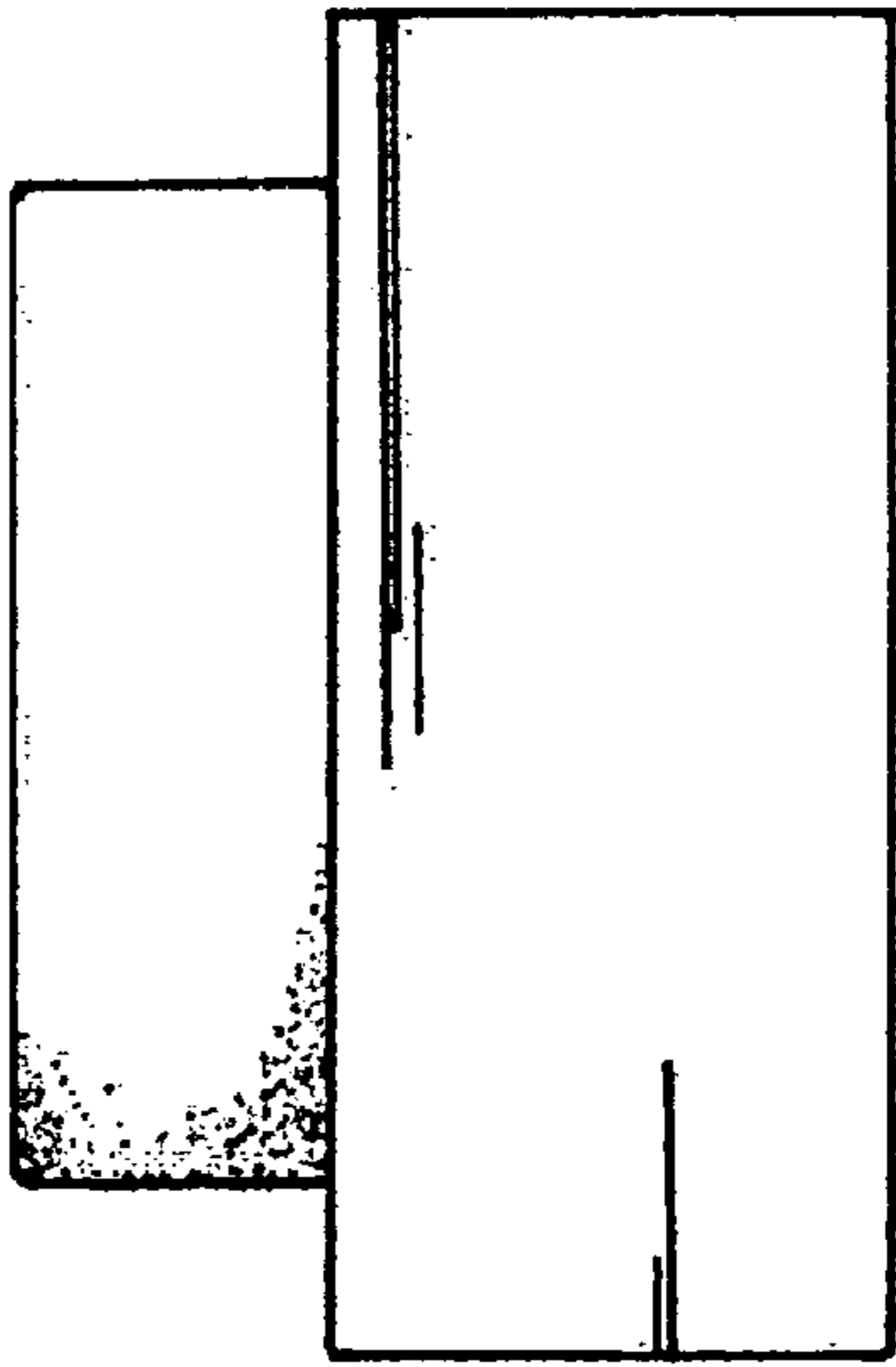
**FIG. 1**



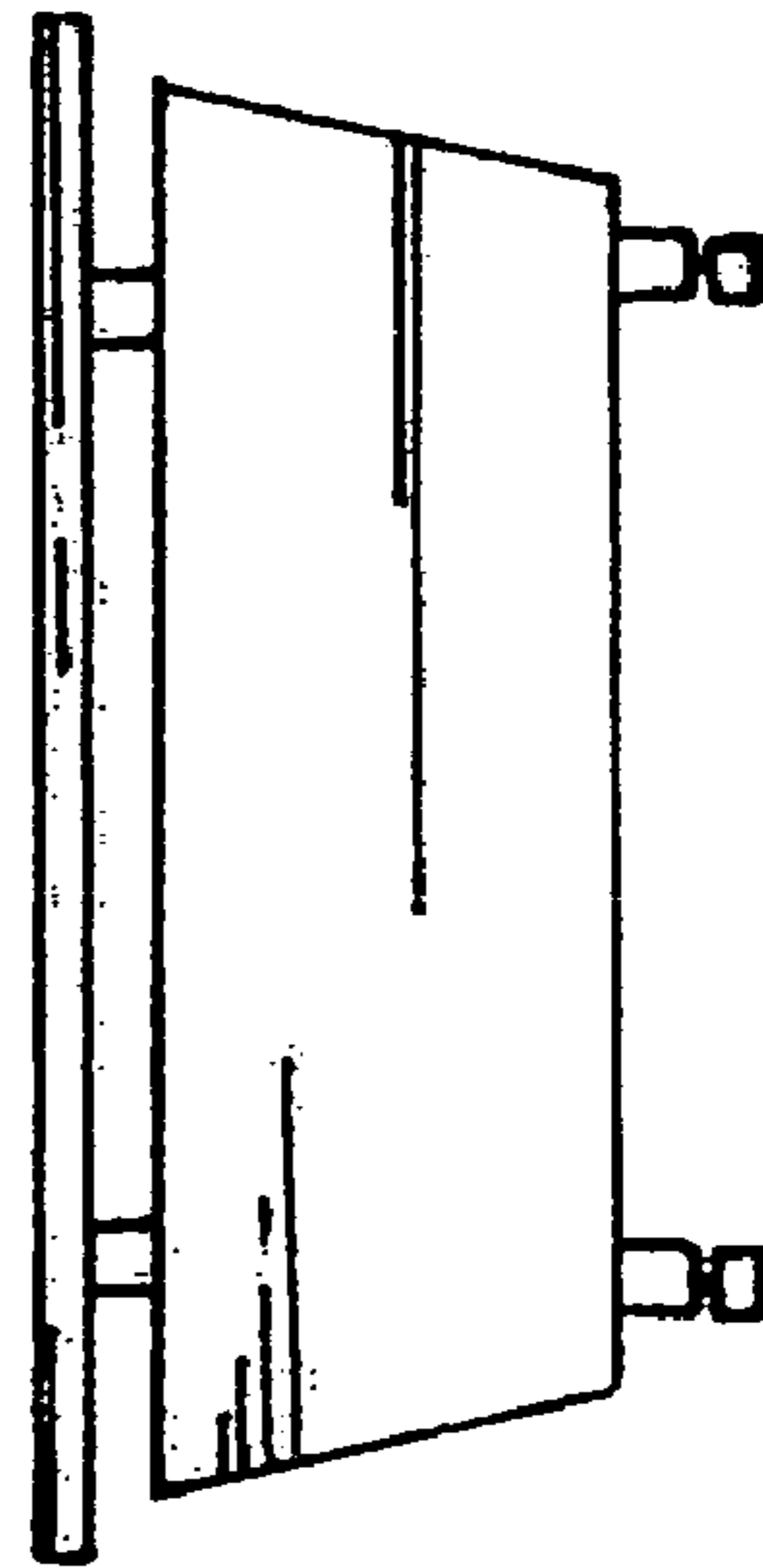
**FIG. 2**



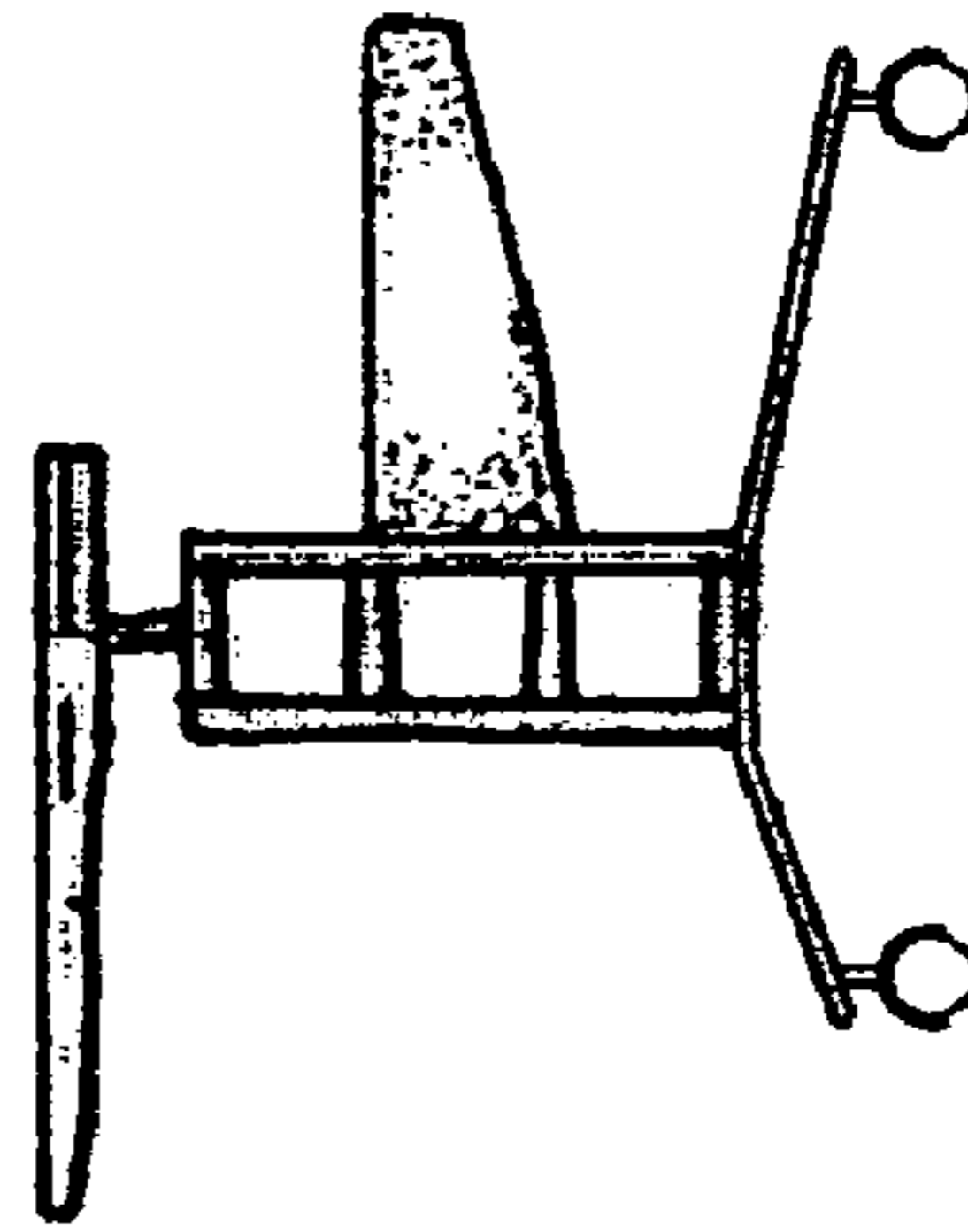
**FIG. 3**



**FIG. 4**



**FIG. 5**



**FIG. 6**

