



US00D547970S

(12) **United States Design Patent**
Chou

(10) **Patent No.:** **US D547,970 S**

(45) **Date of Patent:** **** Aug. 7, 2007**

(54) **COMPUTER DESK**

D473,728 S * 4/2003 Chang D6/422
D505,567 S * 5/2005 Chang D6/425

(75) Inventor: **Horng-Ren Chou**, Changhua Hsien
(TW)

* cited by examiner

(73) Assignee: **EHT Worldwide Co., Ltd**, Changhua
(TW)

Primary Examiner—Janice E. Seeger

Assistant Examiner—Zenia Bennett

(**) Term: **14 Years**

(74) *Attorney, Agent, or Firm*—Alan Kamrath; Kamrath &
Associates PA

(21) Appl. No.: **29/258,481**

(57) **CLAIM**

(22) Filed: **Apr. 21, 2006**

The ornamental design for a computer desk, as shown and
described.

(51) **LOC (8) Cl.** **06-04**

(52) **U.S. Cl.** **D6/422**

(58) **Field of Classification Search** D6/422–428,
D6/480, 484, 485, 487; 312/194–196, 223.1,
312/223.2

See application file for complete search history.

DESCRIPTION

FIG. 1 is a perspective view of a computer desk showing my
design;

FIG. 2 is a front elevational view thereof;

FIG. 3 is a rear elevational view thereof;

FIG. 4 is a left side elevational view thereof;

FIG. 5 is a right side elevational view thereof;

FIG. 6 is a top plan view thereof; and,

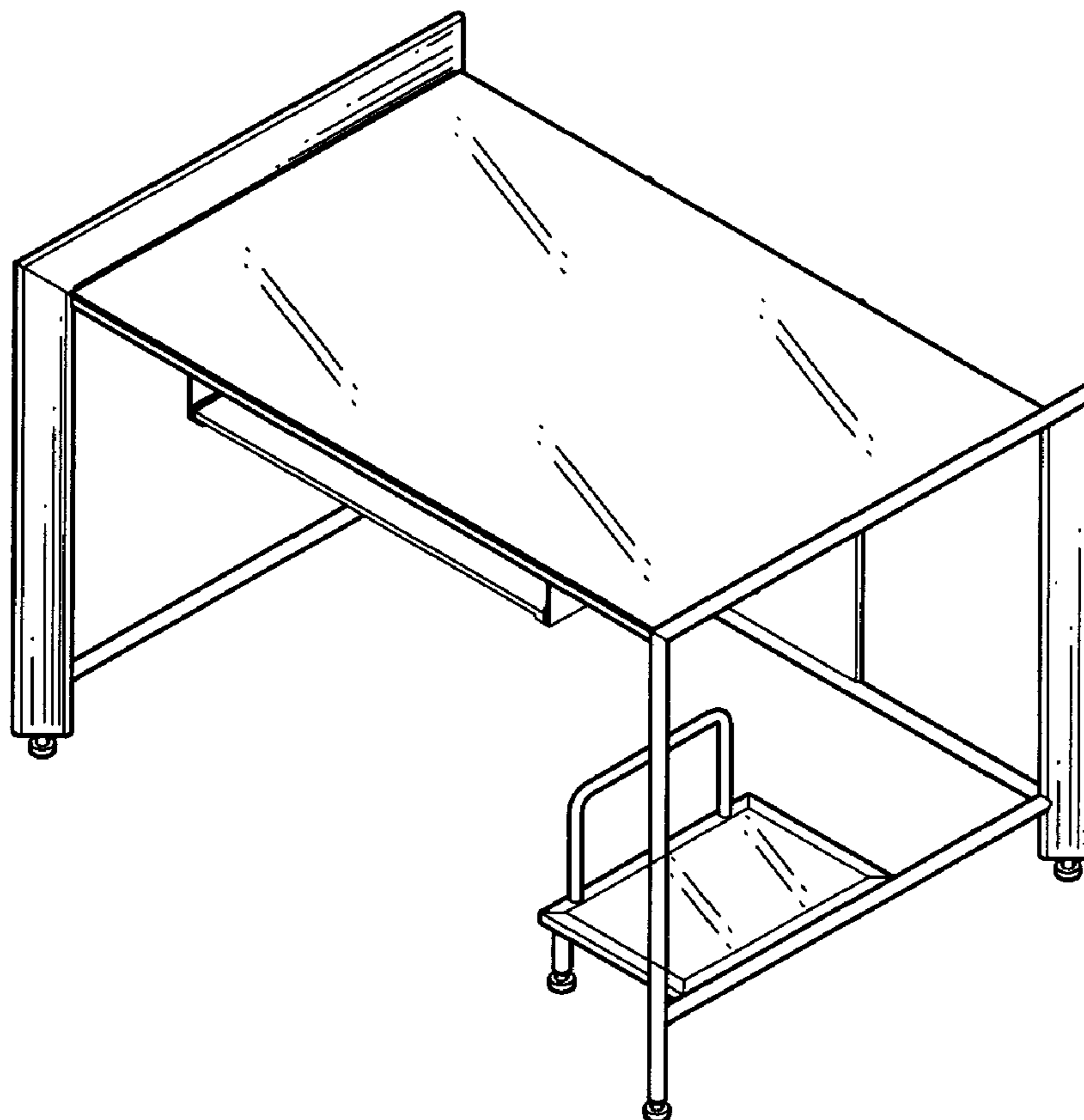
FIG. 7 is a bottom plan view thereof.

(56) **References Cited**

U.S. PATENT DOCUMENTS

D329,551 S * 9/1992 Lechman D6/422
D429,580 S * 8/2000 Janowitz D6/426
D452,085 S * 12/2001 Chang D6/422
D469,270 S * 1/2003 Hawang D6/425
D469,977 S * 2/2003 Wang D6/425

1 Claim, 4 Drawing Sheets



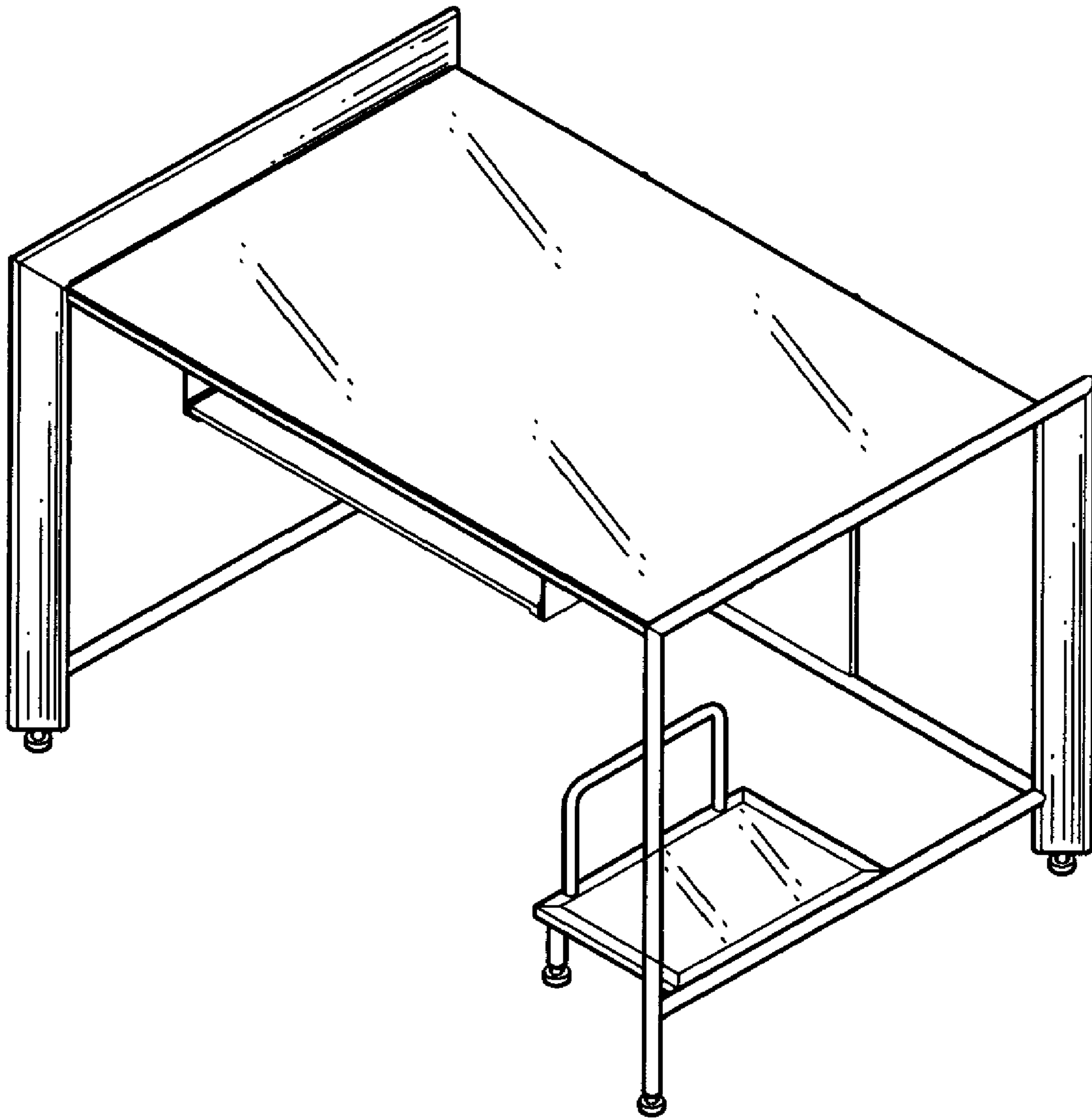


FIG. 1

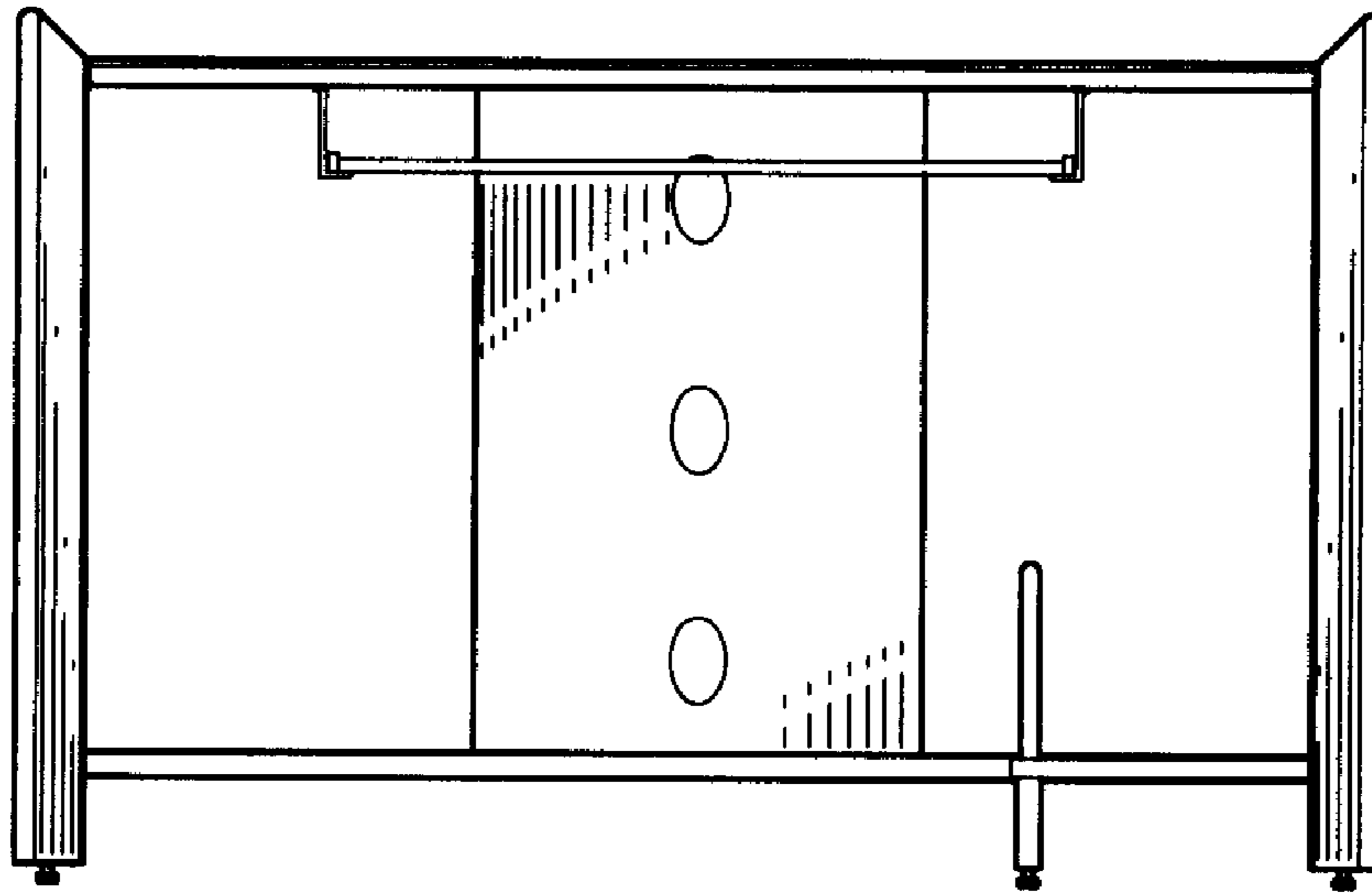


FIG. 2

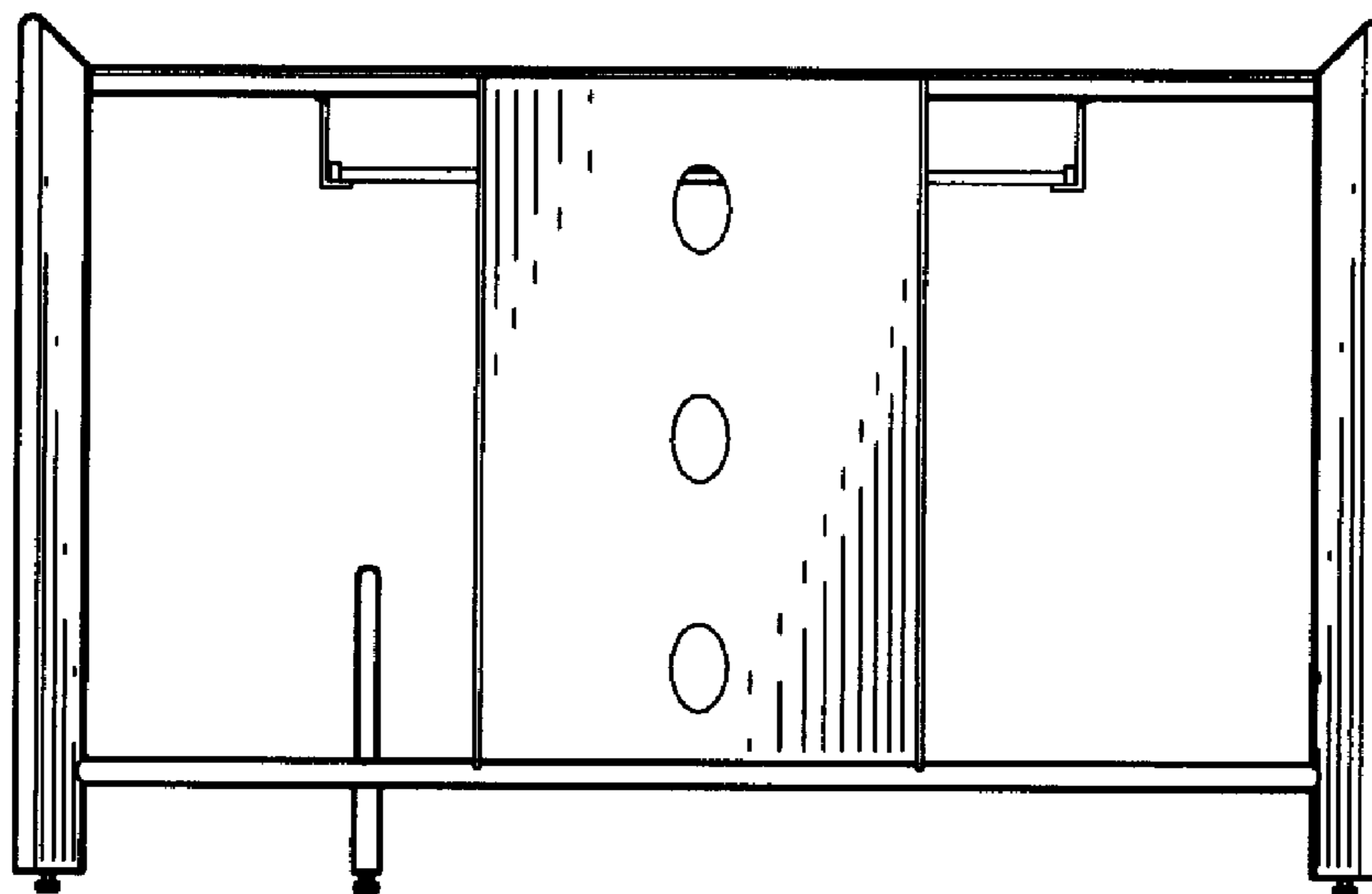


FIG. 3

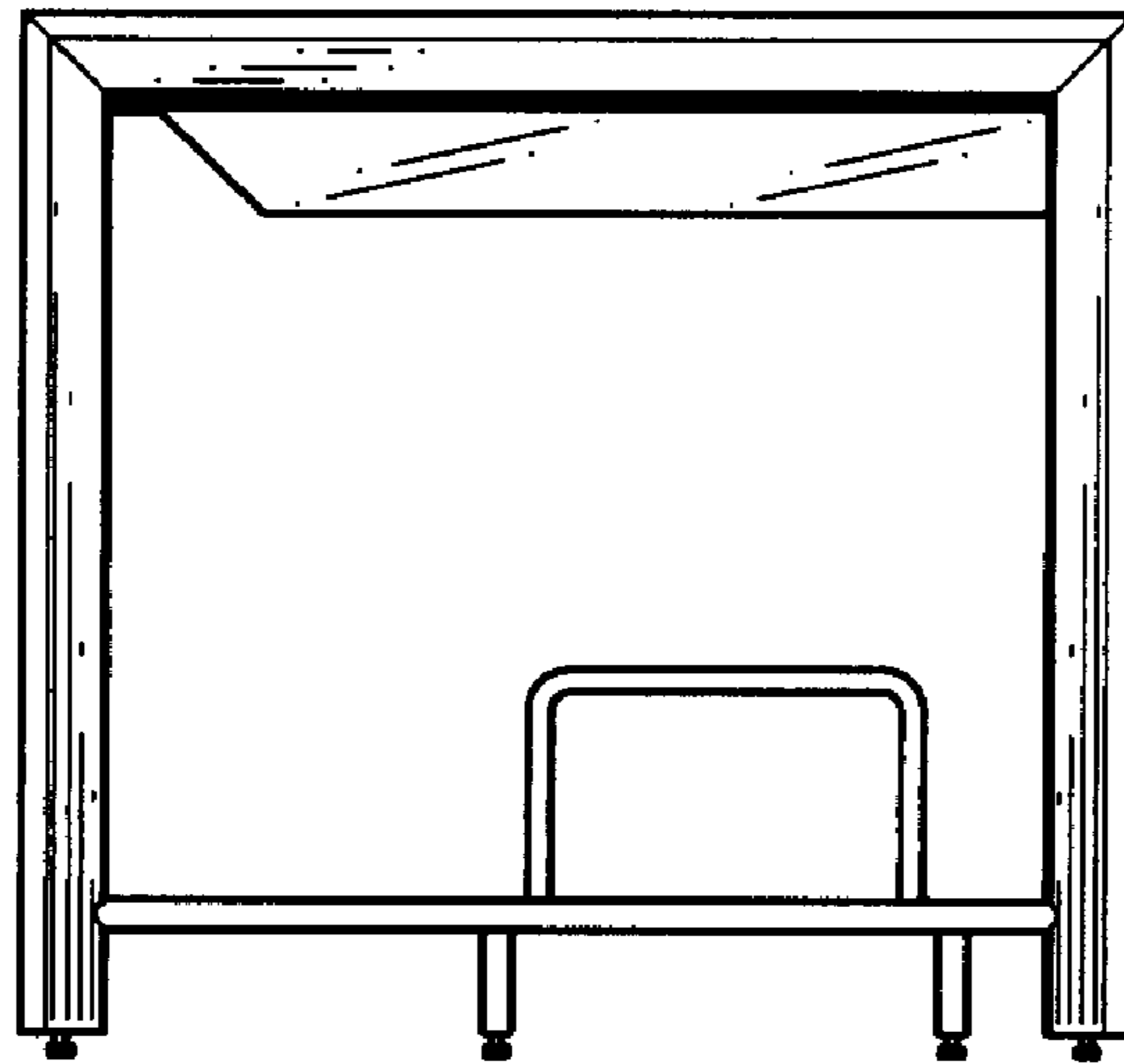


FIG. 4

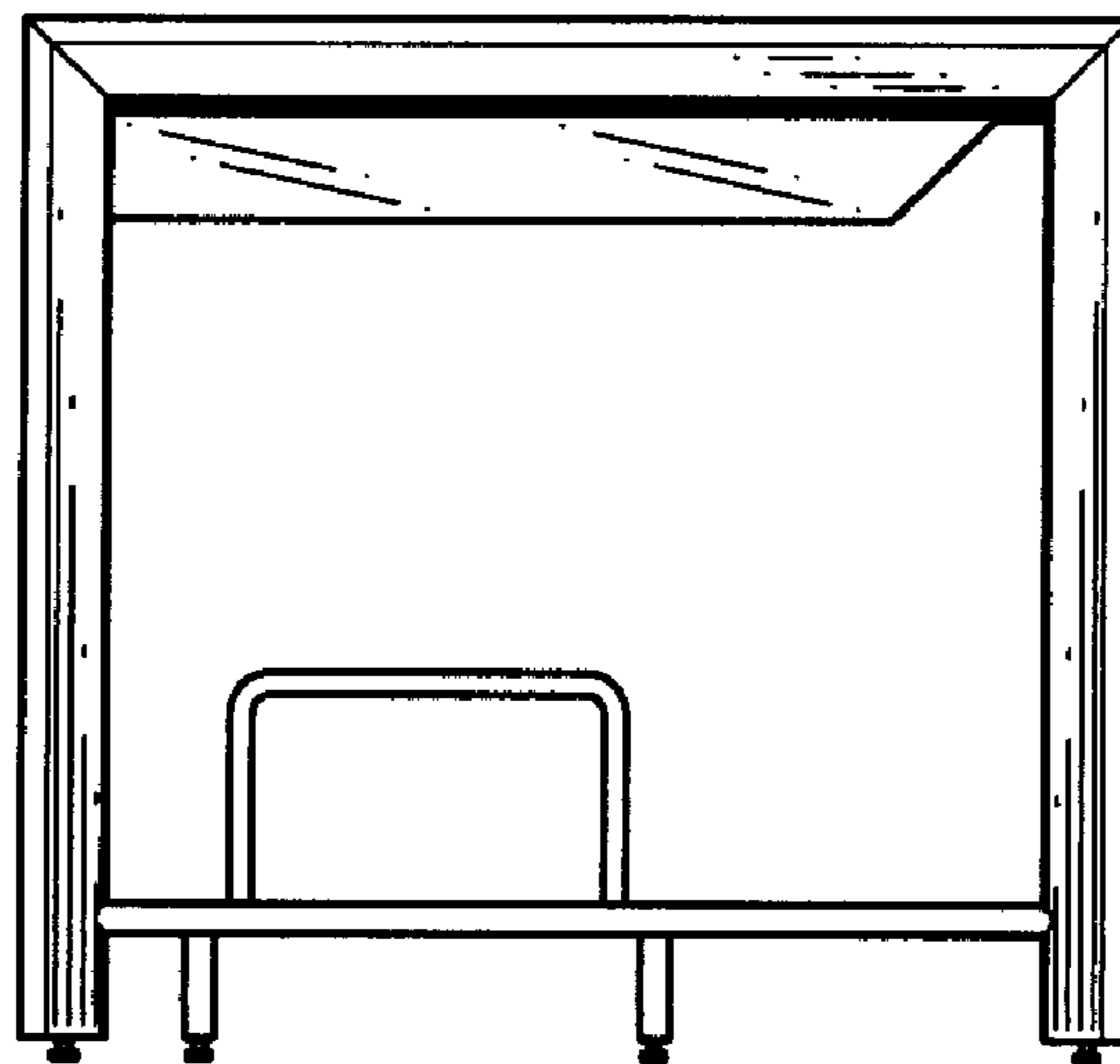


FIG. 5

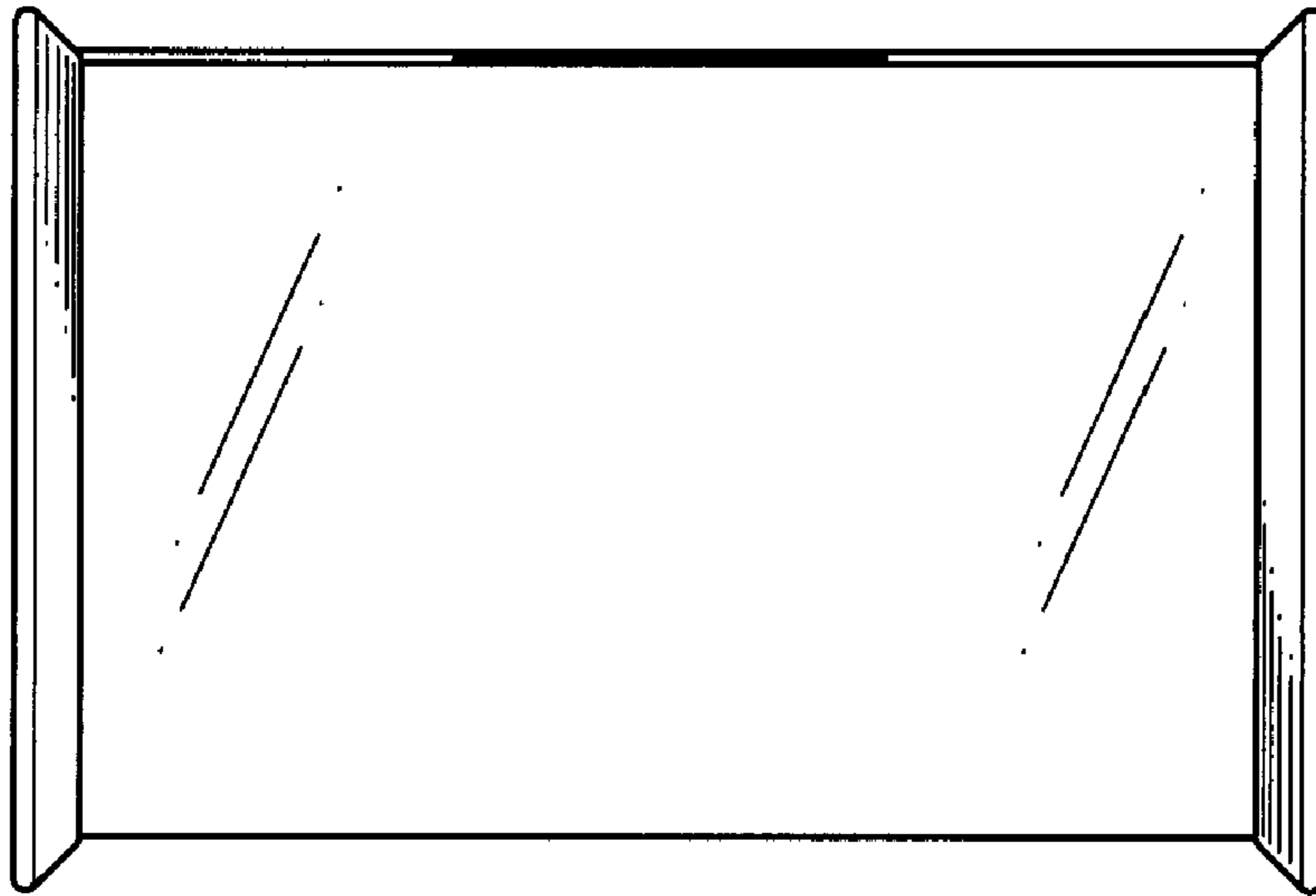


FIG. 6

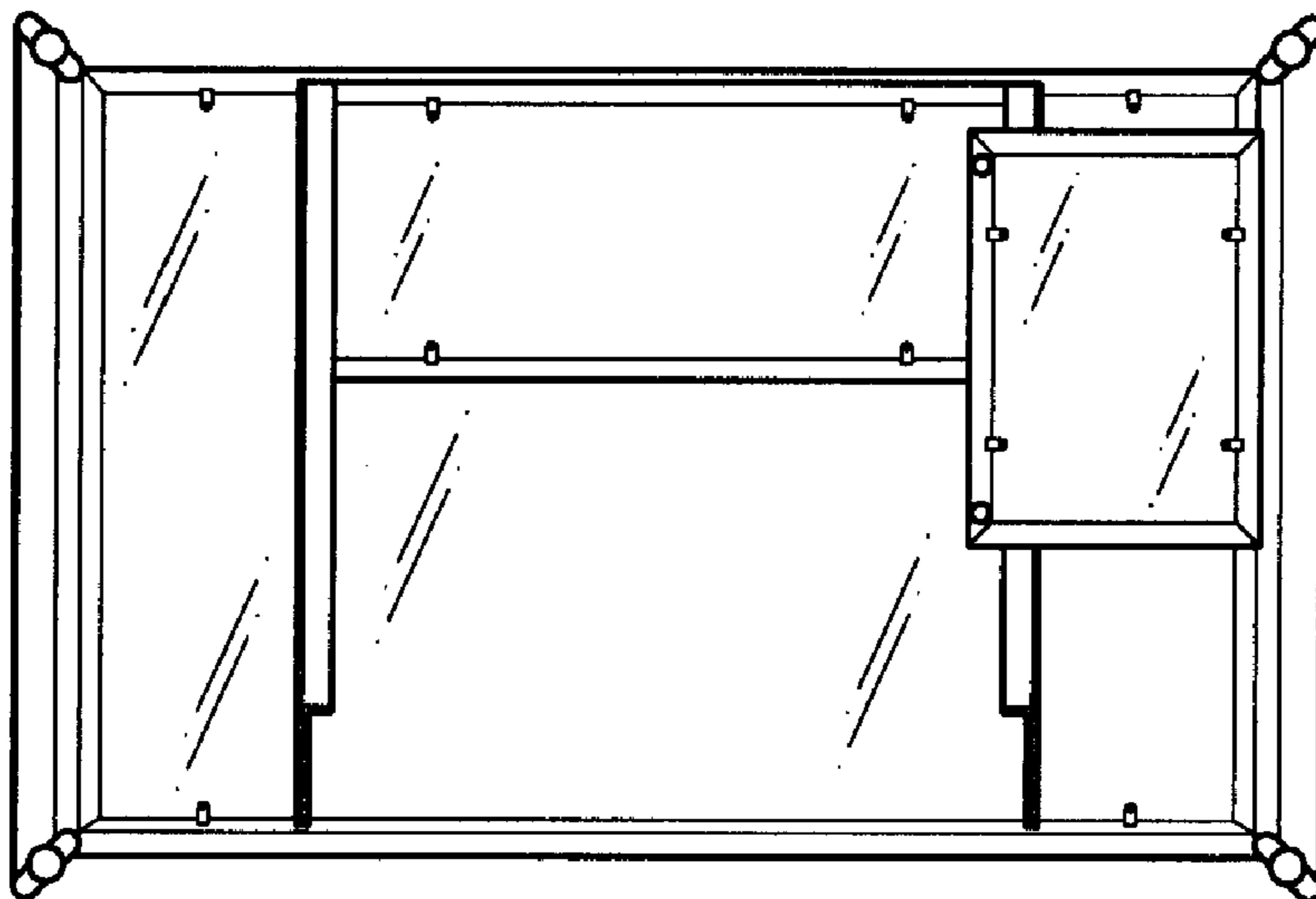


FIG. 7