



US00D547969S

(12) **United States Design Patent** (10) **Patent No.:** **US D547,969 S**
Domack et al. (45) **Date of Patent:** **** Aug. 7, 2007**

(54) **PANEL BED**

Primary Examiner—Janice E. Seeger

(75) Inventors: **Randy D. Domack**, Trempealeau, WI (US); **Terry A. Everson**, Blair, WI (US)

(74) *Attorney, Agent, or Firm*—Patterson, Thuente, Skaar & Christensen, P.A.

(73) Assignee: **Ashley Furniture Industries, Inc.**, Arcadia, WI (US)

(57) **CLAIM**

(**) Term: **14 Years**

The ornamental design for a panel bed, as shown and described.

(21) Appl. No.: **29/255,881**

(22) Filed: **Mar. 13, 2006**

DESCRIPTION

(51) **LOC (8) Cl.** **06-01**

FIG. 1 is a perspective view of a panel bed according to an embodiment of the invention.

(52) **U.S. Cl.** **D6/393**

FIG. 2 is an end view of the footboard of a panel bed according to an embodiment of the invention.

(58) **Field of Classification Search** D6/382–384, D6/388, 389, 393–395, 505–508; 5/53.1, 5/907, 279.1, 280, 281

FIG. 3 is an end view of the headboard of a panel bed according to an embodiment of the invention.

See application file for complete search history.

FIG. 4 is an overhead view of a panel bed according to an embodiment of the invention; and,

(56) **References Cited**

U.S. PATENT DOCUMENTS

D383,914 S *	9/1997	Keller	D6/393
D405,974 S *	2/1999	Estape et al.	D6/393
D421,347 S *	3/2000	O'Hare	D6/393
D443,433 S	6/2001	McDaniel et al.		
D448,947 S	10/2001	McDaniel et al.		
D475,862 S	6/2003	McDaniel et al.		
D492,855 S *	7/2004	Wanek et al.	D6/389
D495,161 S *	8/2004	Cappaert	D6/393

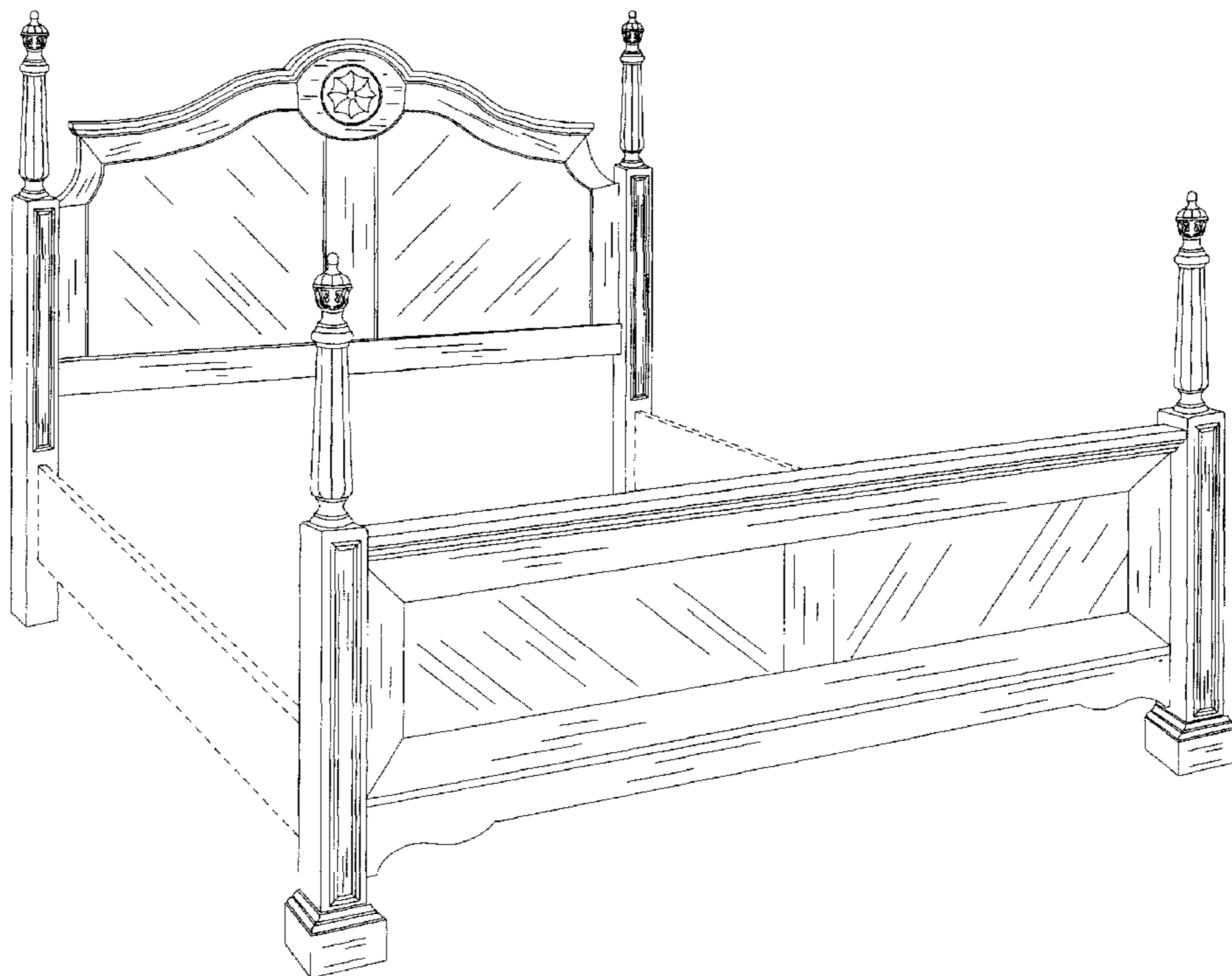
FIG. 5 is a side view of a panel bed according to an embodiment of the invention, the opposite side being a mirror-image thereto.

The dashed lines showing the bed frame are for illustrative purposes only, and form no part of the claimed design.

The headboard and footboard are shown separately for convenience of illustration.

* cited by examiner

1 Claim, 3 Drawing Sheets



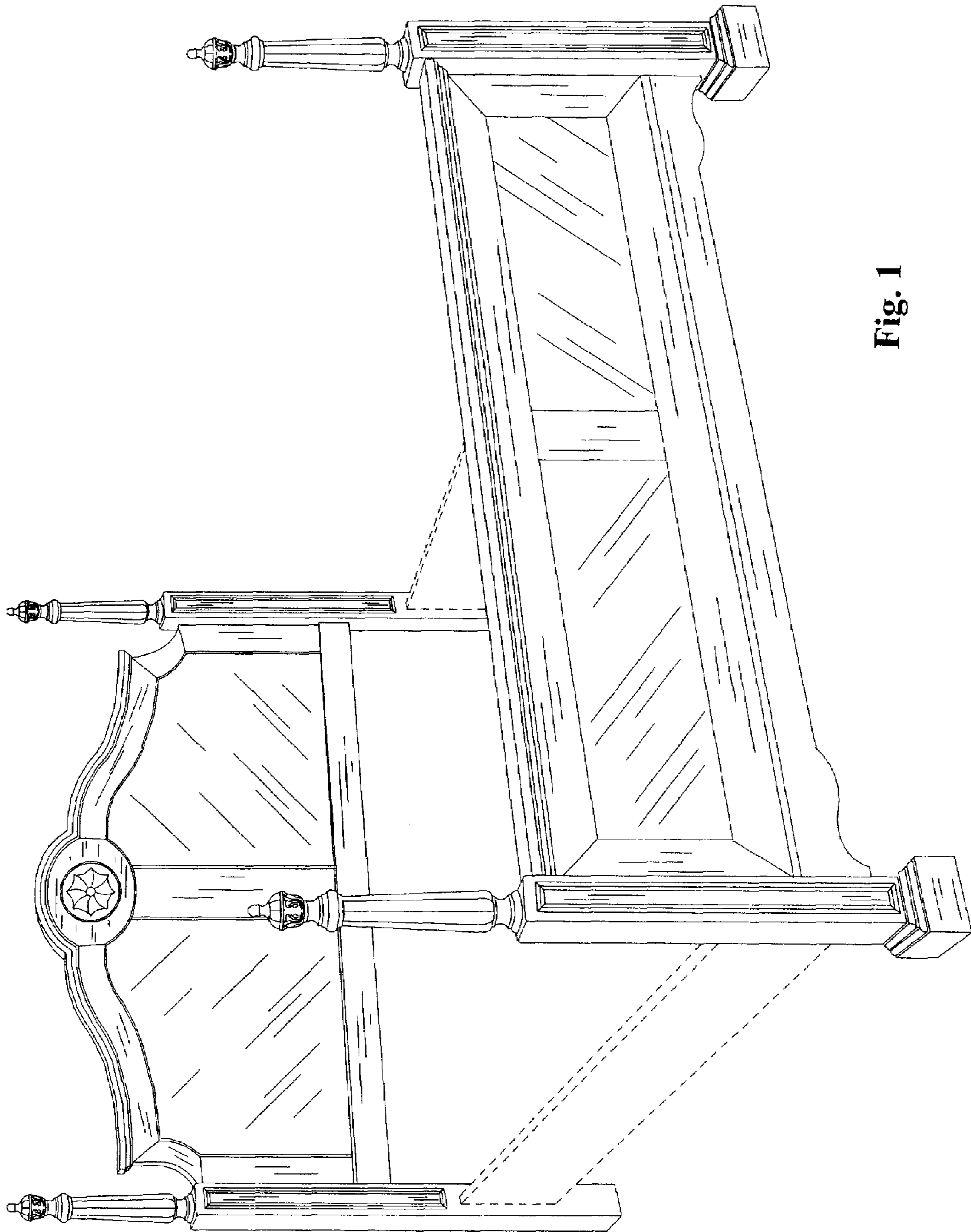


Fig. 1

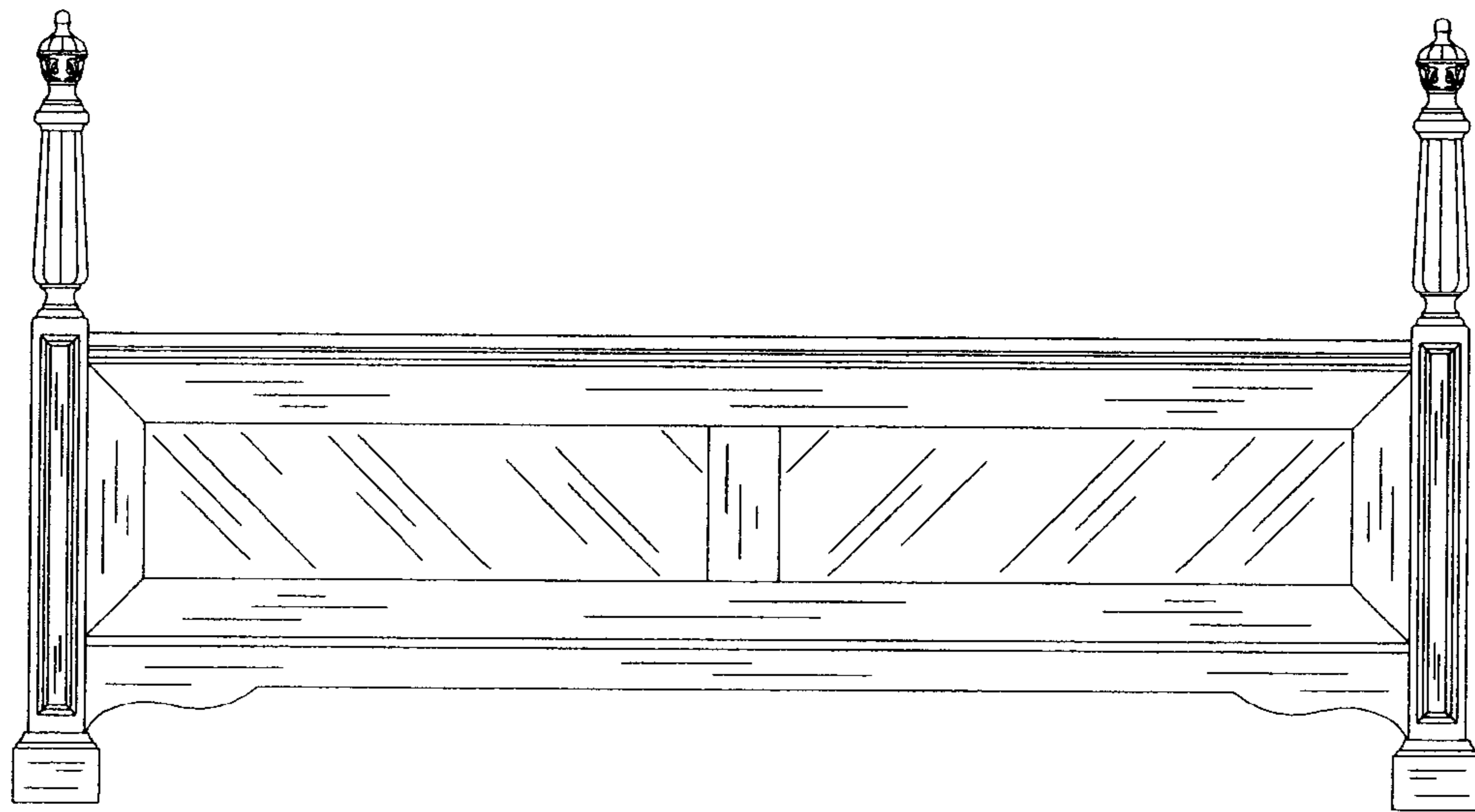


Fig. 2

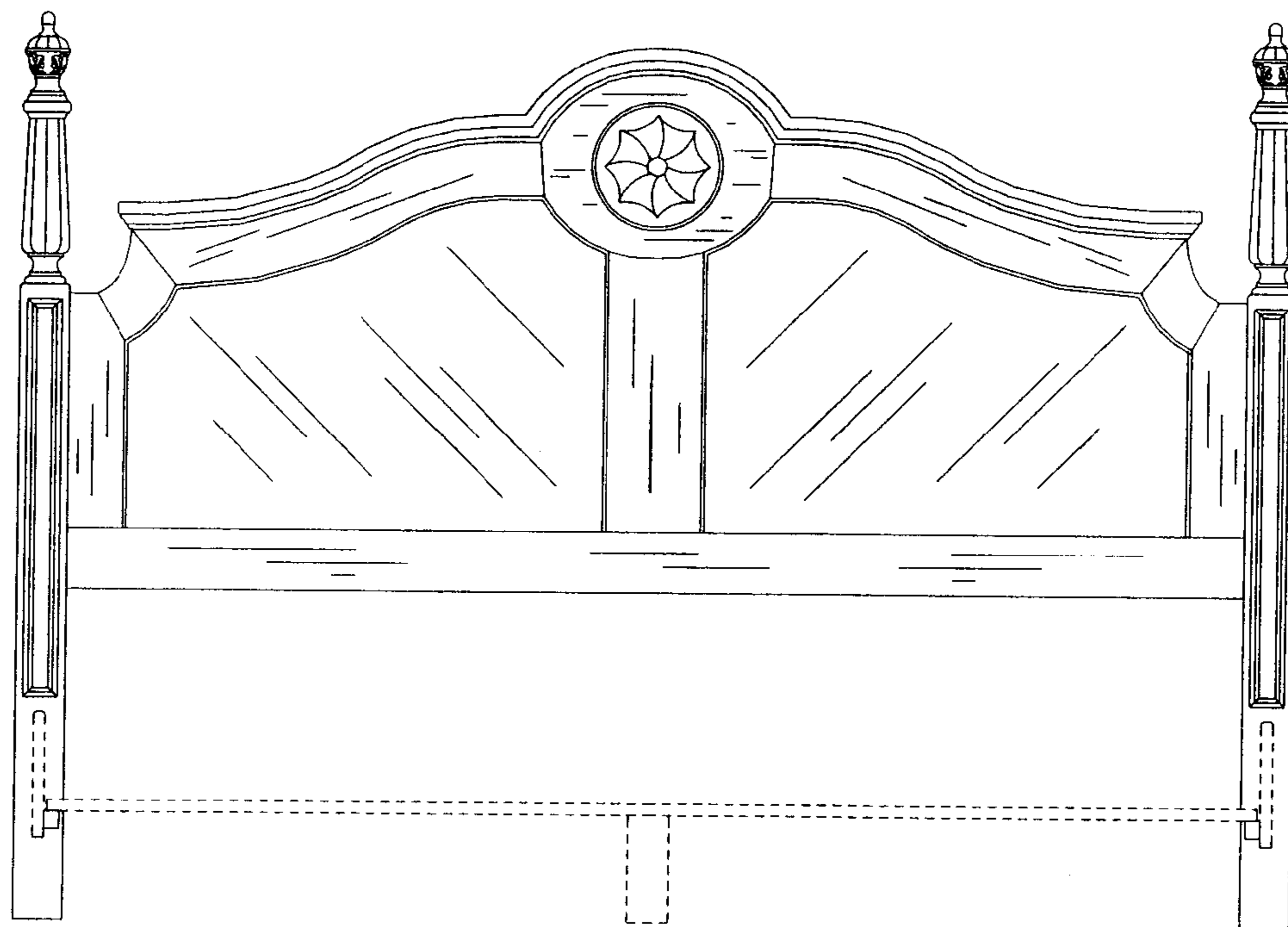


Fig. 3

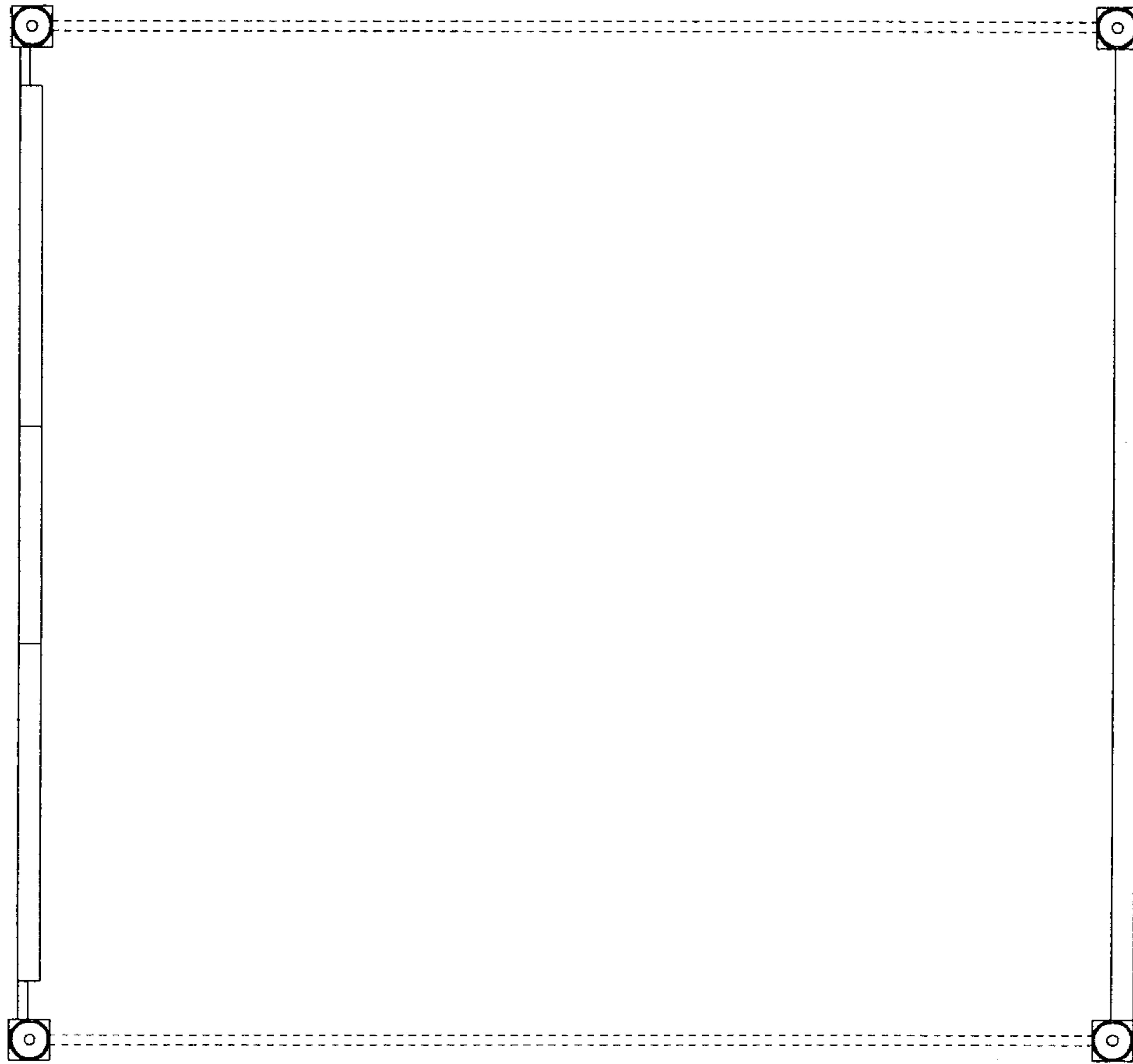


Fig. 4

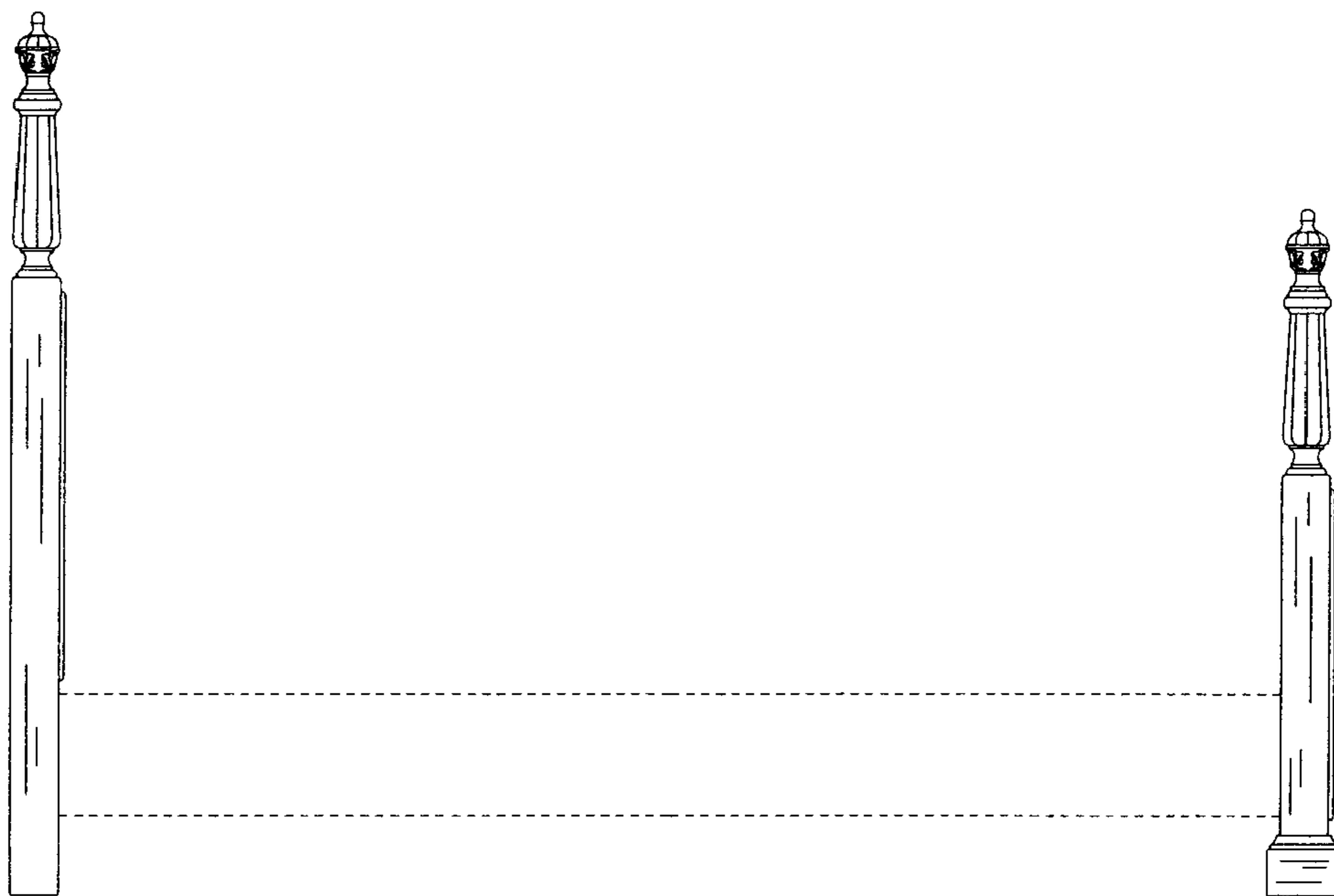


Fig. 5