

US00D547967S

(12) **United States Design Patent** (10) **Patent No.:** **US D547,967 S**  
**Oldham** (45) **Date of Patent:** **\*\* Aug. 7, 2007**

(54) **SECTIONAL**

(76) Inventor: **Jacky Todd Oldham**, 50 Murray St., #1601, New York, NY (US) 10007

(\*\*) Term: **14 Years**

(21) Appl. No.: **29/211,616**

(22) Filed: **Aug. 18, 2004**

**Related U.S. Application Data**

(63) Continuation-in-part of application No. 29/198,942, filed on Feb. 6, 2004, and a continuation-in-part of application No. 29/201,007, filed on Mar. 11, 2004, now abandoned.

(51) **LOC (8) Cl.** ..... **06-01**

(52) **U.S. Cl.** ..... **D6/381**

(58) **Field of Classification Search** ..... D6/334, D6/335, 337, 357, 361, 364, 367, 371, 378, D6/381, 382, 383, 393, 500-503; 297/62-63, 297/38, 118, 232-233, 244-245, 311, 445.1, 297/446.1; 5/12.1, 28, 42

See application file for complete search history.

(56) **References Cited**

**U.S. PATENT DOCUMENTS**

- D126,998 S \* 5/1941 Bersin ..... D6/370
- 2,264,491 A \* 12/1941 Ward ..... 297/233
- D131,276 S \* 2/1942 Henkel et al. .... D6/378
- D181,738 S \* 12/1957 Lubberts et al. .... D6/377

(Continued)

**OTHER PUBLICATIONS**

Design Within Reach, Breuer Nesting Table—Short (Apr. 23, 2004), at <http://www.dwr.com>.

(Continued)

*Primary Examiner*—Sandra Snapp

(74) *Attorney, Agent, or Firm*—Harness, Dickey & Pierce, P.L.C.

(57) **CLAIM**

The ornamental design for a sectional, as shown and described.

**DESCRIPTION**

FIG. 1 is a perspective view illustrating a sectional in accordance with the present invention;

FIG. 2 is a left side view illustrating the sectional of FIG. 1, the right side view being a mirror image thereof;

FIG. 3 is a front view illustrating the sectional of FIG. 1, the back view of the sectional is not illustrated as it forms no part of the present invention;

FIG. 4 is a top view illustrating the sectional of FIG. 1, the bottom of the sectional is not illustrated as it forms no part of the present invention;

FIG. 5 is a perspective view illustrating a furniture piece of the sectional of FIG. 1, separately shown for ease of illustration;

FIG. 6 is a left side view illustrating the furniture piece of FIG. 5, the right side view being a mirror image thereof;

FIG. 7 is a front view illustrating the furniture piece of FIG. 5, the back view of the furniture piece is not illustrated as it forms no part of the present invention;

FIG. 8 is a top view illustrating the furniture piece of FIG. 5, the bottom view of the furniture piece is not illustrated as it forms no part of the present invention;

FIG. 9 is a perspective view illustrating another furniture piece of the sectional of FIG. 1 in accordance with the present invention;

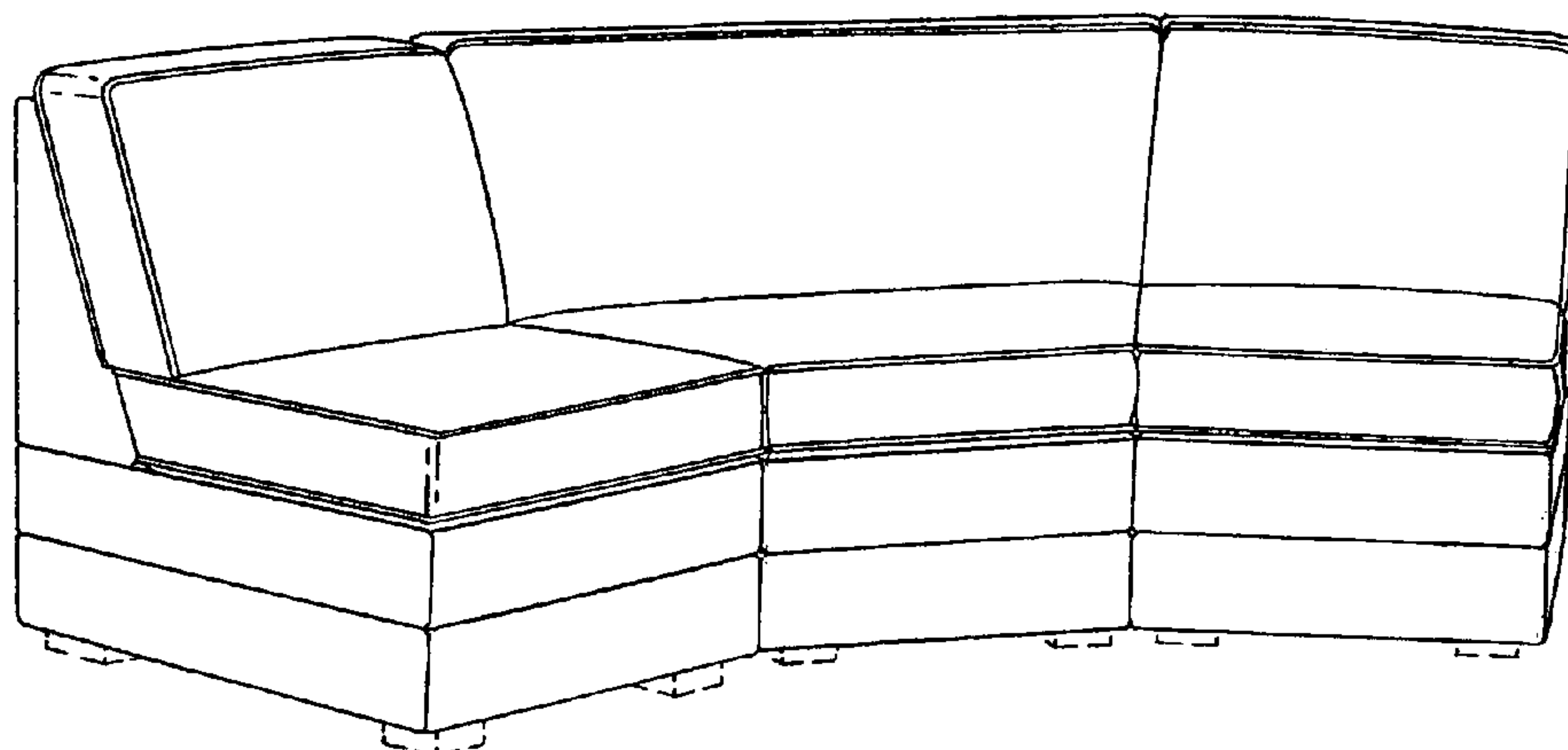
FIG. 10 is a left side view illustrating the furniture piece of FIG. 9, the right side view being a mirror image thereof;

FIG. 11 is a front view illustrating the furniture piece of FIG. 9, the back view of the furniture piece is not illustrated as it forms no part of the present invention; and,

FIG. 12 is a top view illustrating the furniture piece of FIG. 9, the bottom view of the furniture piece is not illustrated as it forms no part of the present invention.

Those portions of the following figures that appear in hidden or phantom lines forms no part of the present invention.

**1 Claim, 6 Drawing Sheets**



# US D547,967 S

Page 2

## U.S. PATENT DOCUMENTS

2,979,122 A \* 4/1961 Knoll ..... 297/446.1  
D240,481 S \* 7/1976 Fister, Jr. .... D6/378  
D257,455 S \* 10/1980 Brooks ..... D6/378  
D261,954 S \* 11/1981 Aronowitz et al. .... D6/364  
D261,955 S \* 11/1981 Aronowitz et al. .... D6/364  
D262,163 S \* 12/1981 Aronowitz et al. .... D6/364  
D264,026 S \* 4/1982 Mascheroni ..... D6/381  
D273,253 S \* 4/1984 Dubbin et al. .... D6/381  
D290,559 S \* 6/1987 Raftery ..... D6/381  
D290,788 S \* 7/1987 Raftery ..... D6/355  
D311,283 S \* 10/1990 Warren ..... D6/378  
D336,377 S \* 6/1993 Gibson ..... D6/334  
D337,002 S \* 7/1993 Gibson ..... D6/378

D366,769 S \* 2/1996 Mabon ..... D6/335  
D388,630 S \* 1/1998 Lowman et al. .... D6/381  
D525,802 S \* 8/2006 Spear ..... D6/381

## OTHER PUBLICATIONS

Design Within Reach, Libre Corner Component—Leather (Apr. 23, 2004), at <http://www.dwr.com>.  
Design Within Reach, Trim Slim Tables S/3 Stainless Steel (Apr. 23, 2004), at <http://www.dwr.com>.  
HermanMiller, Goetz Sofa (Apr. 23, 2004), at <http://hmhome.com>.  
HermanMiller, Eames Walnut Stools (Apr. 23, 2004), at <http://www.hermanmiller.com>.

\* cited by examiner

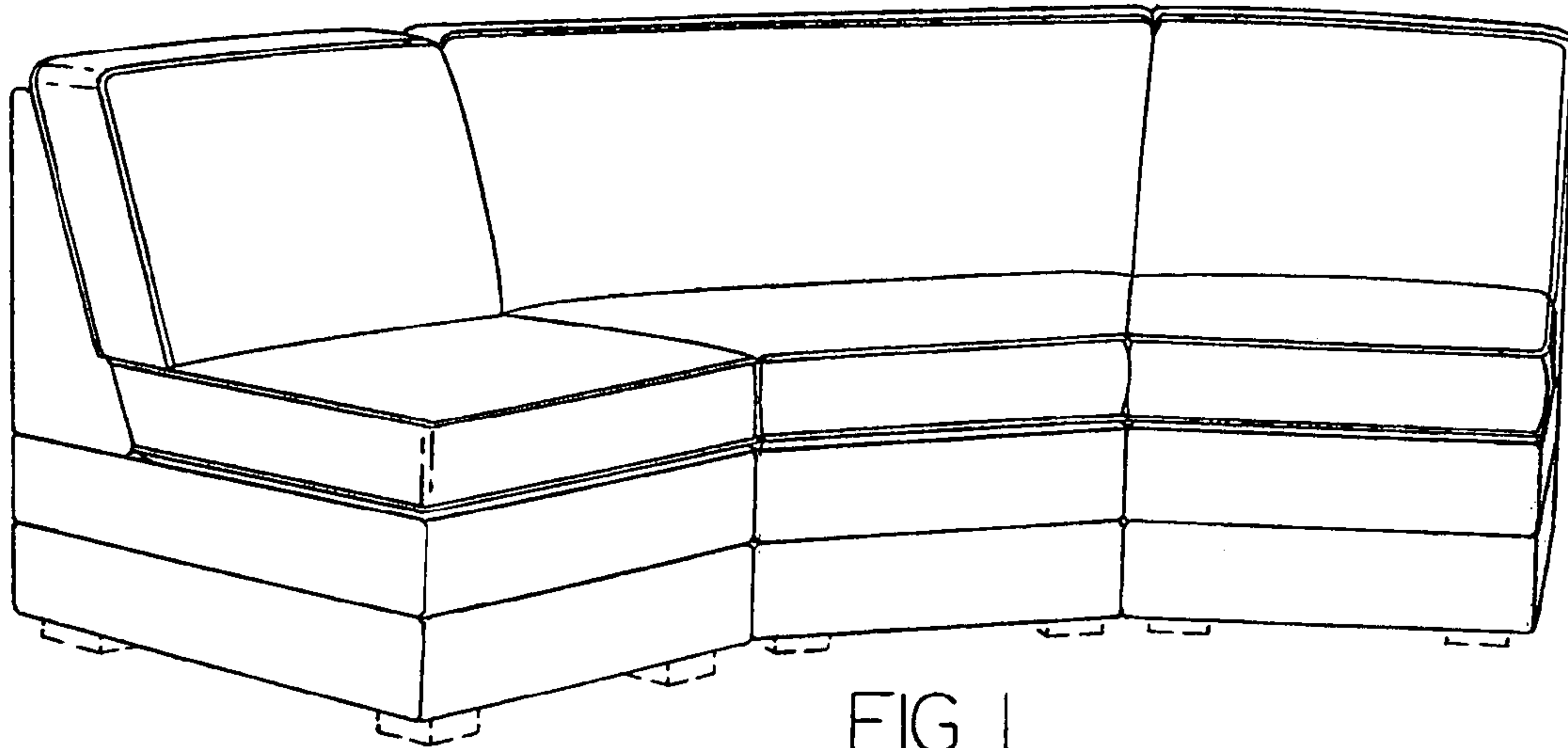


FIG 1

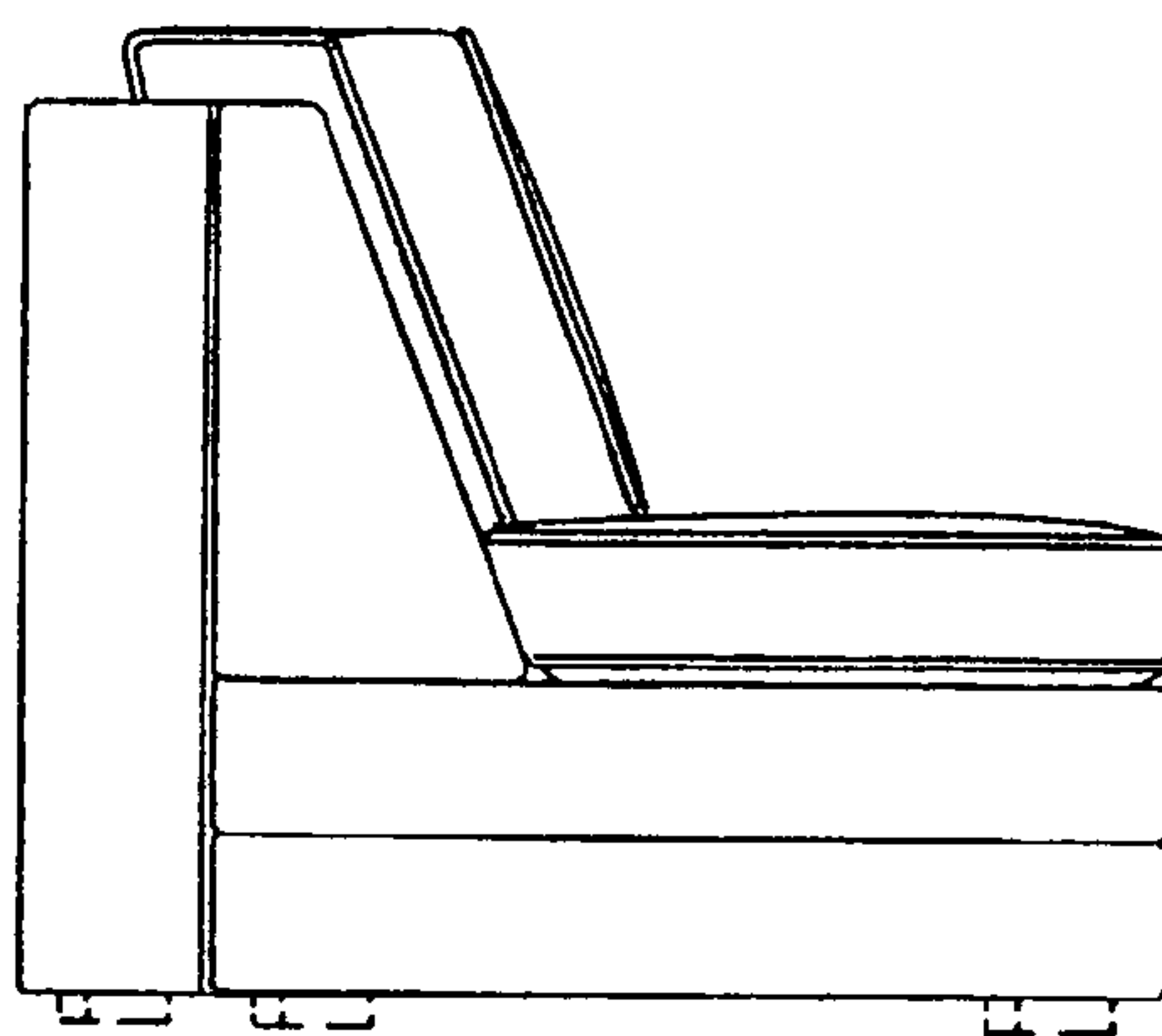


FIG 2

FIG 3

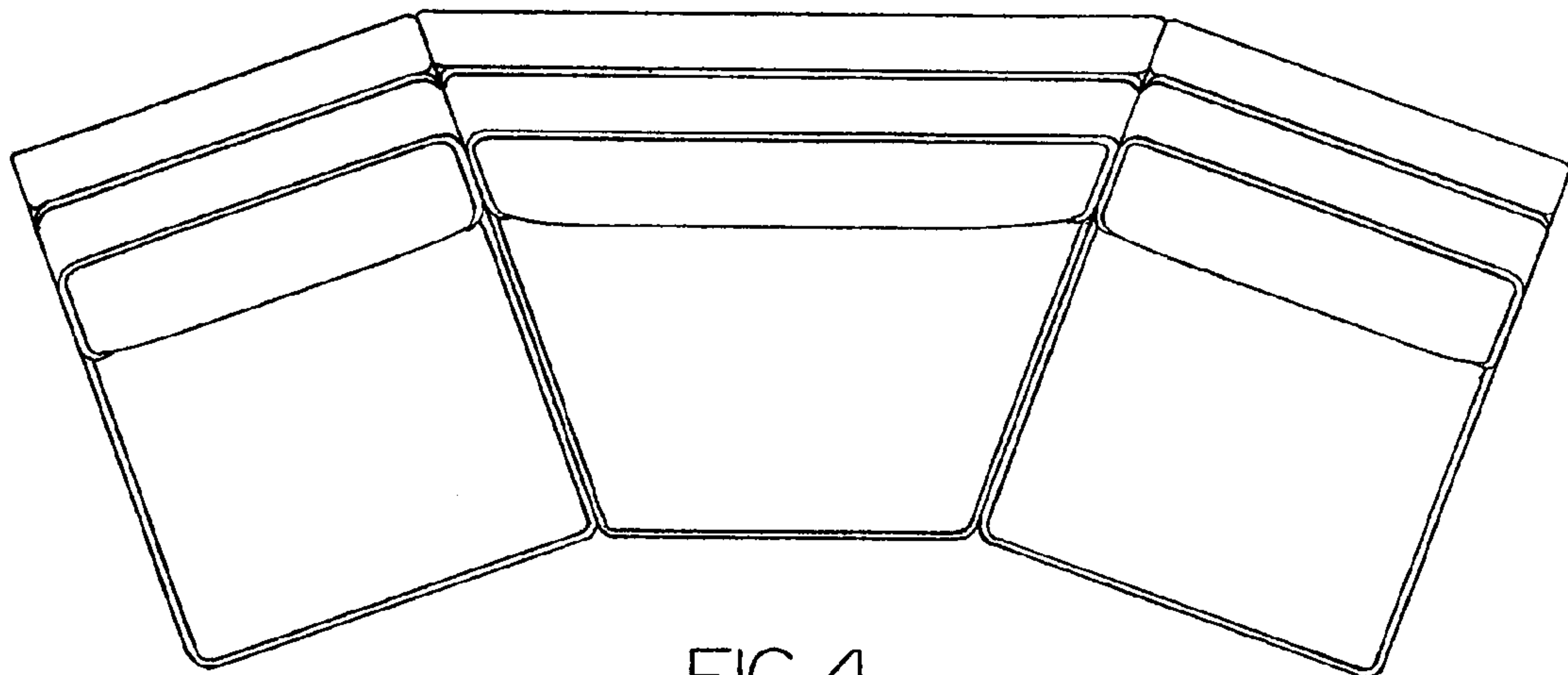
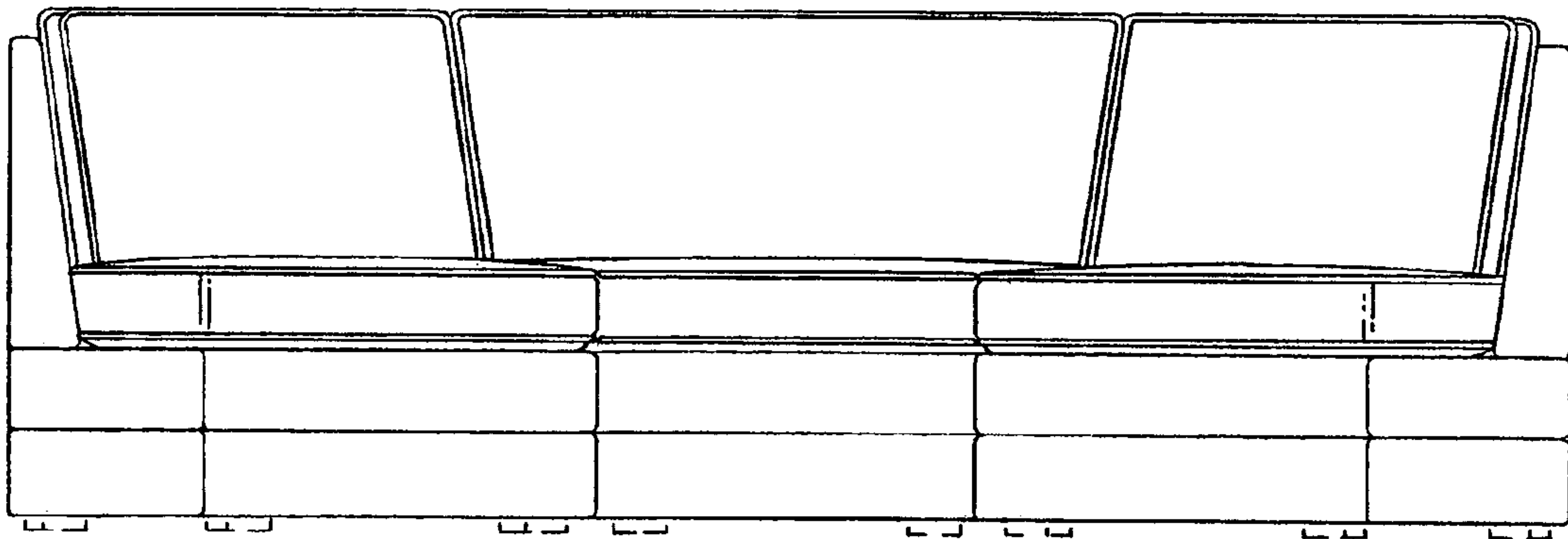


FIG 4

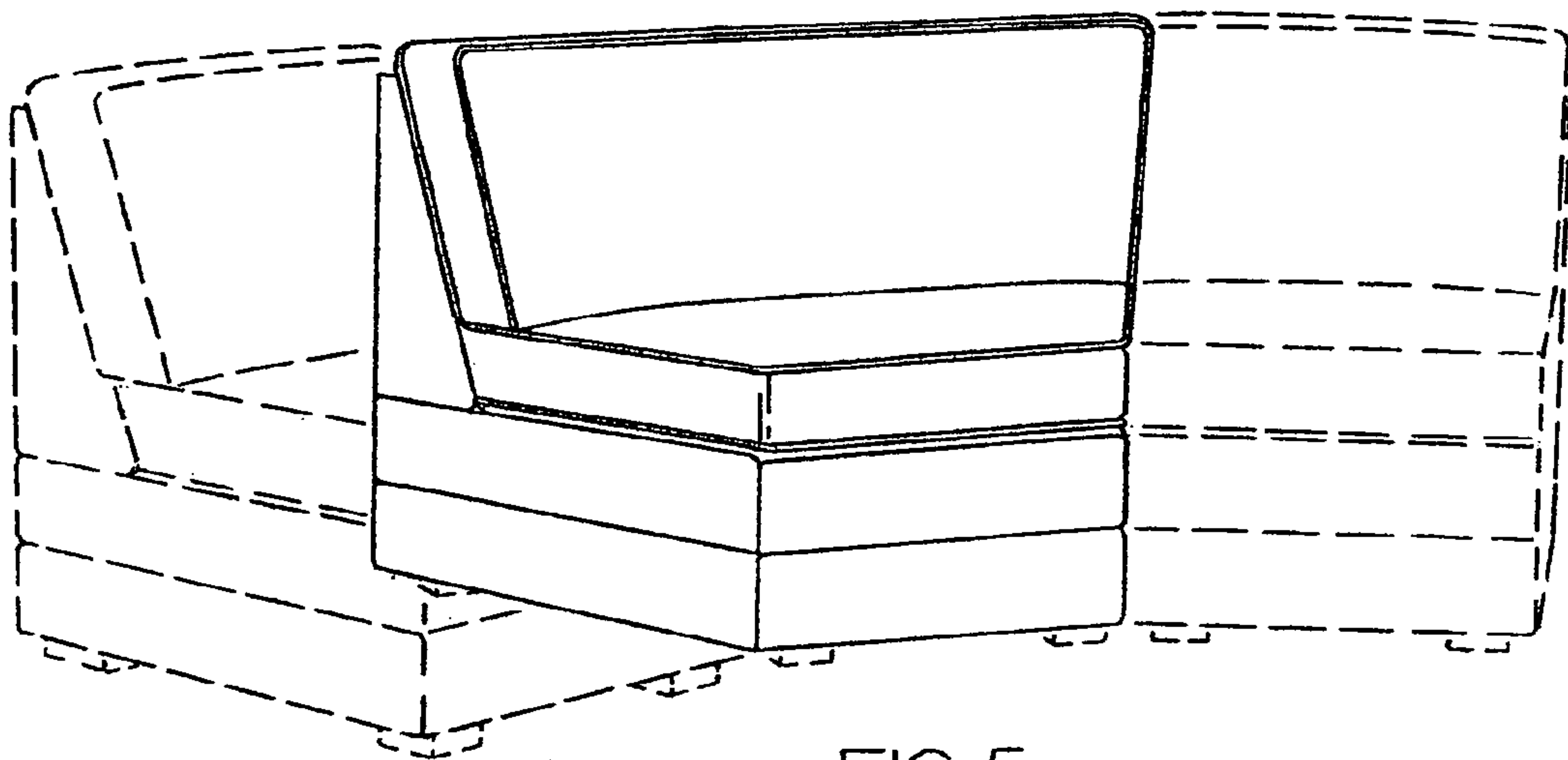


FIG 5

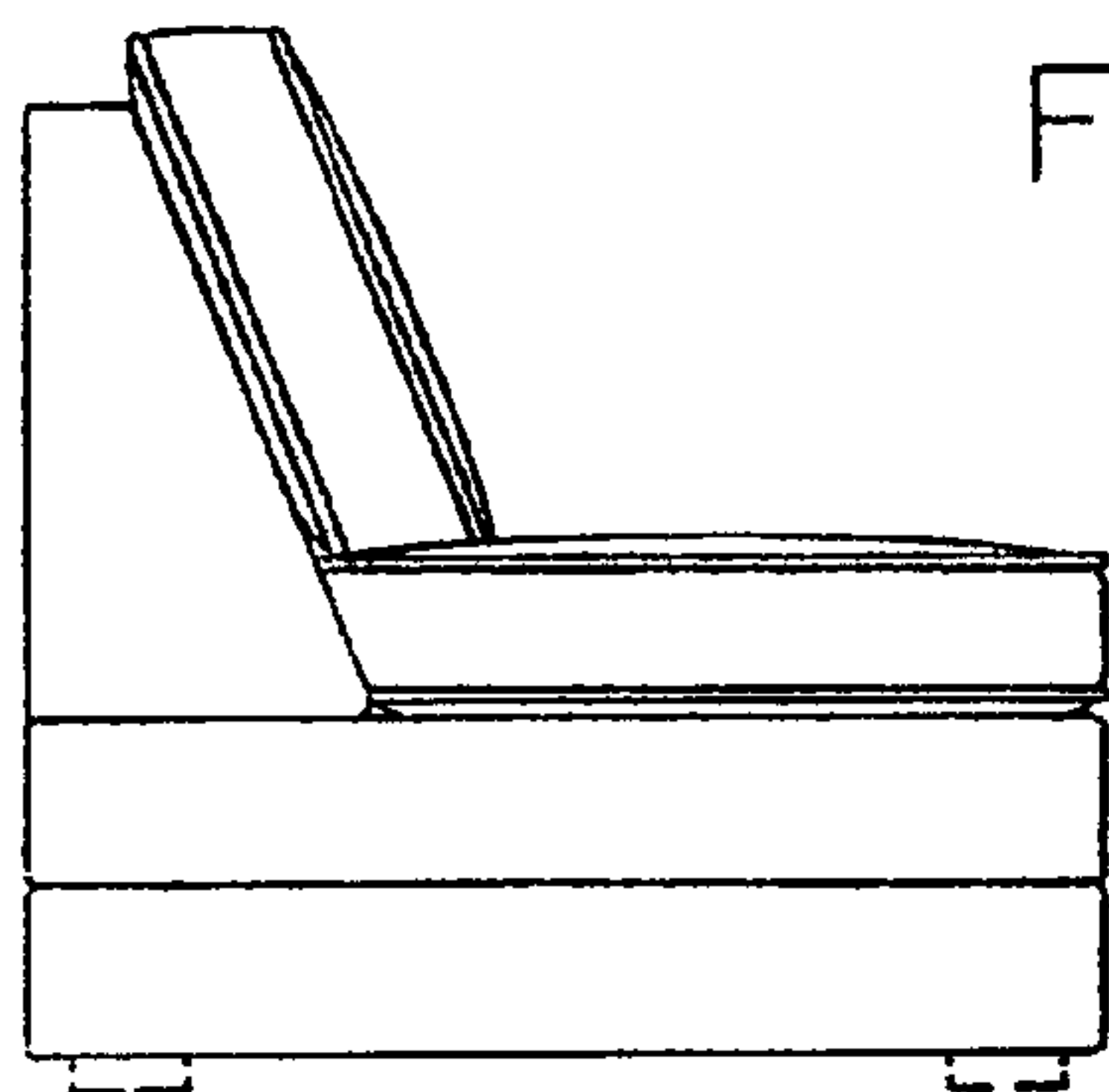


FIG 6

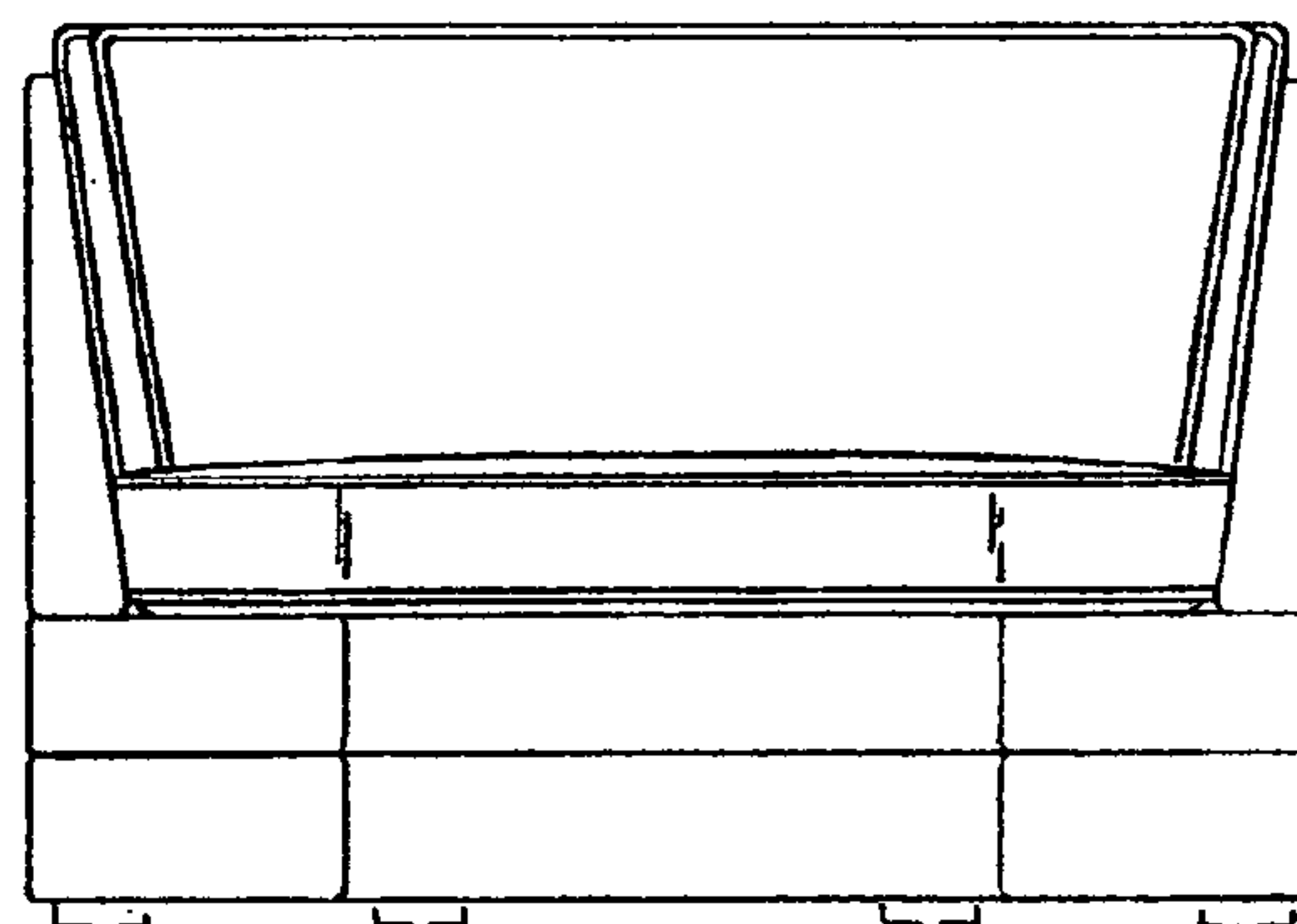


FIG 7

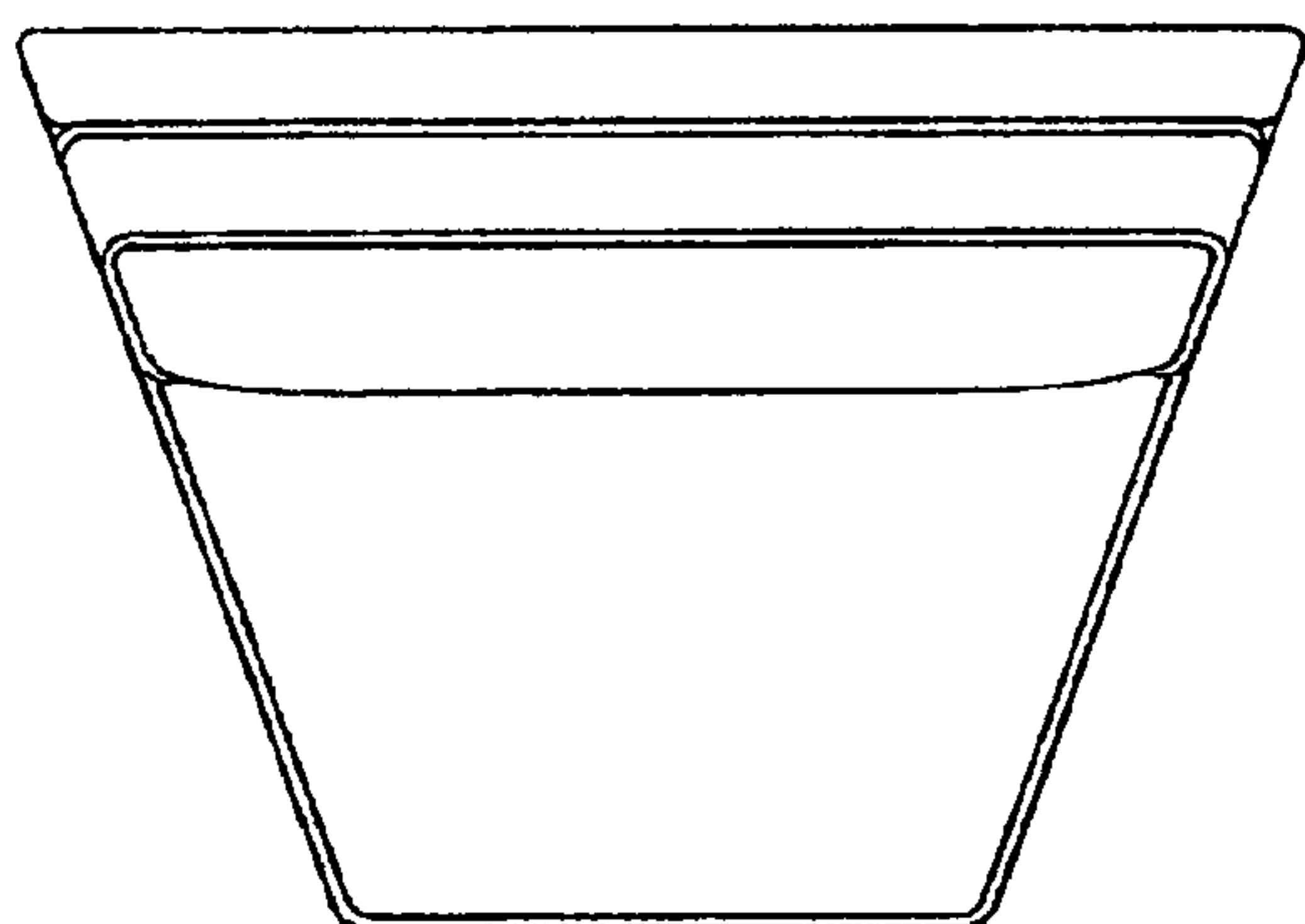


FIG 8



FIG 9

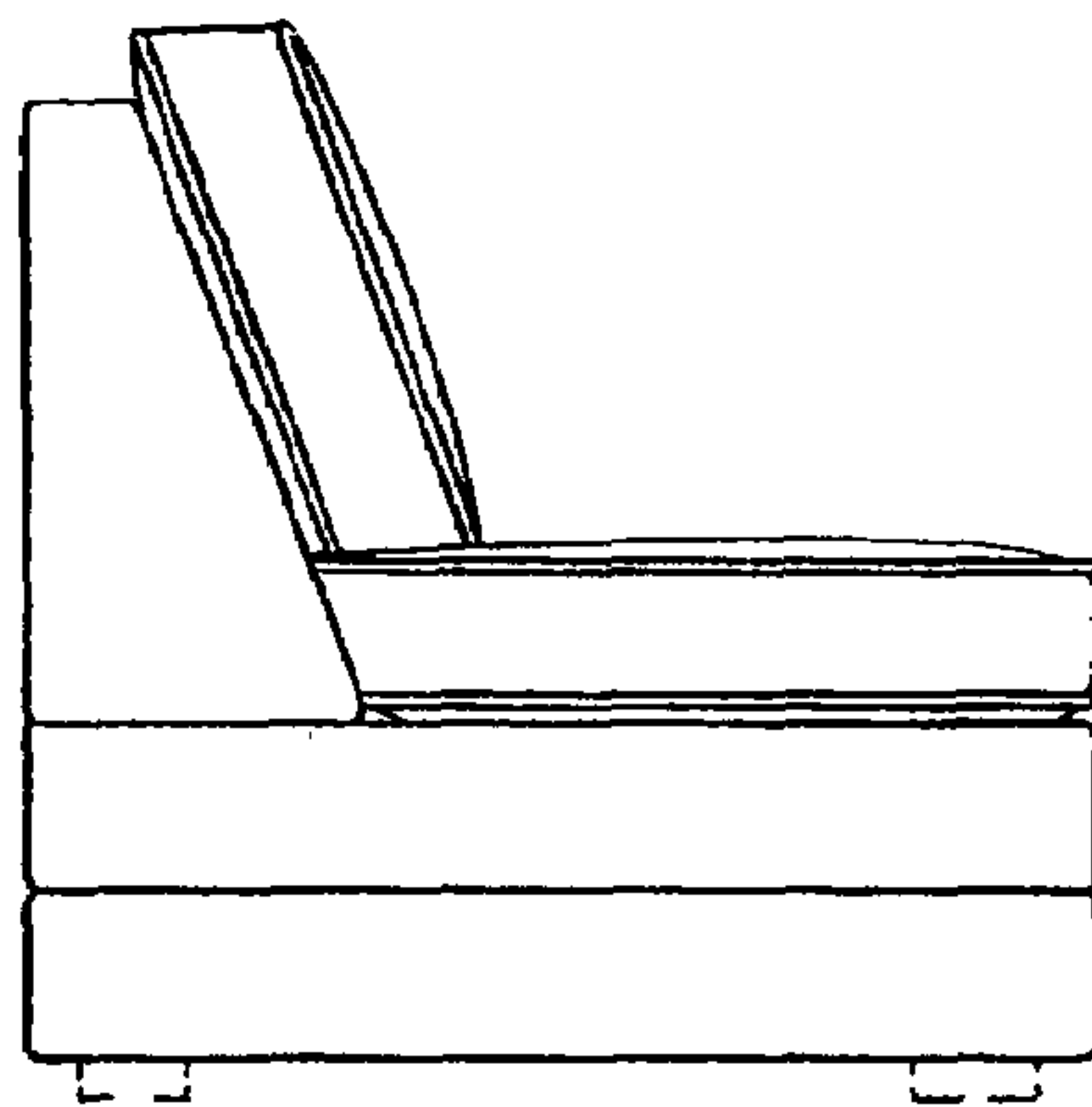
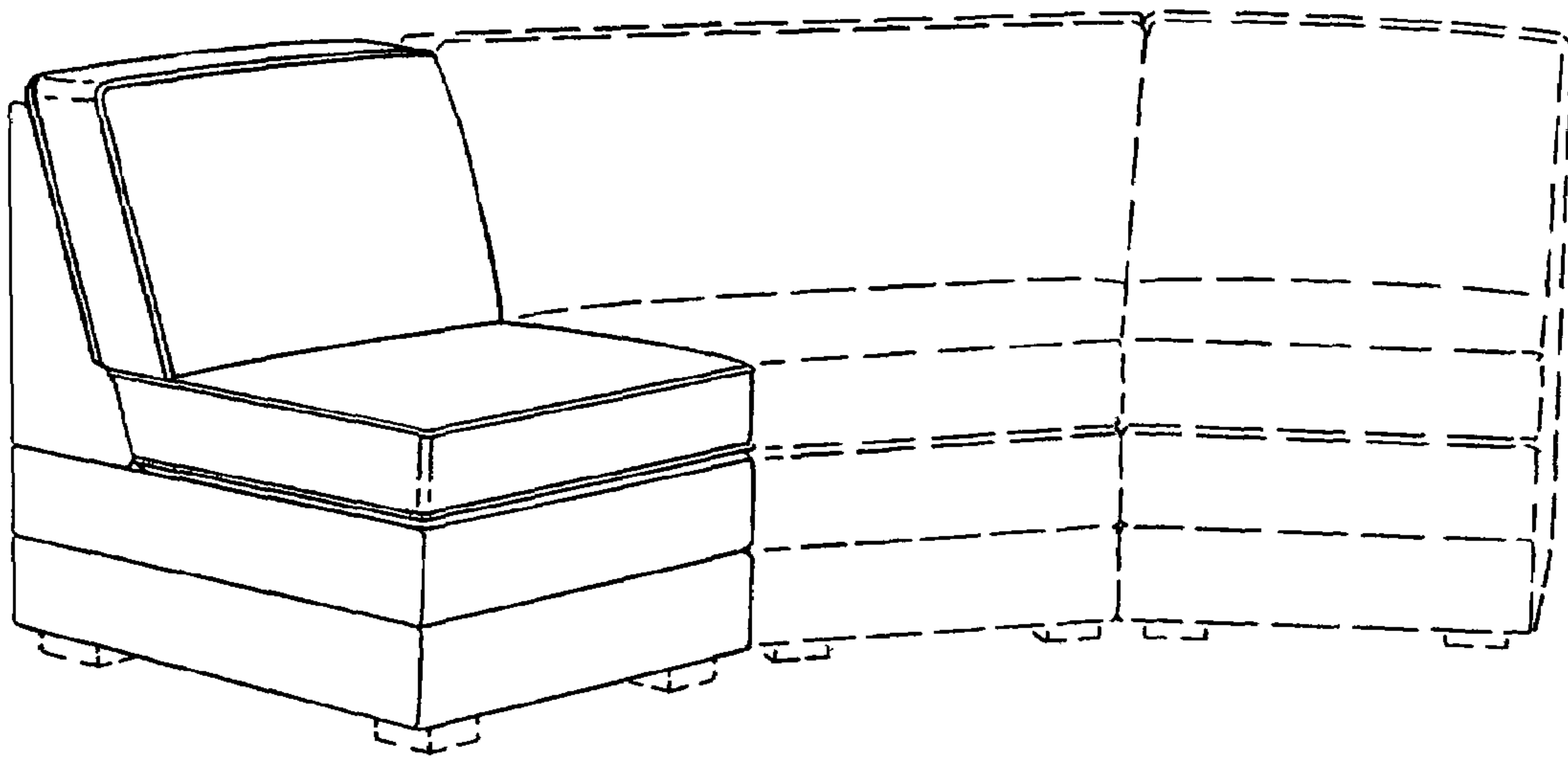


FIG 10

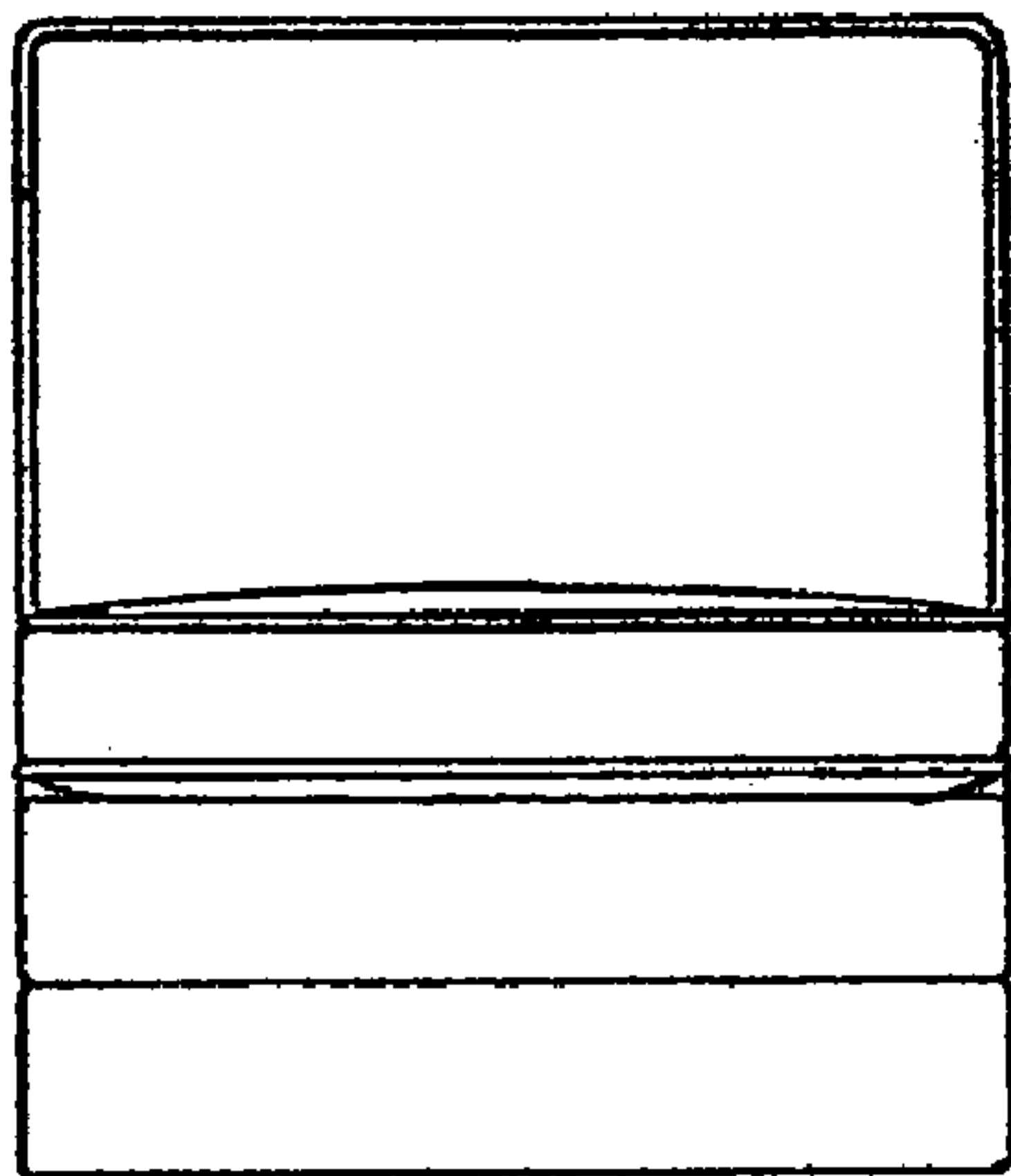


FIG 11

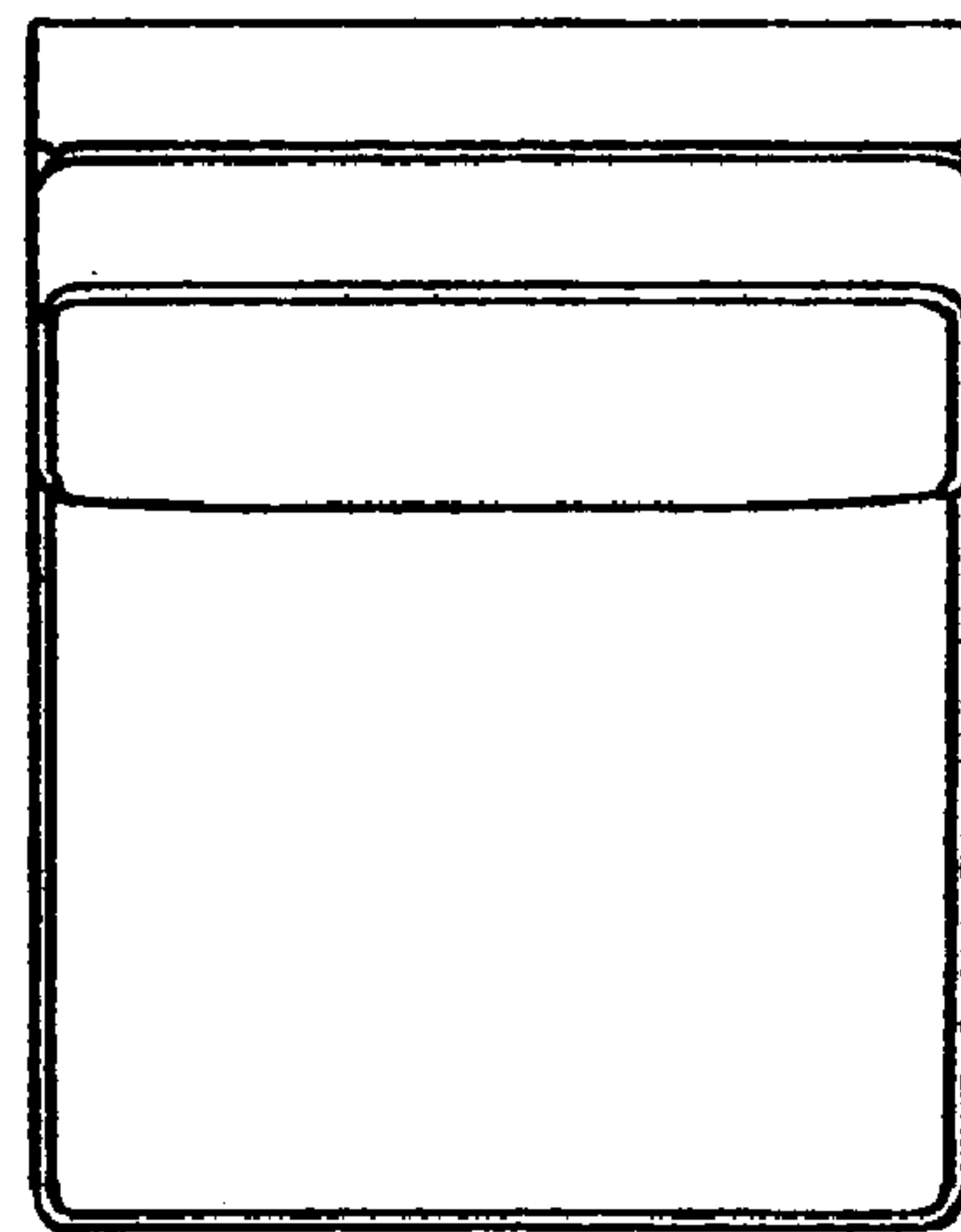


FIG 12