

US00D547964S

(12) **United States Design Patent**
Olano

(10) **Patent No.:** **US D547,964 S**

(45) **Date of Patent:** **** Aug. 7, 2007**

(54) **CHAIR**

(75) Inventor: **Juan Carlos Olano**, Legorreta (ES)

(73) Assignee: **Eredu, S.Coop**, Legorreta (Gipuzkoa) (ES)

(**) Term: **14 Years**

(21) Appl. No.: **29/246,252**

(22) Filed: **Mar. 27, 2006**

(51) **LOC (8) Cl.** **06-01**

(52) **U.S. Cl.** **D6/379**

(58) **Field of Classification Search** D6/334-336,
D6/360, 371-373, 374, 375, 376, 379, 380,
D6/500-502; 297/239, 445.1, 446.1
See application file for complete search history.

(56) **References Cited**

U.S. PATENT DOCUMENTS

- D305,389 S * 1/1990 Bellini D6/379
- D312,005 S * 11/1990 Snodgrass D6/379
- D364,973 S * 12/1995 de Reuver D6/375
- D405,620 S * 2/1999 Koepke et al. D6/379

- D417,970 S * 12/1999 Duffy et al. D6/379
- D436,751 S * 1/2001 Schacht D6/379
- D440,423 S * 4/2001 Frinier D6/379

* cited by examiner

Primary Examiner—Mimosa De

(74) *Attorney, Agent, or Firm*—Lucas & Mercanti, LLP

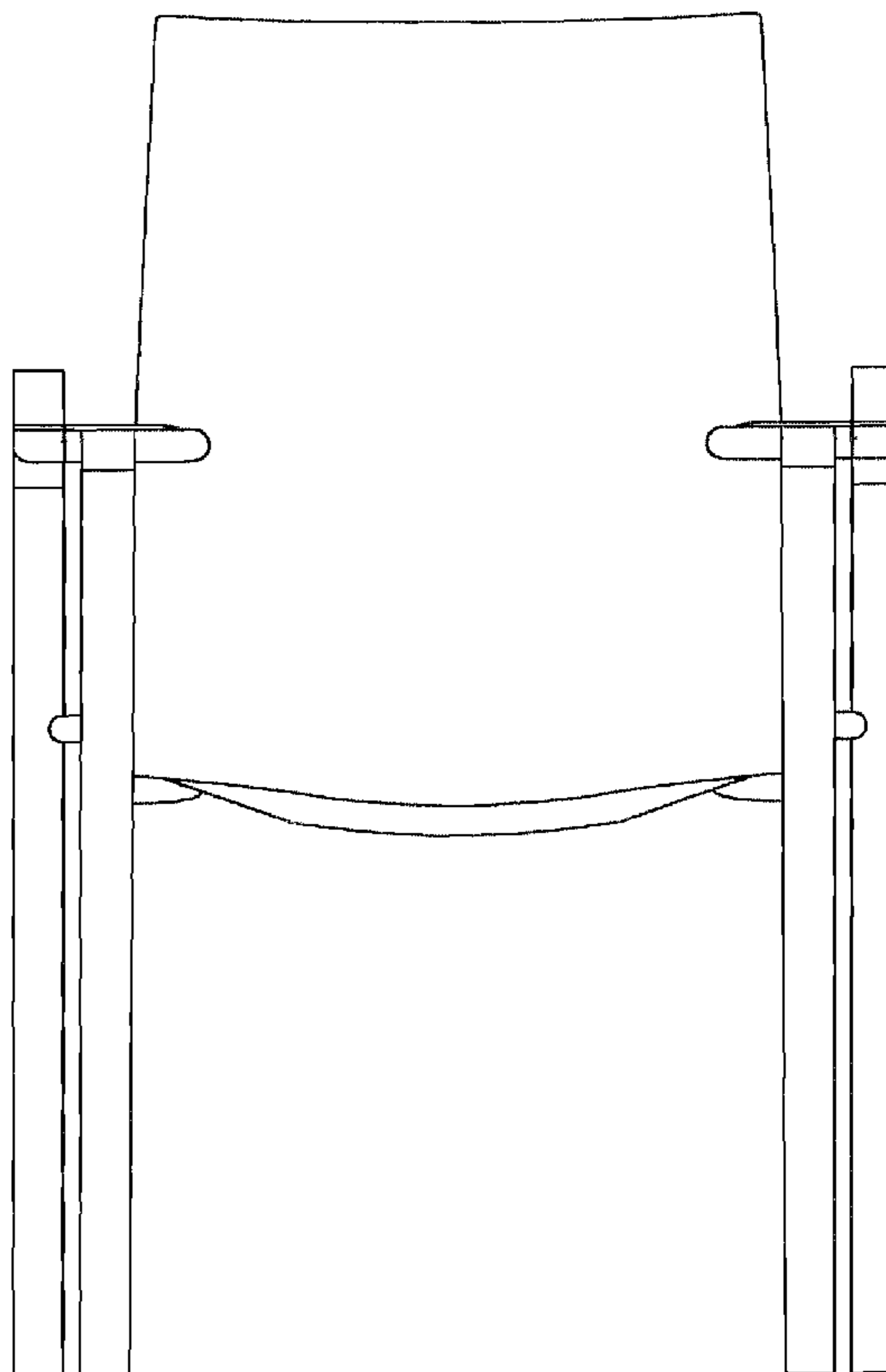
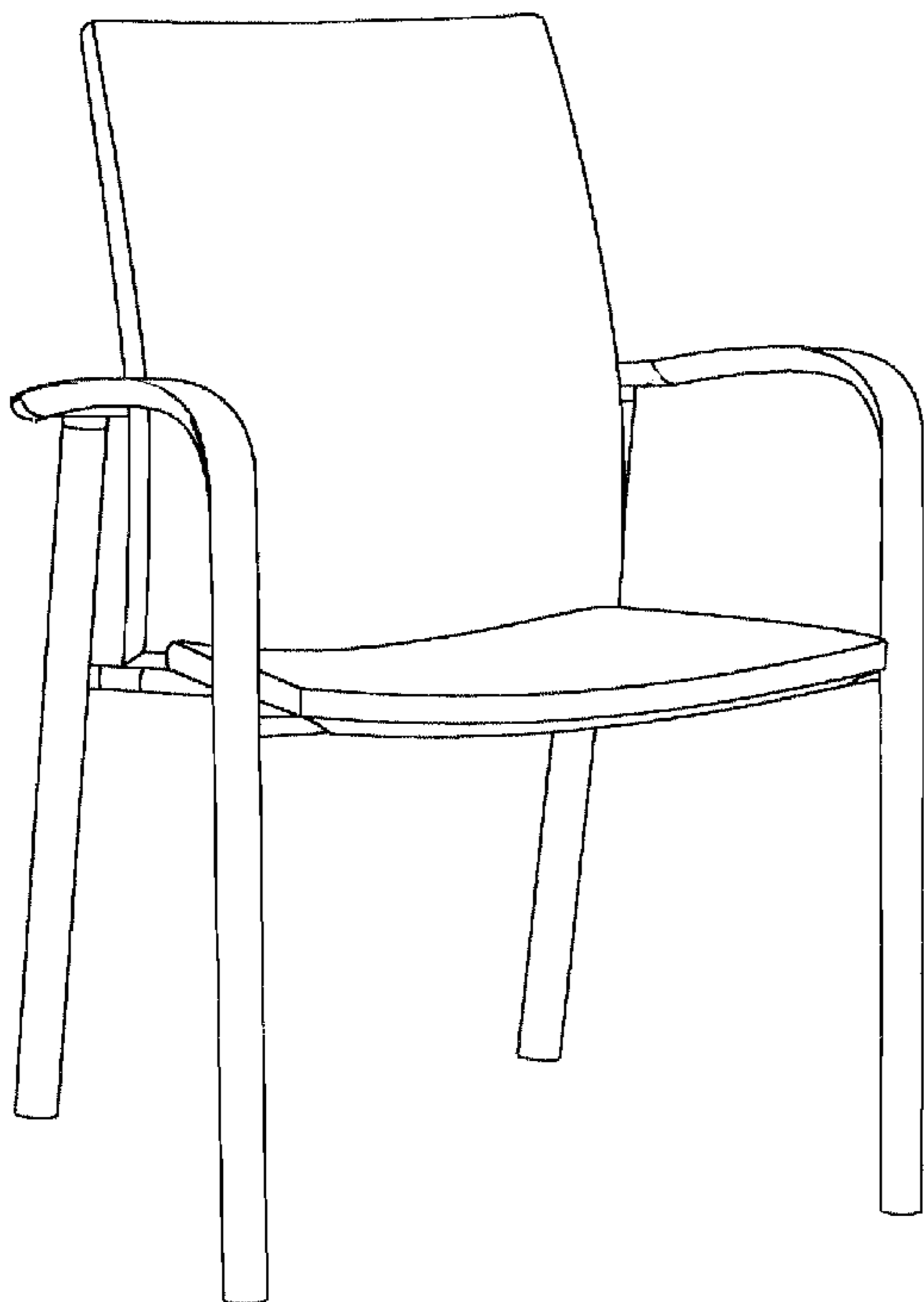
(57) **CLAIM**

The ornamental design for a chair, substantially as shown and described.

DESCRIPTION

FIG. 1 is a perspective view of my chair design.
 FIG. 2 is a front view of my chair design;
 FIG. 3 is a back view of my chair design;
 FIG. 4 is a right-side view of my chair design;
 FIG. 5 is a left-side view of my chair design;
 FIG. 6 is a top view of my chair design; and,
 FIG. 7 is a bottom view of my chair design.

1 Claim, 7 Drawing Sheets



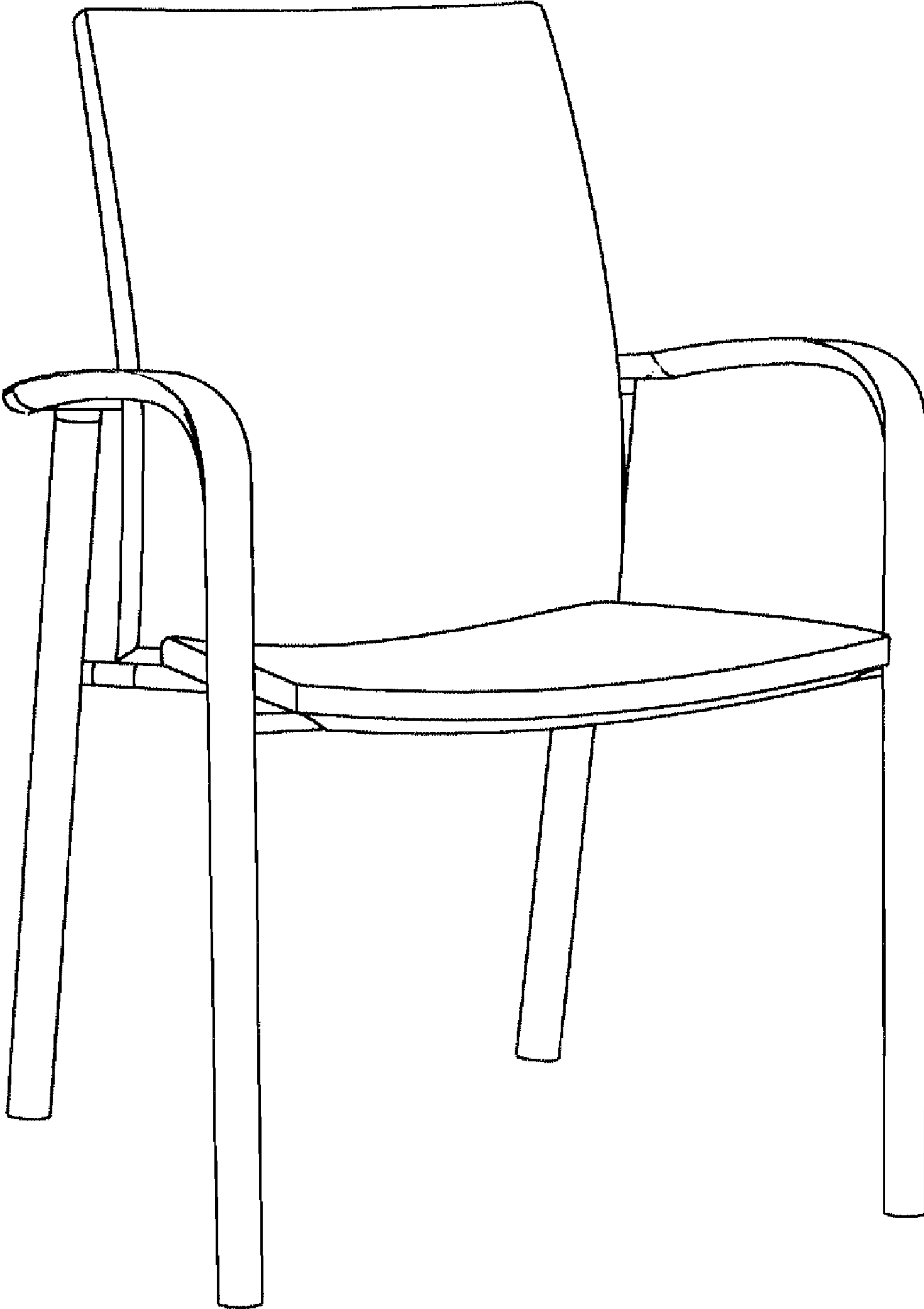


Fig. 1

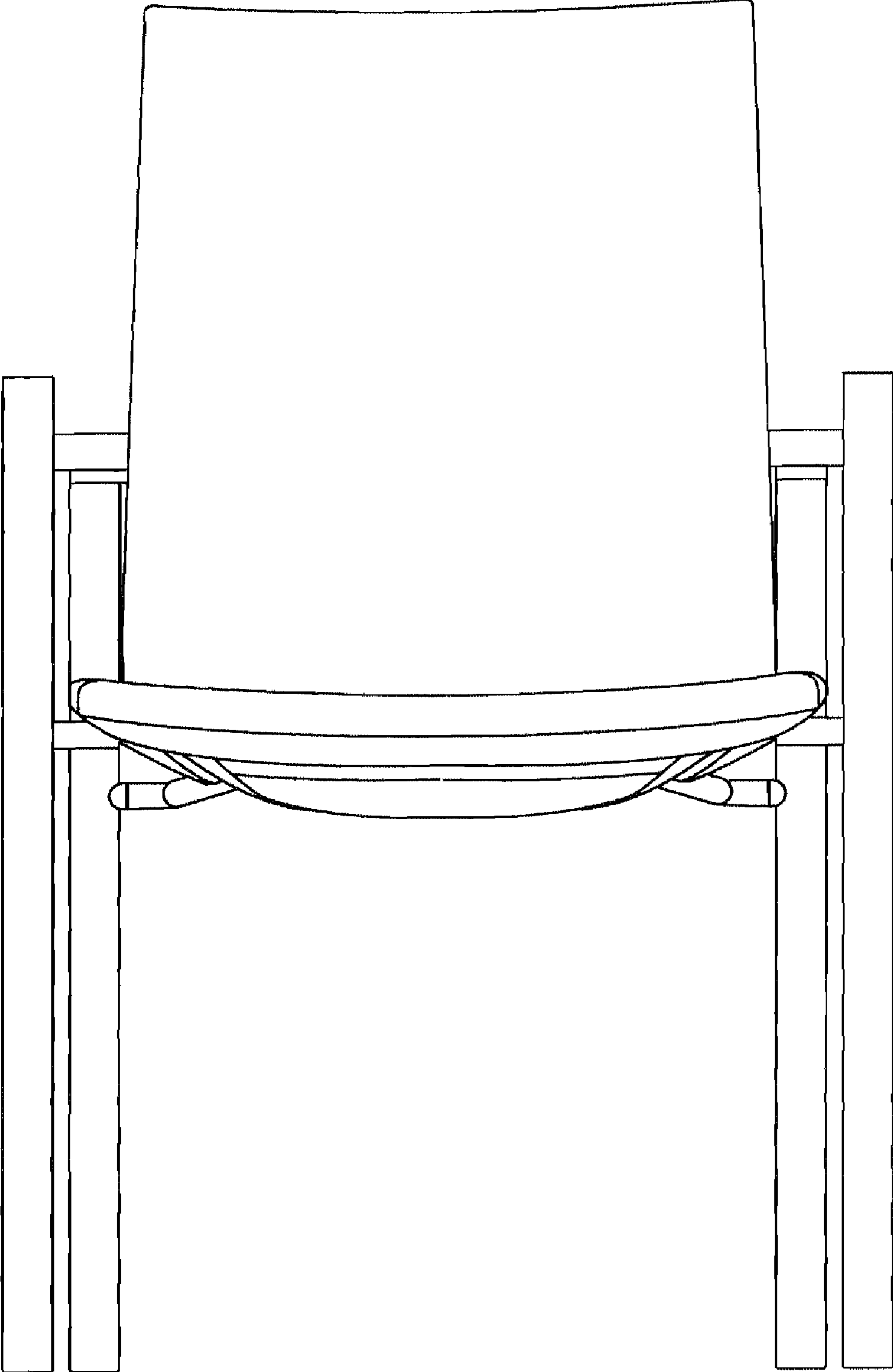


Fig. 2

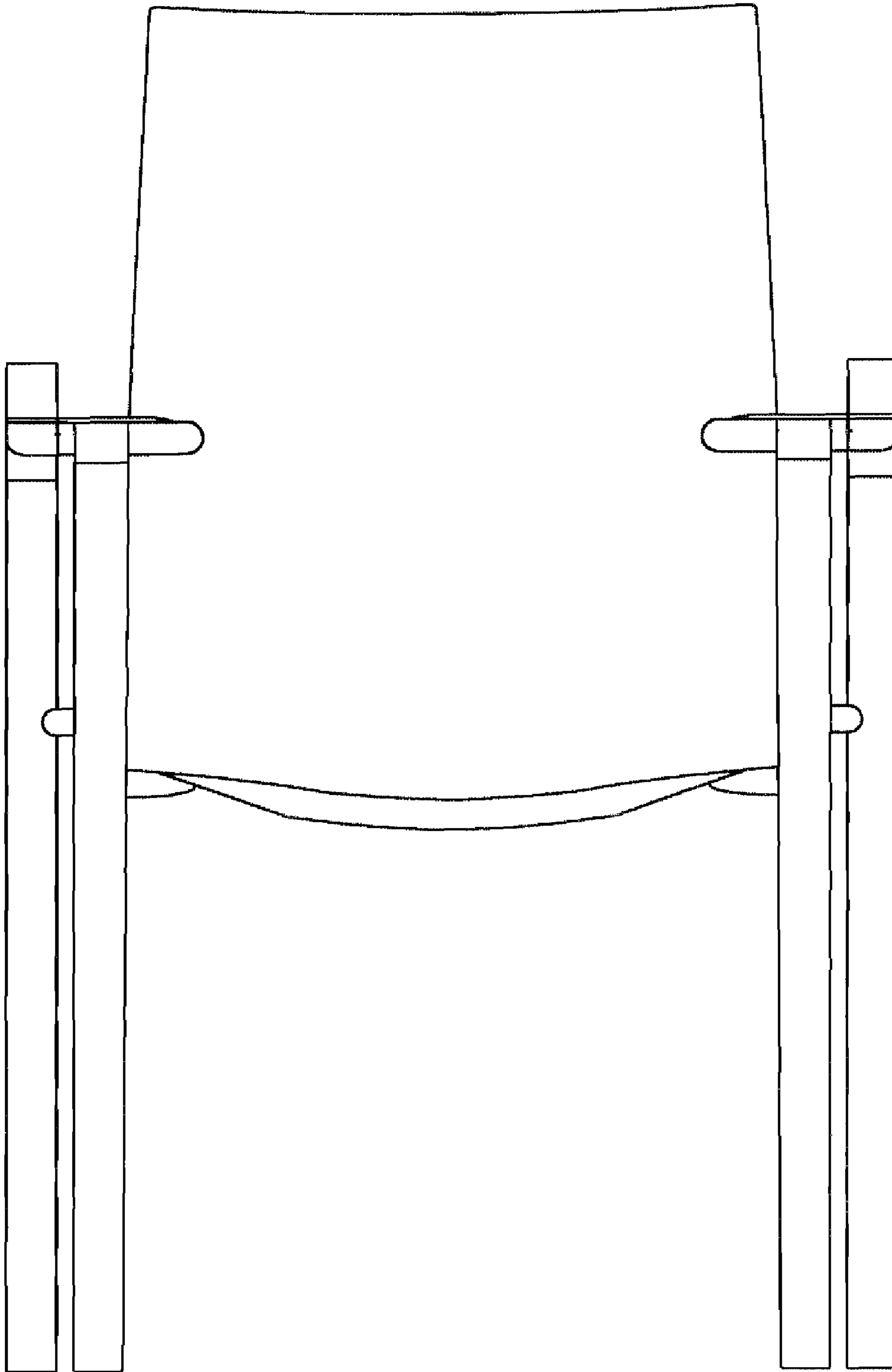


Fig. 3

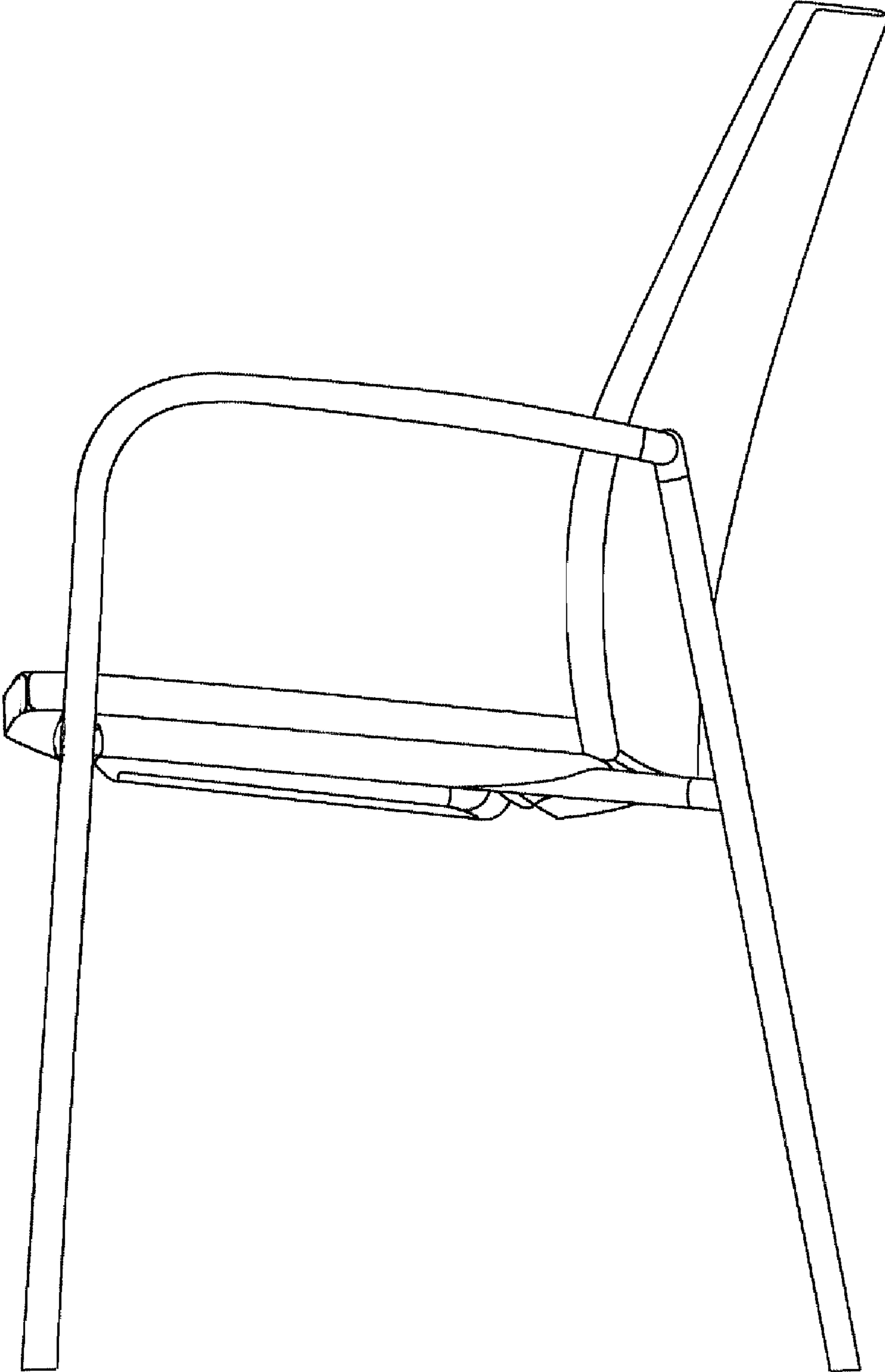


Fig. 4

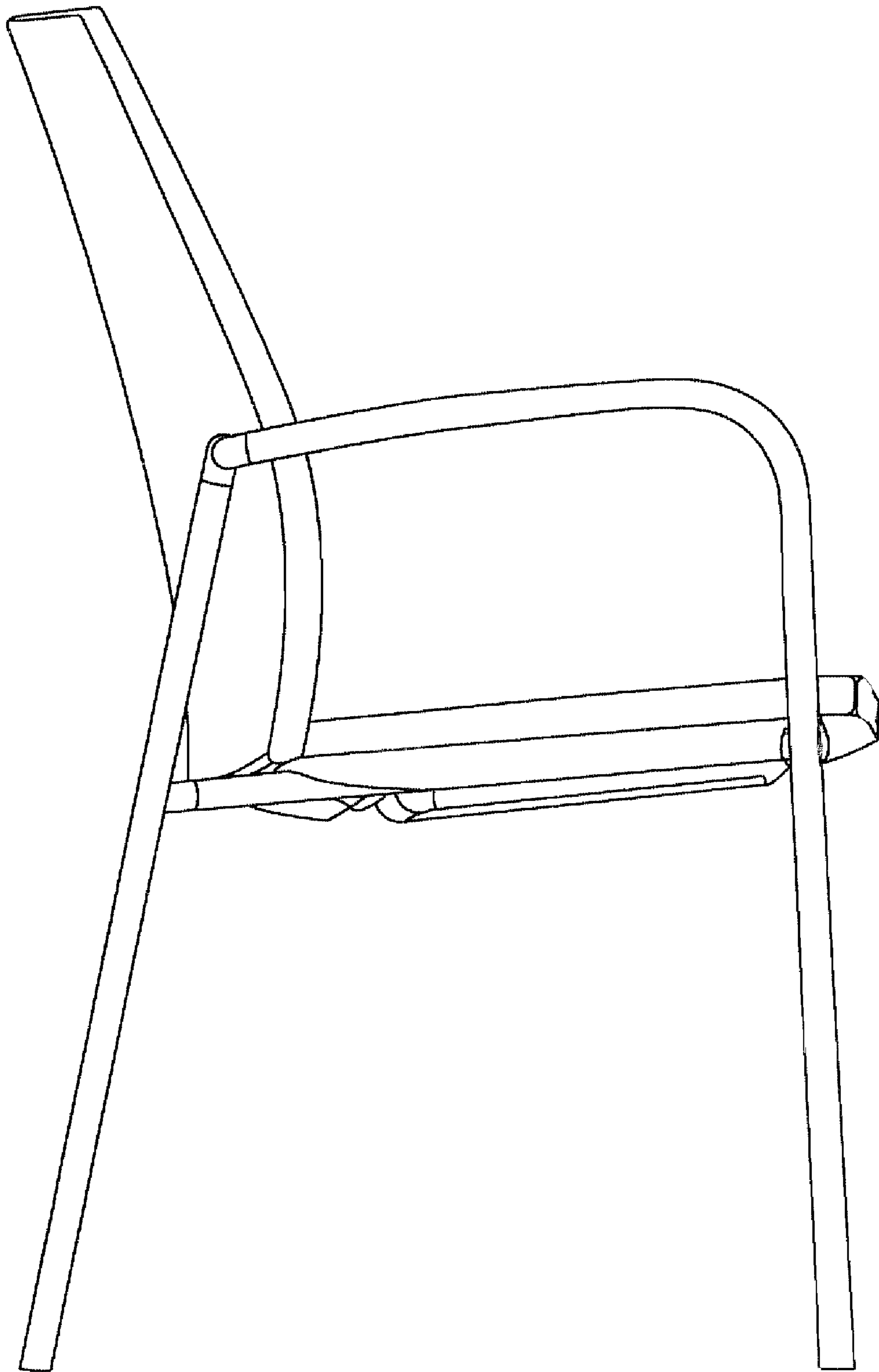


Fig. 5

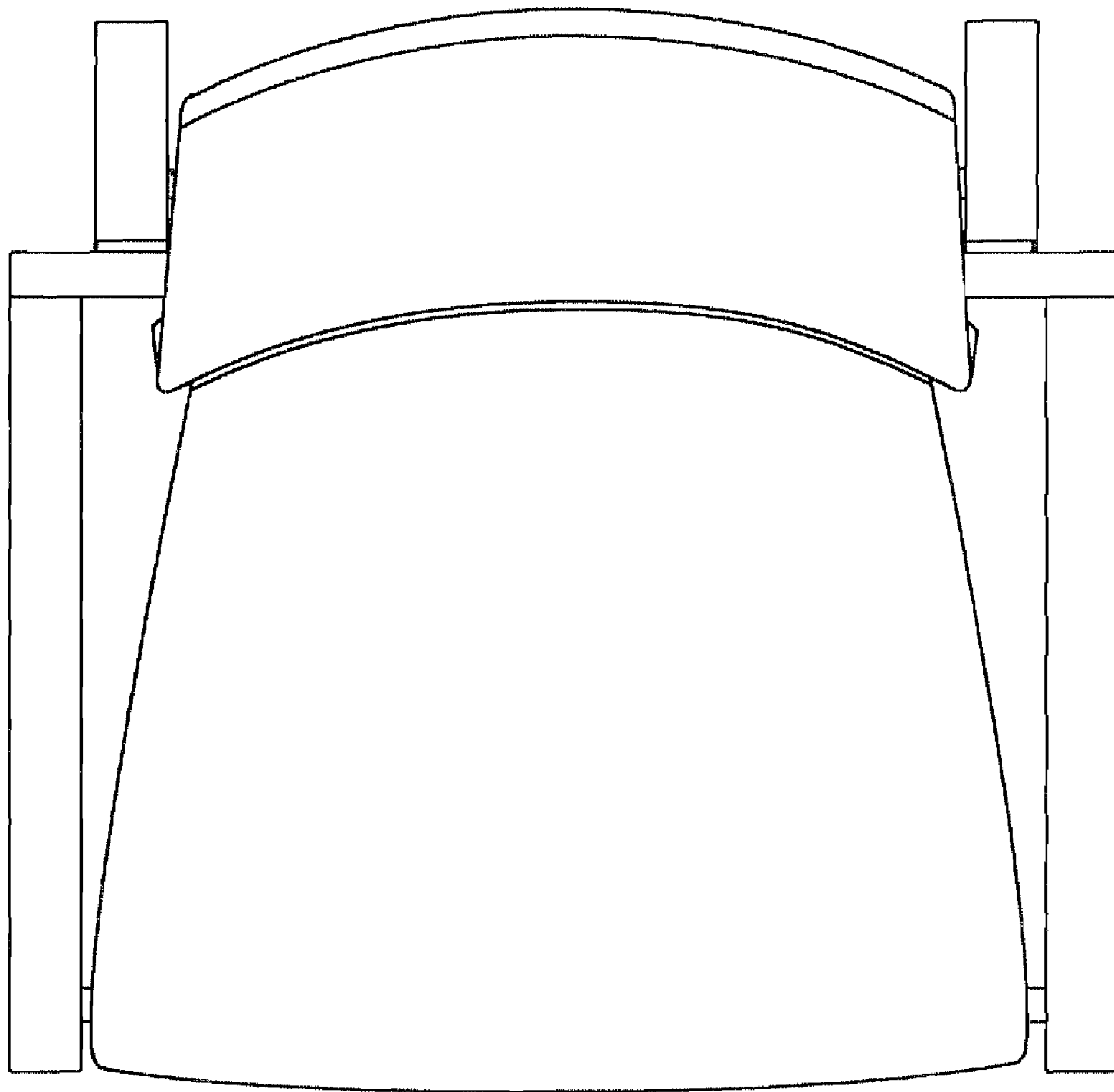


Fig. 6

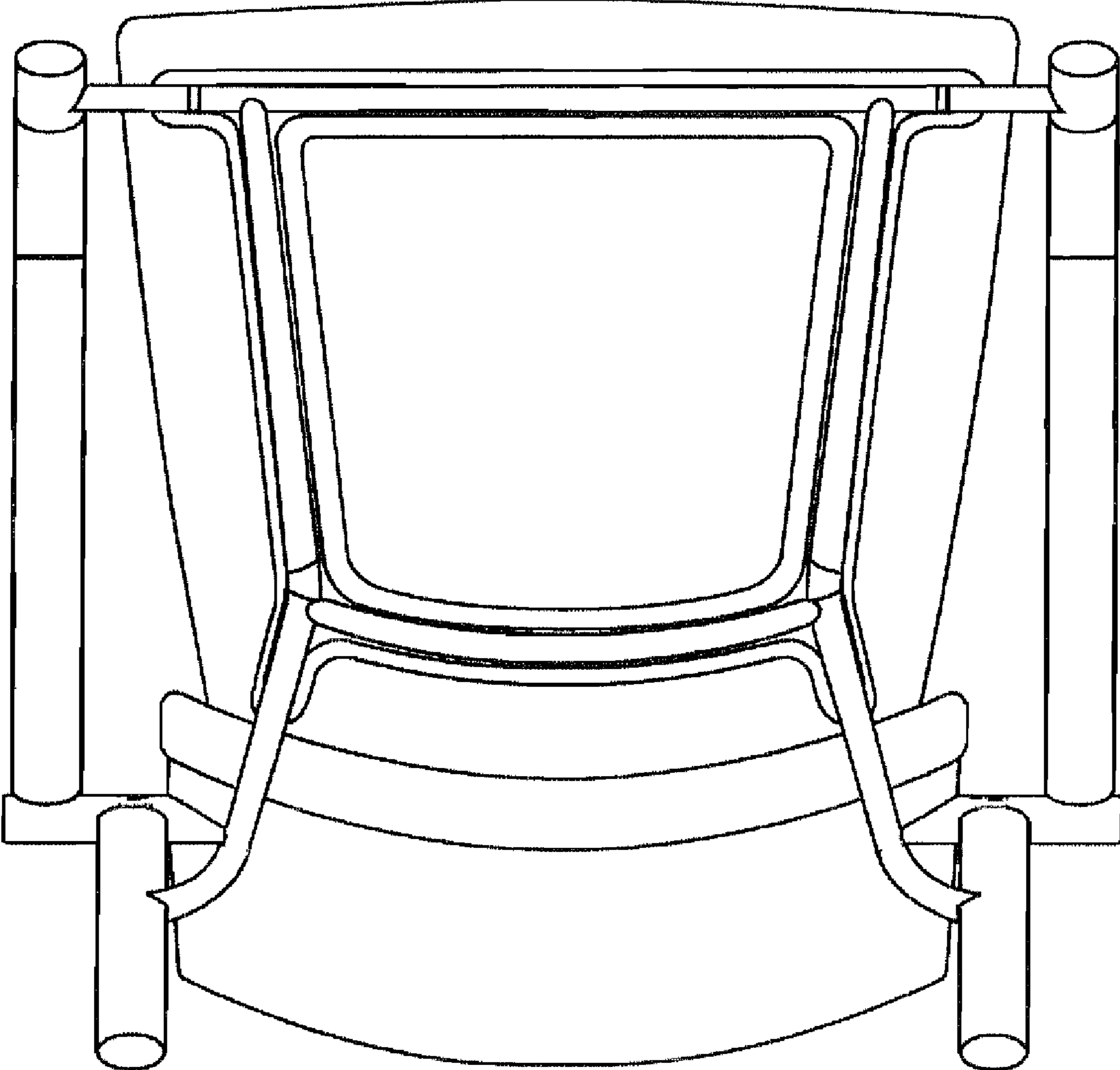


Fig. 7