

US00D547963S

(12) **United States Design Patent**  
**Olano**

(10) **Patent No.:** **US D547,963 S**

(45) **Date of Patent:** **\*\* Aug. 7, 2007**

(54) **CHAIR**

D449,459 S \* 10/2001 Diez Mintegi ..... D6/374  
D459,604 S \* 7/2002 Piretti ..... D6/380

(75) Inventor: **Juan Carlos Olano**, Legorreta (ES)

\* cited by examiner

(73) Assignee: **S. Coop Eredu**, Legorreta (Gipuzkoa) (ES)

*Primary Examiner*—Mimosa De

(74) *Attorney, Agent, or Firm*—Lucas & Mercanti, LLP

(\*\*) Term: **14 Years**

(21) Appl. No.: **29/246,251**

(57) **CLAIM**

(22) Filed: **Mar. 27, 2006**

The ornamental design for a chair, substantially as shown and described.

(51) **LOC (8) Cl.** ..... **06-01**

(52) **U.S. Cl.** ..... **D6/379**

(58) **Field of Classification Search** ..... D6/334–336,  
D6/360, 371–373, 374, 375, 376, 379, 380,  
D6/500–502; 297/239, 445.1, 446.1  
See application file for complete search history.

**DESCRIPTION**

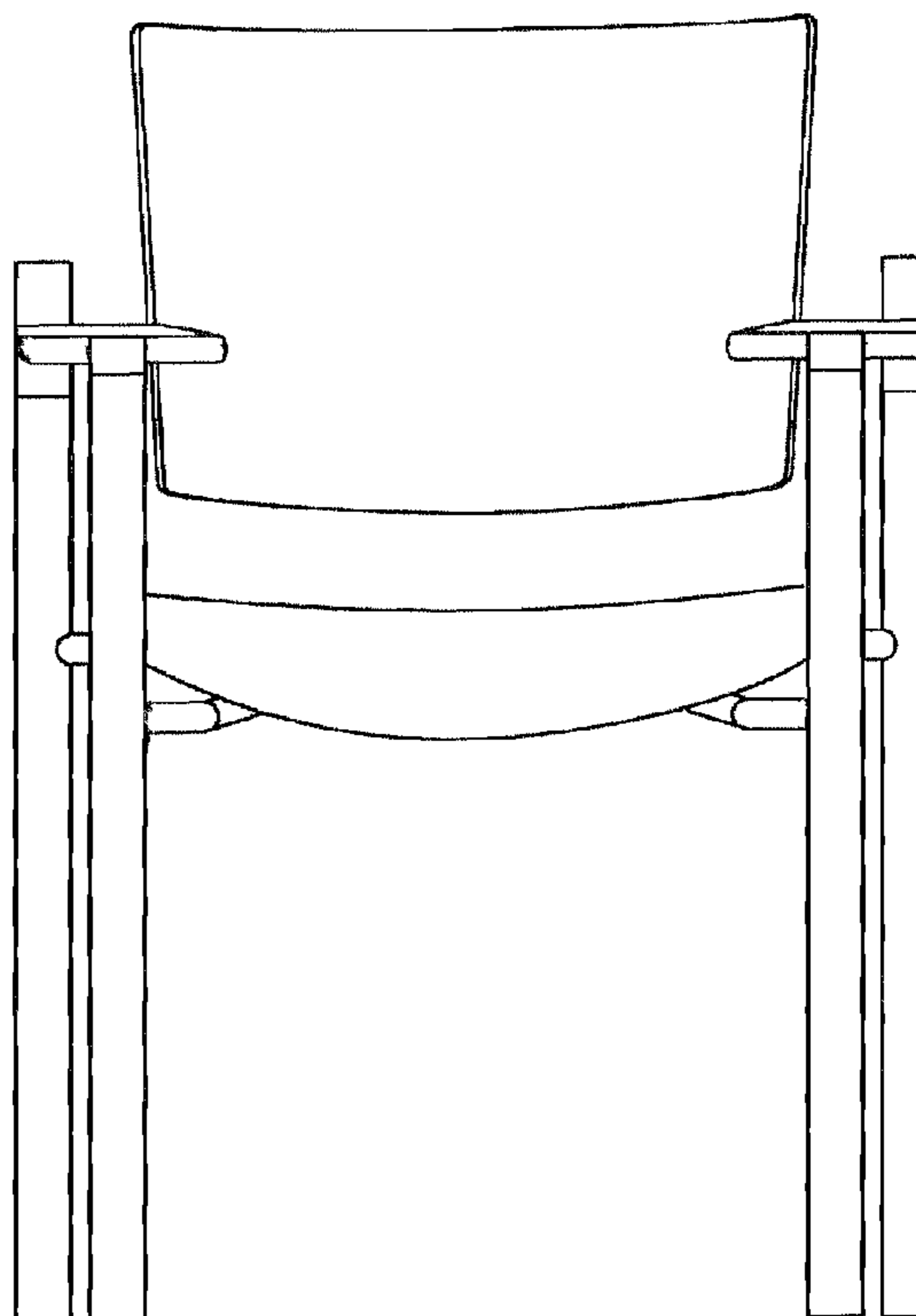
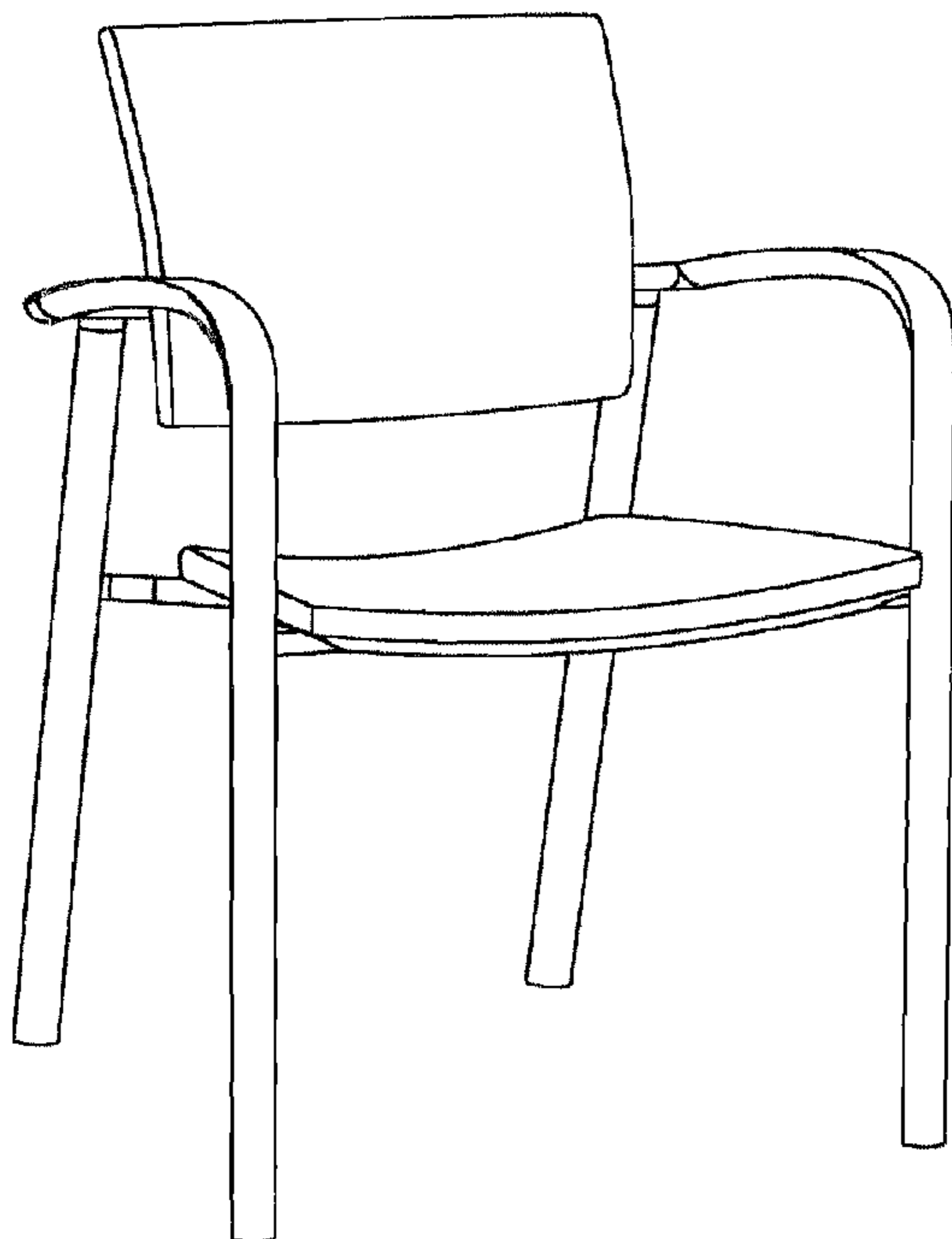
FIG. 1 is a perspective view of my chair design.  
FIG. 2 is a front view of my chair design;  
FIG. 3 is a back view of my chair design;  
FIG. 4 is a right-side view of my chair design;  
FIG. 5 is a left-side view of my chair design;  
FIG. 6 is a top view of my chair design; and,  
FIG. 7 is a bottom view of my chair design.

(56) **References Cited**

**U.S. PATENT DOCUMENTS**

2,709,485 A \* 5/1955 Haven ..... 297/446.1  
D313,514 S \* 1/1991 Zakharov ..... D6/360  
D436,751 S \* 1/2001 Schacht ..... D6/379

**1 Claim, 7 Drawing Sheets**



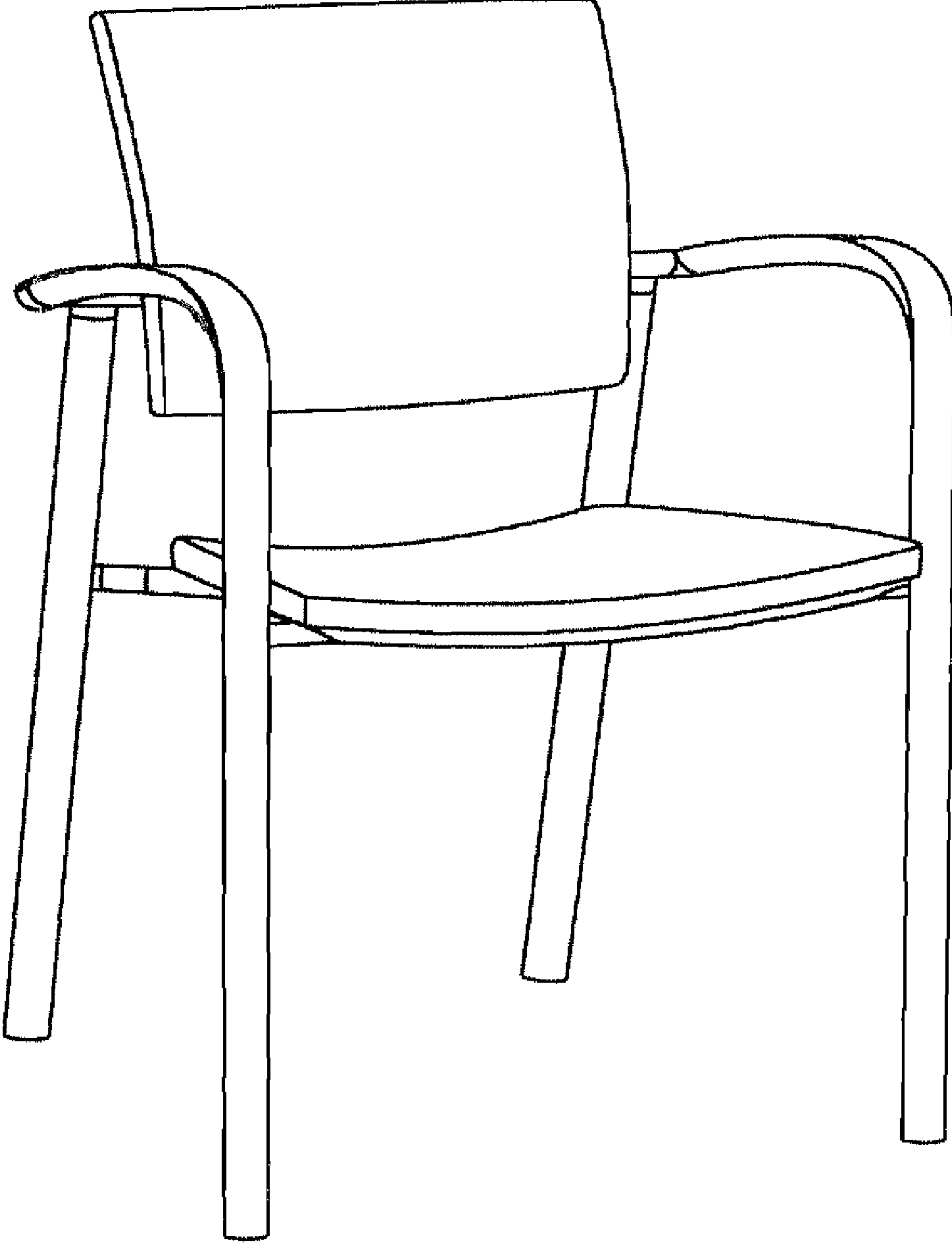


Fig. 1

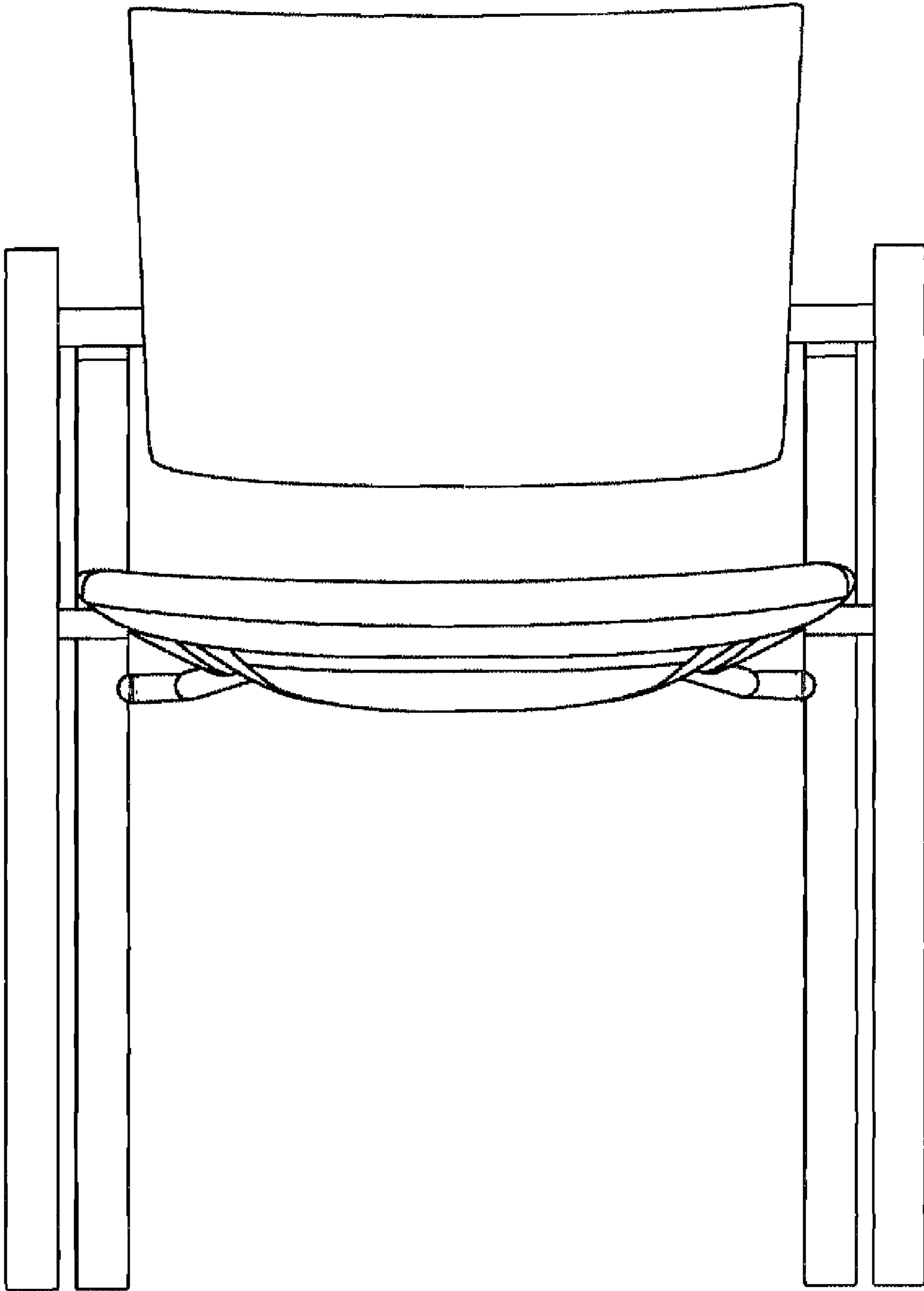


Fig. 2

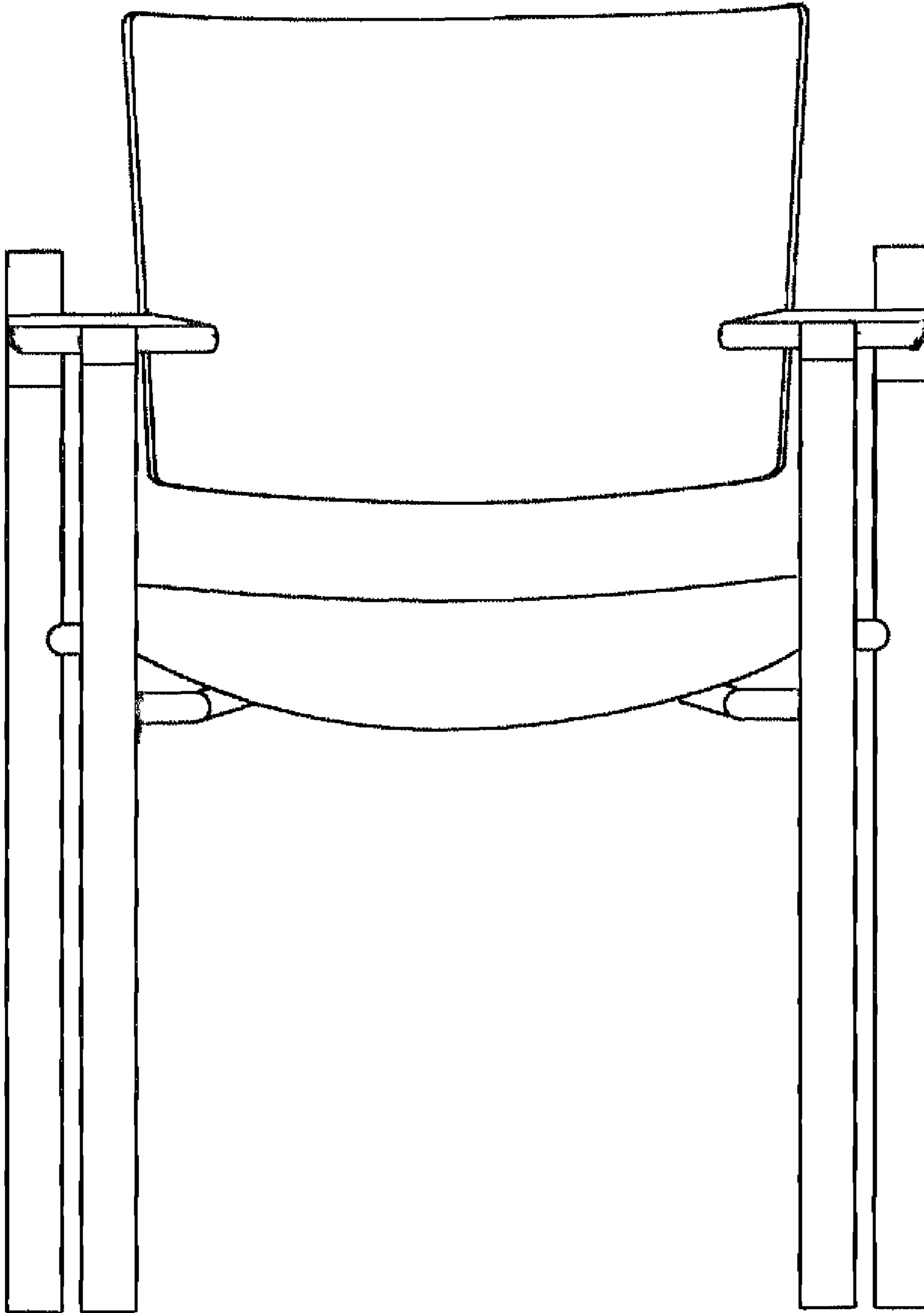


Fig. 3

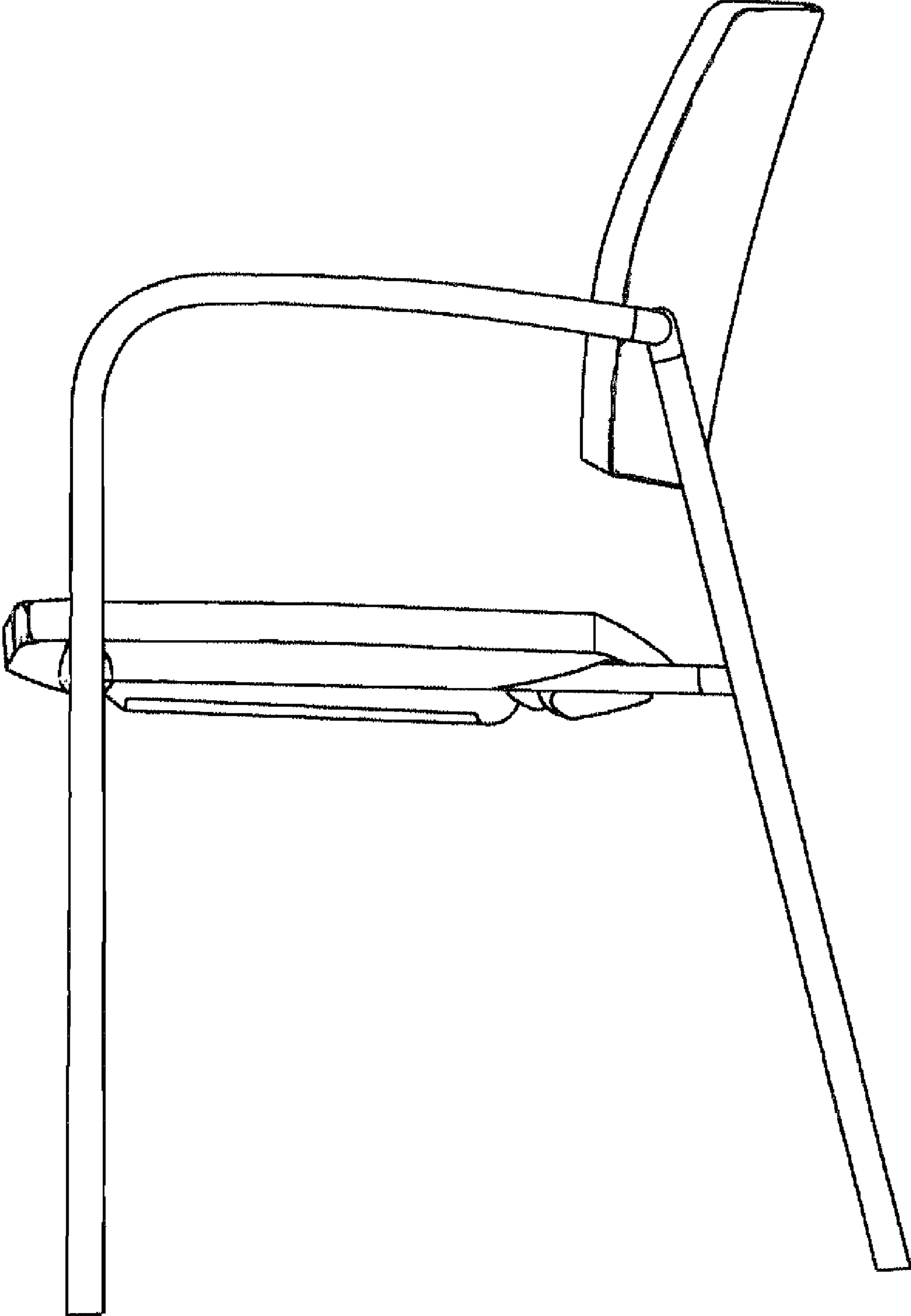


Fig. 4

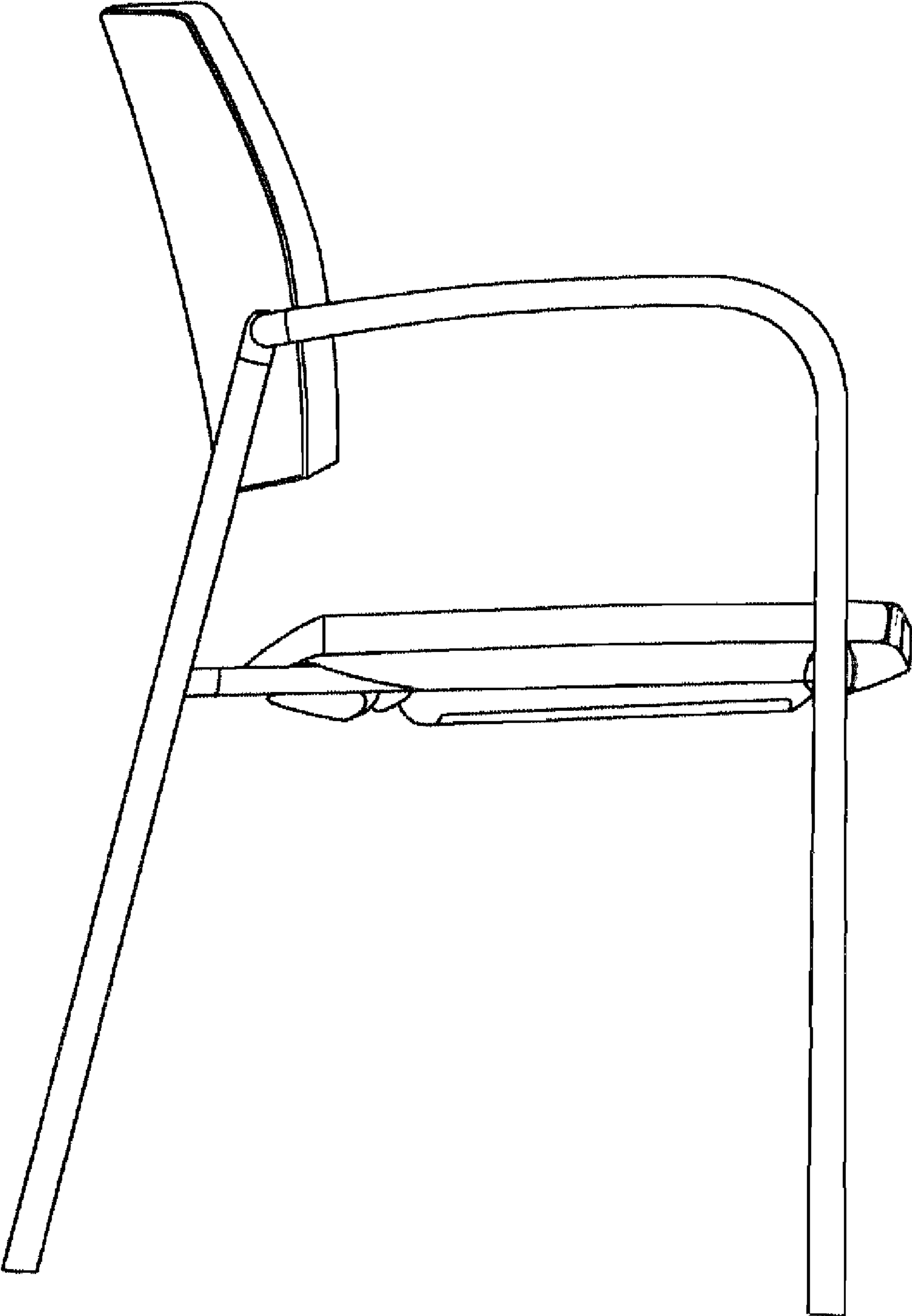


Fig. 5

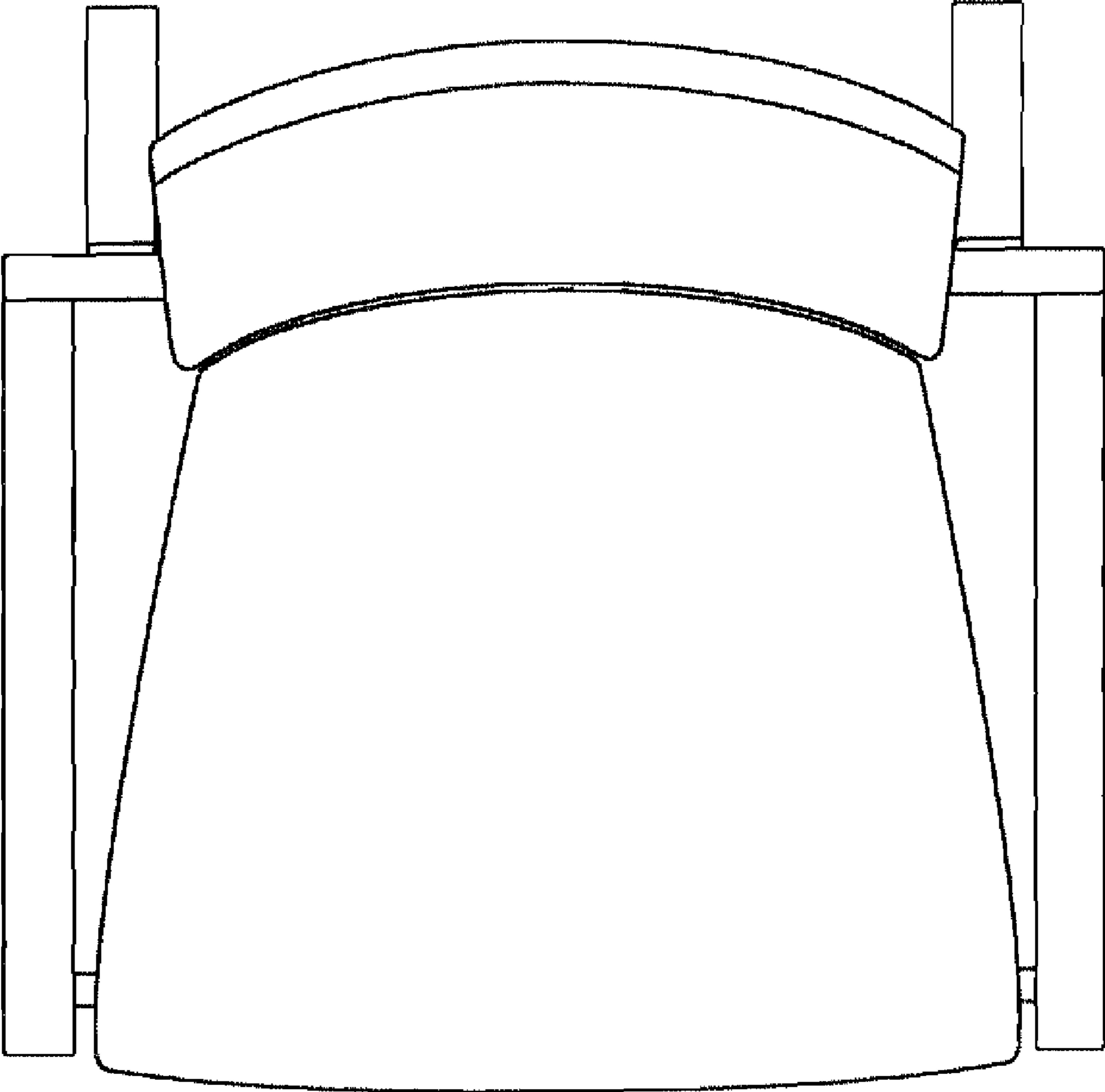


Fig. 6

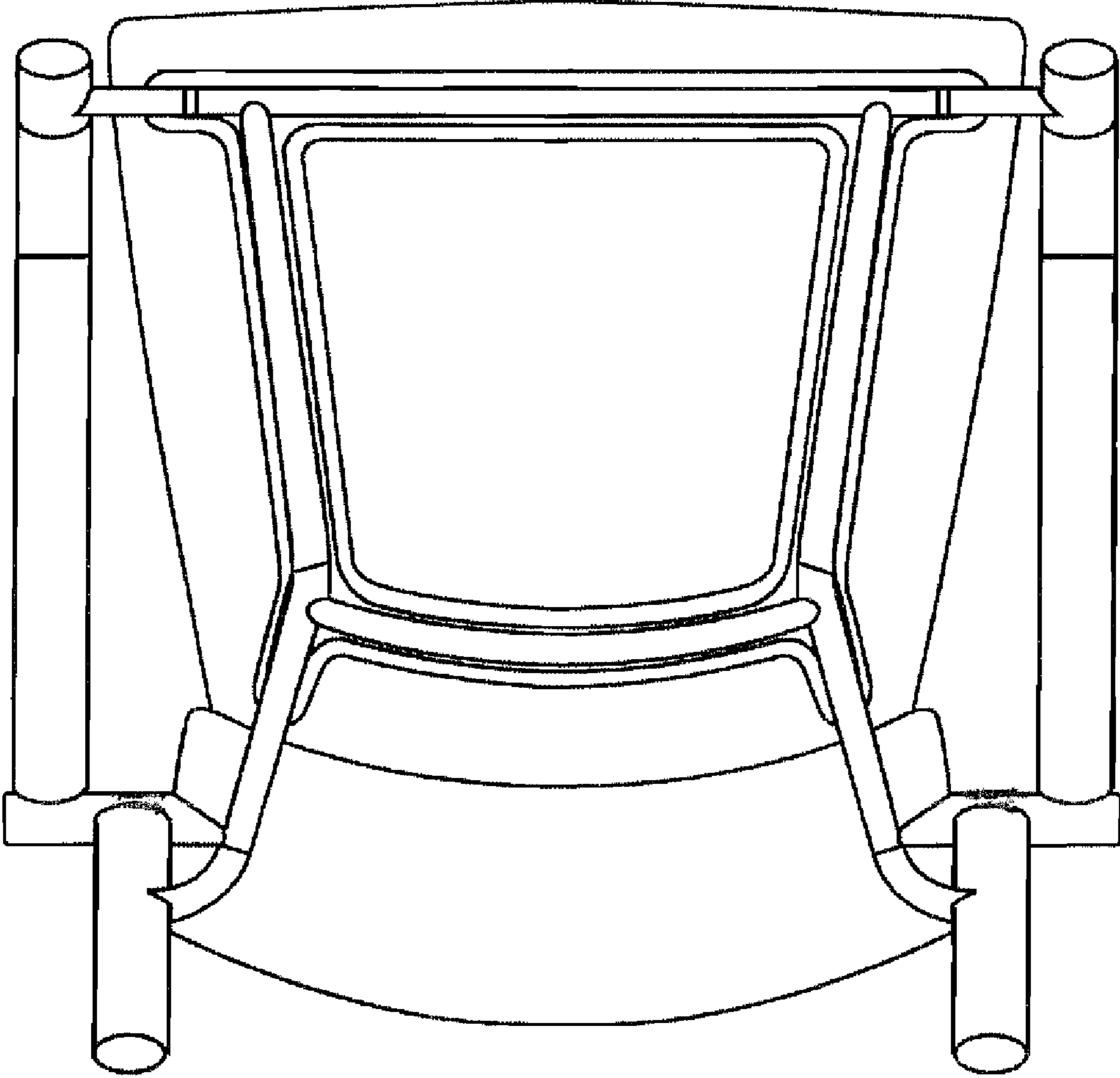


Fig. 7