

US00D547961S

(12) **United States Design Patent**
Hutton

(10) **Patent No.:** **US D547,961 S**

(45) **Date of Patent:** **** Aug. 7, 2007**

(54) **STACKABLE CHAIR**

(75) **Inventor:** **John Hutton**, deceased, late of West Islip, NY (US); by **John A. Hutton**, legal representative, Brooklyn, NY (US)

(73) **Assignee:** **David Sutherland, Inc.**, Dallas, TX (US)

(**) **Term:** **14 Years**

(21) **Appl. No.:** **29/267,563**

(22) **Filed:** **Oct. 17, 2006**

(51) **LOC (8) Cl.** **06-01**

(52) **U.S. Cl.** **D6/370**

(58) **Field of Classification Search** D6/334-336,
D6/369, 370, 374, 376, 379, 380, 500-502;
297/445.1, 446.1, 452.63, 239
See application file for complete search history.

(56) **References Cited**

U.S. PATENT DOCUMENTS

D338,346 S *	8/1993	Tihany	D6/370
D350,652 S *	9/1994	Wegener	D6/370
D371,913 S *	7/1996	Arcese et al.	D6/370
D375,636 S *	11/1996	Arcese et al.	D6/370
D404,585 S *	1/1999	De Blaay	D6/379
D420,825 S *	2/2000	Lin	D6/370
D426,716 S *	6/2000	Hutton	D6/370
D498,938 S *	11/2004	Kingsley et al.	D6/370
D513,900 S *	1/2006	Tseng	D6/370

* cited by examiner

Primary Examiner—Mimosa De

(74) *Attorney, Agent, or Firm*—Gardere Wynne Sewell LLP

(57) **CLAIM**

The ornamental design for a stackable chair, as shown and described.

DESCRIPTION

FIG. 1 is a perspective view of first embodiment of a stackable chair in accordance with the invention;

FIG. 2 is a front elevation view of the stackable chair shown in FIG. 1;

FIG. 3 is a rear elevation view of the stackable chair shown in FIG. 1;

FIG. 4 is a right side elevation view of the stackable chair shown in FIG. 1;

FIG. 5 is a left side elevation view of the stackable chair shown in FIG. 1;

FIG. 6 is a top plan view of the stackable chair shown in FIG. 1;

FIG. 7 is a bottom plan view of the stackable chair shown in FIG. 1;

FIG. 8 is a perspective view of a second embodiment of a stackable chair in accordance with the invention;

FIG. 9 is a rear elevation view of the stackable chair shown in FIG. 8;

FIG. 10 is a front elevation view of the stackable chair shown in FIG. 8;

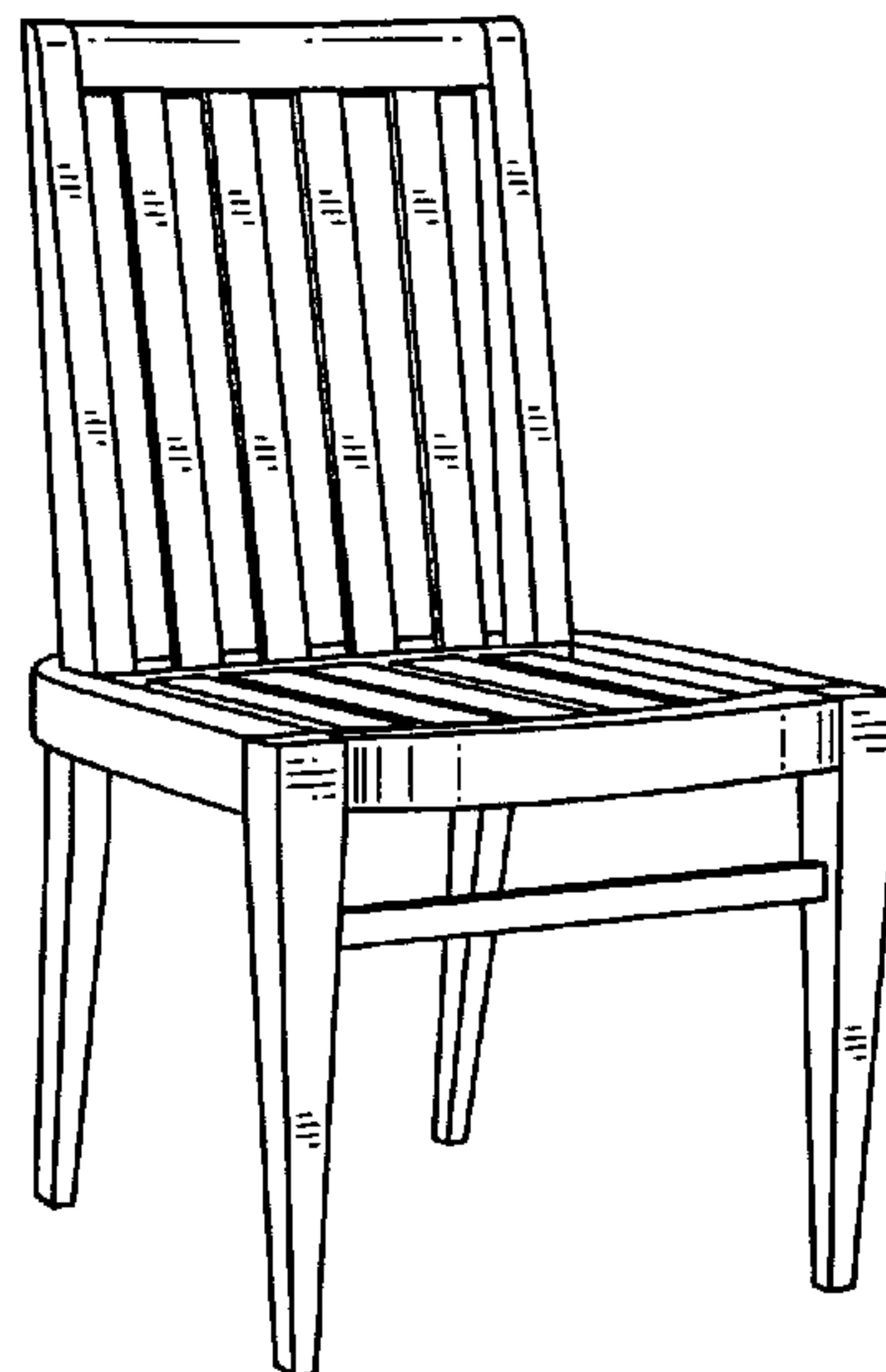
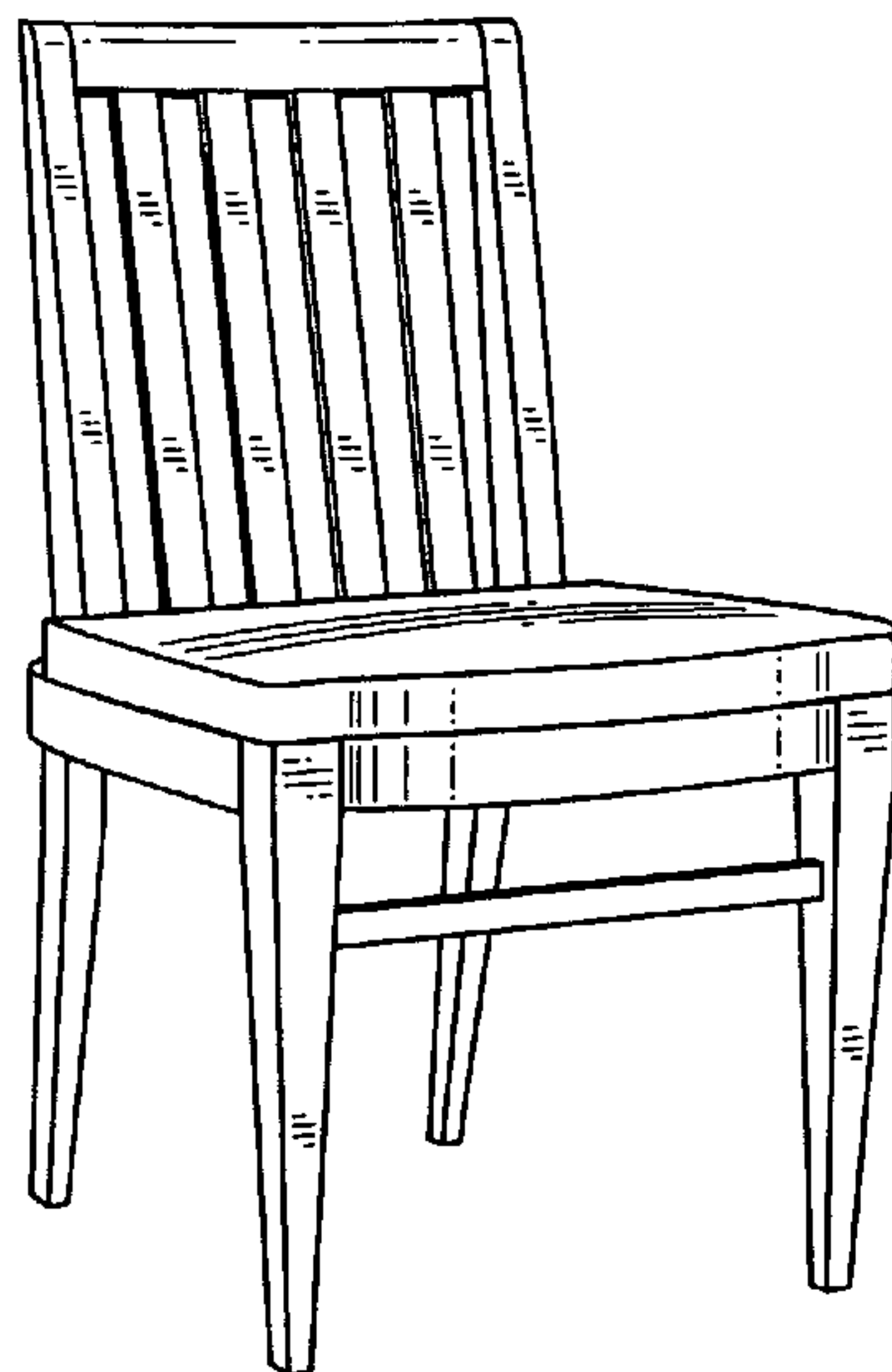
FIG. 11 is a right side elevation view of the stackable chair shown in FIG. 8;

FIG. 12 is a left side elevation view of the stackable chair shown in FIG. 8;

FIG. 13 is a top plan view of the stackable chair shown in FIG. 8; and,

FIG. 14 is a bottom plan view of the stackable chair shown in FIG. 8.

1 Claim, 6 Drawing Sheets



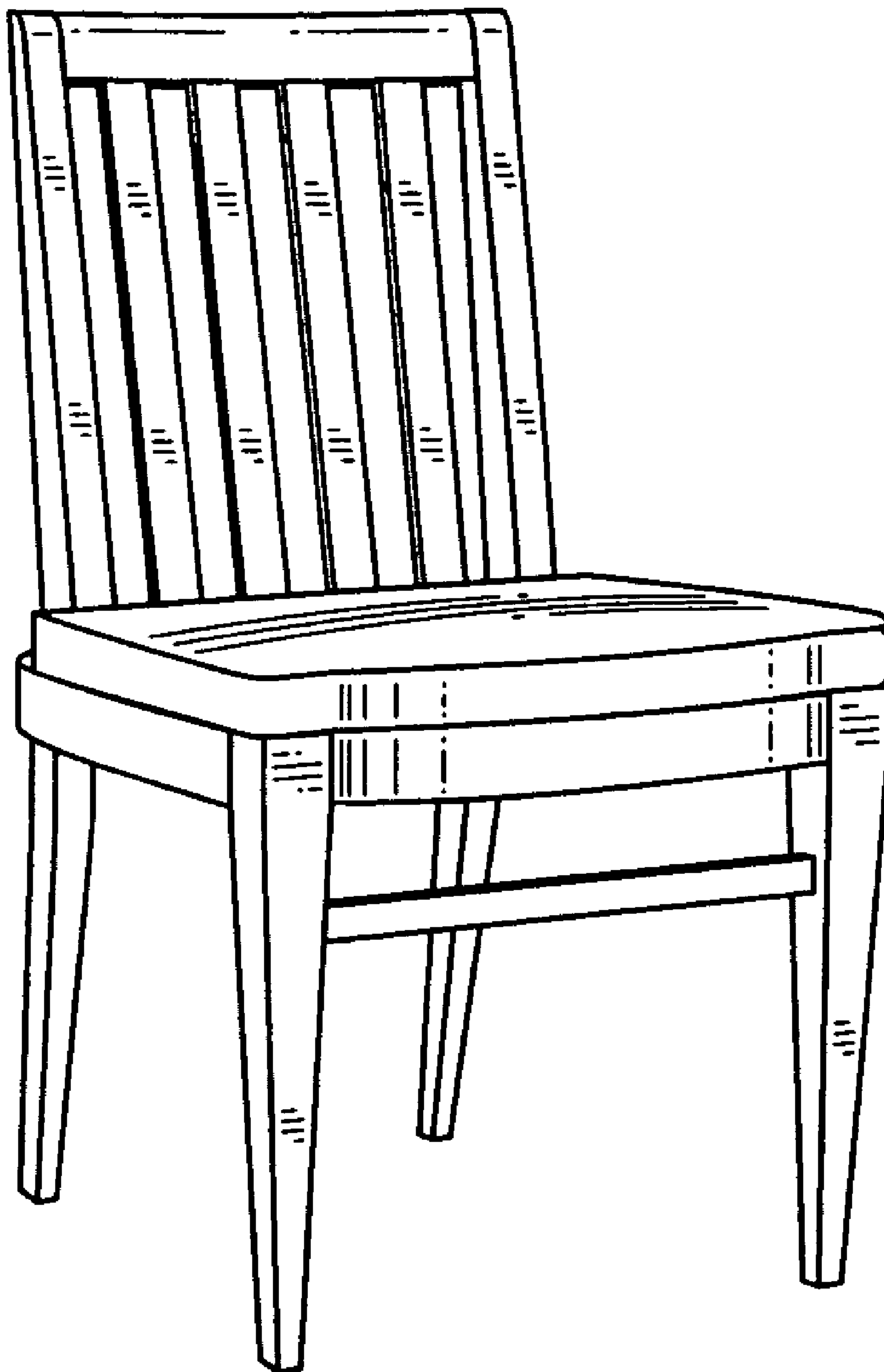


FIG. 1

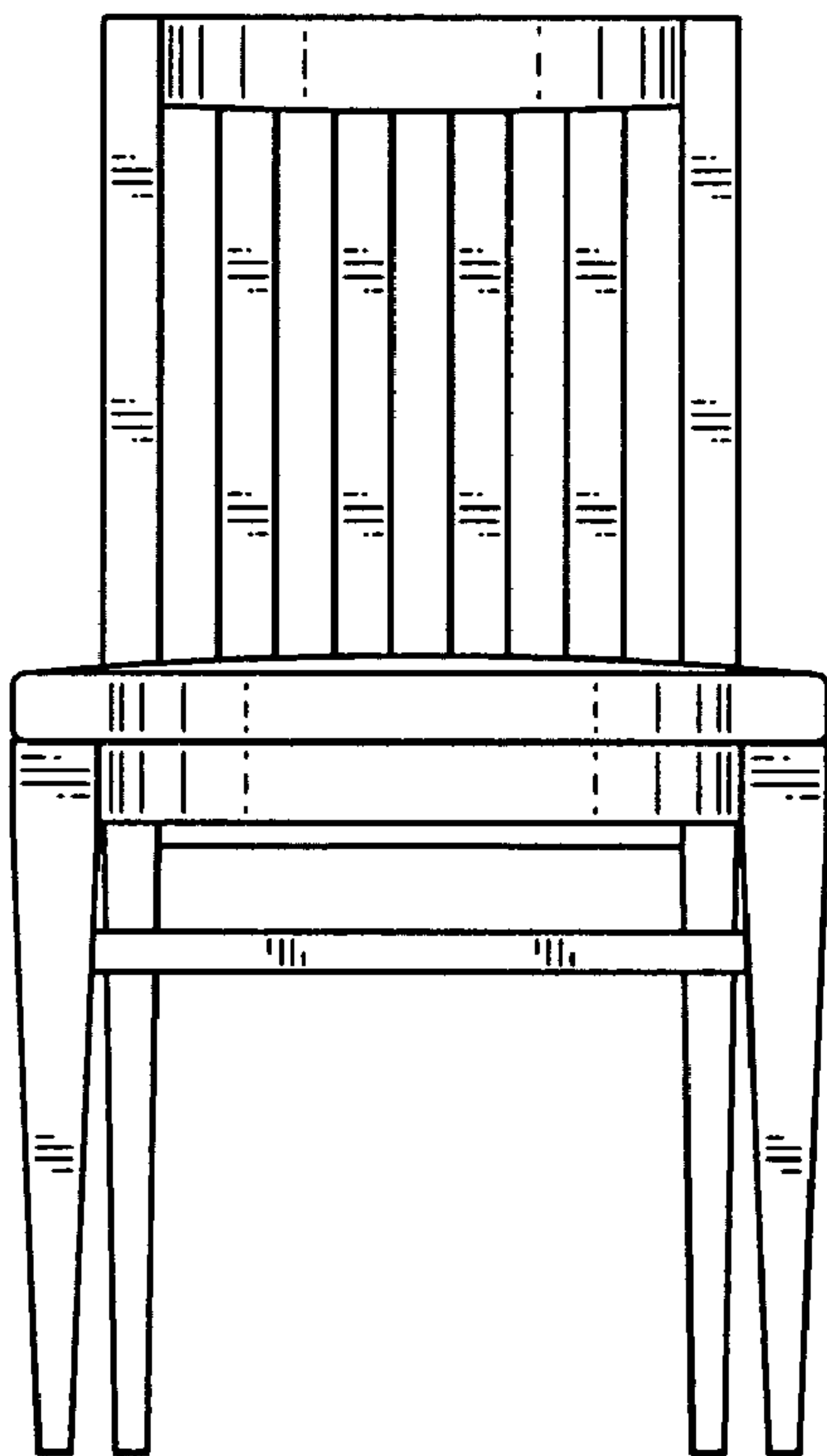


FIG. 2

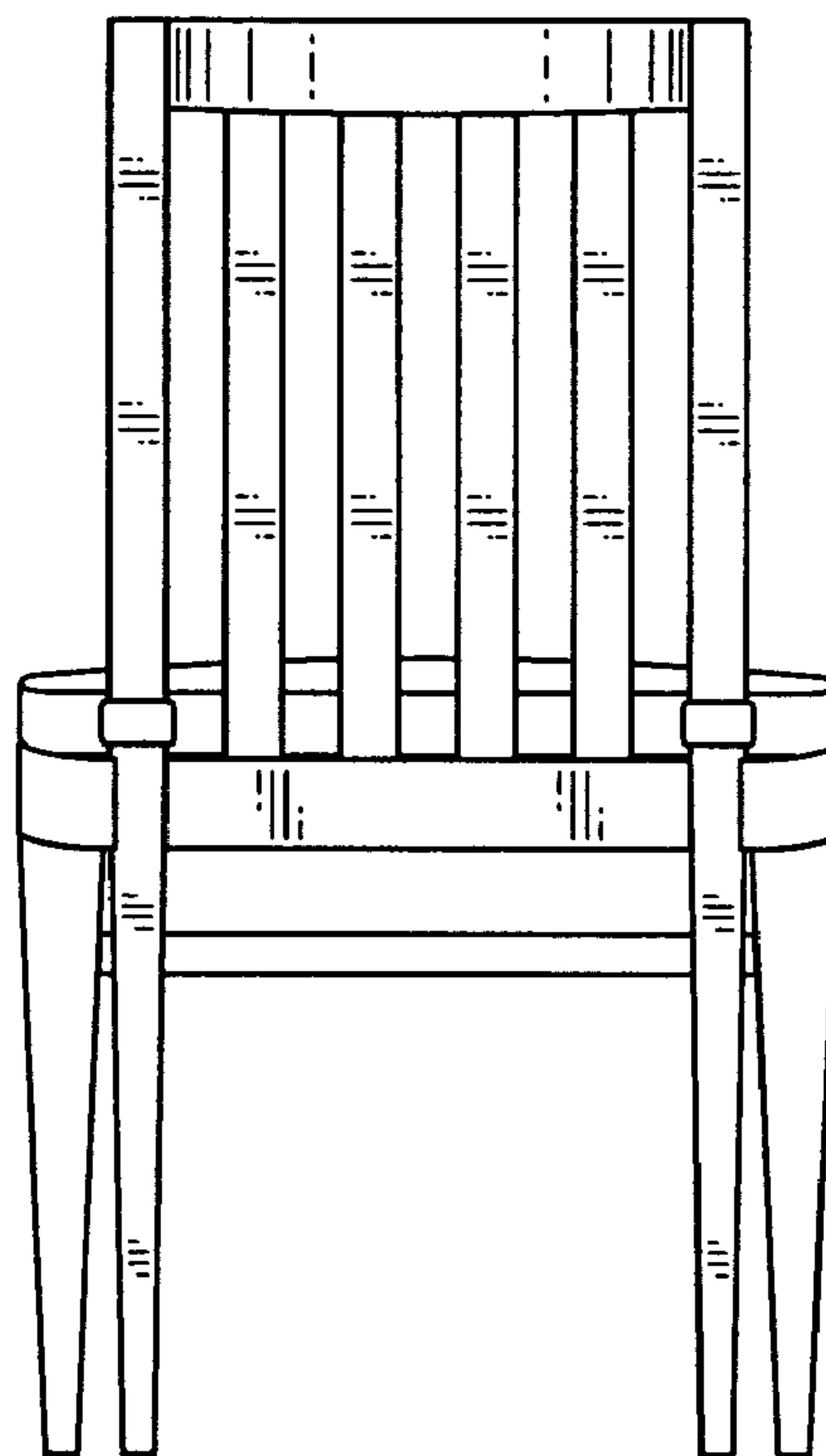


FIG. 3

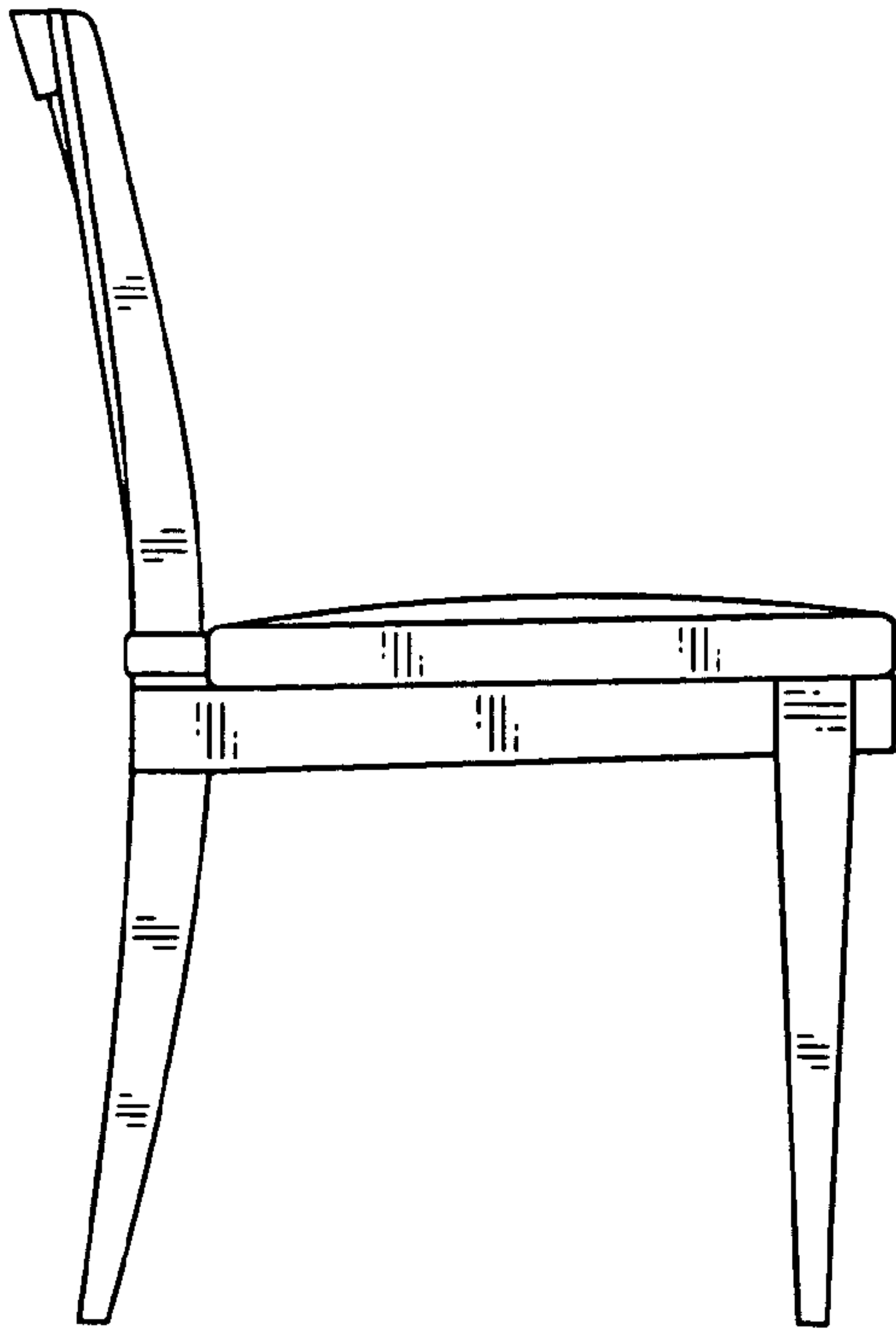


FIG. 4

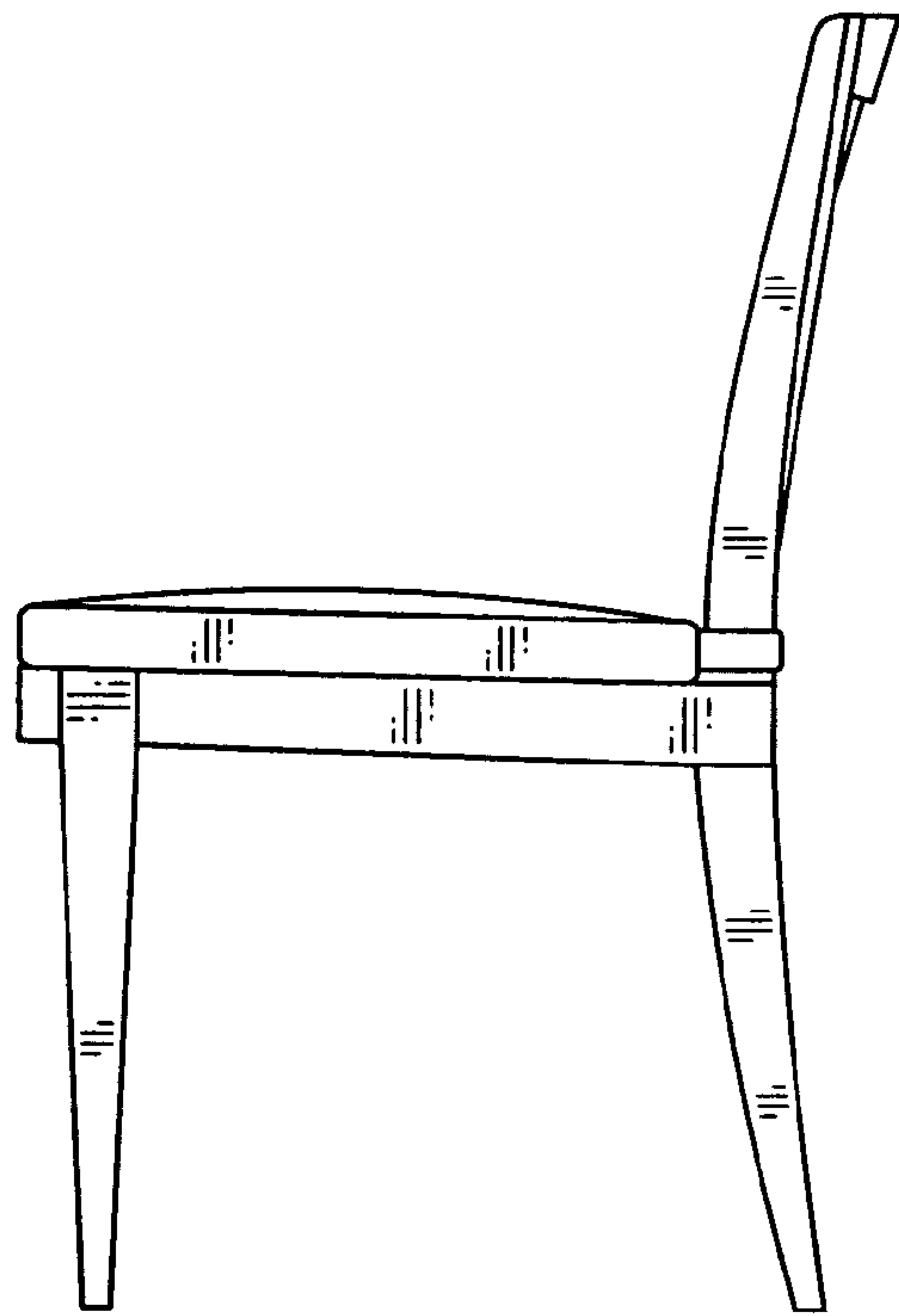


FIG. 5

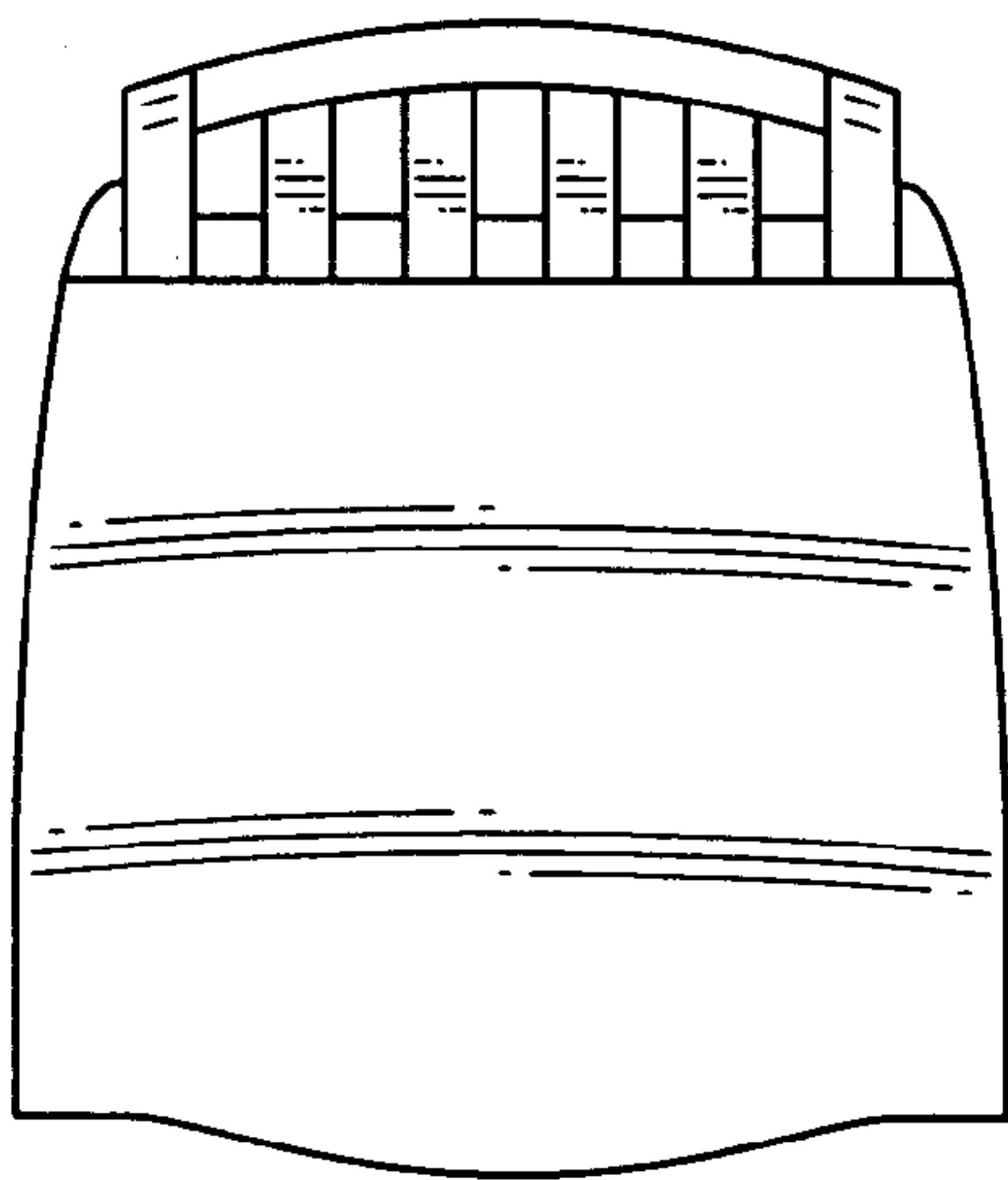


FIG. 6

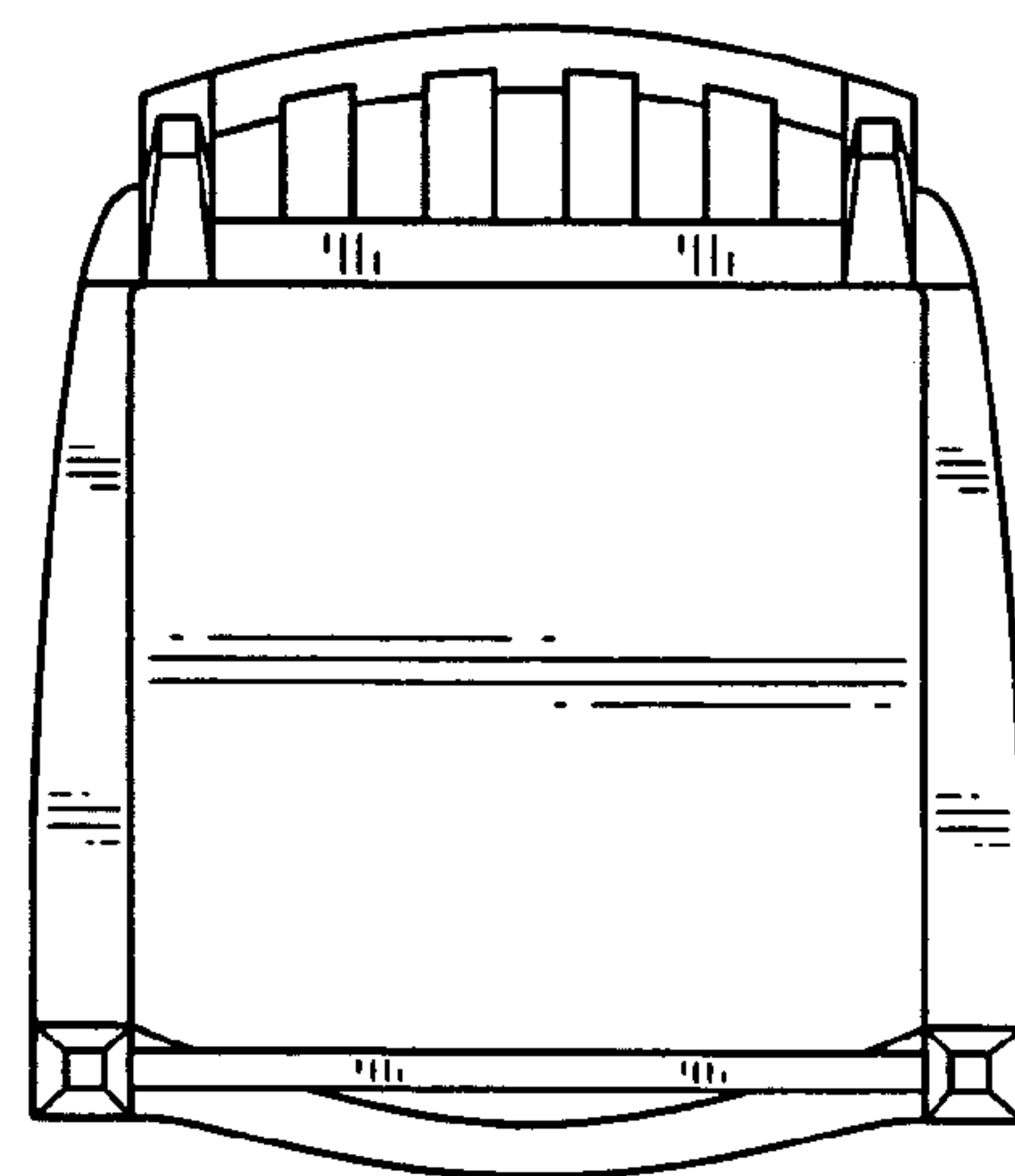


FIG. 7

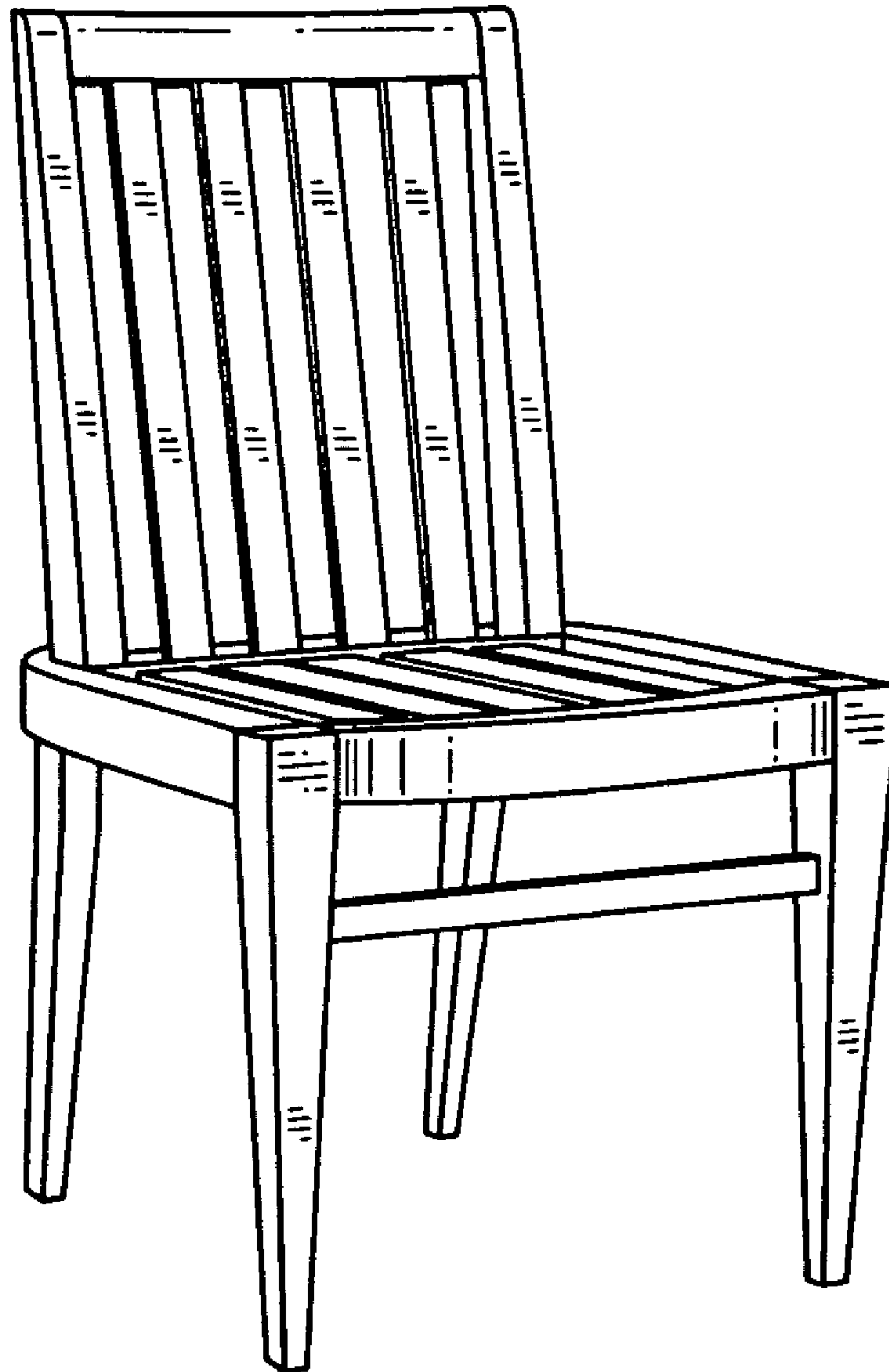


FIG. 8

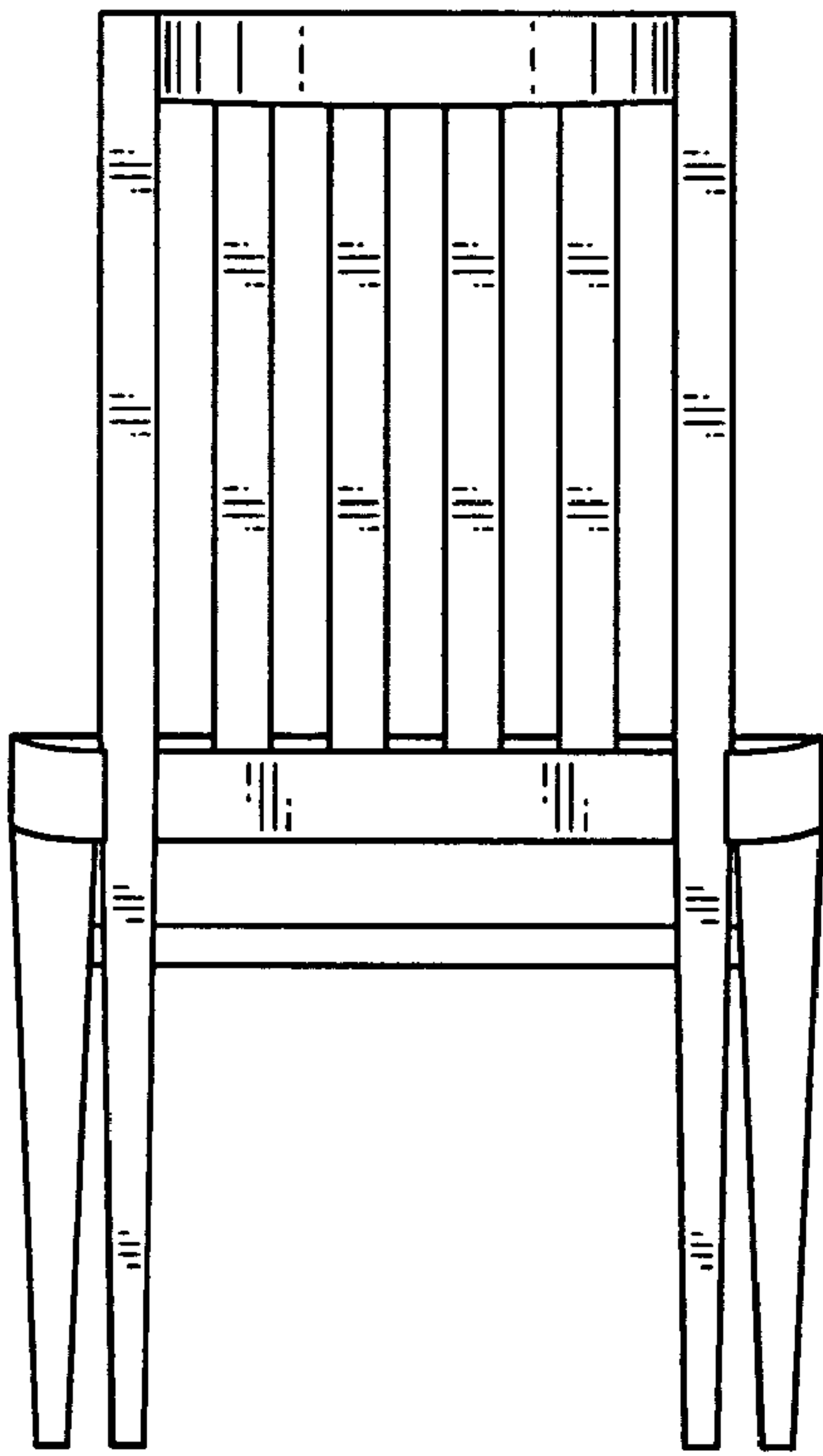


FIG. 9

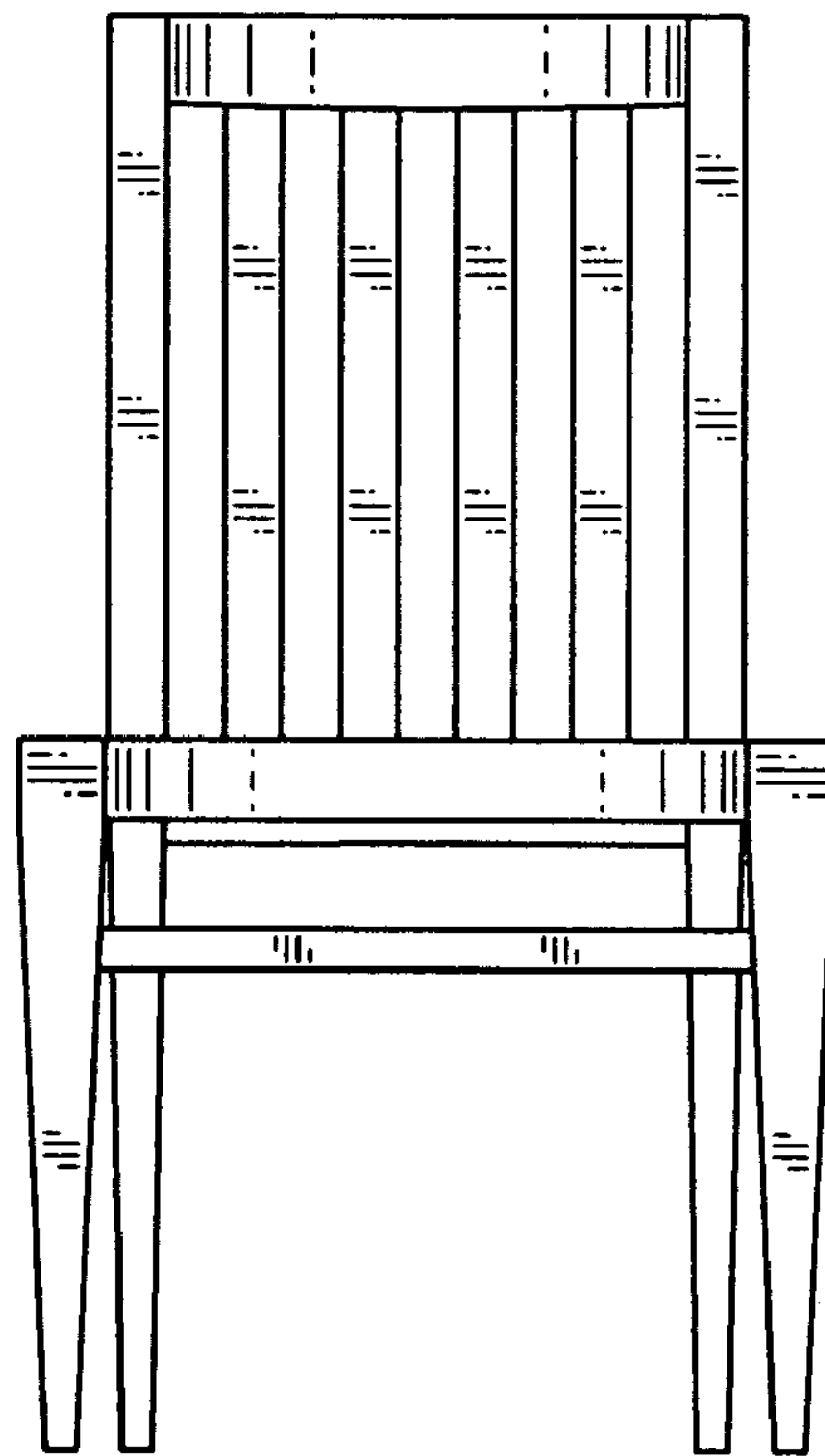


FIG. 10

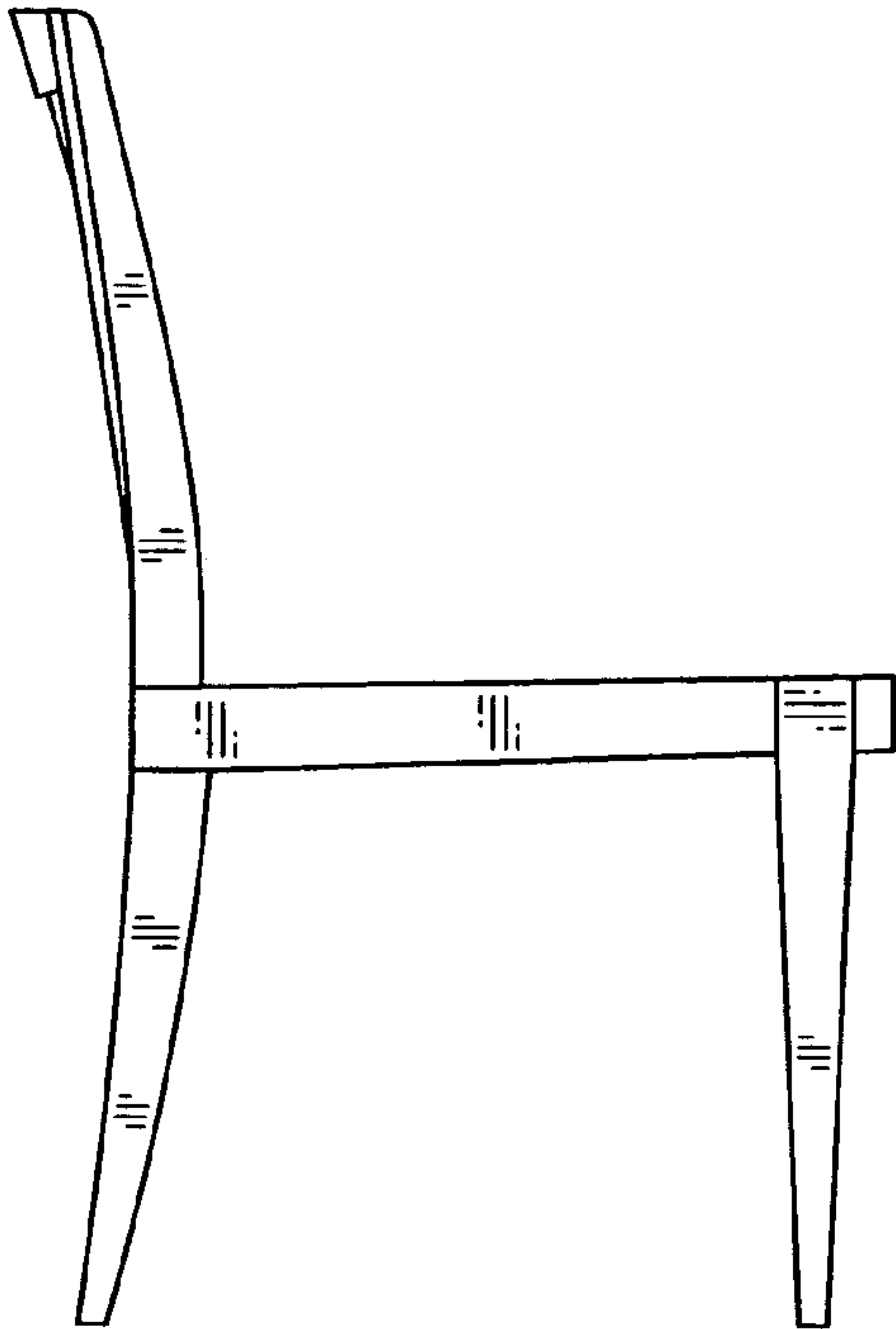


FIG. 11

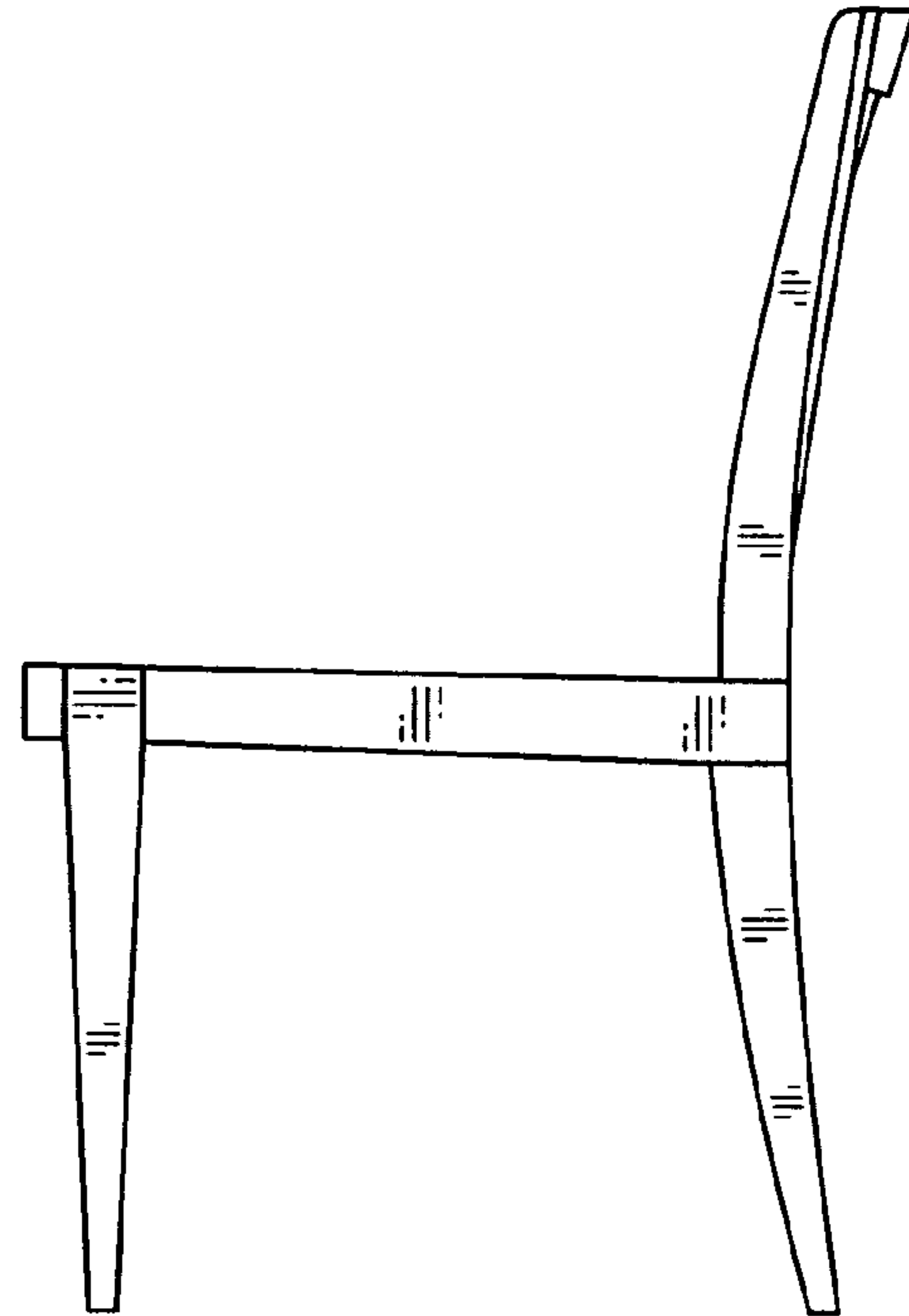


FIG. 12

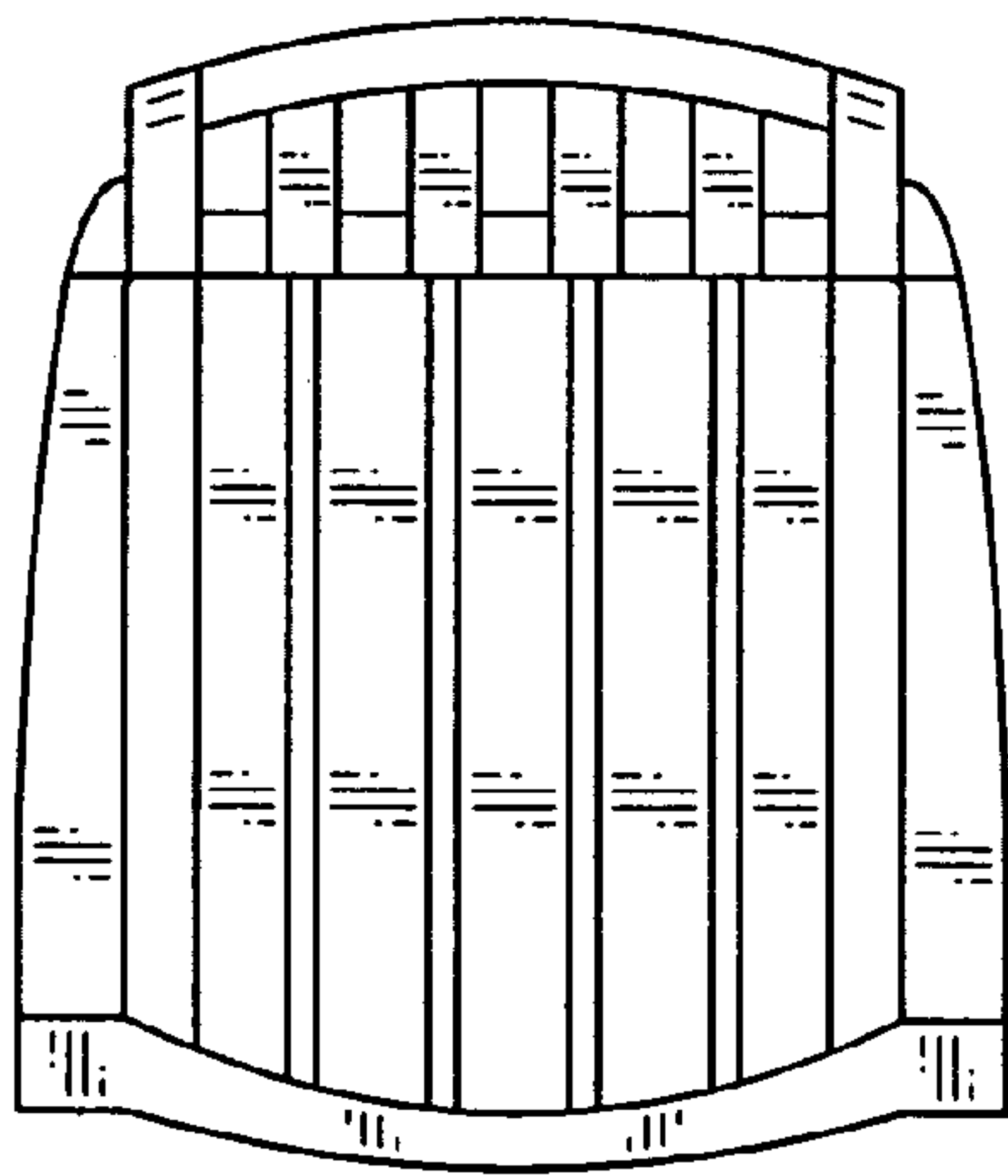


FIG. 13

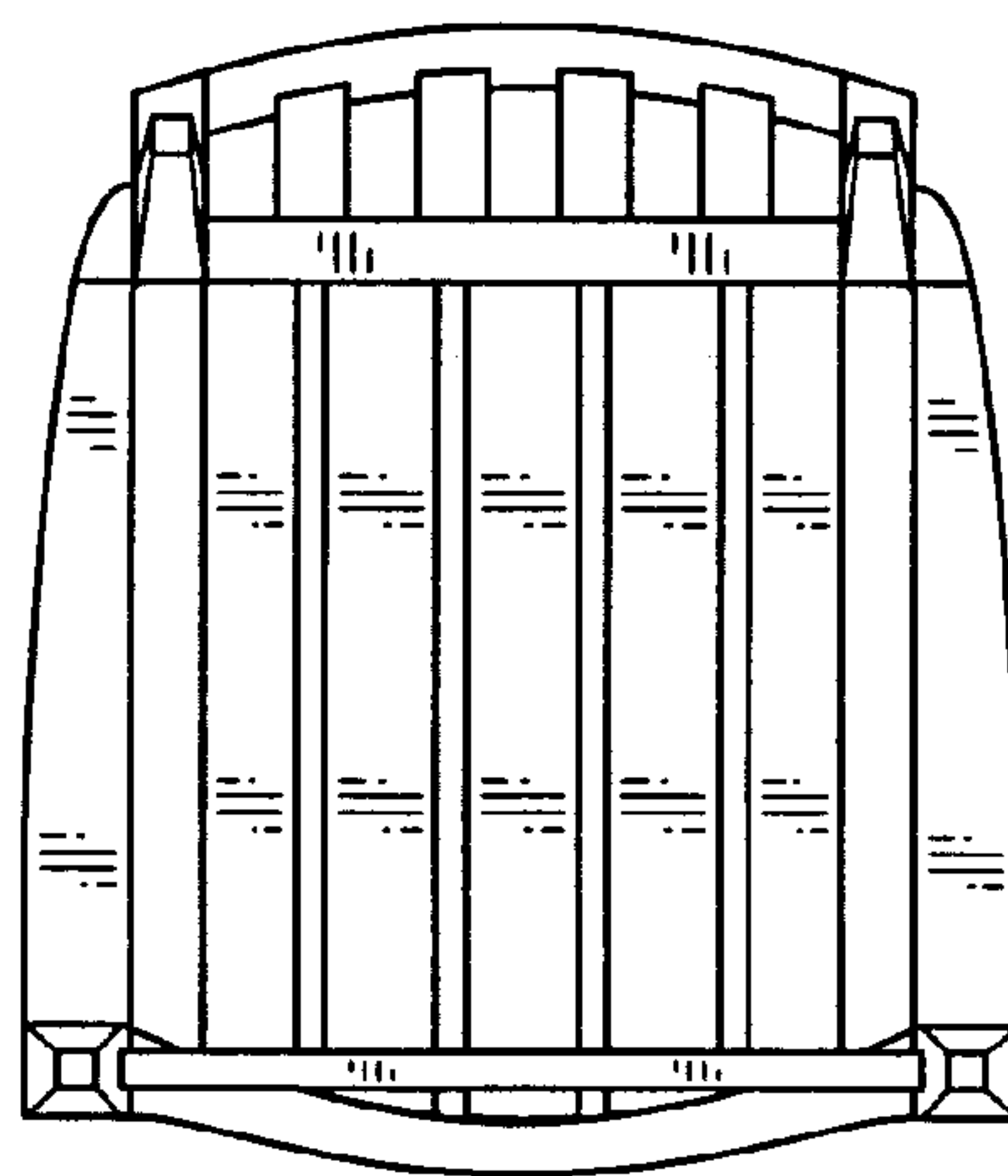


FIG. 14