

US00D547960S

(12) **United States Design Patent** (10) **Patent No.:** **US D547,960 S**
Nelson, Sr. (45) **Date of Patent:** **** Aug. 7, 2007**

(54) **CHAIR FRAME**

Primary Examiner—Mimosa De

(76) Inventor: **Jim C. Nelson, Sr.**, 231 S. First Ave.,
Cleveland, MS (US) 38732-3205

(57) **CLAIM**

(**) Term: **14 Years**

The ornamental design for a chair frame, as shown and described.

(21) Appl. No.: **29/258,509**

(22) Filed: **Apr. 21, 2006**

(51) **LOC (8) Cl.** **06-01**

(52) **U.S. Cl.** **D6/368**

(58) **Field of Classification Search** D6/334–336,
D6/367, 368, 371–373, 374, 375, 500–502;
224/122 R; 297/4, 29, 16.1, 31, 129, 183.5,
297/252, 378.1

See application file for complete search history.

DESCRIPTION

A chair frame for a low-to-the-ground hunting chair or the like, that can be used as a back pack frame, etc., and that has a movable back member which can be fixed in place by leaning against a tree or the like.

(56) **References Cited**

U.S. PATENT DOCUMENTS

2,459,843	A *	1/1949	Scholander	244/122 R
2,571,282	A *	10/1951	Newton et al.	297/252
2,943,672	A *	7/1960	Hook et al.	297/31
4,541,666	A *	9/1985	Vanderminden	297/16.1
4,925,239	A *	5/1990	Powers	297/29
D332,010	S *	12/1992	Powers	D6/336
D346,280	S *	4/1994	Metter	D6/368
D388,968	S *	1/1998	de Visser	D6/368

OTHER PUBLICATIONS

GCI Outdoor, EveRest Recliner, www.gcioutdoor.com/products_everest.htm (date unknown), U.S.A.

* cited by examiner

FIG. 1 is a perspective view of a chair frame, showing a preferred embodiment of my new design.

FIG. 2 is a reduced front elevational view of the chair frame of FIG. 1, the rear elevation being a mirror image of the front elevation.

FIG. 3 is a reduced right side elevation of the chair frame of FIG. 1, the left side elevation being a mirror image thereof.

FIG. 4 is a reduced top plan view of the chair frame of FIG. 1; and,

FIG. 5 is a reduced bottom plan view of the chair frame of FIG. 1.

Environmental structure, including portions of webbing, is shown in broken lines in FIG. 1 for illustrative purposes only and forms no part of the claimed design.

1 Claim, 2 Drawing Sheets

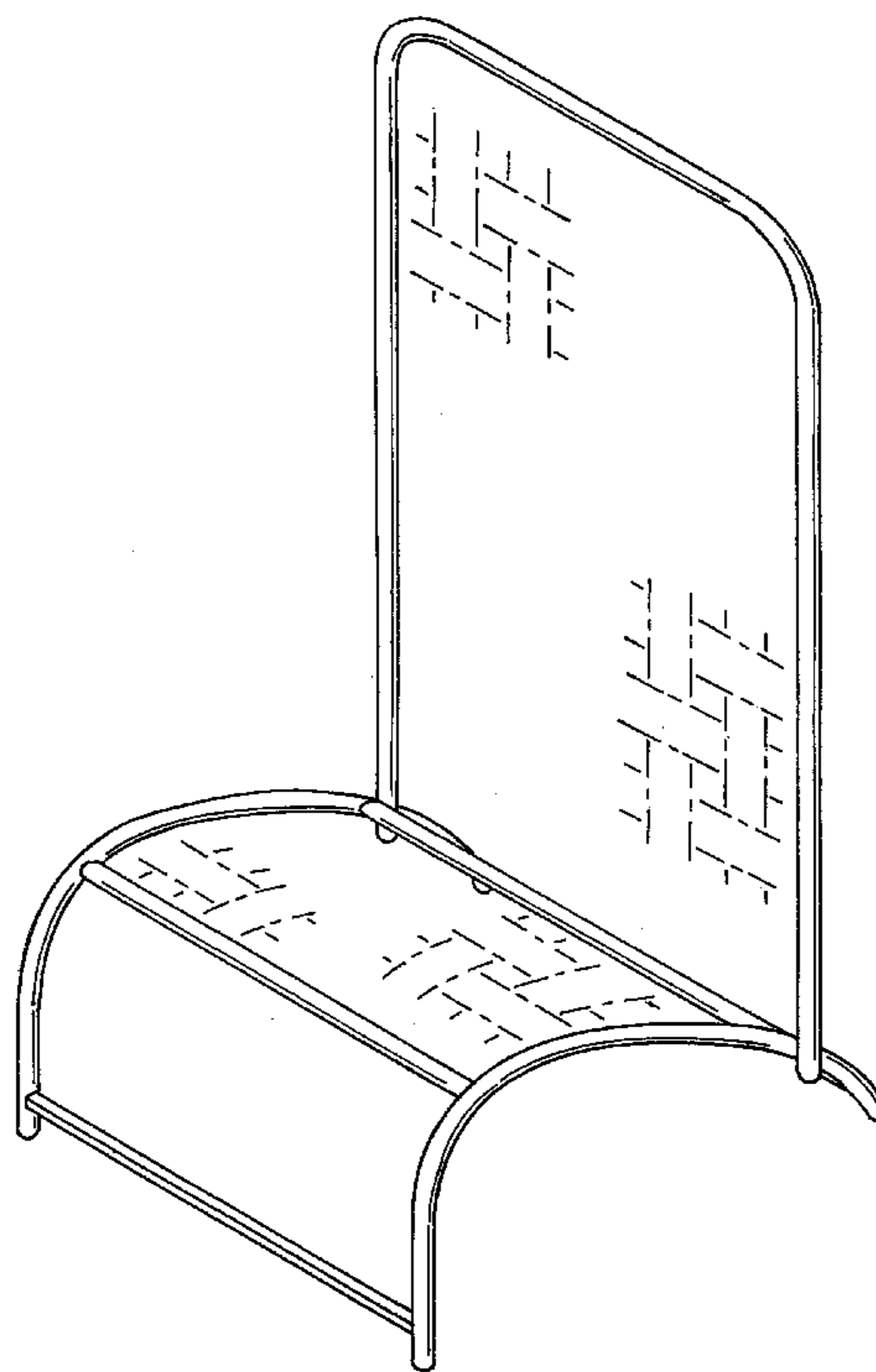


FIG. 1

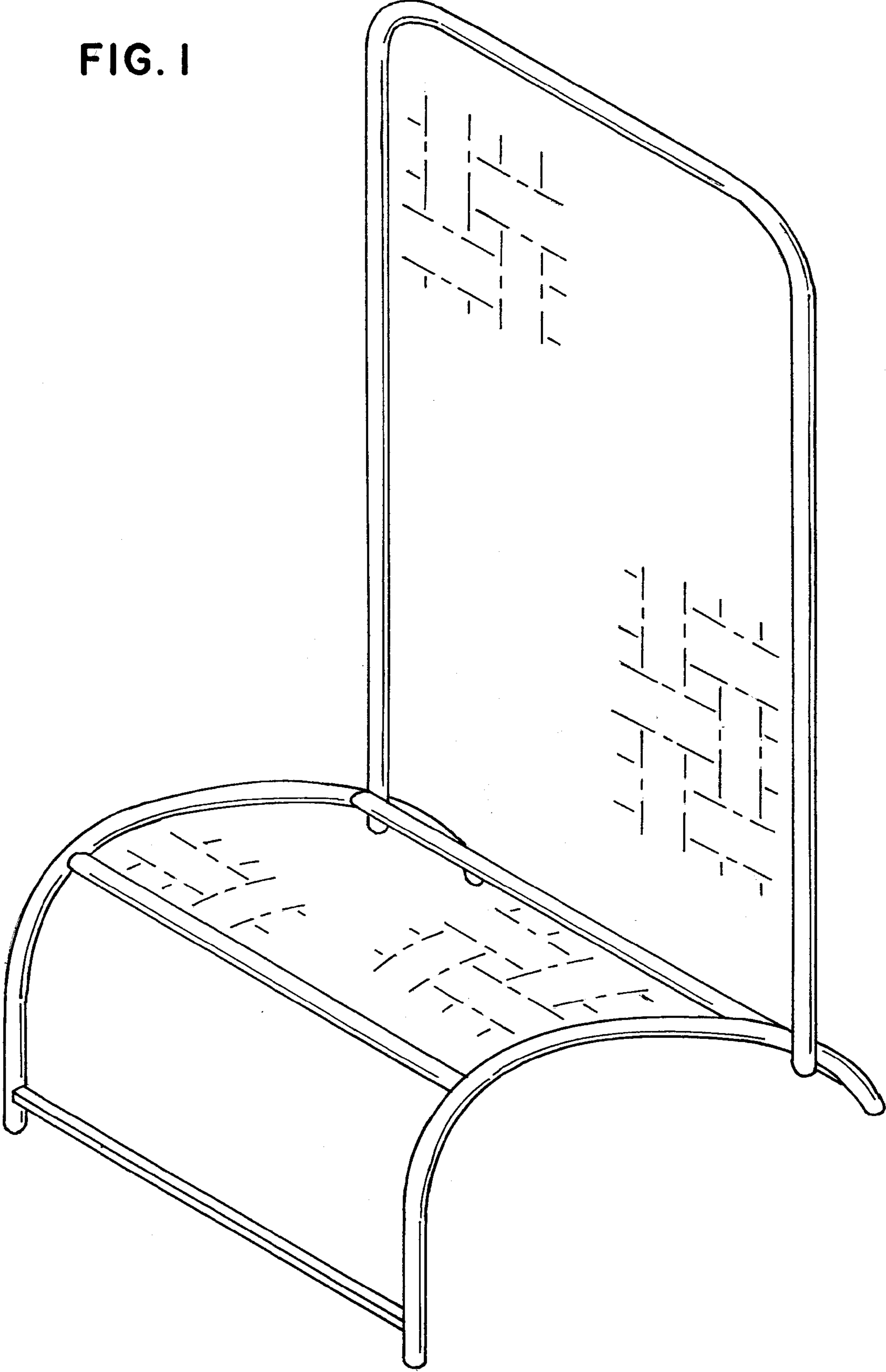


FIG. 2

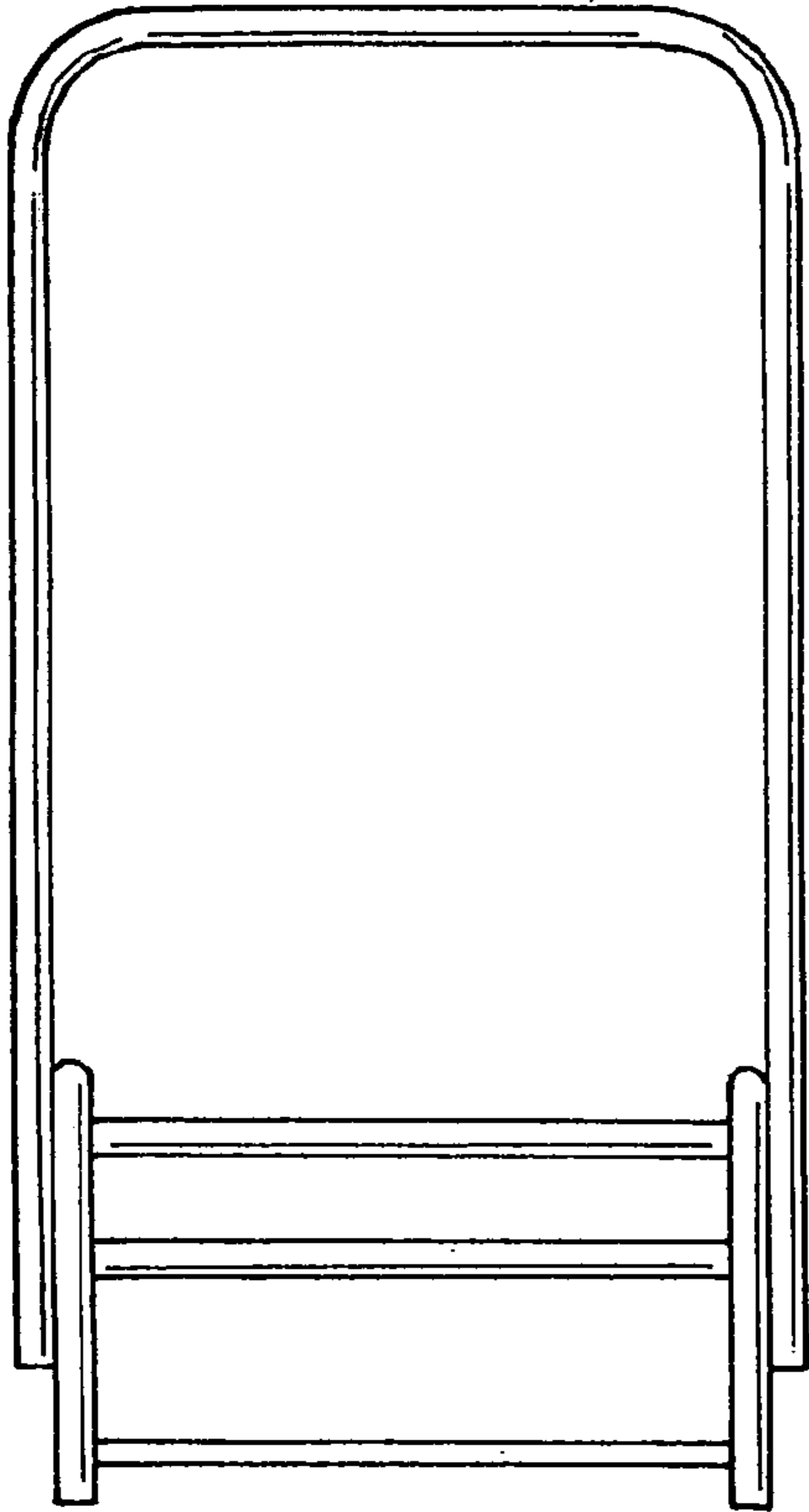


FIG. 3

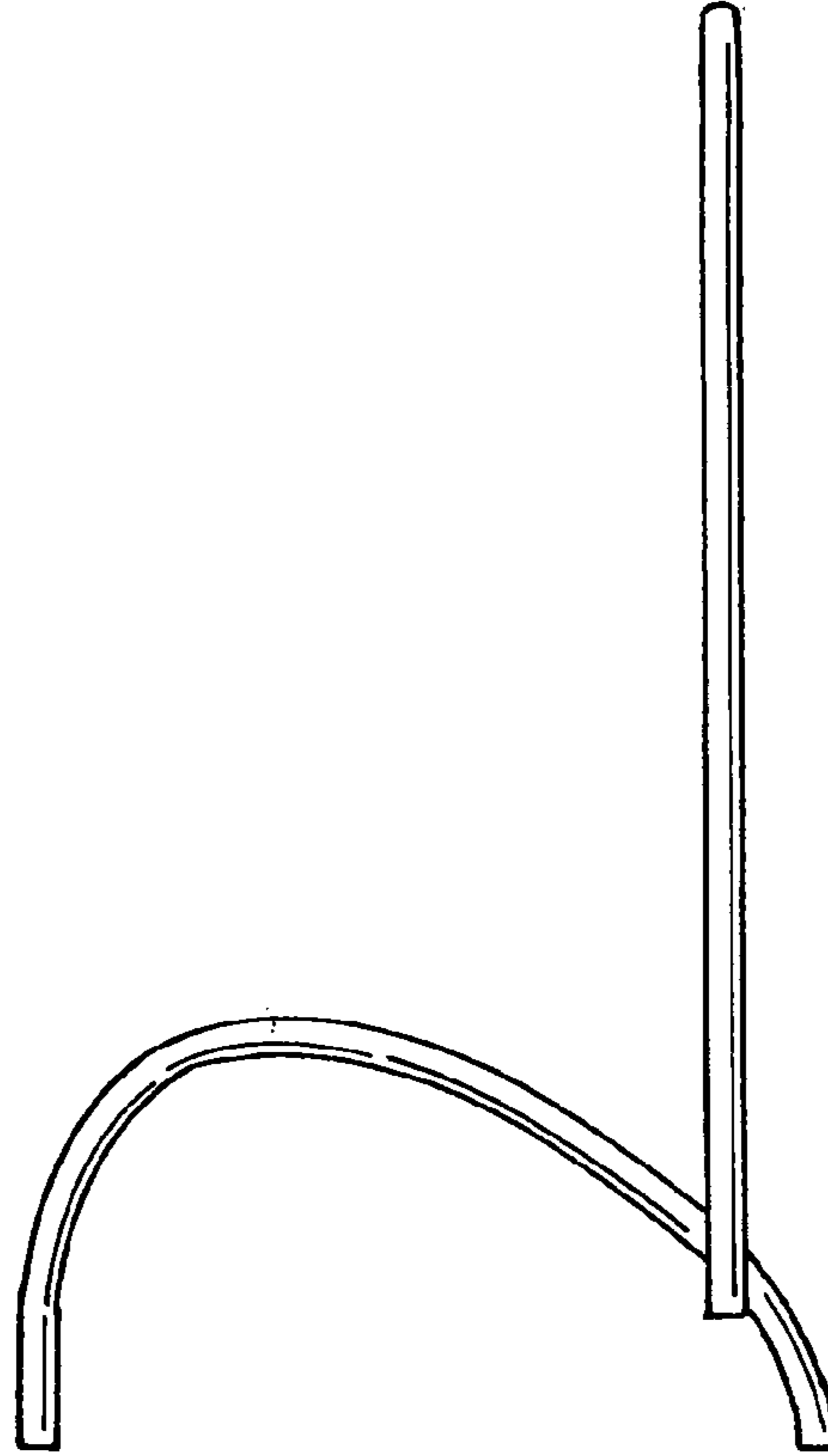


FIG. 4

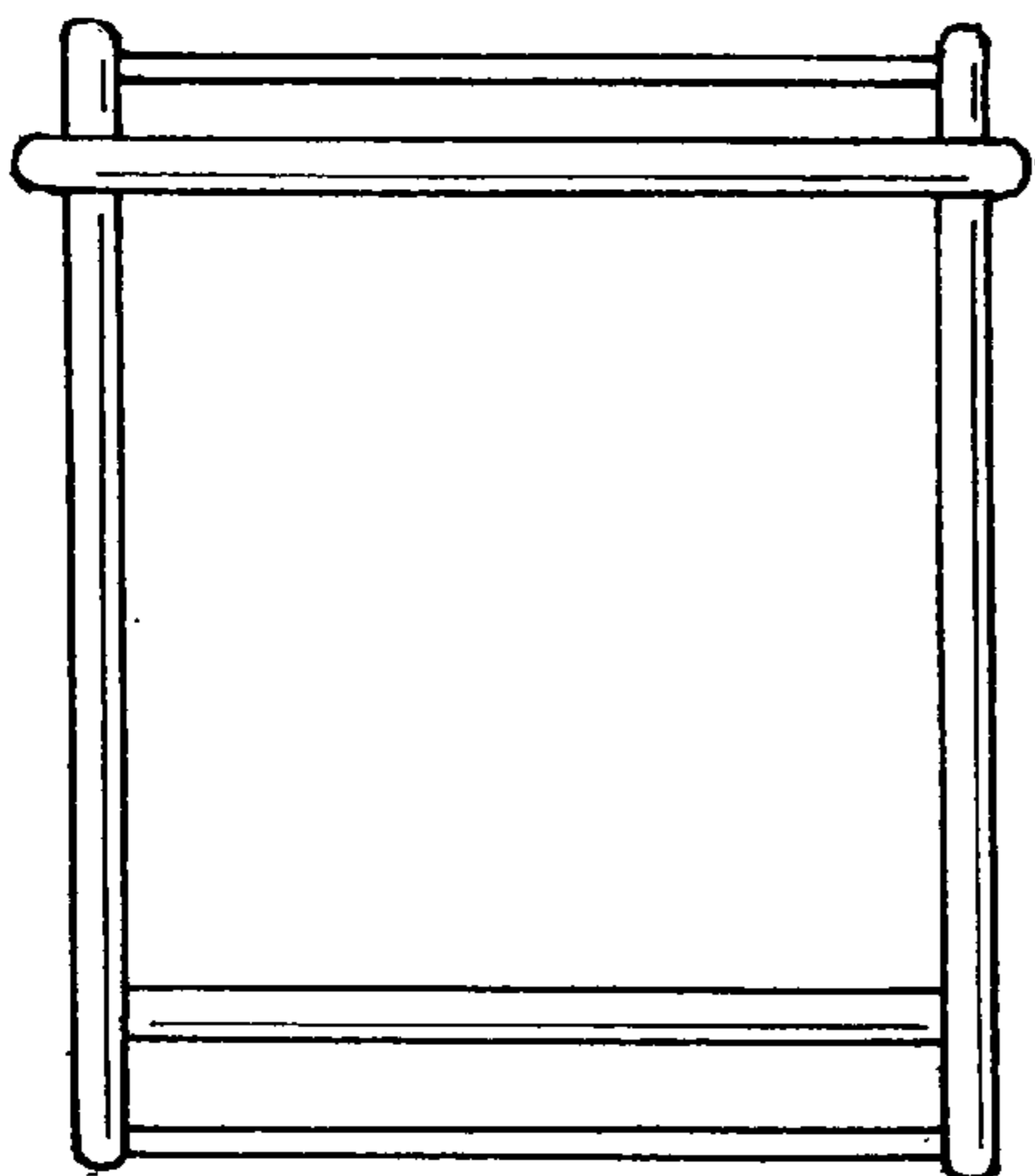


FIG. 5

